

TORQUE AND CURRENT VS SPEED CURVE

Three Phase Induction Motor - Squirrel Cage



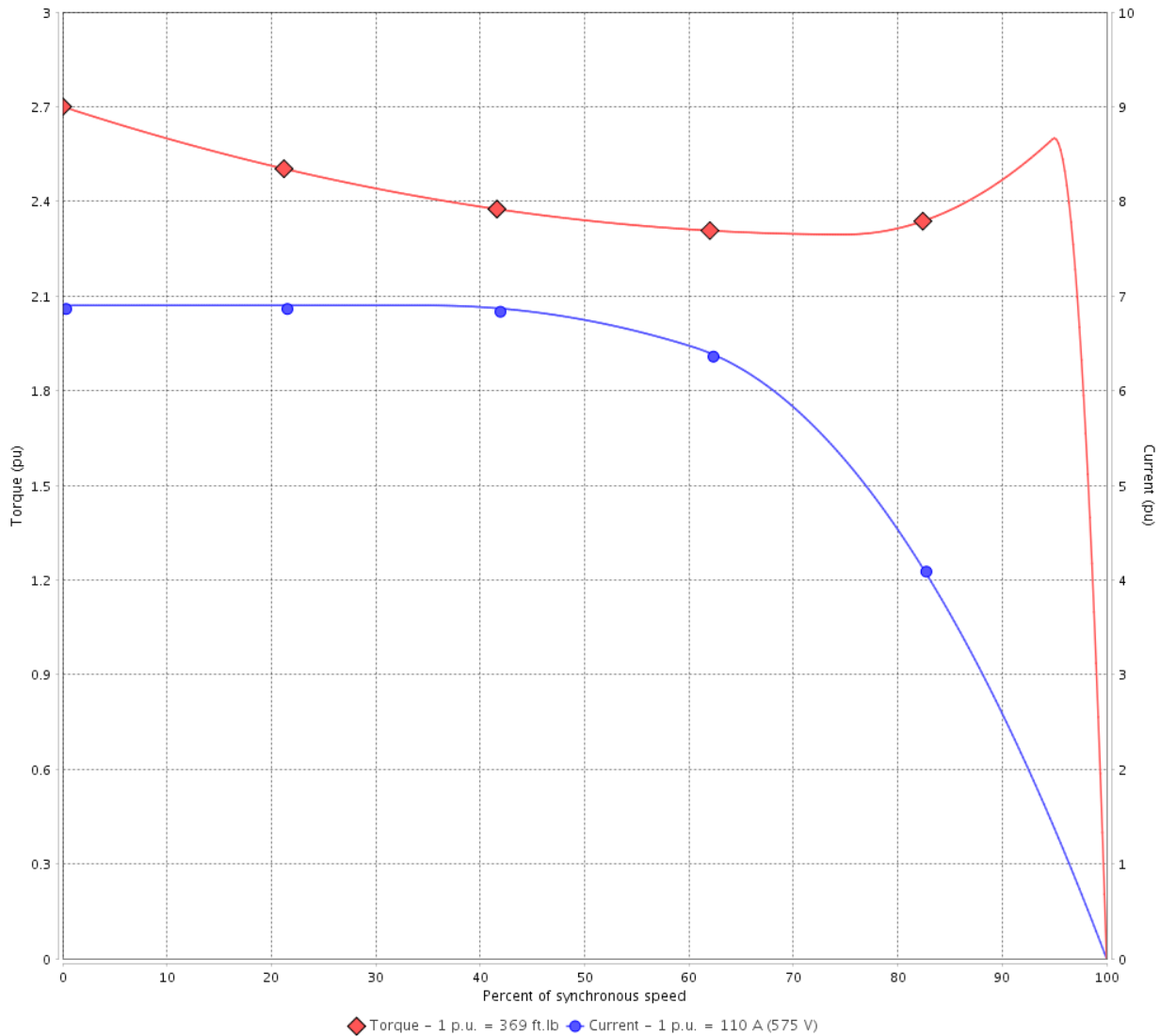
Customer :

Product line : W40 NEMA Premium Efficiency
Three-Phase

Product code : 14272886

Catalog # : 12518OT3H405TC-W40

TORQUE AND CURRENT VS SPEED CURVE



Performance : 575 V 60 Hz 4P

Rated current	: 110 A	Moment of inertia (J)	: 25.5 sq.ft.lb
LRC	: 6.9	Duty cycle	: Cont.(S1)
Rated torque	: 369 ft.lb	Insulation class	: F
Locked rotor torque	: 270 %	Service factor	: 1.25
Breakdown torque	: 260 %	Temperature rise	: 80 K
Rated speed	: 1780 rpm	Design	: B

Locked rotor time : 18s (cold) 10s (hot)

Rev.	Changes Summary	Performed	Checked	Date
Performed by			Page 2 / 6	Revision
Checked by				
Date	13/04/2022			

LOAD PERFORMANCE CURVE

Three Phase Induction Motor - Squirrel Cage

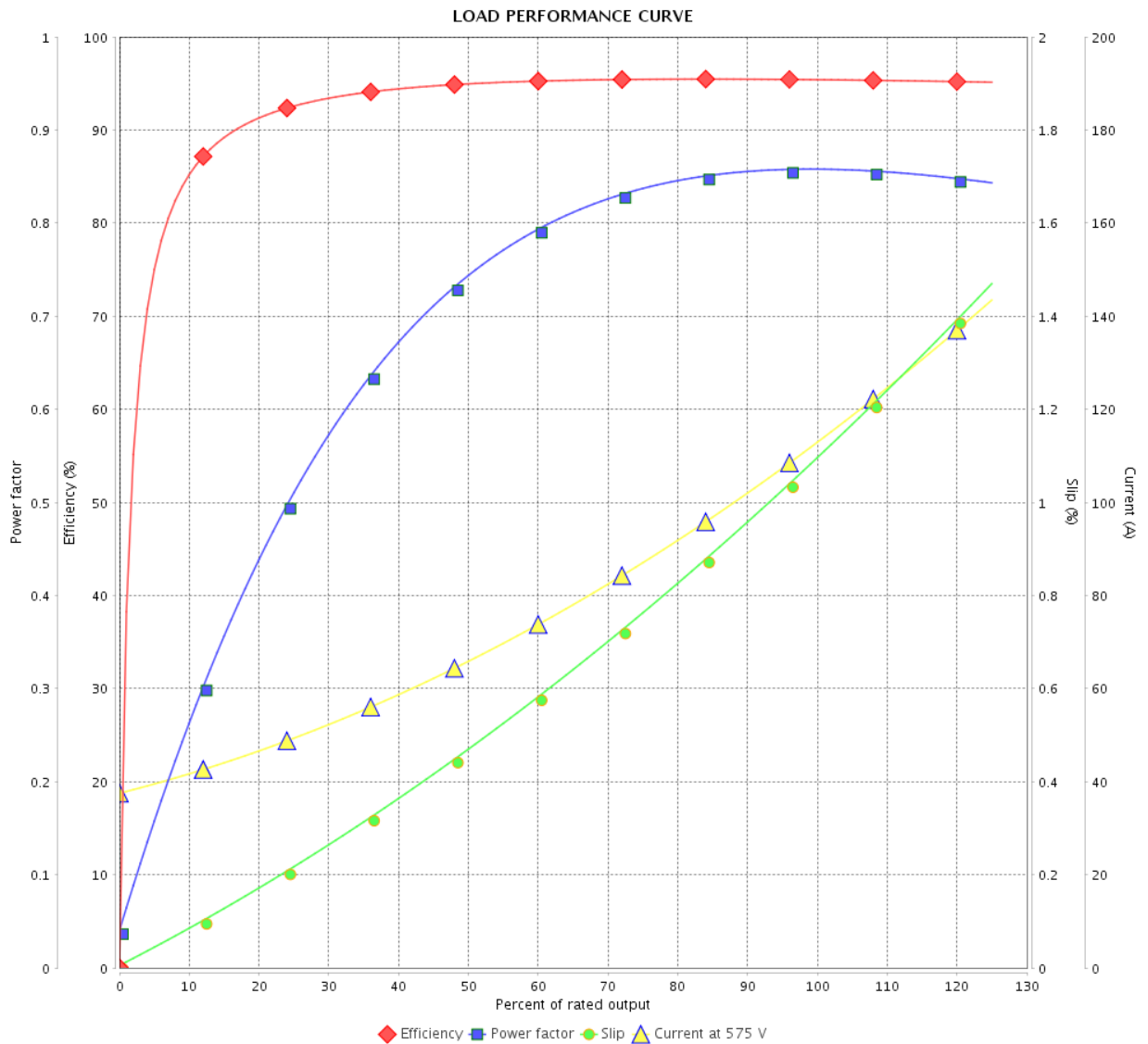


Customer : _____

Product line : W40 NEMA Premium Efficiency
Three-Phase

Product code : 14272886

Catalog # : 12518OT3H405TC-W40



Performance : 575 V 60 Hz 4P

Rated current : 110 A
 LRC : 6.9
 Rated torque : 369 ft.lb
 Locked rotor torque : 270 %
 Breakdown torque : 260 %
 Rated speed : 1780 rpm

Moment of inertia (J) : 25.5 sq.ft.lb
 Duty cycle : Cont.(S1)
 Insulation class : F
 Service factor : 1.25
 Temperature rise : 80 K
 Design : B

Rev.	Changes Summary	Performed	Checked	Date
Performed by		Page		Revision
Checked by		3 / 6		
Date		13/04/2022		

THERMAL LIMIT CURVE



Three Phase Induction Motor - Squirrel Cage

Customer :

Product line : W40 NEMA Premium Efficiency
Three-Phase

Product code : 14272886

Catalog # : 12518OT3H405TC-W40

Performance : 575 V 60 Hz 4P

Rated current : 110 A	Moment of inertia (J) : 25.5 sq.ft.lb
LRC : 6.9	Duty cycle : Cont.(S1)
Rated torque : 369 ft.lb	Insulation class : F
Locked rotor torque : 270 %	Service factor : 1.25
Breakdown torque : 260 %	Temperature rise : 80 K
Rated speed : 1780 rpm	Design : B

Heating constant

Cooling constant

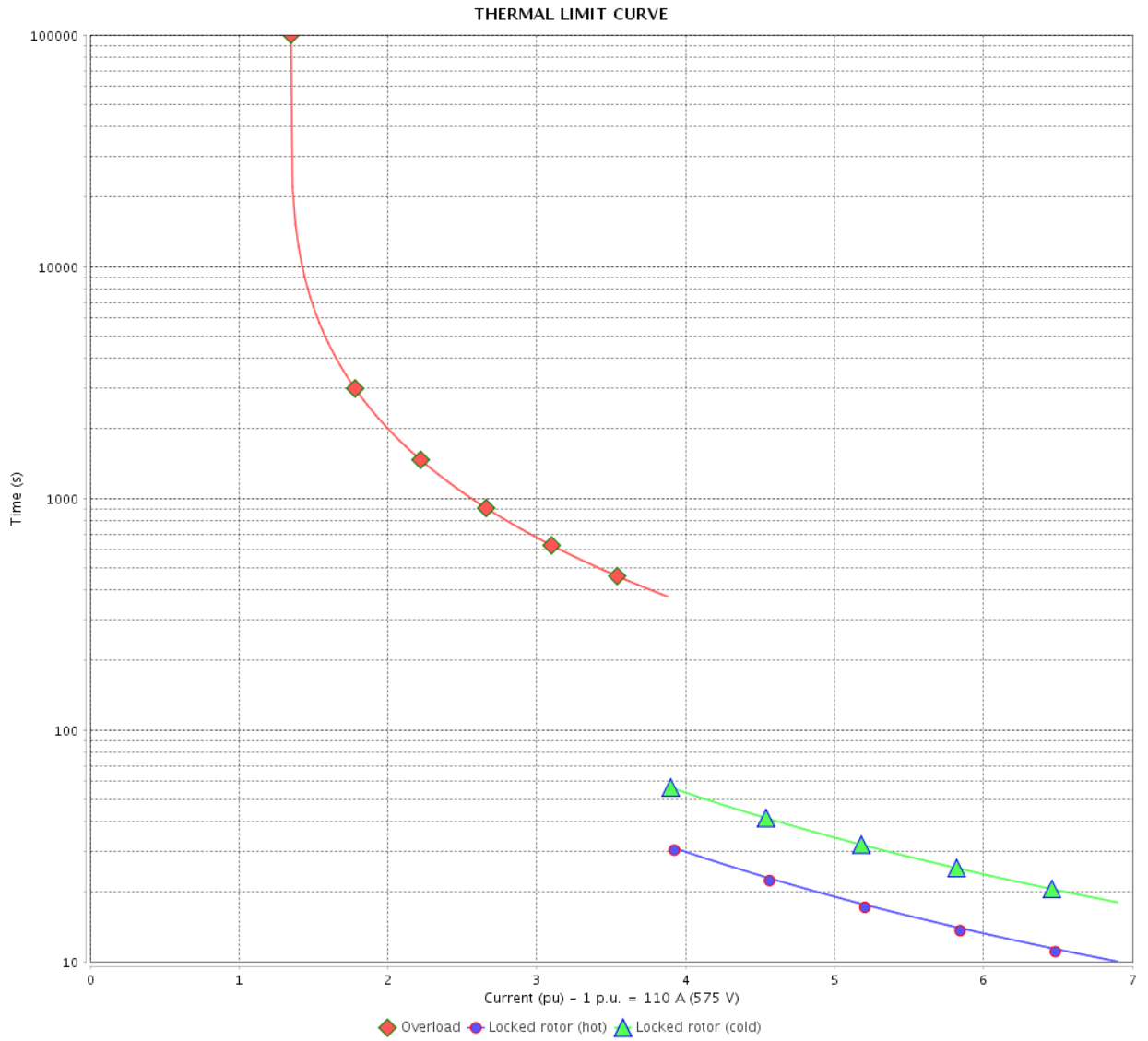
Rev.	Changes Summary	Performed	Checked	Date
Performed by			Page	Revision
Checked by				
Date	13/04/2022			

THERMAL LIMIT CURVE

Three Phase Induction Motor - Squirrel Cage



Customer : _____



Rev.	Changes Summary	Performed	Checked	Date
Performed by		Page 5 / 6		Revision
Checked by				
Date				

VFD OPERATION CURVE

Three Phase Induction Motor - Squirrel Cage

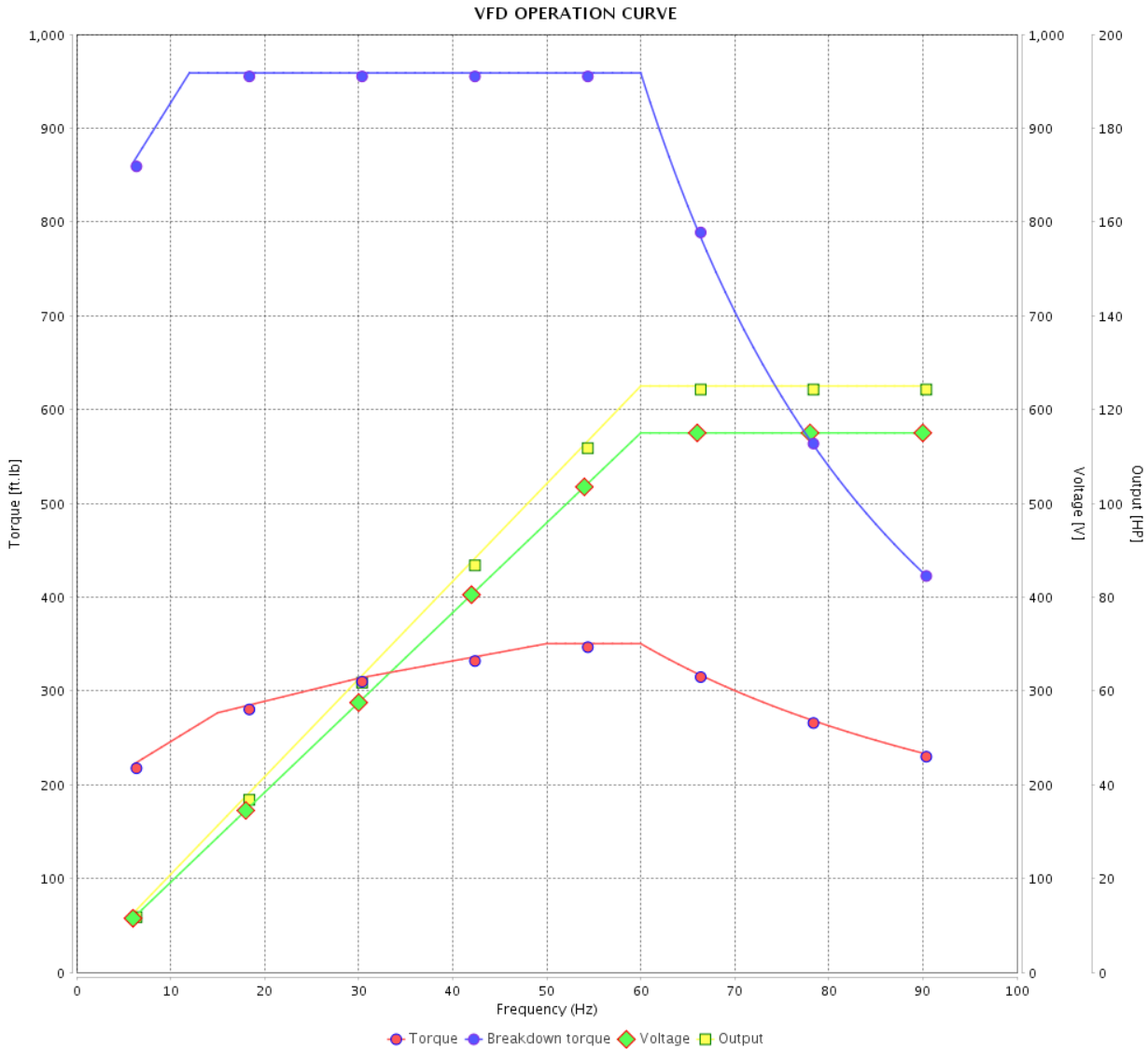


Customer :

Product line : W40 NEMA Premium Efficiency
Three-Phase

Product code : 14272886

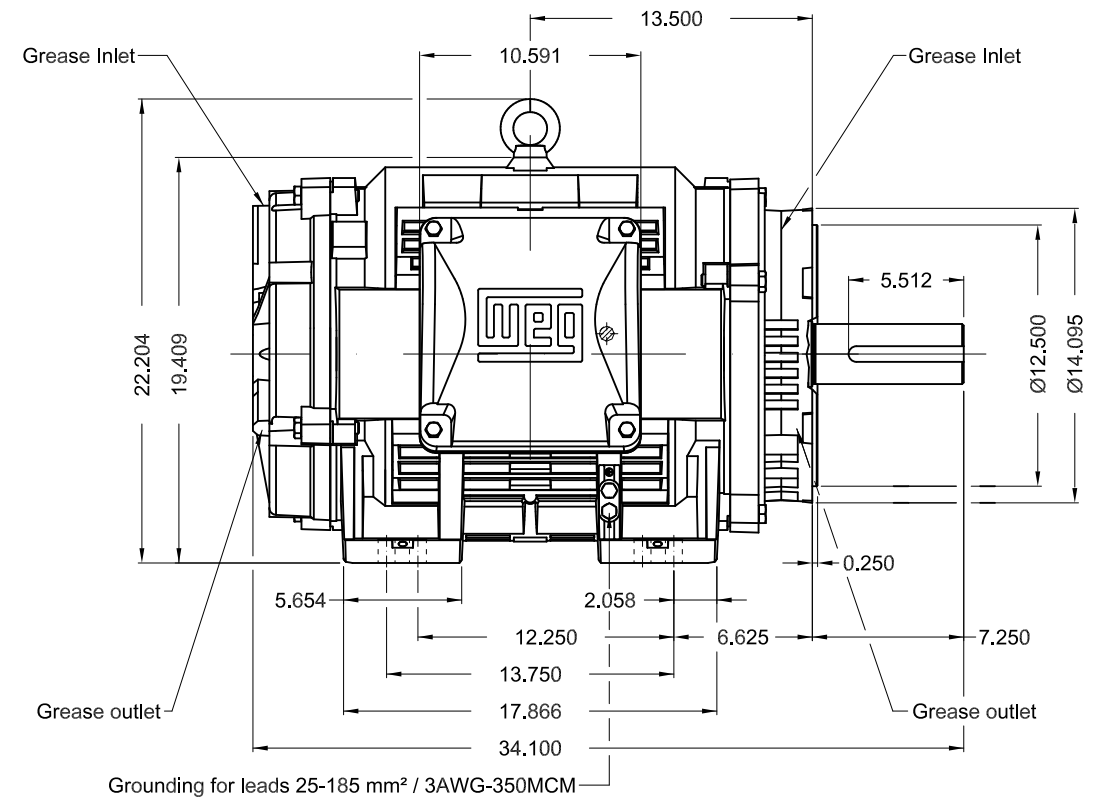
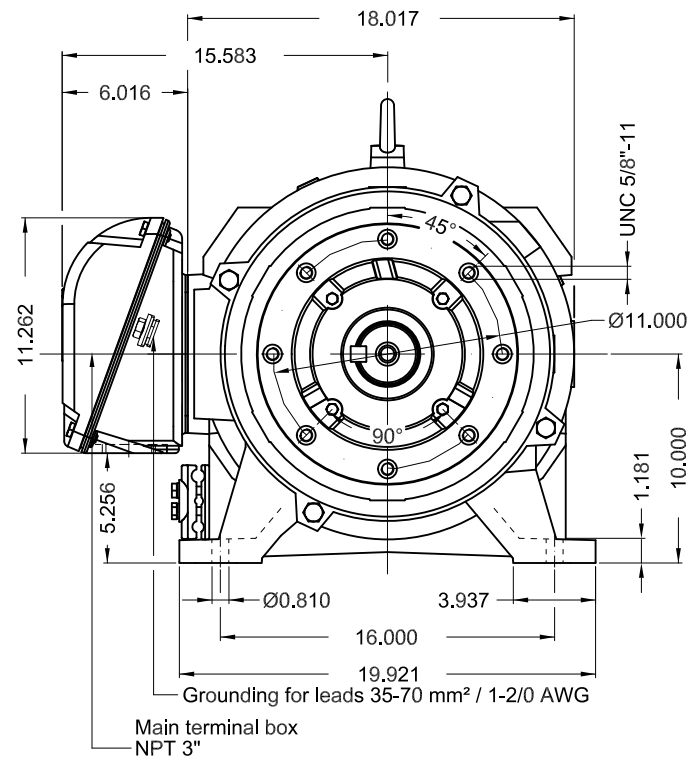
Catalog # : 12518OT3H405TC-W40



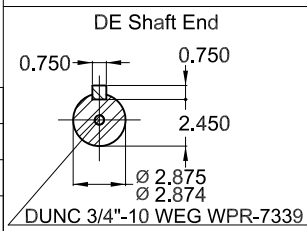
Performance : 575 V 60 Hz 4P

Rated current	: 110 A	Moment of inertia (J)	: 25.5 sq.ft.lb
LRC	: 6.9	Duty cycle	: Cont.(S1)
Rated torque	: 369 ft.lb	Insulation class	: F
Locked rotor torque	: 270 %	Service factor	: 1.25
Breakdown torque	: 260 %	Temperature rise	: 80 K
Rated speed	: 1780 rpm	Design	: B

Rev.	Changes Summary	Performed	Checked	Date
Performed by			Page 6 / 6	Revision
Checked by				
Date	13/04/2022			



Color RAL 5009
 Painting plan 203A
 Mounting NEMA F-1
 Mounting B34R(D)



125 HP 04 Poles 60 Hz

A

1:9

ECM	LOC	SUMMARY OF MODIFICATIONS	EXECUTED	CHECKED	RELEASED	DATE	VER
EXECUTED	PIRWBUSER	THREE PH. MOTOR W40 PREM. EFF.					
CHECKED		FRAME 404/5TC IP23 ODP					
RELEASED							
REL DT.	WMO	Jaragua do Sul	Product Engineering	SHEET	1 / 1		

PREVIEW
 WDD



MODEL 125180T3H405TC-W40
MADE IN BRAZIL
14272886

WEG **W40 NEMA**
CC029A Premium
Inverter Duty Motor

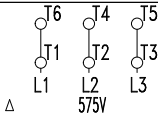


MOD.T01#FOXON



For use on PWM, VT 1000:1, CT 2:1, 1.0SF

PH 3	FR 404/5TC	HP(kW) 125(90)	Hz 60
V 575	A 110	IP23	
NEMA NOM EFF	95.4 %	RPM 1780	
ENCL ODP	DUTY CONT.	INS. CL. F Δ T 80 K	
PF 0.86	DES B	CODE G	AMB. 40°C
SF 1.25	SFA 138	ALT 1000 m.a.s.l.	



→ 6316-C3(34g)
→ 6212-Z-C3(13g)

MOBIL POLYREX EM
20000 h

1049 Lbs