

DATA SHEET



Three Phase Induction Motor - Squirrel Cage

Customer :

Product line : W40 NEMA Premium Efficiency Three-Phase Product code : 14272541
Catalog # : 15018OT3H444T-W40

Frame	: 444/5T	Locked rotor time	: 39s (cold) 22s (hot)
Output	: 150 HP (110 kW)	Temperature rise	: 80 K
Poles	: 4	Duty cycle	: Cont.(S1)
Frequency	: 60 Hz	Ambient temperature	: -20°C to +40°C
Rated voltage	: 575 V	Altitude	: 1000 m.a.s.l.
Rated current	: 136 A	Protection degree	: IP23
L. R. Amperes	: 884 A	Cooling method	: IC01 - ODP
LRC	: 6.5x(Code G)	Mounting	: F-1
No load current	: 46.4 A	Rotation ¹	: Both (CW and CCW)
Rated speed	: 1784 rpm	Noise level ²	: 78.0 dB(A)
Slip	: 0.89 %	Starting method	: Direct On Line
Rated torque	: 442 ft.lb	Approx. weight ³	: 1380 lb
Locked rotor torque	: 200 %		
Breakdown torque	: 240 %		
Insulation class	: F		
Service factor	: 1.25		
Moment of inertia (J)	: 42.1 sq.ft.lb		
Design	: B		

Output	25%	50%	75%	100%	Foundation loads	
Efficiency (%)	95.3	95.4	95.8	95.8	Max. traction	: 2135 lb
Power Factor	0.49	0.74	0.82	0.85	Max. compression	: 3515 lb

	<u>Drive end</u>	<u>Non drive end</u>
Bearing type	: 6319 C3	6314 C3
Sealing	: Without Bearing Seal	Without Bearing Seal
Lubrication interval	: 20000 h	20000 h
Lubricant amount	: 45 g	27 g
Lubricant type	: Mobil Polyrex EM	

Notes

This revision replaces and cancel the previous one, which must be eliminated.

- (1) Looking the motor from the shaft end.
- (2) Measured at 1m and with tolerance of +3dB(A).
- (3) Approximate weight subject to changes after manufacturing process.
- (4) At 100% of full load.

These are average values based on tests with sinusoidal power supply, subject to the tolerances stipulated in NEMA MG-1.

Rev.	Changes Summary	Performed	Checked	Date
Performed by				
Checked by			Page	Revision
Date	13/04/2022		1 / 6	

TORQUE AND CURRENT VS SPEED CURVE

Three Phase Induction Motor - Squirrel Cage



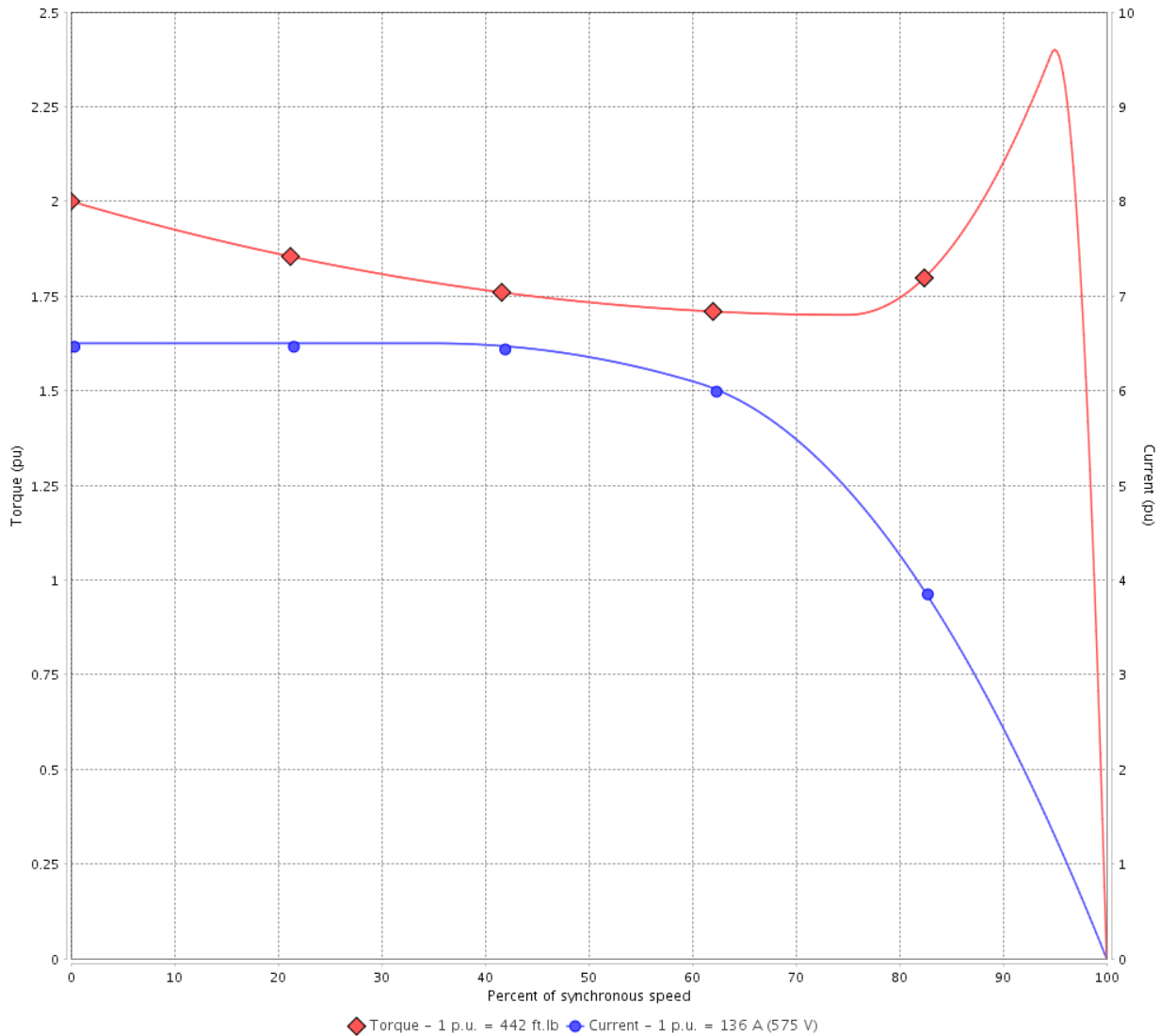
Customer :

Product line : W40 NEMA Premium Efficiency
Three-Phase

Product code : 14272541

Catalog # : 15018OT3H444T-W40

TORQUE AND CURRENT VS SPEED CURVE



Performance : 575 V 60 Hz 4P

Rated current	: 136 A	Moment of inertia (J)	: 42.1 sq.ft.lb
LRC	: 6.5	Duty cycle	: Cont.(S1)
Rated torque	: 442 ft.lb	Insulation class	: F
Locked rotor torque	: 200 %	Service factor	: 1.25
Breakdown torque	: 240 %	Temperature rise	: 80 K
Rated speed	: 1784 rpm	Design	: B

Locked rotor time : 39s (cold) 22s (hot)

Rev.	Changes Summary	Performed	Checked	Date
Performed by			Page 2 / 6	Revision
Checked by				
Date	13/04/2022			

LOAD PERFORMANCE CURVE

Three Phase Induction Motor - Squirrel Cage

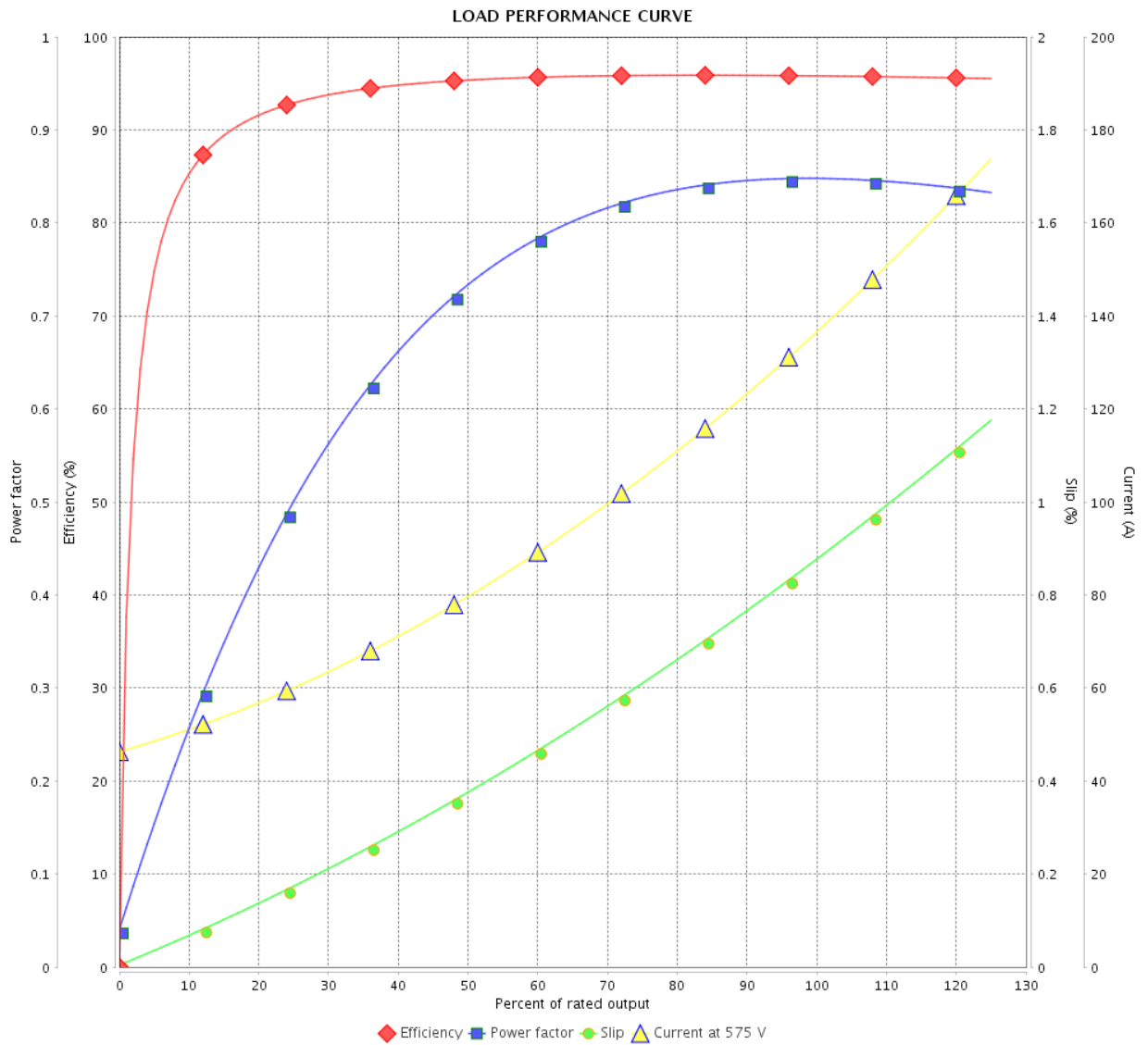


Customer :

Product line : W40 NEMA Premium Efficiency Three-Phase

Product code : 14272541

Catalog # : 15018OT3H444T-W40



Performance : 575 V 60 Hz 4P

Rated current : 136 A
 LRC : 6.5
 Rated torque : 442 ft.lb
 Locked rotor torque : 200 %
 Breakdown torque : 240 %
 Rated speed : 1784 rpm

Moment of inertia (J) : 42.1 sq.ft.lb
 Duty cycle : Cont.(S1)
 Insulation class : F
 Service factor : 1.25
 Temperature rise : 80 K
 Design : B

Rev.	Changes Summary	Performed	Checked	Date
Performed by			Page	Revision
Checked by			3 / 6	
Date	13/04/2022			

THERMAL LIMIT CURVE



Three Phase Induction Motor - Squirrel Cage

Customer :

Product line : W40 NEMA Premium Efficiency
Three-Phase

Product code : 14272541

Catalog # : 15018OT3H444T-W40

Performance : 575 V 60 Hz 4P

Rated current	: 136 A	Moment of inertia (J)	: 42.1 sq.ft.lb
LRC	: 6.5	Duty cycle	: Cont.(S1)
Rated torque	: 442 ft.lb	Insulation class	: F
Locked rotor torque	: 200 %	Service factor	: 1.25
Breakdown torque	: 240 %	Temperature rise	: 80 K
Rated speed	: 1784 rpm	Design	: B

Heating constant

Cooling constant

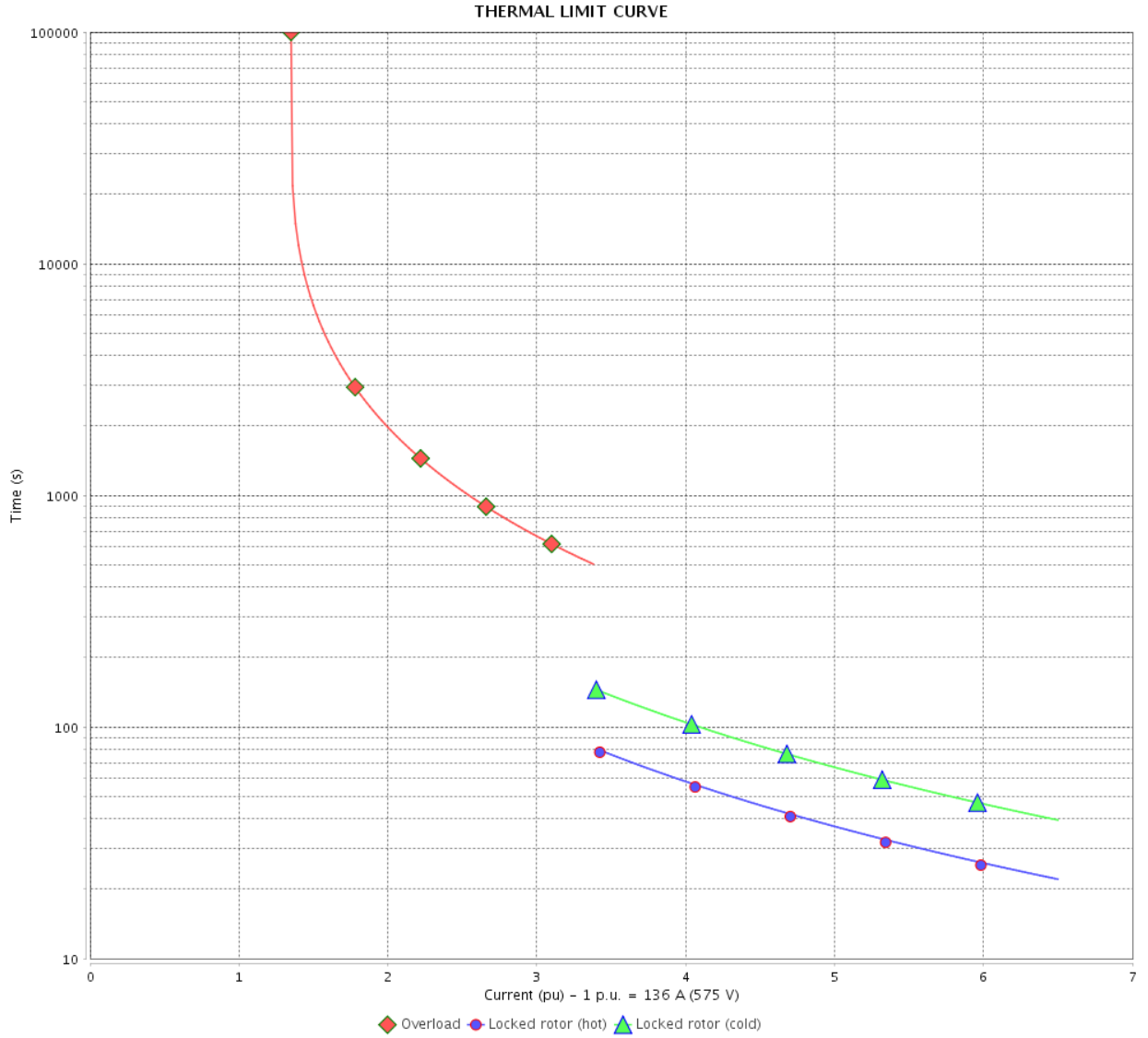
Rev.	Changes Summary	Performed	Checked	Date
Performed by				
Checked by			Page	Revision
Date	13/04/2022		4 / 6	

THERMAL LIMIT CURVE

Three Phase Induction Motor - Squirrel Cage



Customer : _____



Rev.	Changes Summary	Performed	Checked	Date
Performed by		Page 5 / 6		Revision
Checked by				
Date				

VFD OPERATION CURVE

Three Phase Induction Motor - Squirrel Cage



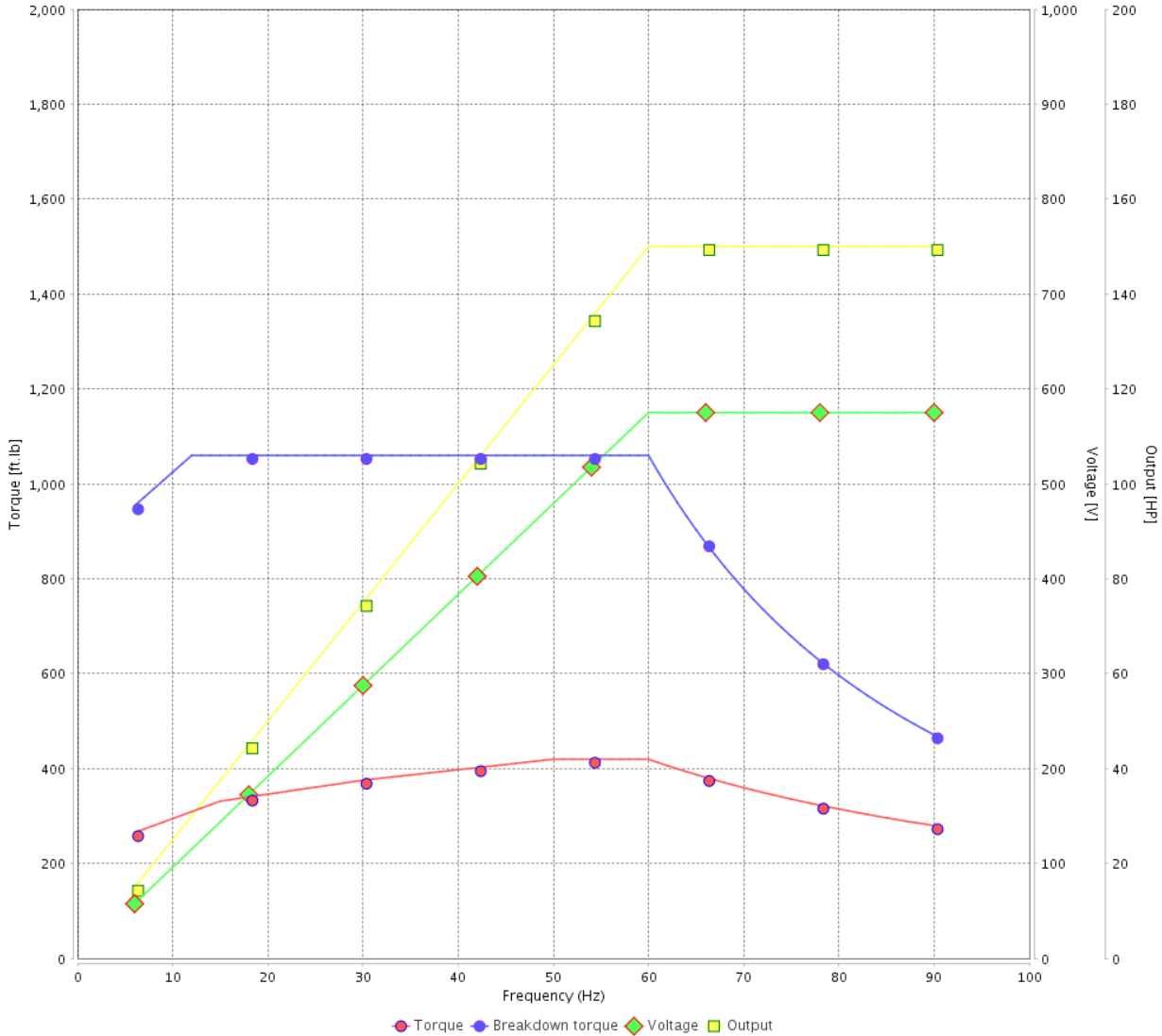
Customer :

Product line : W40 NEMA Premium Efficiency
Three-Phase

Product code : 14272541

Catalog # : 15018OT3H444T-W40

VFD OPERATION CURVE

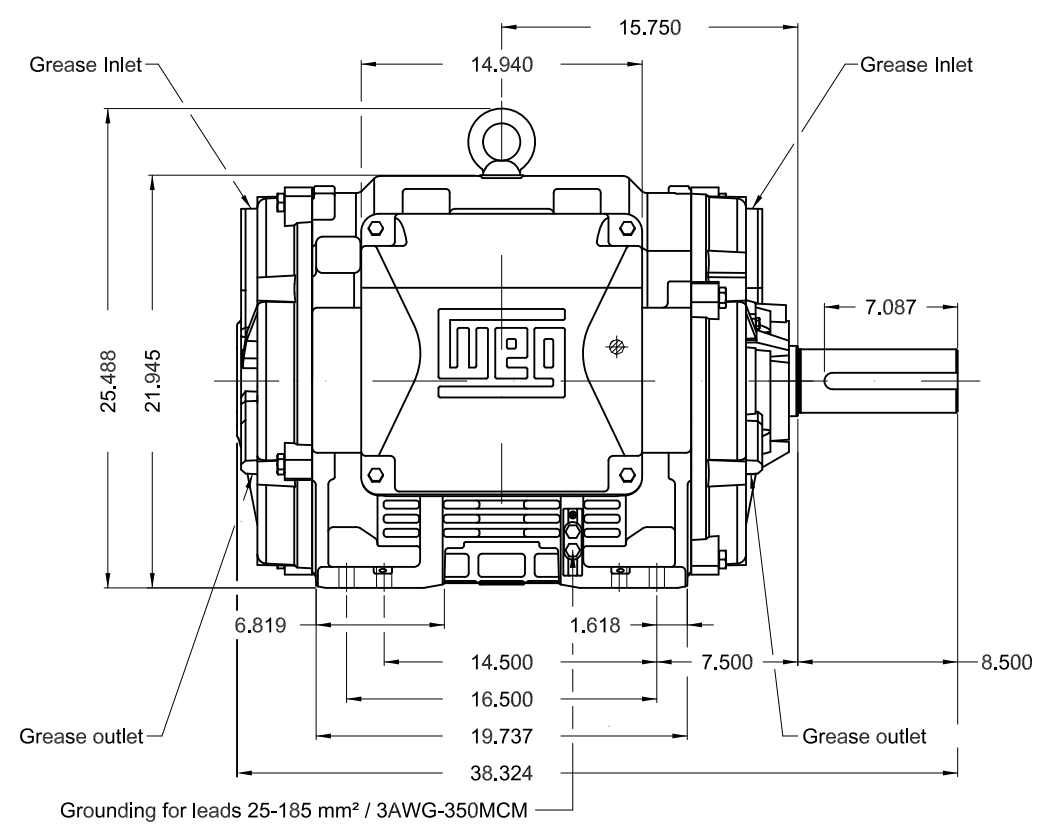
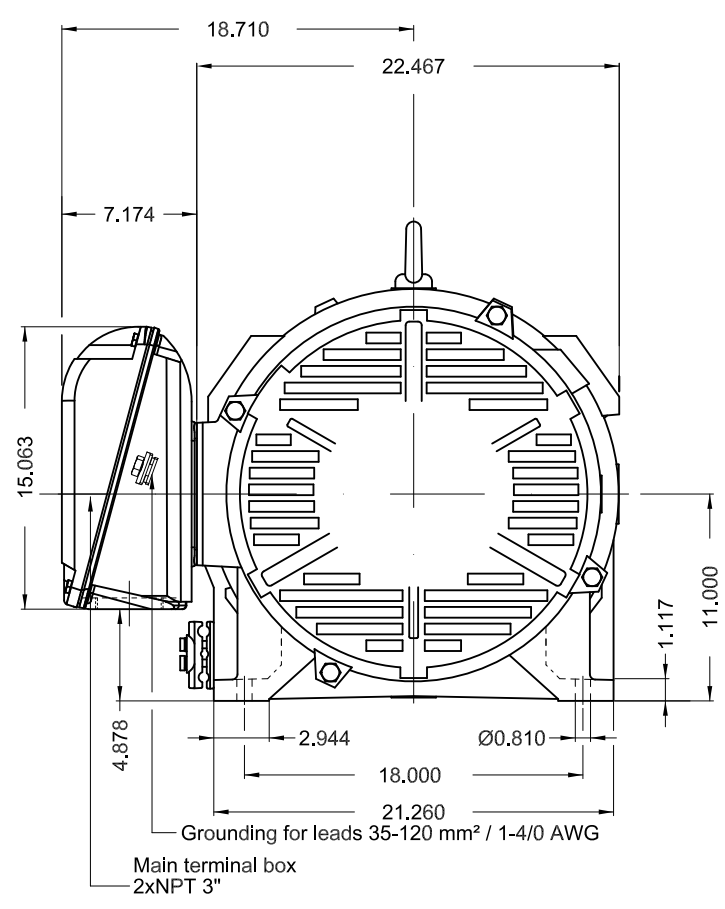


Performance : 575 V 60 Hz 4P

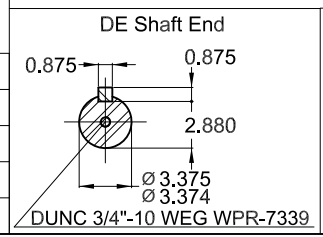
Rated current : 136 A
LRC : 6.5
Rated torque : 442 ft.lb
Locked rotor torque : 200 %
Breakdown torque : 240 %
Rated speed : 1784 rpm

Moment of inertia (J) : 42.1 sq.ft.lb
Duty cycle : Cont.(S1)
Insulation class : F
Service factor : 1.25
Temperature rise : 80 K
Design : B

Rev.	Changes Summary	Performed	Checked	Date
Performed by			Page 6 / 6	Revision
Checked by				
Date	13/04/2022			



- C3 NDE bearing
- Color RAL 5009
- Painting plan 203A
- Mounting NEMA F-1
- Mounting B3R(D)



150 HP 04 Poles 60 Hz A

1:10

ECM	LOC	SUMMARY OF MODIFICATIONS	EXECUTED	CHECKED	RELEASED	DATE	VER
EXECUTED	PIRWUSER	THREE PH. MOTOR W40 PREM. EFF.					
CHECKED		FRAME 444/5T IP23 ODP					
RELEASED							
REL DT.	WMO	Jaragua do Sul	Product Engineering	SHEET	1 / 1		

PREVIEW
WDD



MODEL 150180T3H444T-W40
MADE IN BRAZIL
14272541

WEG **W40 NEMA**
CC029A Premium
Inverter Duty Motor

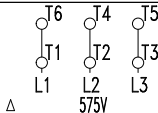


MOD.T01#FOXON



For use on PWM, VT 1000:1, CT 2:1, 1.0SF

PH 3	FR 444/5T	HP(kW) 150(110)	Hz 60
V 575	A 136	IP23	
NEMA NOM EFF	95.8 %	RPM 1784	
ENCL ODP	DUTY CONT.	INS. CL. F Δ T 80 K	
PF 0.85	DES B	CODE G	AMB. 40°C
SF 1.25	SFA 170	ALT 1000 m.a.s.l.	



→ 6319-C3(45g)
→ 6314-C3(27g)

MOBIL POLYREX EM
20000 h

1380 Lbs