

DATA SHEET



Three Phase Induction Motor - Squirrel Cage

Customer :				
Product line	: NEMA Premium Efficiency Three-Phase			
Product code :	13500594			
Catalog # :	20012ET3GKD505Z-W22			
Frame : 504/5TZ Output : 200 HP (150 kW) Poles : 6 Frequency : 60 Hz Rated voltage : 460 V Rated current : 243 A L. R. Amperes : 1701 A LRC : 7.0x(Code H) No load current : 101 A Rated speed : 1191 rpm Slip : 0.75 % Rated torque : 882 ft.lb Locked rotor torque : 220 % Breakdown torque : 260 % Insulation class : F Service factor : 1.15 Design : A	Locked rotor time : 36s (cold) 20s (hot) Temperature rise : 80 K Duty cycle : Cont.(S1) Ambient temperature : -20°C to +40°C Altitude : 1000 m.a.s.l. Protection degree : IP55 Cooling method : IC411 - TEFC Mounting : F-1 Rotation ¹ : Both (CW and CCW) Noise level ² : 70.0 dB(A) Starting method : Direct On Line Approx. weight ³ : 2459 lb			
Output	25% 50% 75% 100%			
Efficiency (%)	0.000 95.0 95.8 95.8			
Power Factor	0.00 0.65 0.76 0.81			
Foundation loads				
Max. traction	: 4272 lb			
Max. compression	: 6730 lb			
Bearing type	: <u>Drive end</u> NU-322 C3 <u>Non drive end</u> 6316 C3			
Sealing	: Taconite Labyrinth Taconite Labyrinth			
Lubrication interval	: 7000 h 16000 h			
Lubricant amount	: 60 g 34 g			
Lubricant type	: Mobil Polyrex EM			
Notes				
This revision replaces and cancel the previous one, which must be eliminated. (1) Looking the motor from the shaft end. (2) Measured at 1m and with tolerance of +3dB(A). (3) Approximate weight subject to changes after manufacturing process. (4) At 100% of full load.				
These are average values based on tests with sinusoidal power supply, subject to the tolerances stipulated in NEMA MG-1.				
Rev.	Changes Summary	Performed	Checked	Date
Performed by				
Checked by			Page	Revision
Date	14/04/2022		1 / 6	

TORQUE AND CURRENT VS SPEED CURVE

Three Phase Induction Motor - Squirrel Cage



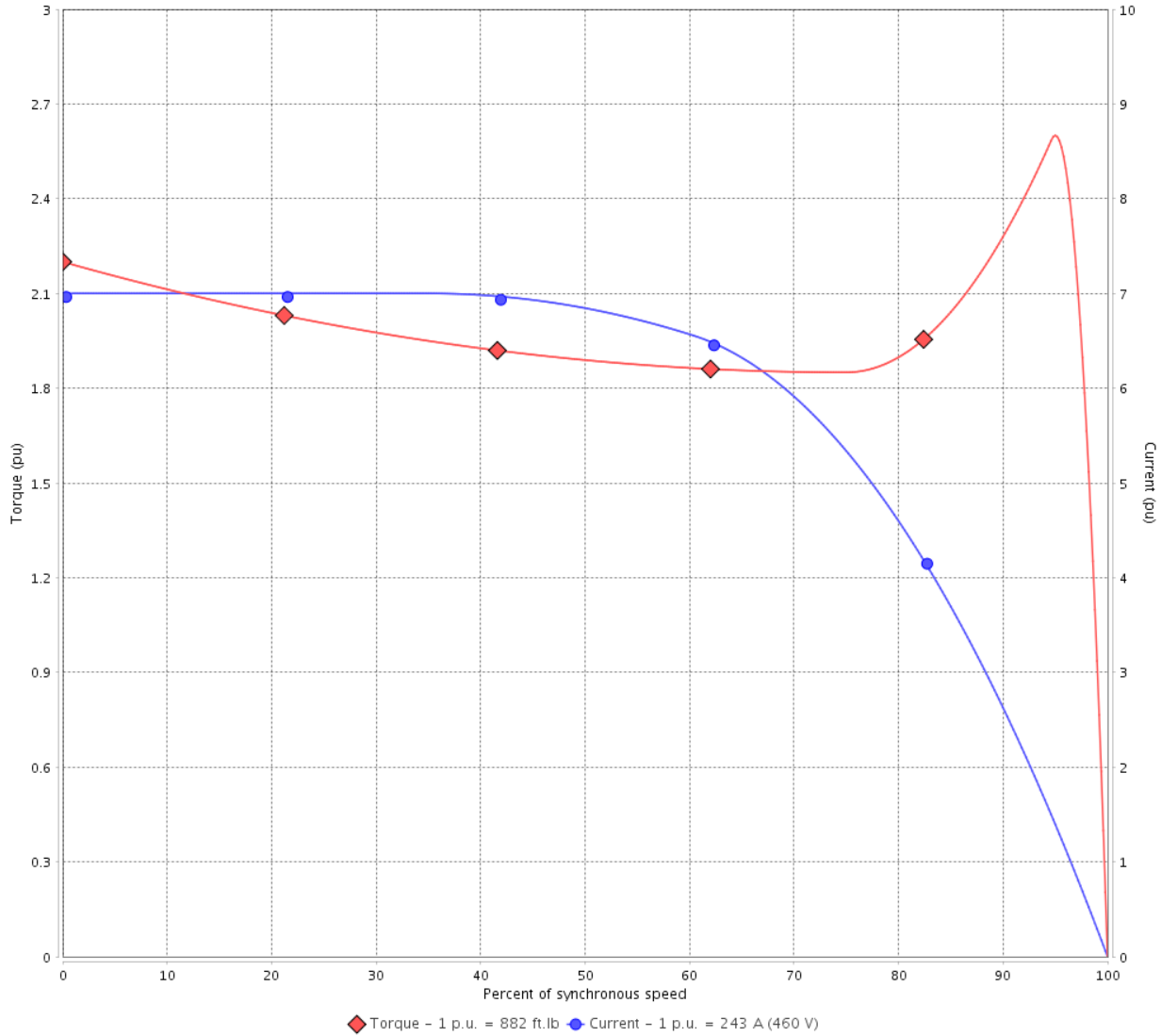
Customer :

Product line : NEMA Premium Efficiency Three-Phase

Product code : 13500594

Catalog # : 20012ET3GKD505Z-W22

TORQUE AND CURRENT VS SPEED CURVE



Performance : 460 V 60 Hz 6P

Rated current	: 243 A	Moment of inertia (J)	
LRC	: 7.0	Duty cycle	: Cont.(S1)
Rated torque	: 882 ft.lb	Insulation class	: F
Locked rotor torque	: 220 %	Service factor	: 1.15
Breakdown torque	: 260 %	Temperature rise	: 80 K
Rated speed	: 1191 rpm	Design	: A

Locked rotor time : 36s (cold) 20s (hot)

Rev.	Changes Summary	Performed	Checked	Date
Performed by			Page 2 / 6	Revision
Checked by				
Date	14/04/2022			

LOAD PERFORMANCE CURVE

Three Phase Induction Motor - Squirrel Cage

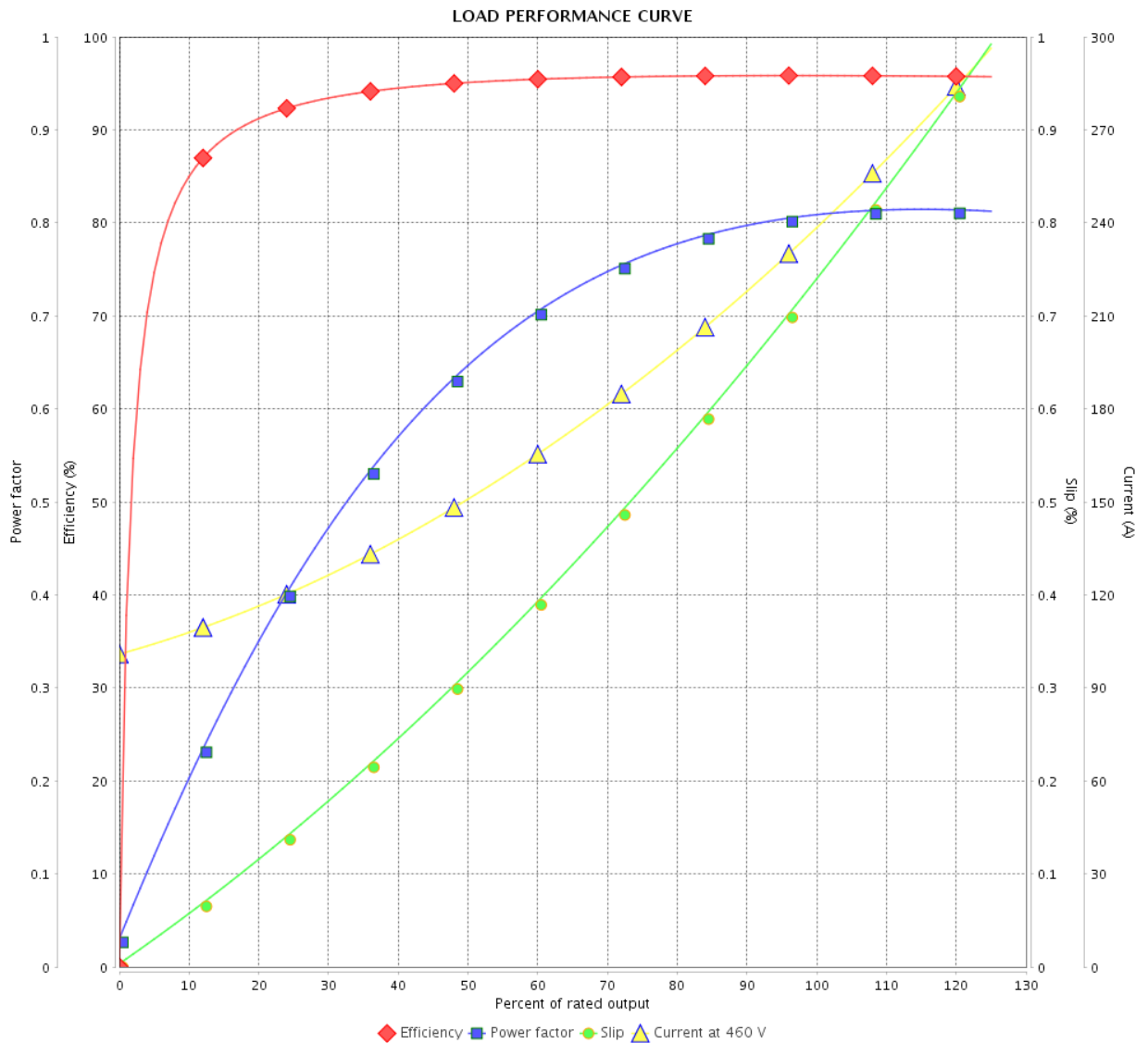


Customer : _____

Product line : NEMA Premium Efficiency Three-Phase

Product code : 13500594

Catalog # : 20012ET3GKD505Z-W22



Performance : 460 V 60 Hz 6P

Rated current : 243 A
 LRC : 7.0
 Rated torque : 882 ft.lb
 Locked rotor torque : 220 %
 Breakdown torque : 260 %
 Rated speed : 1191 rpm

Moment of inertia (J)
 Duty cycle : Cont.(S1)
 Insulation class : F
 Service factor : 1.15
 Temperature rise : 80 K
 Design : A

Rev.	Changes Summary	Performed	Checked	Date
Performed by			Page	Revision
Checked by				
Date				
			3 / 6	

THERMAL LIMIT CURVE



Three Phase Induction Motor - Squirrel Cage

Customer :

Product line : NEMA Premium Efficiency Three-Phase
 Product code : 13500594
 Catalog # : 20012ET3GKD505Z-W22

Performance : 460 V 60 Hz 6P

Rated current : 243 A	Moment of inertia (J)
LRC : 7.0	Duty cycle : Cont.(S1)
Rated torque : 882 ft.lb	Insulation class : F
Locked rotor torque : 220 %	Service factor : 1.15
Breakdown torque : 260 %	Temperature rise : 80 K
Rated speed : 1191 rpm	Design : A

Heating constant

Cooling constant

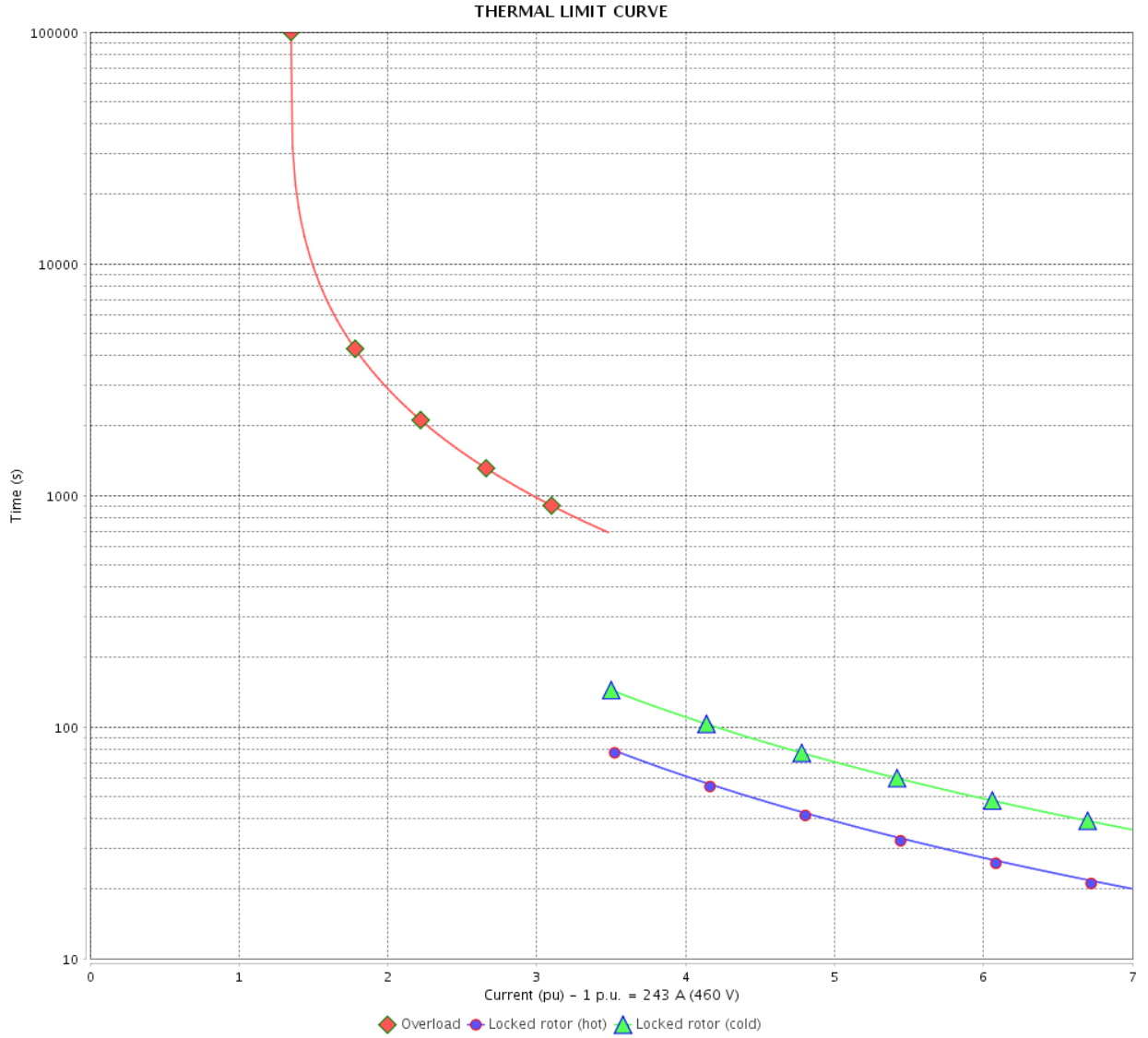
Rev.	Changes Summary	Performed	Checked	Date
Performed by			Page	Revision
Checked by				
Date	14/04/2022			

THERMAL LIMIT CURVE

Three Phase Induction Motor - Squirrel Cage



Customer : _____



Rev.	Changes Summary	Performed	Checked	Date
Performed by		Page 5 / 6		Revision
Checked by				
Date				

VFD OPERATION CURVE

Three Phase Induction Motor - Squirrel Cage

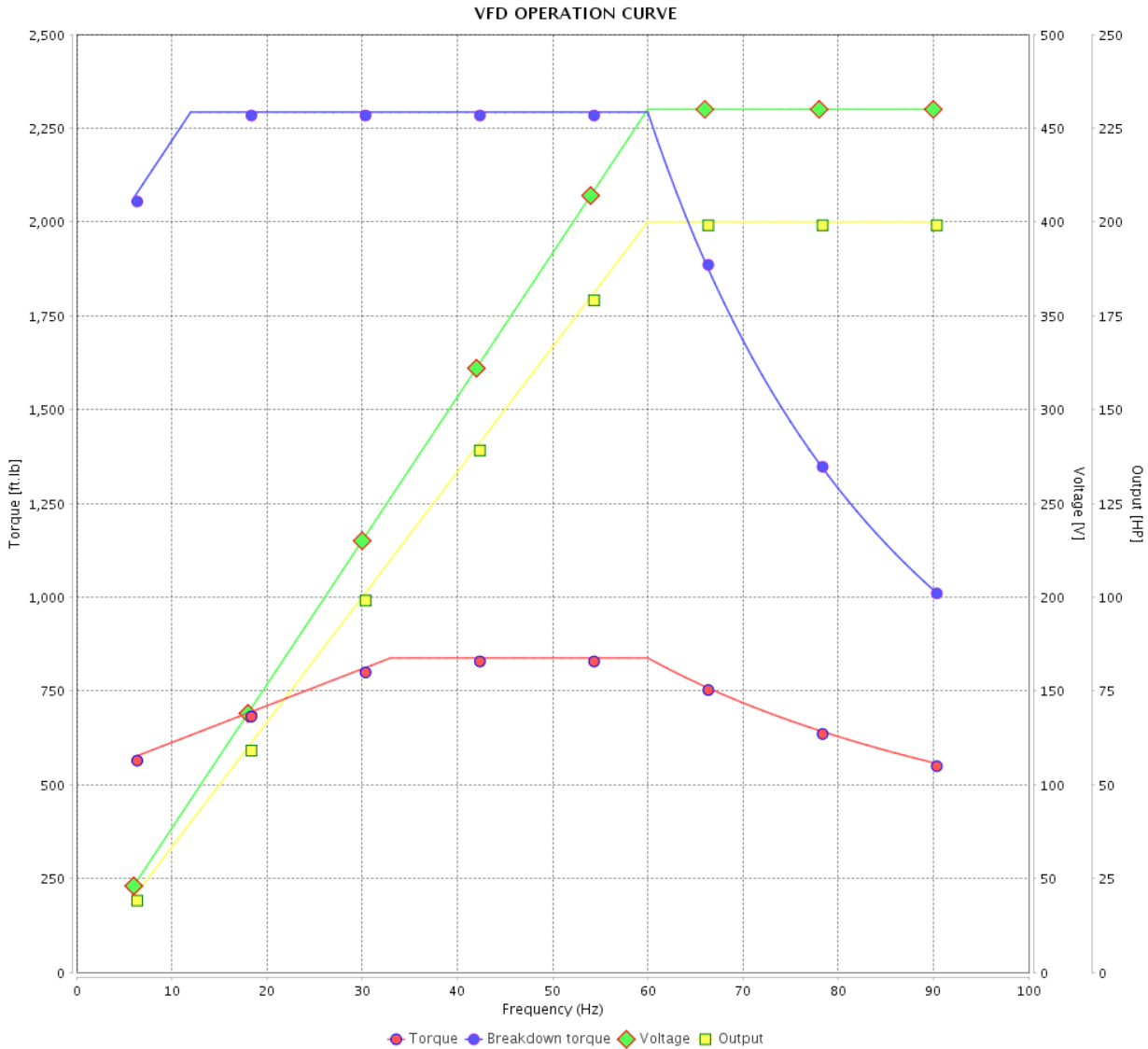


Customer :

Product line : NEMA Premium Efficiency Three-Phase

Product code : 13500594

Catalog # : 20012ET3GKD505Z-W22



Performance : 460 V 60 Hz 6P

Rated current	: 243 A	Moment of inertia (J)	
LRC	: 7.0	Duty cycle	: Cont.(S1)
Rated torque	: 882 ft.lb	Insulation class	: F
Locked rotor torque	: 220 %	Service factor	: 1.15
Breakdown torque	: 260 %	Temperature rise	: 80 K
Rated speed	: 1191 rpm	Design	: A

Rev.	Changes Summary	Performed	Checked	Date
Performed by			Page 6 / 6	Revision
Checked by				
Date	14/04/2022			

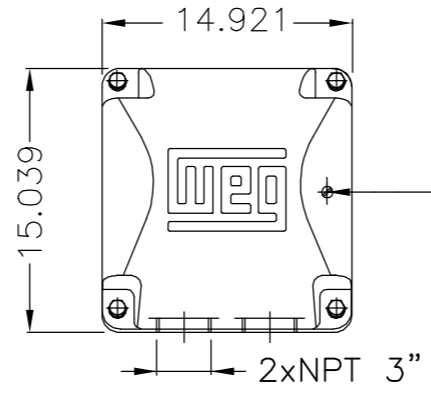
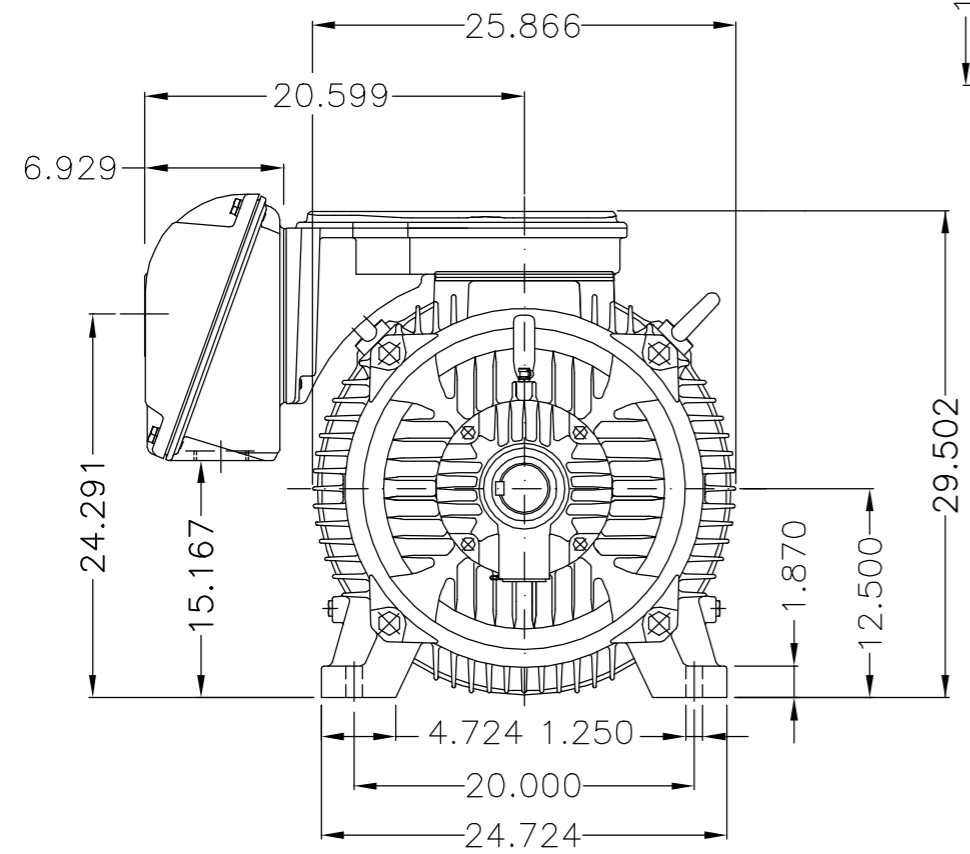
EIXO/SHAFT	
PADRÃO/STANDARD	
OPCIONAL/OPTIONAL	
ESPECIAL/SPECIAL	X

Dimensões em polegada
Dimensions in inches

CERTIFIED WEG MOTORES
Certified document.
Not subject to changes.

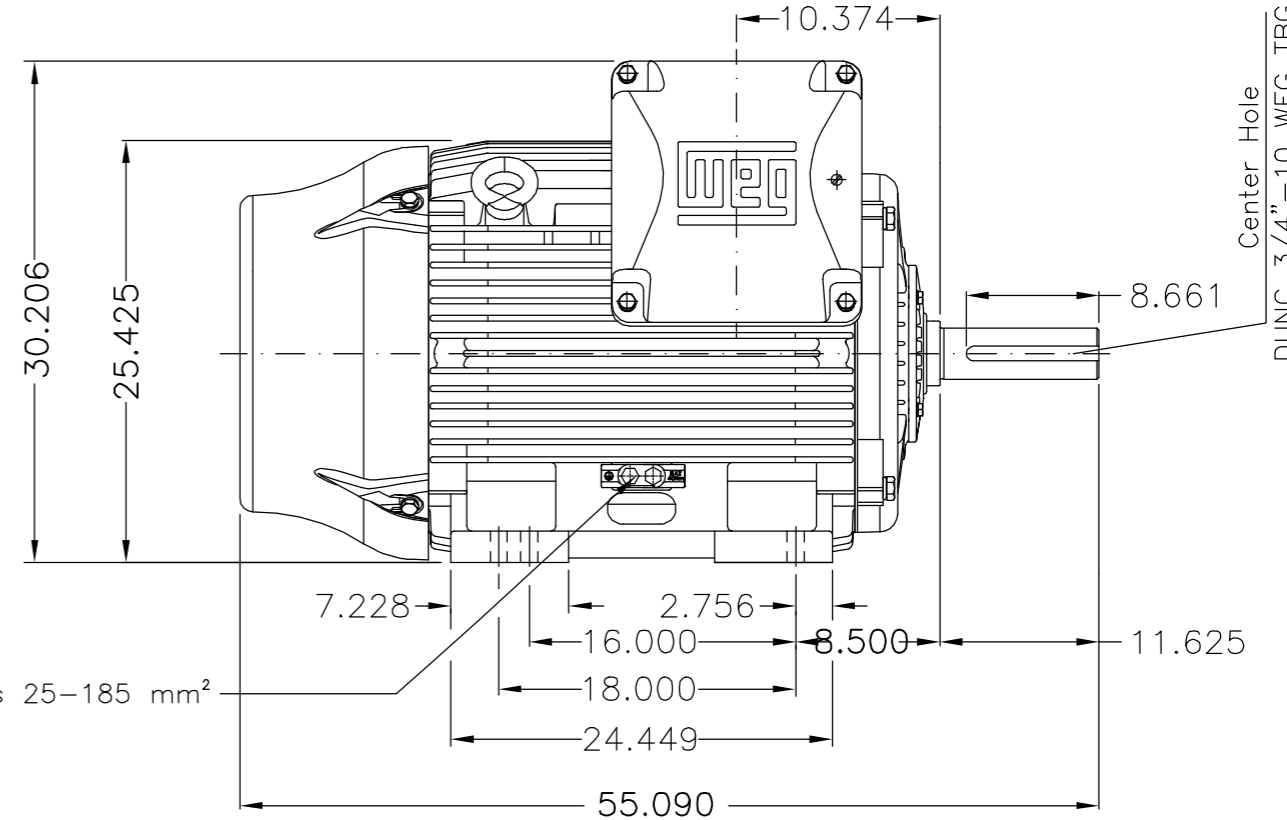
THIS IS AN UPDATED REVISION, THE PREVIOUS ONE MUST BE DISREGARDED.

A
B
C
D
E



Main terminal box

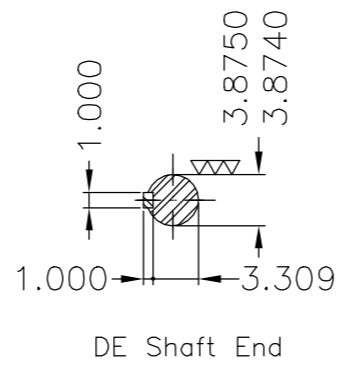
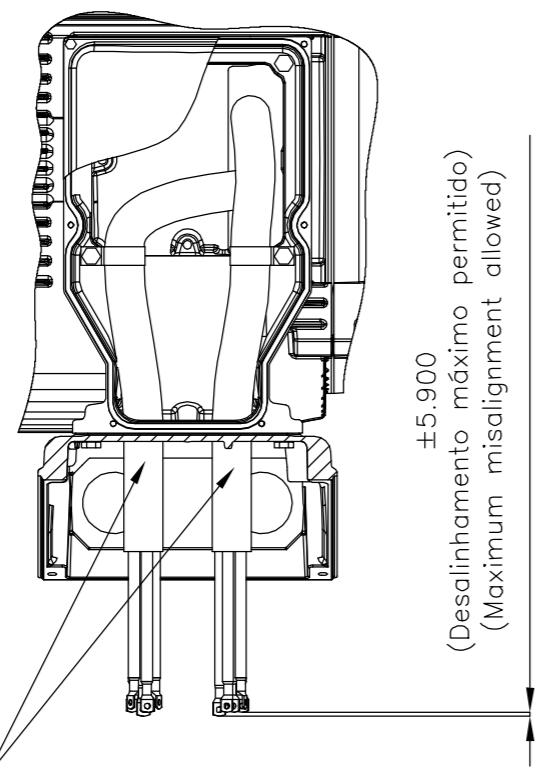
Grounding for leads 35-70 mm²



Grounding for leads 25-185 mm²

Center Hole
DUNC 3/4"-10 WEG TBG12

Fixar o condute no suporte com abraçadeiras.
Fasten the conduit on support with cables ties.



DE Shaft End

- Vedação - labirinto Taconite / Sealing - Taconite labyrinth
- Ventilador de Alumínio / Aluminum fan
- Categoria A / Design A
- Tampa dianteira especial / Special DE endshield
- Conduite para cabos no interior do suporte da caixa de ligação
Cables conduit inside terminal box support
- Linha do motor: Crusher Duty / Motor purpose: Crusher Duty
- Rolamento dianteiro de rolos NU-322 C3 / NU-322 C3 DE roller bearing
- Dispositivo de travamento de eixo / Shaft locking device
- Tampa traseira com mancal eletricamente isolado
NDE endshield with electrically insulated bearing hub
- Cor RAL 5009 / Color RAL 5009
- Plano de pintura 203A / Painting plan 203A
- Forma construtiva NEMA F-1 / Mounting NEMA F-1
- Forma construtiva B3D / Mounting B3R(D)

WEG ELECTRIC CORPORATION - WEC

500001331189		ADIC.NOTA CONDUITE/ADD NOTE CONDUIT	MENSOR		EANJOS	05.07.2017	04
500001323616		ALTERADO CONFORME CDP 414658625	MENSOR		JMANENTE	20.06.2017	03
ECM	LOC	SUMMARY OF MODIFICATIONS	EXECUTED	CHECKED	RELEASED	DATE	VER
EXECUTED	DVEGINI	THREE PHASE W22 MOTOR - NEMA PREMIUM EFF FRAME 504/5TZ IP55			10004037836		
CHECKED					000 04		
RELEASED	NSCHMIDT						
REL DT	22.01.2016	WMO	Jaraguá do Sul	Product Engineering	SHEET	1 / 1	

200 HP 06 Poles 60Hz 414149562/0 MEC

UNCONTROLLED COPY

RELEASED

ZME A3