

TORQUE AND CURRENT VS SPEED CURVE

Three Phase Induction Motor - Squirrel Cage



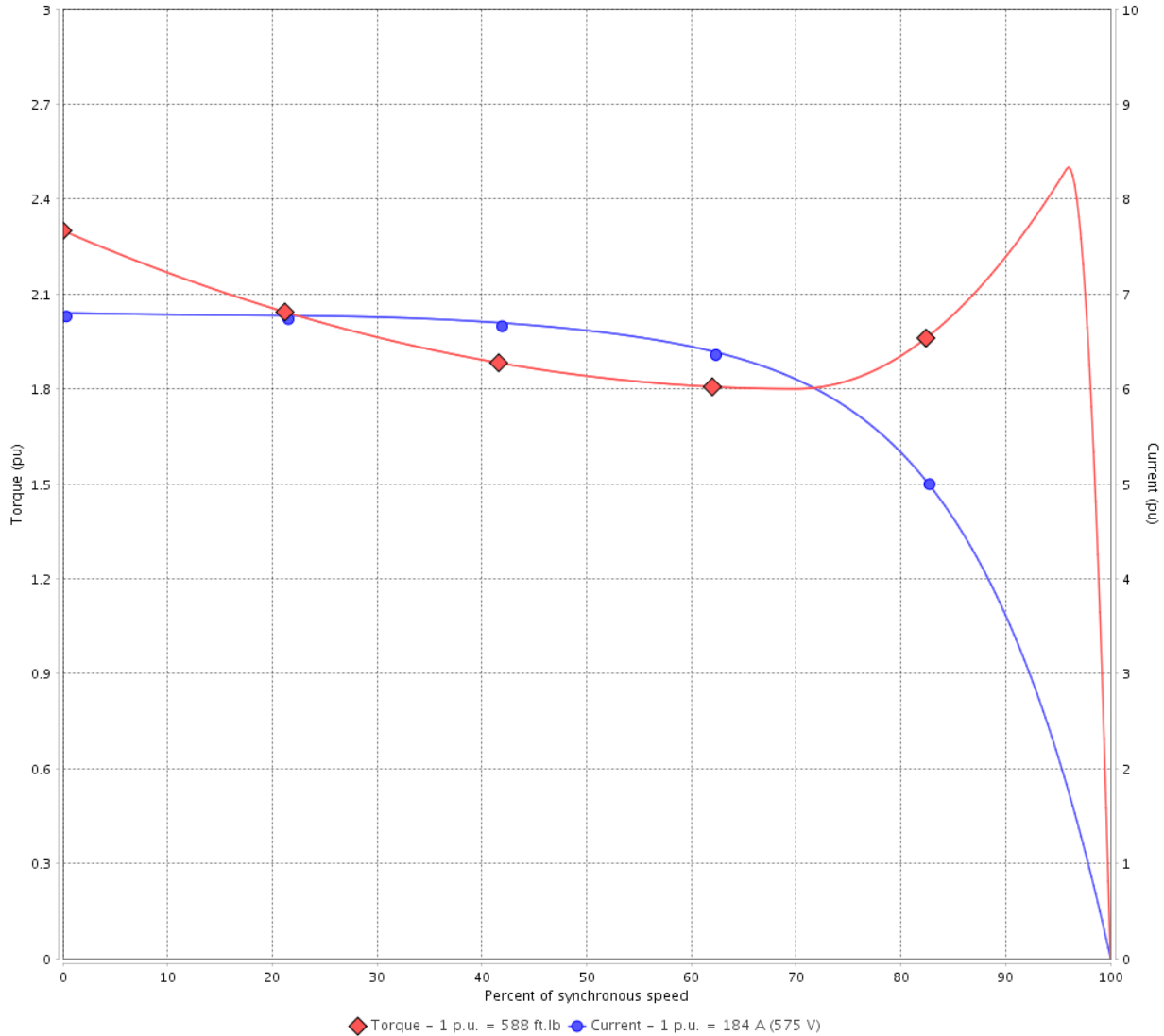
Customer :

Product line : NEMA Premium Efficiency Three-Phase

Product code : 11165038

Catalog # : 20018ET3H447T-W22

TORQUE AND CURRENT VS SPEED CURVE



Performance : 575 V 60 Hz 4P

Rated current	: 184 A	Moment of inertia (J)	: 76.2 sq.ft.lb
LRC	: 6.8	Duty cycle	: Cont.(S1)
Rated torque	: 588 ft.lb	Insulation class	: F
Locked rotor torque	: 229 %	Service factor	: 1.15
Breakdown torque	: 250 %	Temperature rise	: 80 K
Rated speed	: 1785 rpm	Design	: B

Locked rotor time : 28s (cold) 16s (hot)

Rev.	Changes Summary	Performed	Checked	Date
Performed by			Page 2 / 6	Revision
Checked by				
Date	14/04/2022			

LOAD PERFORMANCE CURVE

Three Phase Induction Motor - Squirrel Cage

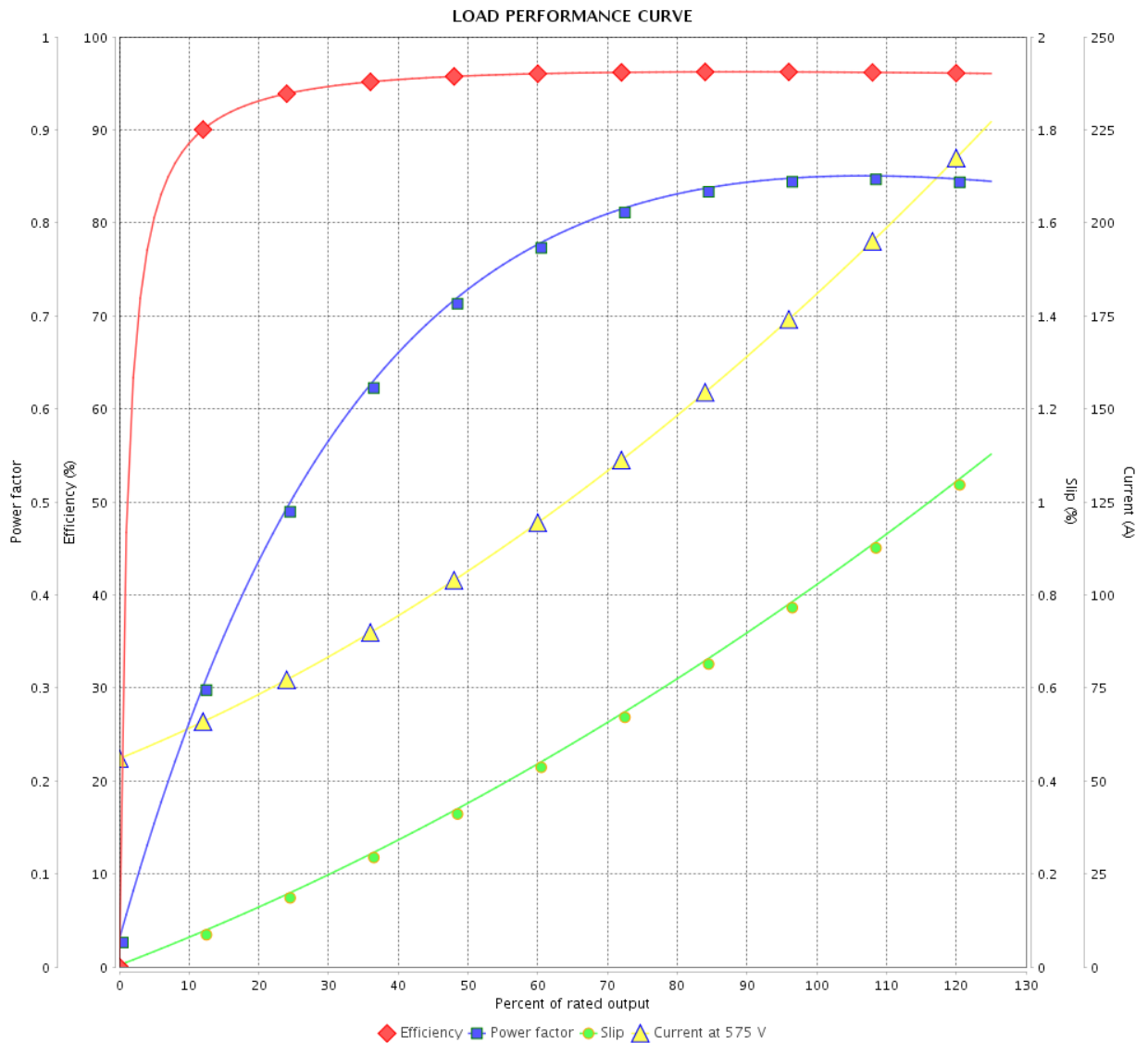


Customer : _____

Product line : NEMA Premium Efficiency Three-Phase

Product code : 11165038

Catalog # : 20018ET3H447T-W22



Performance : 575 V 60 Hz 4P

Rated current : 184 A
 LRC : 6.8
 Rated torque : 588 ft.lb
 Locked rotor torque : 229 %
 Breakdown torque : 250 %
 Rated speed : 1785 rpm

Moment of inertia (J) : 76.2 sq.ft.lb
 Duty cycle : Cont.(S1)
 Insulation class : F
 Service factor : 1.15
 Temperature rise : 80 K
 Design : B

Rev.	Changes Summary	Performed	Checked	Date
Performed by		Page		Revision
Checked by		3 / 6		
Date		14/04/2022		

THERMAL LIMIT CURVE



Three Phase Induction Motor - Squirrel Cage

Customer :

Product line : NEMA Premium Efficiency Three-Phase
 Product code : 11165038
 Catalog # : 20018ET3H447T-W22

Performance : 575 V 60 Hz 4P

Rated current : 184 A	Moment of inertia (J) : 76.2 sq.ft.lb
LRC : 6.8	Duty cycle : Cont.(S1)
Rated torque : 588 ft.lb	Insulation class : F
Locked rotor torque : 229 %	Service factor : 1.15
Breakdown torque : 250 %	Temperature rise : 80 K
Rated speed : 1785 rpm	Design : B

Heating constant

Cooling constant

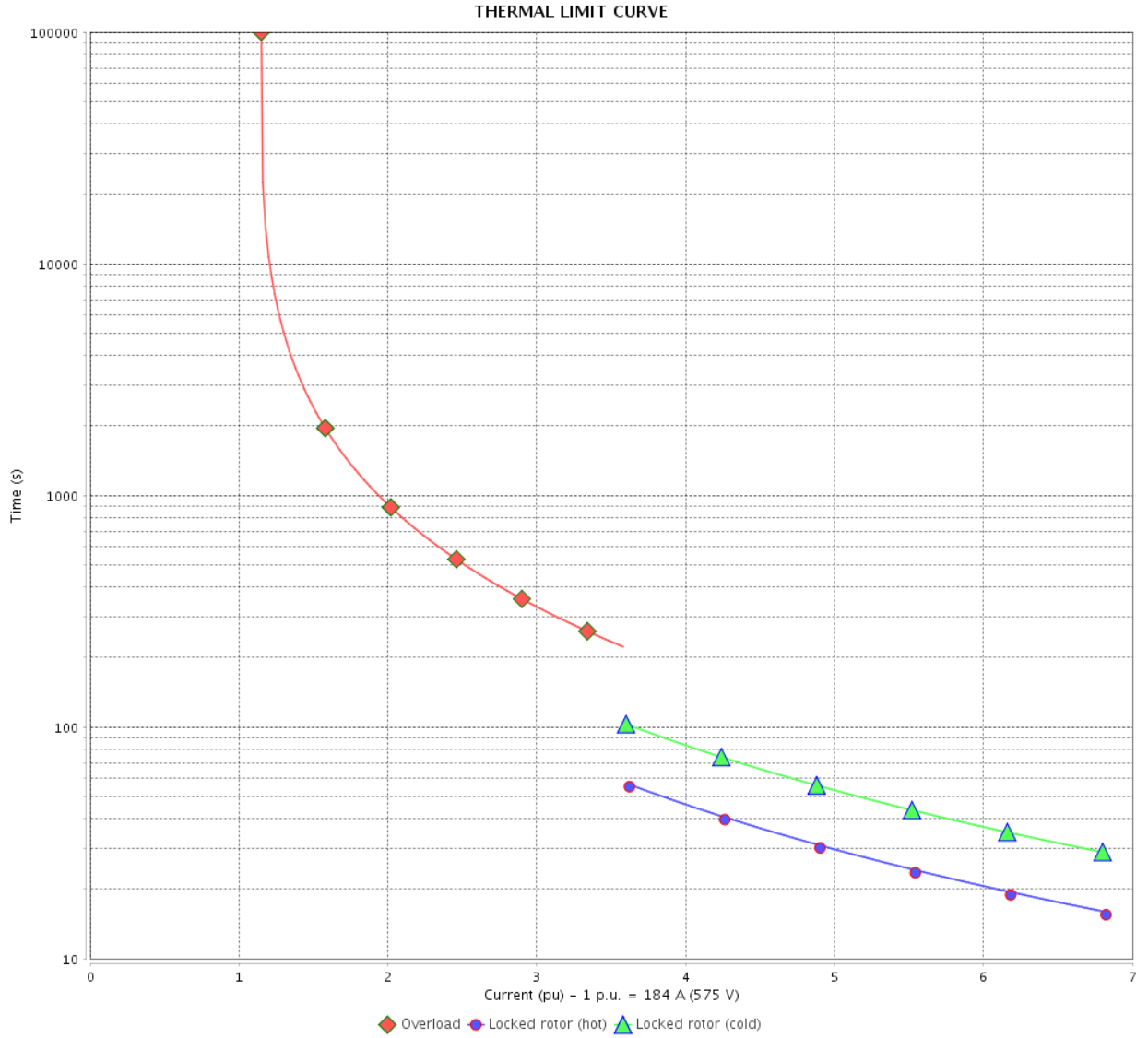
Rev.	Changes Summary	Performed	Checked	Date
Performed by			Page	Revision
Checked by				
Date				

THERMAL LIMIT CURVE

Three Phase Induction Motor - Squirrel Cage



Customer : _____



Rev.	Changes Summary	Performed	Checked	Date
Performed by		Page 5 / 6		Revision
Checked by				
Date				

VFD OPERATION CURVE

Three Phase Induction Motor - Squirrel Cage

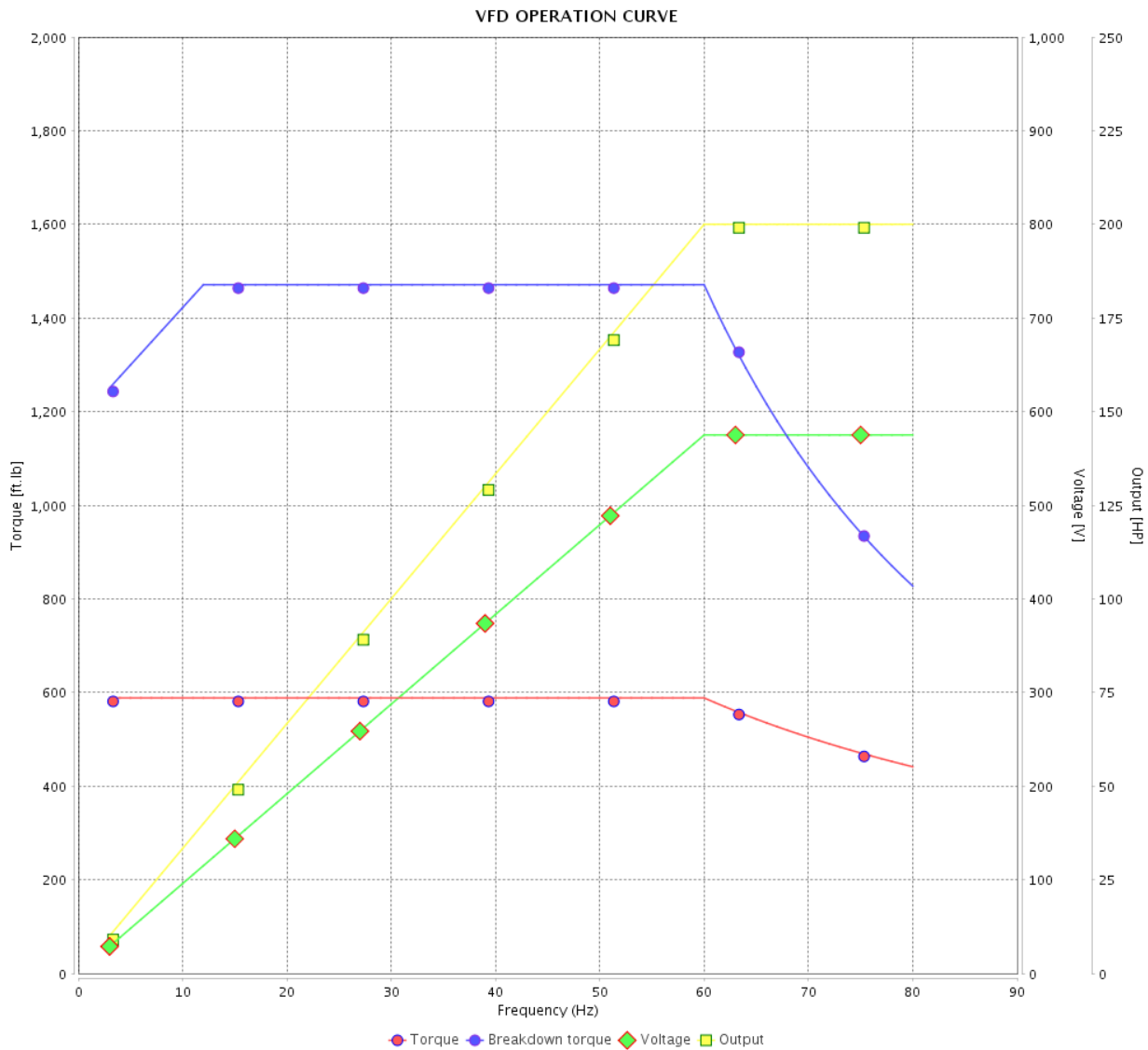


Customer :

Product line : NEMA Premium Efficiency Three-Phase

Product code : 11165038

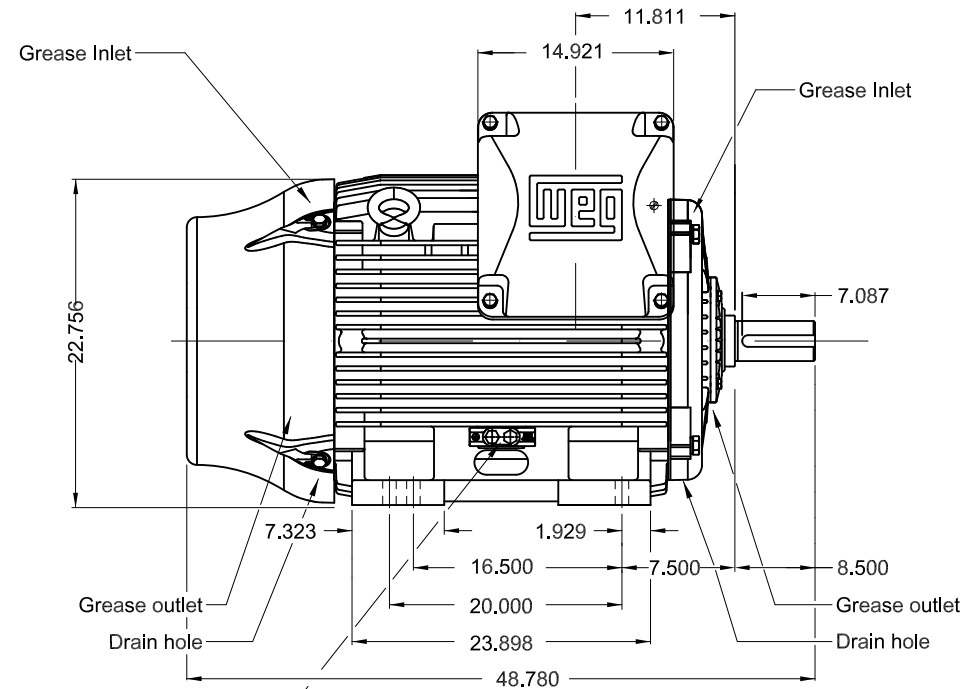
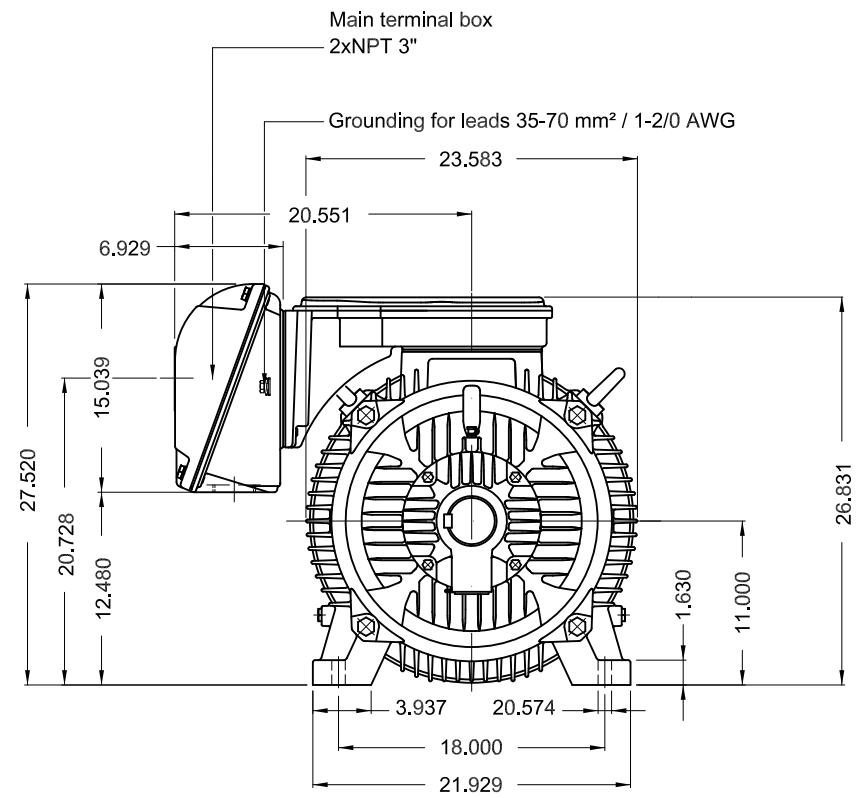
Catalog # : 20018ET3H447T-W22



Performance : 575 V 60 Hz 4P

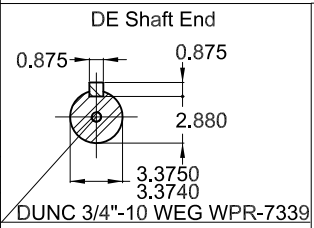
Rated current	: 184 A	Moment of inertia (J)	: 76.2 sq.ft.lb
LRC	: 6.8	Duty cycle	: Cont.(S1)
Rated torque	: 588 ft.lb	Insulation class	: F
Locked rotor torque	: 229 %	Service factor	: 1.15
Breakdown torque	: 250 %	Temperature rise	: 80 K
Rated speed	: 1785 rpm	Design	: B

Rev.	Changes Summary	Performed	Checked	Date
Performed by			Page 6 / 6	Revision
Checked by				
Date	14/04/2022			



Grounding for leads 25-185 mm² / 3AWG-350MCM

Color RAL 5009
 Painting plan 203A
 Mounting B3R(D)



200 HP 04 Poles 60 Hz A

ECM	LOC	SUMMARY OF MODIFICATIONS	EXECUTED	CHECKED	RELEASED	DATE	VER
EXECUTED	PIRWUSER	THREE PH. MOTOR W22 PREM. EFF.					
CHECKED		FRAME 445/7T IP55 TEFC					
RELEASED							
REL DT.	WMO	Jaragua do Sul	Product Engineering	SHEET	1 / 1		

PREVIEW
WDD





NEMA
Premium
W22



FOR SAFE AREA
Mod.TE1BFOXON
CC029A



Class I, Div 2, Gr A, B, C and D - T3
Class I, Zone 2, IIC - T3
Class II, Div 2, Gr F and G - T3C
For use on PWM: Gr. A, B, C, D and F,
VT 1000:1, CT 20:1, 1.00SF - T3

HT200504NPBBW22447T

Inverter Duty Motor
Severe Duty

PH3 60Hz Fr. 445/7T 1000m.a.s.l. IP55 TEFC 2199lb

V 575

A 184

HP 200

kW 150

SF 1.15

SFA 212

RPM 1785

PF 0.85

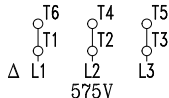
AMB 40°C

INS cl. F DT80K

NEMA NOM EFF 96.2%

DUTY CONT.

DES B Code G

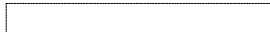


→ 6319-C3 (45g)

→ 6316-C3 (34g)



MOBIL POLYREX EM (8000h)



MADE IN BRAZIL
11165038