

DATA SHEET



Three Phase Induction Motor - Squirrel Cage

Customer :				
Product line	: Premium Efficiency Three-Phase	Product code :	12808928	
		Catalog # :	.2512OT3E56C-S	
Frame	: 56C	Cooling method	: IC01 - ODP	
Insulation class	: F	Mounting	: F-1	
Duty cycle	: Cont.(S1)	Rotation ¹	: Both (CW and CCW)	
Ambient temperature	: -20°C to +40°C	Starting method	: Direct On Line	
Altitude	: 1000 m.a.s.l.	Approx. weight ²	: 17.1 lb	
		Moment of inertia (J)	: 0.0622 sq.ft.lb	
Output [HP]	0.25	0.25	0.25	
Poles	6	6	6	
Frequency [Hz]	60	50	50	
Rated voltage [V]	208-230/460	190/380	220/415	
Rated current [A]	1.21-1.10/0.549	1.18/0.588	1.13/0.597	
L. R. Amperes [A]	5.83-5.27/2.64	4.70/2.35	4.73/2.51	
LRC [A]	4.8x(Code K)	4.0x(Code G)	4.2x(Code H)	
No load current [A]	0.862-1.00/0.500	0.942/0.471	0.956/0.507	
Rated speed [RPM]	1160	950	955	
Slip [%]	3.33	5.00	4.50	
Rated torque [ft.lb]	1.13	1.38	1.37	
Locked rotor torque [%]	210	160	180	
Breakdown torque [%]	280	220	250	
Service factor		1.35	1.35	
Temperature rise	80 K	80 K	80 K	
Locked rotor time	72s (cold) 40s (hot)	82s (cold) 46s (hot)	73s (cold) 41s (hot)	
Noise level ²	50.0 dB(A)	48.0 dB(A)	48.0 dB(A)	
Efficiency (%)	25%	52.2	55.9	52.7
	50%	55.0	57.9	55.3
	75%	64.0	64.3	62.8
	100%	67.5	66.4	65.9
Power Factor	25%	0.22	0.27	0.25
	50%	0.41	0.48	0.45
	75%	0.52	0.60	0.56
	100%	0.61	0.70	0.66
Bearing type	: Drive end 6203 ZZ Non drive end 6202 ZZ	Foundation loads		
Sealing	: Without Without Bearing Seal Bearing Seal	Max. traction	: 25 lb	
		Max. compression	: 42 lb	
Lubrication interval	: - -			
Lubricant amount	: - -			
Lubricant type	: Mobil Polyrex EM			
Notes USABLE @208V SF 1.00				
This revision replaces and cancel the previous one, which must be eliminated. (1) Looking the motor from the shaft end. (2) Measured at 1m and with tolerance of +3dB(A). (3) Approximate weight subject to changes after manufacturing process. (4) At 100% of full load.		These are average values based on tests with sinusoidal power supply, subject to the tolerances stipulated in NEMA MG-1.		
Rev.	Changes Summary	Performed	Checked	Date
Performed by				
Checked by			Page	Revision
Date	14/04/2022		1 / 10	

TORQUE AND CURRENT VS SPEED CURVE

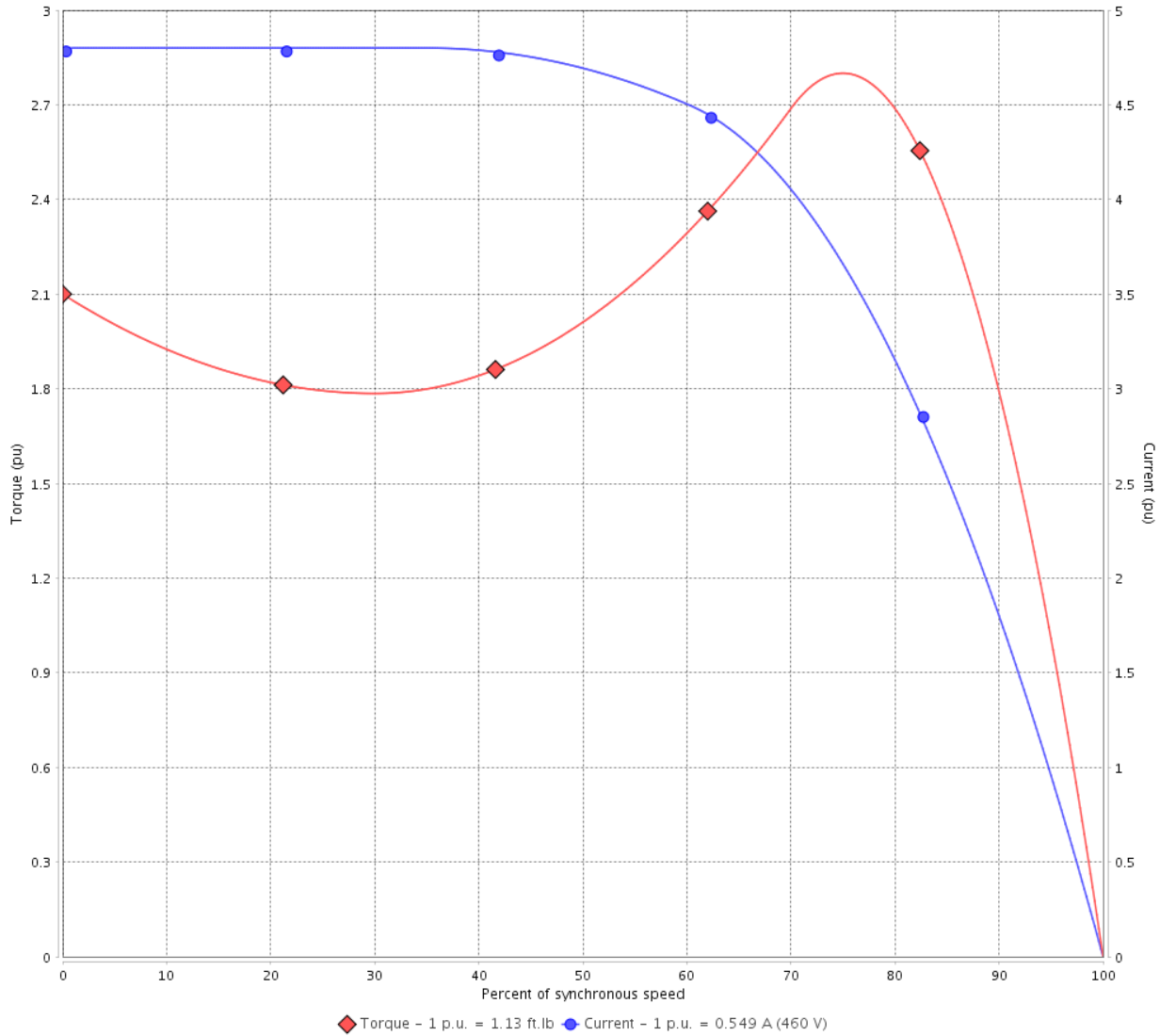
Three Phase Induction Motor - Squirrel Cage



Customer :

Product line : Premium Efficiency Three-Phase Product code : 12808928
 Catalog # : .2512OT3E56C-S

TORQUE AND CURRENT VS SPEED CURVE



Performance : 208-230/460 V 60 Hz 6P

Rated current	: 1.21-1.10/0.549 A	Moment of inertia (J)	: 0.0622 sq.ft.lb
LRC	: 4.8	Duty cycle	: Cont.(S1)
Rated torque	: 1.13 ft.lb	Insulation class	: F
Locked rotor torque	: 210 %	Service factor	:
Breakdown torque	: 280 %	Temperature rise	: 80 K
Rated speed	: 1160 rpm		

Locked rotor time : 72s (cold) 40s (hot)

Rev.	Changes Summary	Performed	Checked	Date
Performed by			Page 2 / 10	Revision
Checked by				
Date	14/04/2022			

TORQUE AND CURRENT VS SPEED CURVE



Three Phase Induction Motor - Squirrel Cage

Customer : _____

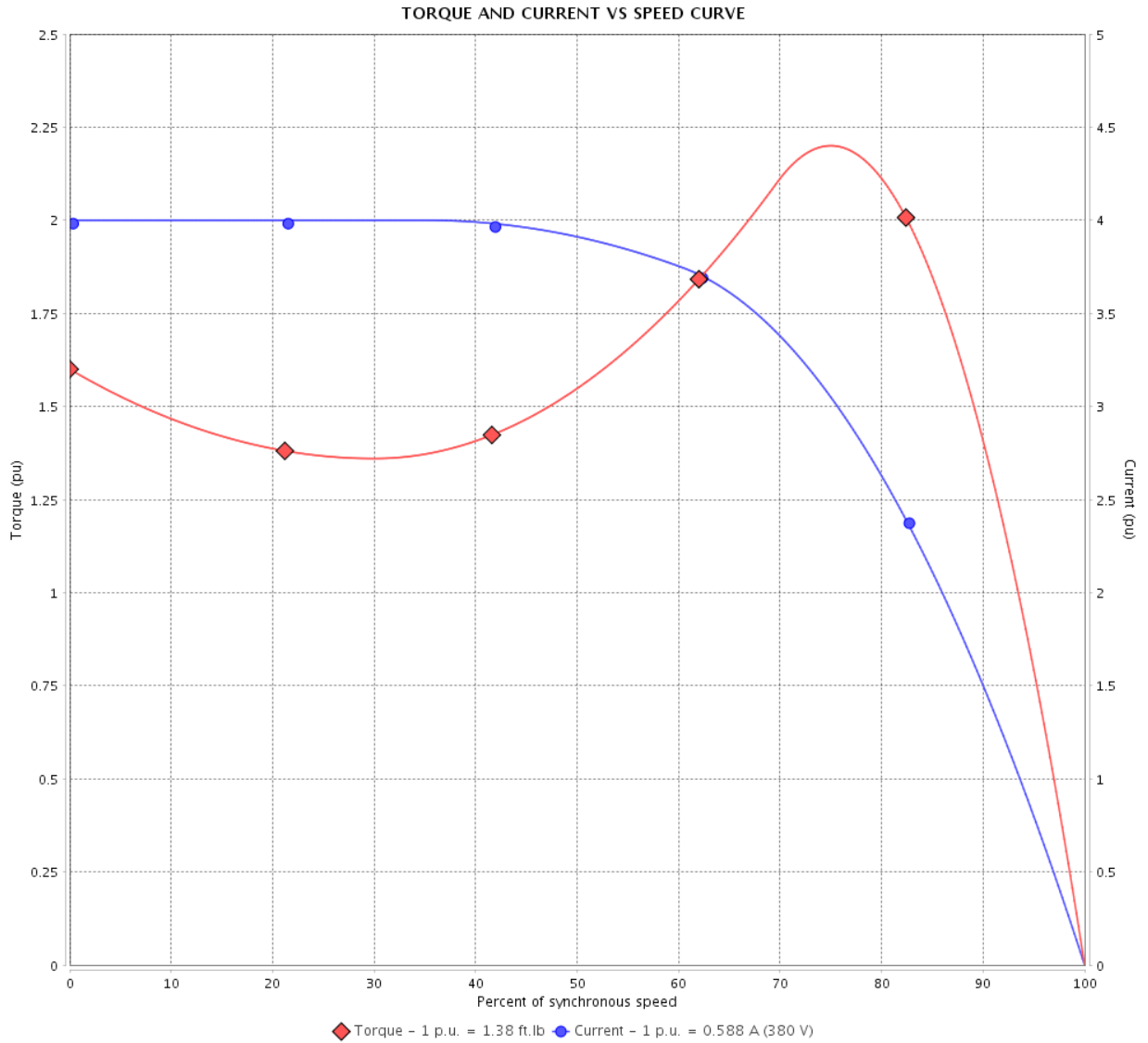
Product line : Premium Efficiency Three-Phase

Product code :

12808928

Catalog # :

.2512OT3E56C-S



Performance : 190/380 V 50 Hz 6P

Rated current : 1.18/0.588 A
 LRC : 4.0
 Rated torque : 1.38 ft.lb
 Locked rotor torque : 160 %
 Breakdown torque : 220 %
 Rated speed : 950 rpm

Moment of inertia (J) : 0.0622 sq.ft.lb
 Duty cycle : Cont.(S1)
 Insulation class : F
 Service factor : 1.35
 Temperature rise : 80 K

Locked rotor time : 82s (cold) 46s (hot)

Rev.	Changes Summary	Performed	Checked	Date
Performed by			Page 3 / 10	Revision
Checked by				
Date	14/04/2022			

TORQUE AND CURRENT VS SPEED CURVE

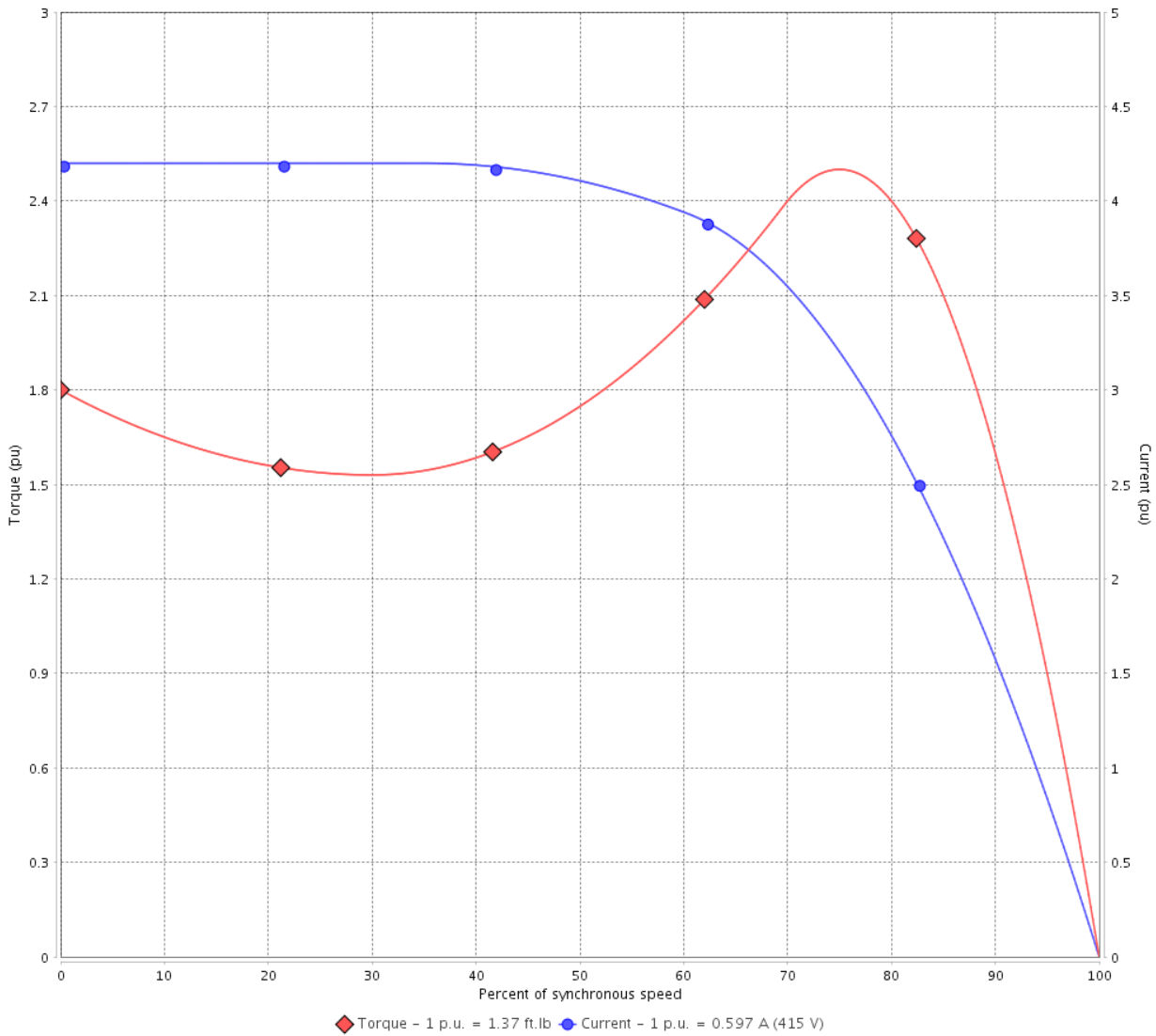
Three Phase Induction Motor - Squirrel Cage



Customer :

Product line : Premium Efficiency Three-Phase Product code : 12808928
 Catalog # : .2512OT3E56C-S

TORQUE AND CURRENT VS SPEED CURVE



Performance : 220/415 V 50 Hz 6P

Rated current	: 1.13/0.597 A	Moment of inertia (J)	: 0.0622 sq.ft.lb
LRC	: 4.2	Duty cycle	: Cont.(S1)
Rated torque	: 1.37 ft.lb	Insulation class	: F
Locked rotor torque	: 180 %	Service factor	: 1.35
Breakdown torque	: 250 %	Temperature rise	: 80 K
Rated speed	: 955 rpm		

Locked rotor time : 73s (cold) 41s (hot)

Rev.	Changes Summary	Performed	Checked	Date
Performed by			Page 4 / 10	Revision
Checked by				
Date	14/04/2022			

LOAD PERFORMANCE CURVE

Three Phase Induction Motor - Squirrel Cage



Customer : _____

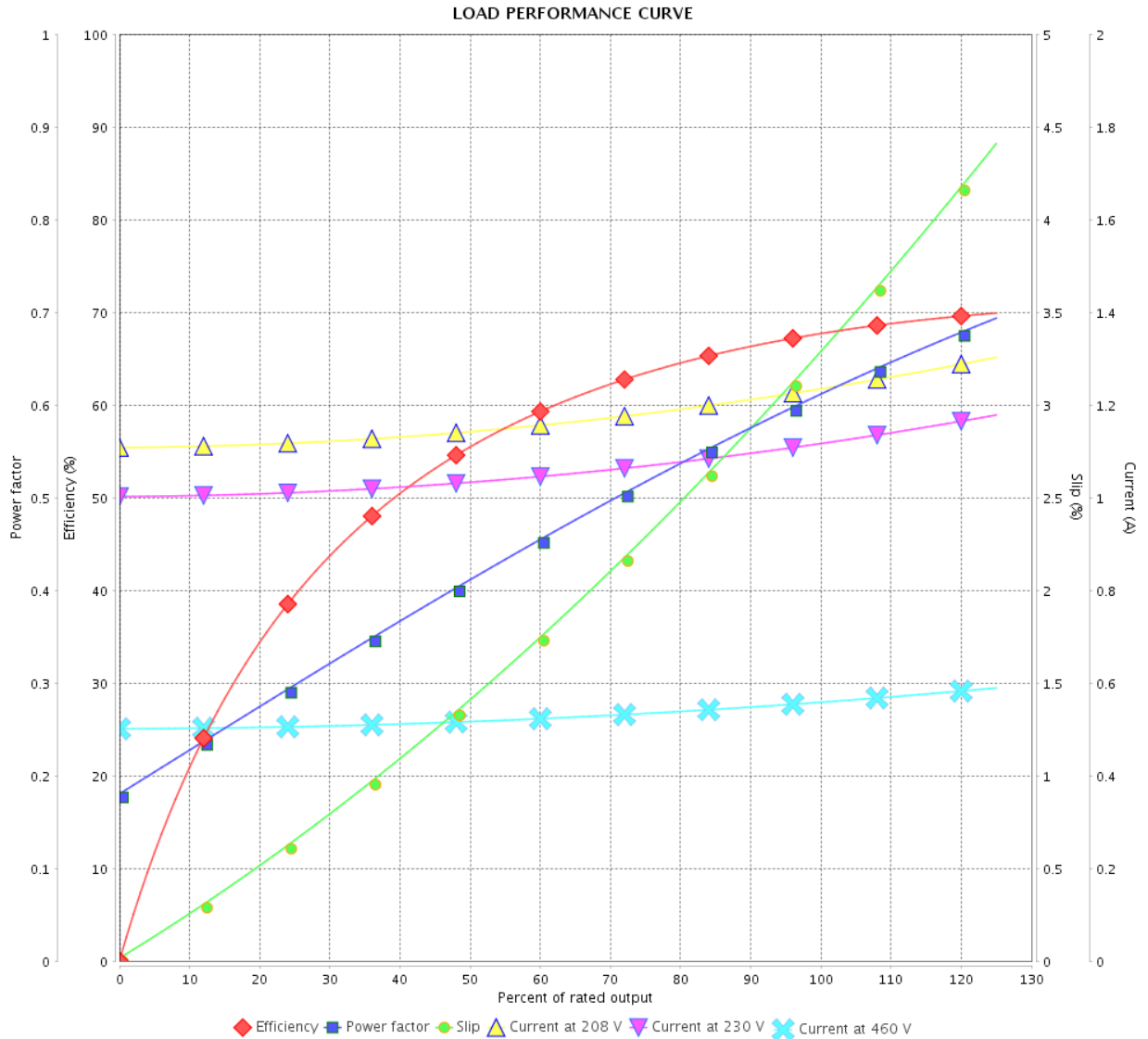
Product line : Premium Efficiency Three-Phase

Product code :

12808928

Catalog # :

.2512OT3E56C-S



Performance : 208-230/460 V 60 Hz 6P

Rated current : 1.21-1.10/0.549 A
 LRC : 4.8
 Rated torque : 1.13 ft.lb
 Locked rotor torque : 210 %
 Breakdown torque : 280 %
 Rated speed : 1160 rpm

Moment of inertia (J) : 0.0622 sq.ft.lb
 Duty cycle : Cont.(S1)
 Insulation class : F
 Service factor :
 Temperature rise : 80 K

Rev.	Changes Summary	Performed	Checked	Date
Performed by			Page	Revision
Checked by				
Date				

LOAD PERFORMANCE CURVE

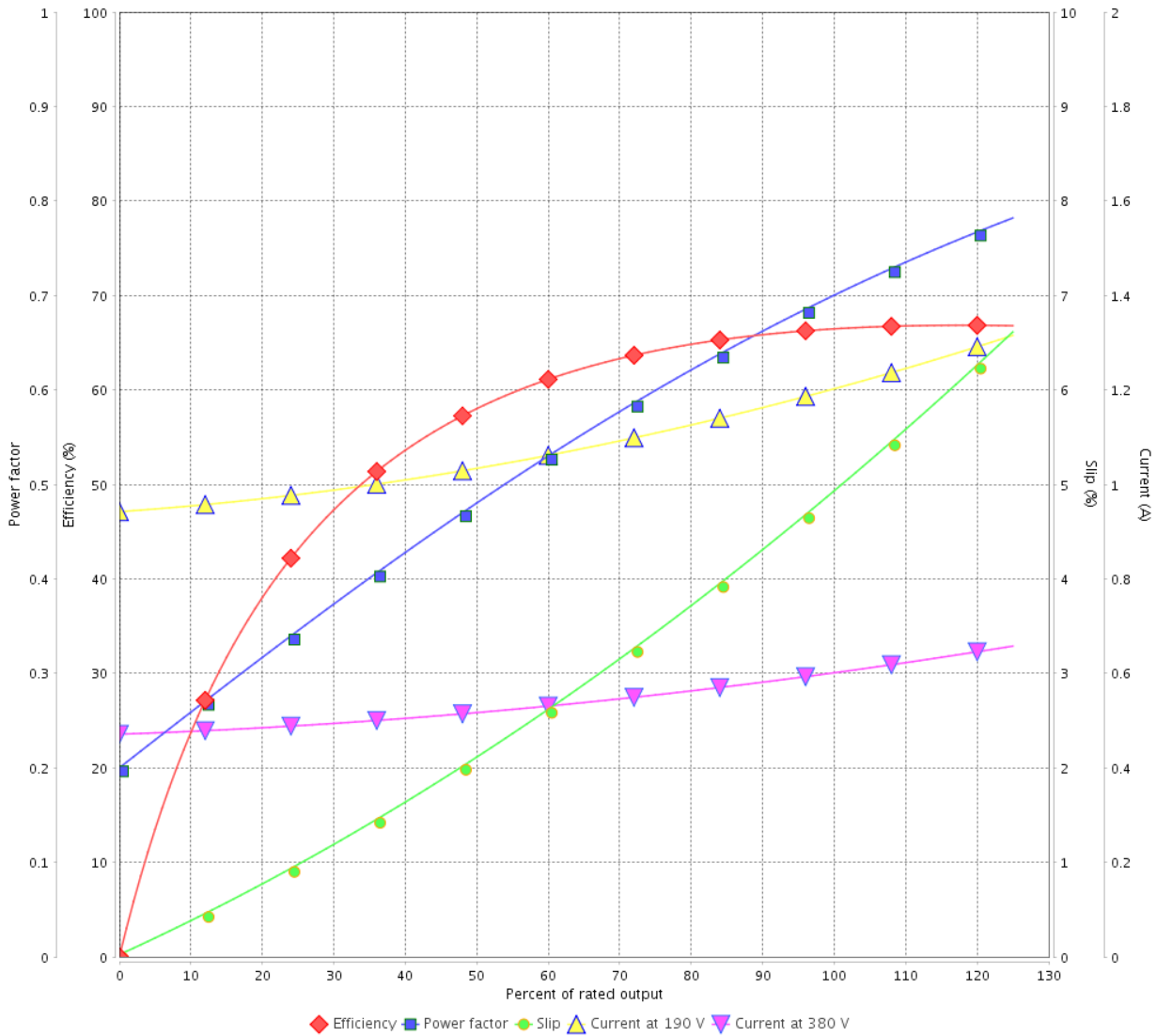
Three Phase Induction Motor - Squirrel Cage



Customer :

Product line : Premium Efficiency Three-Phase Product code : 12808928
 Catalog # : .2512OT3E56C-S

LOAD PERFORMANCE CURVE



Performance : 190/380 V 50 Hz 6P

Rated current	: 1.18/0.588 A	Moment of inertia (J)	: 0.0622 sq.ft.lb
LRC	: 4.0	Duty cycle	: Cont.(S1)
Rated torque	: 1.38 ft.lb	Insulation class	: F
Locked rotor torque	: 160 %	Service factor	: 1.35
Breakdown torque	: 220 %	Temperature rise	: 80 K
Rated speed	: 950 rpm		

Rev.	Changes Summary	Performed	Checked	Date
Performed by				
Checked by			Page	Revision
Date	14/04/2022		6 / 10	

LOAD PERFORMANCE CURVE

Three Phase Induction Motor - Squirrel Cage



Customer : _____

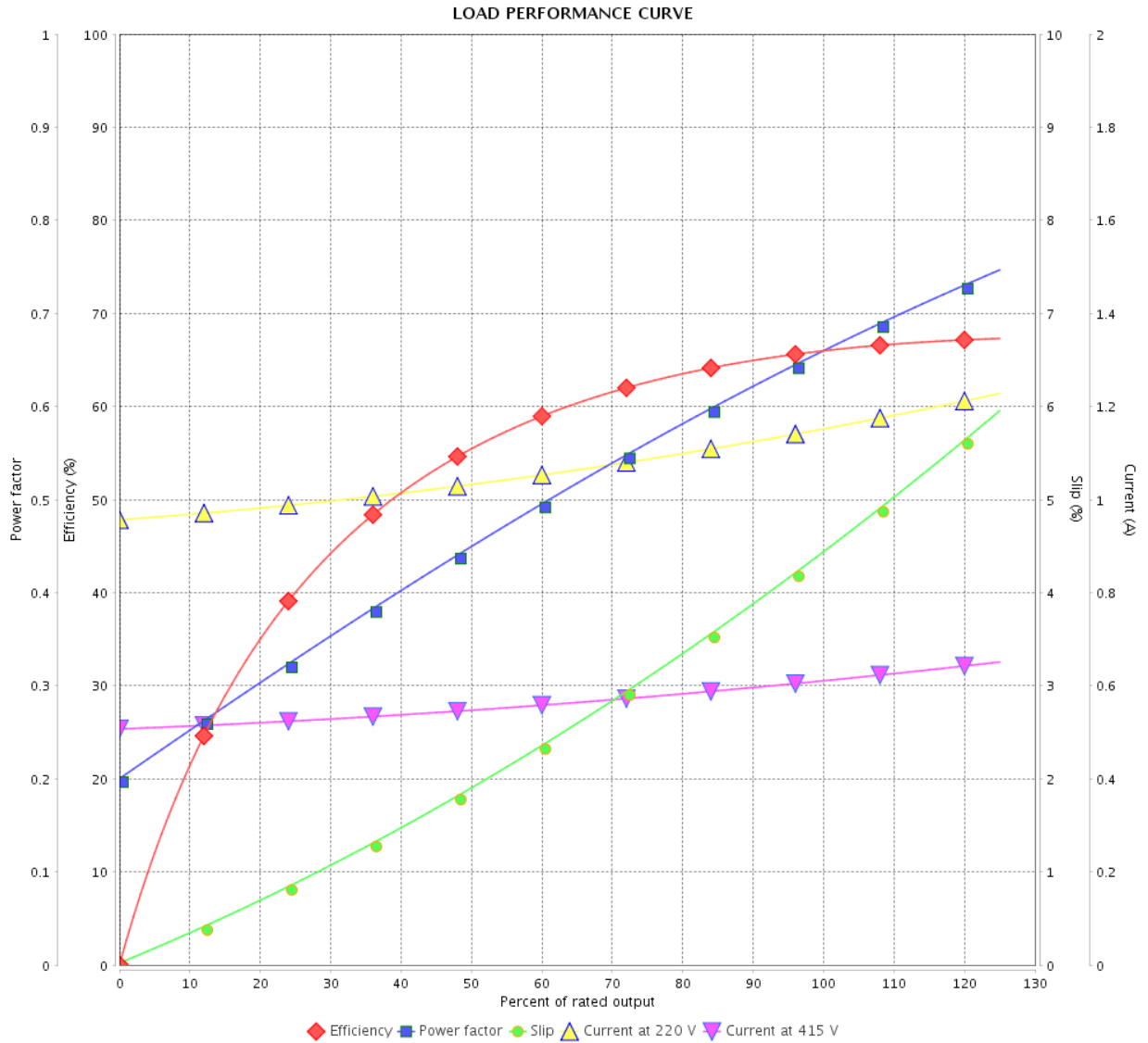
Product line : Premium Efficiency Three-Phase

Product code :

12808928

Catalog # :

.2512OT3E56C-S



Performance : 220/415 V 50 Hz 6P

Rated current : 1.13/0.597 A
 LRC : 4.2
 Rated torque : 1.37 ft.lb
 Locked rotor torque : 180 %
 Breakdown torque : 250 %
 Rated speed : 955 rpm

Moment of inertia (J) : 0.0622 sq.ft.lb
 Duty cycle : Cont.(S1)
 Insulation class : F
 Service factor : 1.35
 Temperature rise : 80 K

Rev.	Changes Summary	Performed	Checked	Date
Performed by		Page		Revision
Checked by		7 / 10		
Date		14/04/2022		

THERMAL LIMIT CURVE

Three Phase Induction Motor - Squirrel Cage



Customer : _____

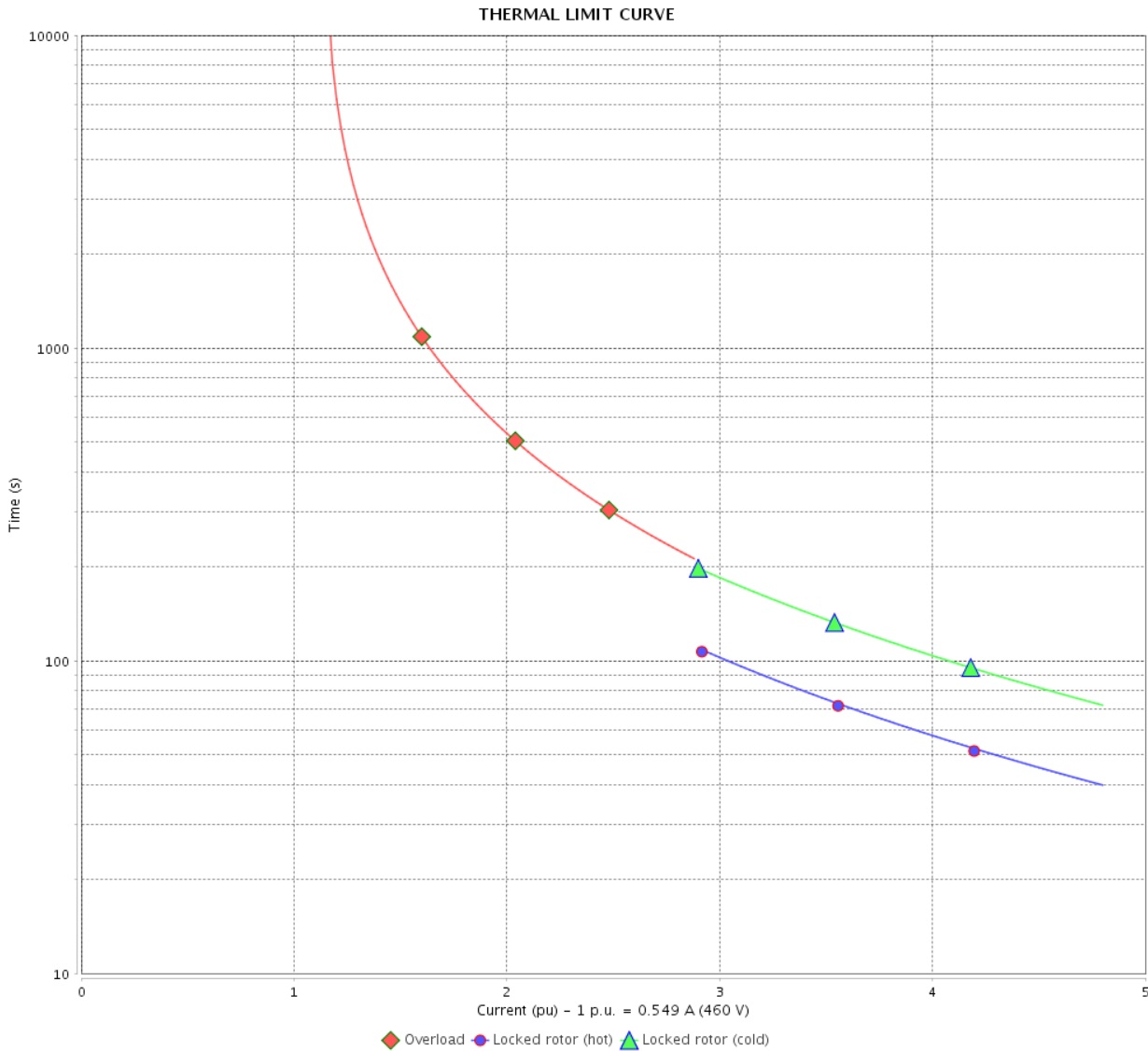
Product line : Premium Efficiency Three-Phase

Product code :

12808928

Catalog # :

.2512OT3E56C-S



Performance : 208-230/460 V 60 Hz 6P

Rated current : 1.21-1.10/0.549 A
 LRC : 4.8
 Rated torque : 1.13 ft.lb
 Locked rotor torque : 210 %
 Breakdown torque : 280 %
 Rated speed : 1160 rpm

Moment of inertia (J) : 0.0622 sq.ft.lb
 Duty cycle : Cont.(S1)
 Insulation class : F
 Service factor :
 Temperature rise : 80 K

Heating constant

Cooling constant

Rev.	Changes Summary	Performed	Checked	Date
Performed by	14/04/2022	Page		Revision
Checked by		8 / 10		
Date				

THERMAL LIMIT CURVE

Three Phase Induction Motor - Squirrel Cage



Customer : _____

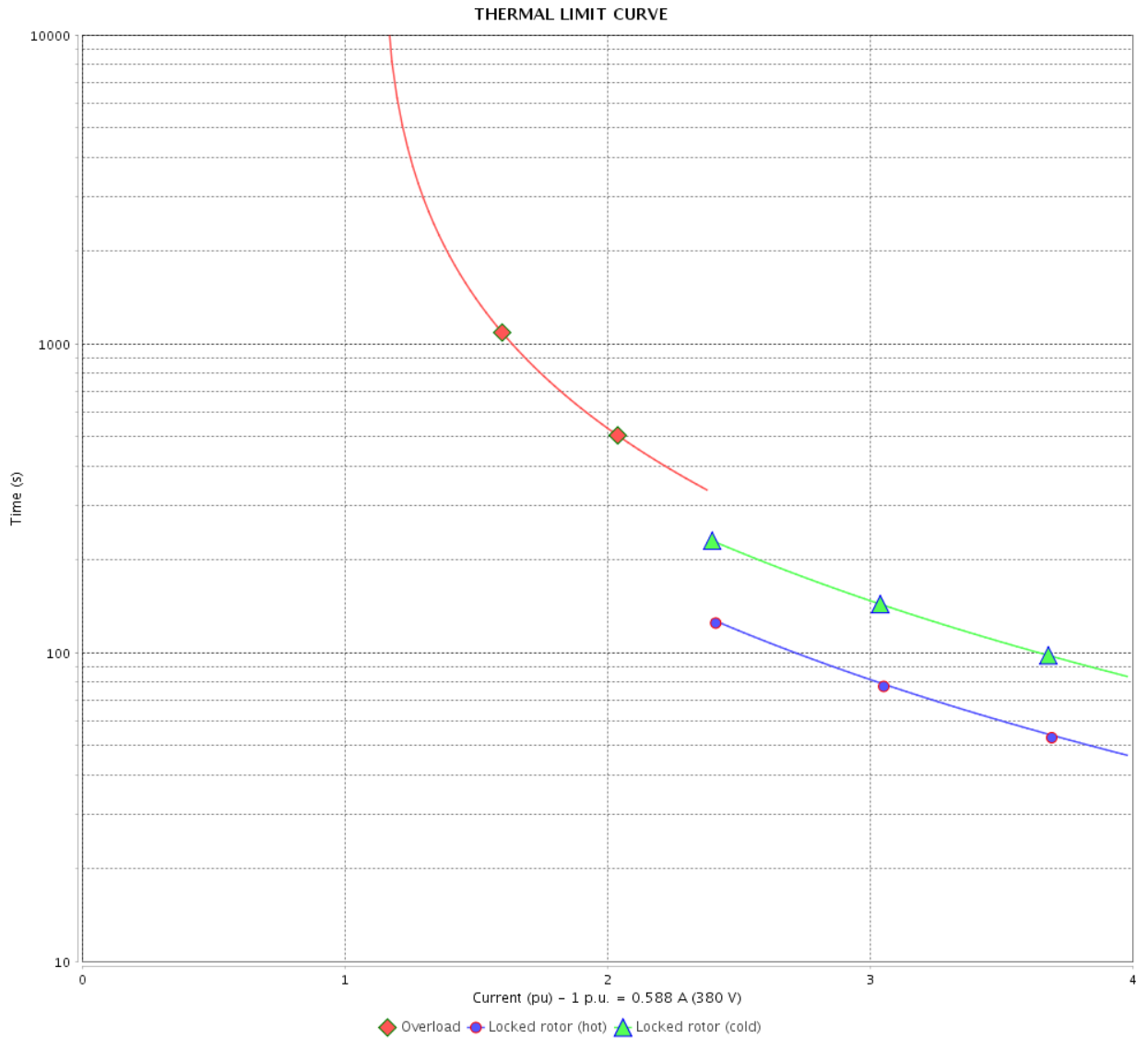
Product line : Premium Efficiency Three-Phase

Product code :

12808928

Catalog # :

.2512OT3E56C-S



Performance : 190/380 V 50 Hz 6P

Rated current : 1.18/0.588 A
 LRC : 4.0
 Rated torque : 1.38 ft.lb
 Locked rotor torque : 160 %
 Breakdown torque : 220 %
 Rated speed : 950 rpm

Moment of inertia (J) : 0.0622 sq.ft.lb
 Duty cycle : Cont.(S1)
 Insulation class : F
 Service factor : 1.35
 Temperature rise : 80 K

Heating constant

Cooling constant

Rev.	Changes Summary	Performed	Checked	Date
Performed by				
Checked by				
Date				
		Page	Revision	
		9 / 10		

THERMAL LIMIT CURVE

Three Phase Induction Motor - Squirrel Cage



Customer : _____

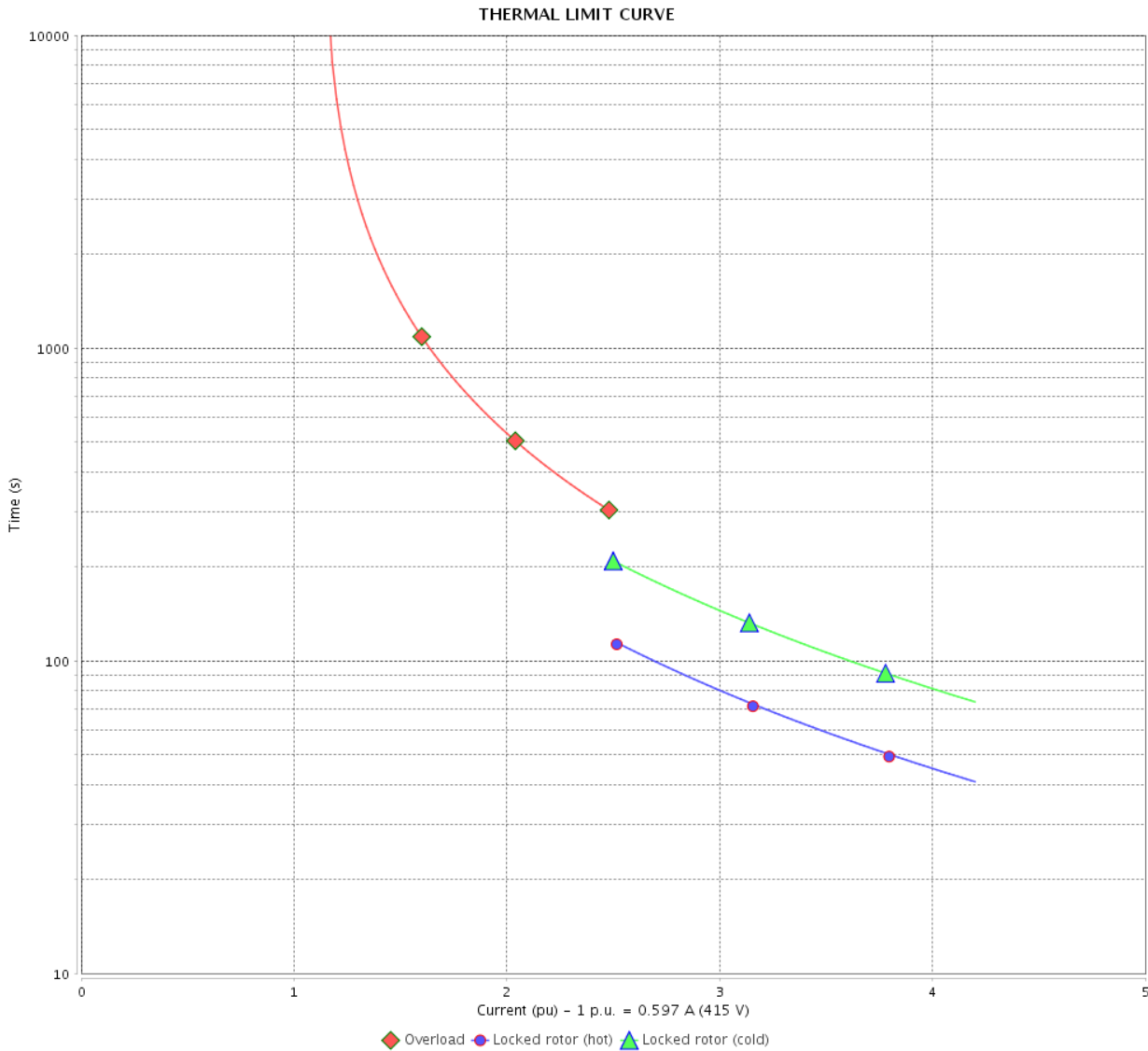
Product line : Premium Efficiency Three-Phase

Product code :

12808928

Catalog # :

.2512OT3E56C-S



Performance : 220/415 V 50 Hz 6P

Rated current : 1.13/0.597 A
 LRC : 4.2
 Rated torque : 1.37 ft.lb
 Locked rotor torque : 180 %
 Breakdown torque : 250 %
 Rated speed : 955 rpm

Moment of inertia (J) : 0.0622 sq.ft.lb
 Duty cycle : Cont.(S1)
 Insulation class : F
 Service factor : 1.35
 Temperature rise : 80 K

Heating constant

Cooling constant

Rev.	Changes Summary	Performed	Checked	Date
Performed by		Page		Revision
Checked by		10 / 10		
Date		14/04/2022		

1 2 3 4 5 6

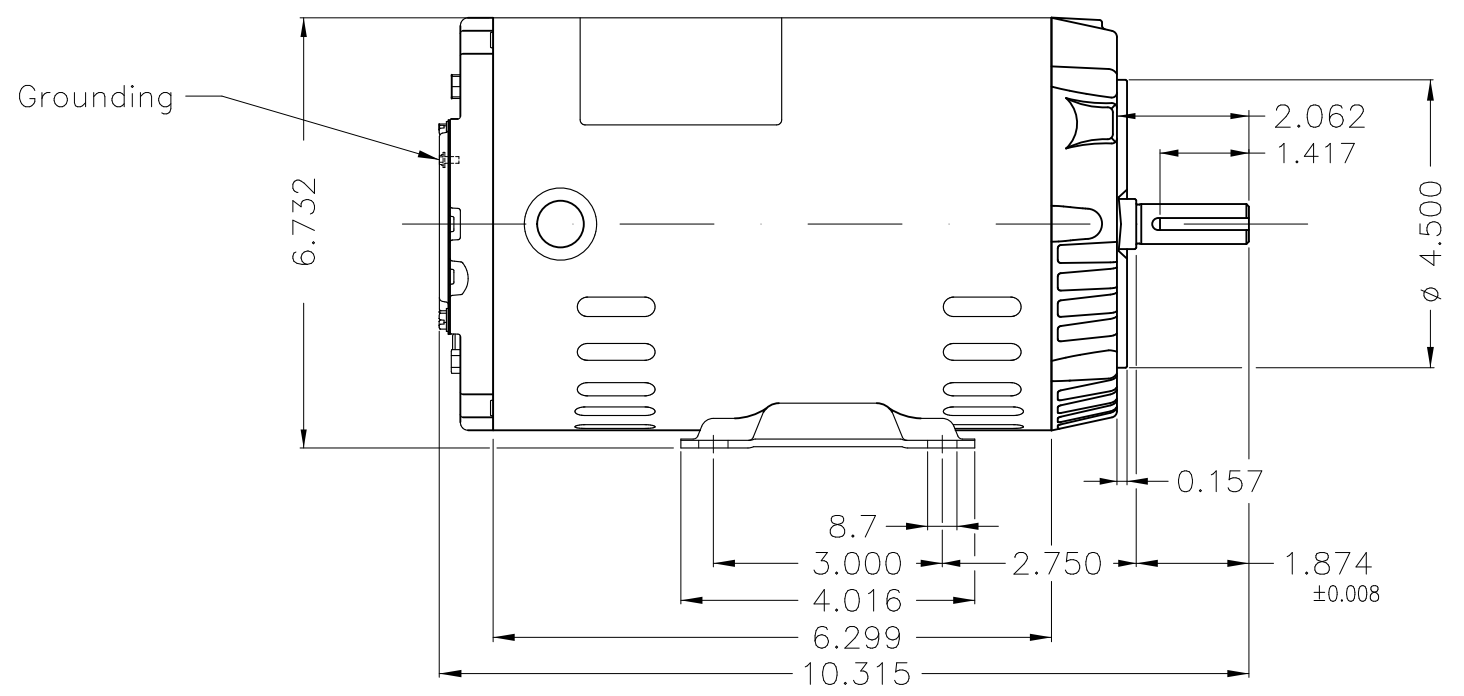
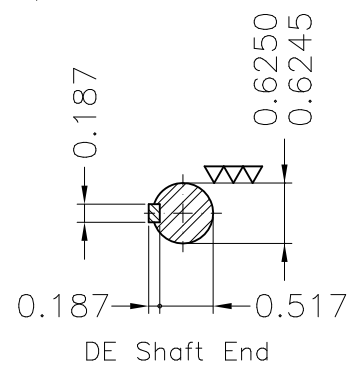
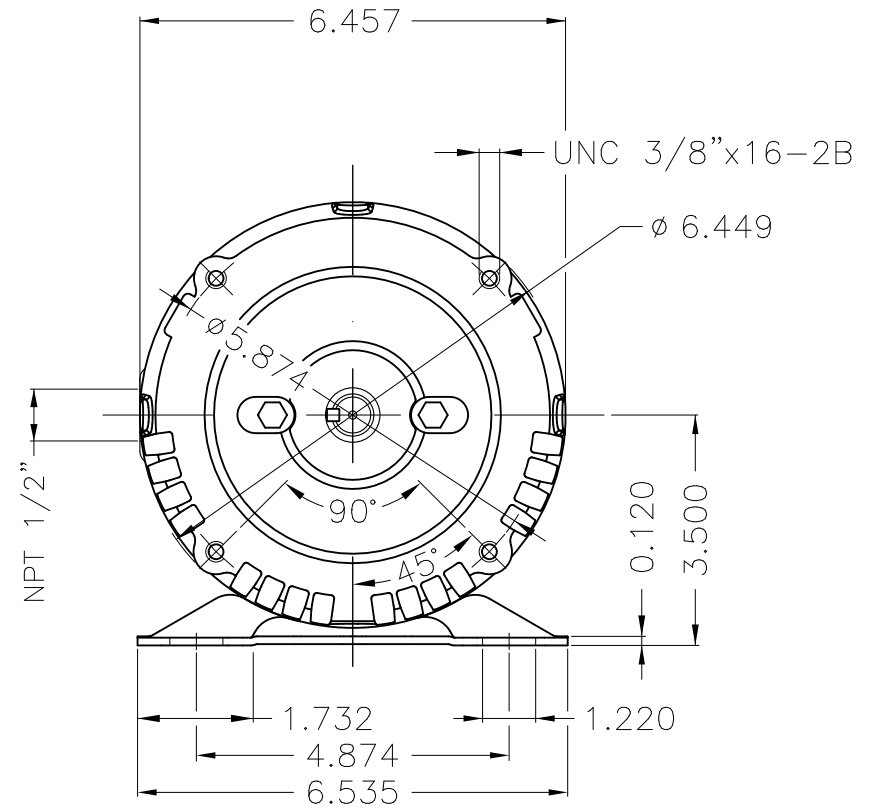
A

B

C

D

E



Dimensions in inches

Without coating										
Mounting F-1/B34R(D)										
ECM	LOC	SUMMARY OF MODIFICATIONS				EXECUTED	CHECKED	RELEASED	DATE	VER
EXECUTED	PIRWUSER	THREE PH. MOTOR ROLLED STEEL PREM. EFF.					PREVIEW WDD			
CHECKED		FRAME 56C IP21 ODP								
RELEASED										
REL DT.		WMO	Jaragua do Sul	Product Engineering	SHEET	1 / 1				

0.25 HP 06 Poles 60 Hz

A

XME A3

WEG
NEMA
Premium3PT9
US LISTED

MADE IN MEXICO

MAT: 12808928

W01.T00IC0X0X

MODEL .25120T3E56C-S
21NOV2018

PH 3	FR	56C	HP(KW)	0.25(0.18)	Hz	60
V	230/460		RPM	1160		
A	1.10/0.549		DUTY CONT.			

SFA	1.49/0.741		CODE	K	DES	-
SF	1.35	INS CL F	ΔT	80K	AMB	40°C
PF	0.61		AVG. F.L. EFF.	67.5%	ENCL	ODP

ALT 1000 m.a.s.l. USABLE @ 208V 1.21A SF1.00

ALTERNATE RATING: 0.25HP 50Hz 190-220/380-415V SF1.35

1.18-1.15/0.588-0.611A 950RPM EFF 65.1% (IE3) IEC 60034-1

T1-BLU T2-WHT
T3-ORG T4-YEL
T5-BLK T6-GRY
T7-PNK T8-RED
T9-BRK RED

INTERCHANGE ANY TWO LINE WIRES TO REVERSE THE ROTATION

Inverter duty For 60Hz use on VPWM 1000:1 VT, 5:1 CT

DE: 6203-ZZ ODE: 6202-ZZ MOBIL POLYREX EM

WARNING: Motor must be grounded in accordance with local and national electrical codes to prevent serious electrical shocks. Disconnect power source before servicing unit.

AVERTISSEMENT: Le moteur doit être mis à la terre conformément aux codes électriques locaux et nationaux afin d'éviter tout choc électrique grave. Déconnectez l'alimentation avant l'entretien de la machine.

