

DATA SHEET



Three Phase Induction Motor - Squirrel Cage

Customer :				
Product line	: NEMA Premium Efficiency Three-Phase			
Product code :	13827796			
Catalog # :	30012ET3HKD580Z-W22			
Frame : 586/7TZ Output : 300 HP (220 kW) Poles : 6 Frequency : 60 Hz Rated voltage : 575 V Rated current : 307 A L. R. Amperes : 2149 A LRC : 7.0x(Code J) No load current : 150 A Rated speed : 1193 rpm Slip : 0.58 % Rated torque : 1320 ft.lb Locked rotor torque : 240 % Breakdown torque : 260 % Insulation class : F Service factor : 1.15 Design : A	Locked rotor time : 46s (cold) 26s (hot) Temperature rise : 80 K Duty cycle : Cont.(S1) Ambient temperature : -20°C to +40°C Altitude : 1000 m.a.s.l. Protection degree : IP55 Cooling method : IC411 - TEFC Mounting : F-1 Rotation ¹ : Both (CW and CCW) Noise level ² : 77.0 dB(A) Starting method : Direct On Line Approx. weight ³ : 3865 lb			
Output	25% 50% 75% 100%			
Efficiency (%)	0.000 94.5 95.4 95.8			
Power Factor	0.00 0.57 0.69 0.75			
Foundation loads				
Max. traction	: 5230 lb			
Max. compression	: 9096 lb			
Bearing type	: <u>Drive end</u> NU-324 C3 <u>Non drive end</u> 6319 C3			
Sealing	: Taconite Labyrinth Taconite Labyrinth			
Lubrication interval	: 6000 h 13000 h			
Lubricant amount	: 72 g 45 g			
Lubricant type	: Mobil Polyrex EM			
Notes				
This revision replaces and cancel the previous one, which must be eliminated. (1) Looking the motor from the shaft end. (2) Measured at 1m and with tolerance of +3dB(A). (3) Approximate weight subject to changes after manufacturing process. (4) At 100% of full load.				
These are average values based on tests with sinusoidal power supply, subject to the tolerances stipulated in NEMA MG-1.				
Rev.	Changes Summary	Performed	Checked	Date
Performed by				
Checked by			Page	Revision
Date	12/04/2022		1 / 7	

DATA SHEET

Three Phase Induction Motor - Squirrel Cage



Customer : _____

Space heater information

Voltage: 200 - 240 V

Rev.	Changes Summary	Performed	Checked	Date
Performed by				
Checked by			Page	Revision
Date	12/04/2022		2 / 7	

TORQUE AND CURRENT VS SPEED CURVE



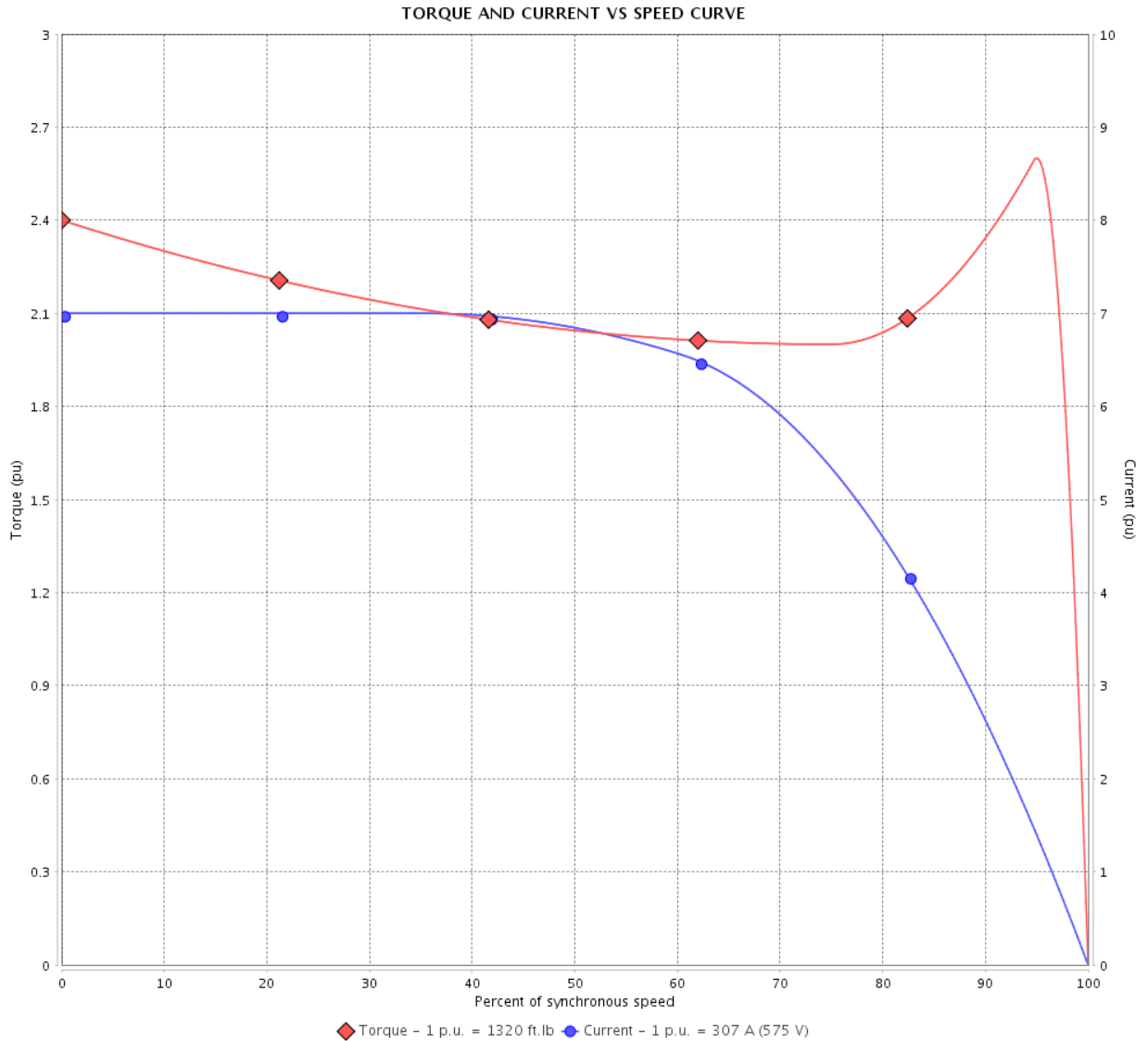
Three Phase Induction Motor - Squirrel Cage

Customer :

Product line : NEMA Premium Efficiency Three-Phase

Product code : 13827796

Catalog # : 30012ET3HKD580Z-W22



Performance : 575 V 60 Hz 6P

Rated current	: 307 A	Moment of inertia (J)	
LRC	: 7.0	Duty cycle	: Cont.(S1)
Rated torque	: 1320 ft.lb	Insulation class	: F
Locked rotor torque	: 240 %	Service factor	: 1.15
Breakdown torque	: 260 %	Temperature rise	: 80 K
Rated speed	: 1193 rpm	Design	: A

Locked rotor time : 46s (cold) 26s (hot)

Rev.	Changes Summary	Performed	Checked	Date
Performed by			Page 3 / 7	Revision
Checked by				
Date	12/04/2022			

LOAD PERFORMANCE CURVE

Three Phase Induction Motor - Squirrel Cage

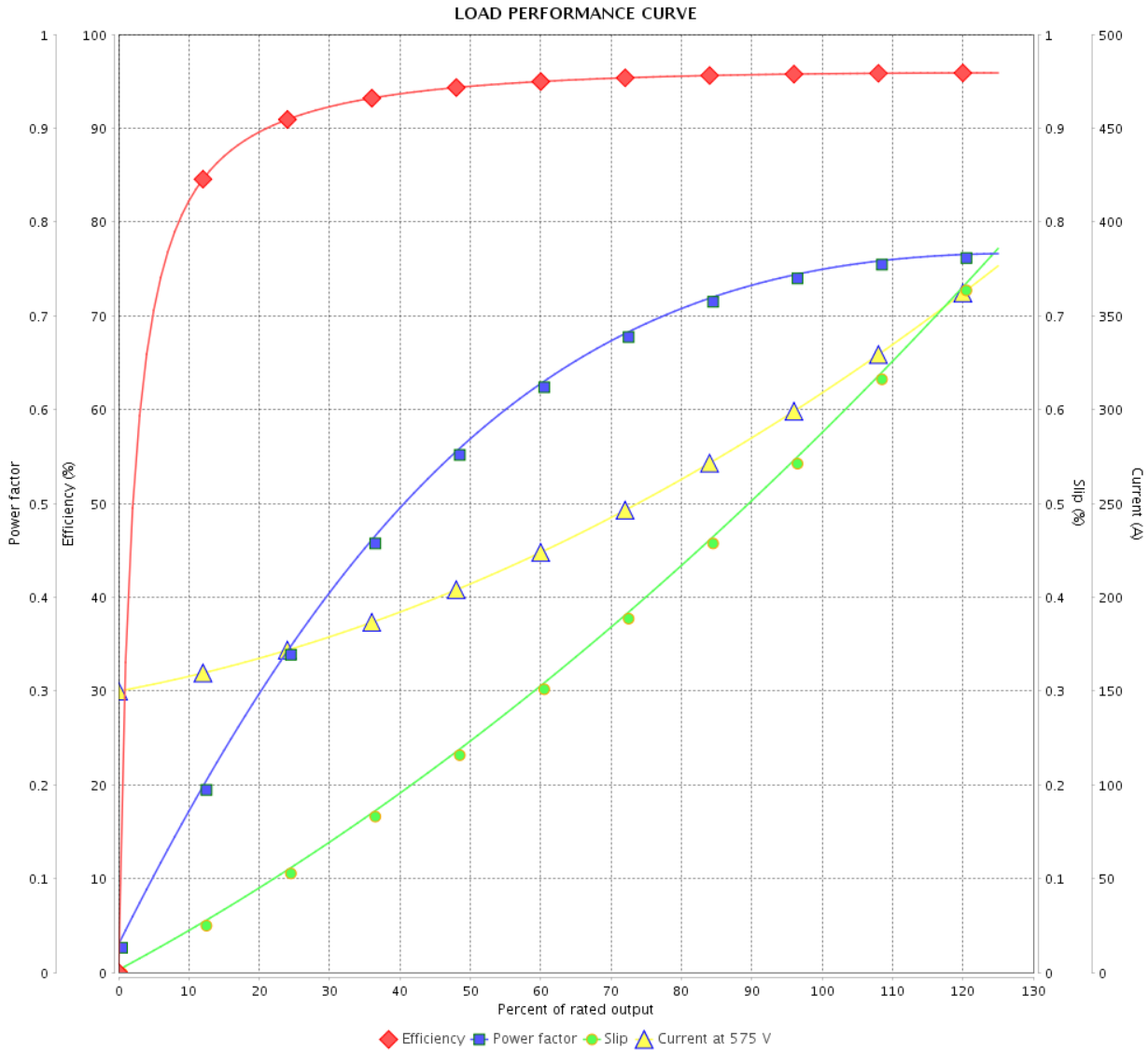


Customer :

Product line : NEMA Premium Efficiency Three-Phase

Product code : 13827796

Catalog # : 30012ET3HKD580Z-W22



Performance : 575 V 60 Hz 6P

Rated current : 307 A	Moment of inertia (J)
LRC : 7.0	Duty cycle : Cont.(S1)
Rated torque : 1320 ft.lb	Insulation class : F
Locked rotor torque : 240 %	Service factor : 1.15
Breakdown torque : 260 %	Temperature rise : 80 K
Rated speed : 1193 rpm	Design : A

Rev.	Changes Summary	Performed	Checked	Date
Performed by			Page	Revision
Checked by			4 / 7	
Date	12/04/2022			

THERMAL LIMIT CURVE



Three Phase Induction Motor - Squirrel Cage

Customer :

Product line : NEMA Premium Efficiency Three-Phase
 Product code : 13827796
 Catalog # : 30012ET3HKD580Z-W22

Performance : 575 V 60 Hz 6P

Rated current : 307 A	Moment of inertia (J)
LRC : 7.0	Duty cycle : Cont.(S1)
Rated torque : 1320 ft.lb	Insulation class : F
Locked rotor torque : 240 %	Service factor : 1.15
Breakdown torque : 260 %	Temperature rise : 80 K
Rated speed : 1193 rpm	Design : A

Heating constant

Cooling constant

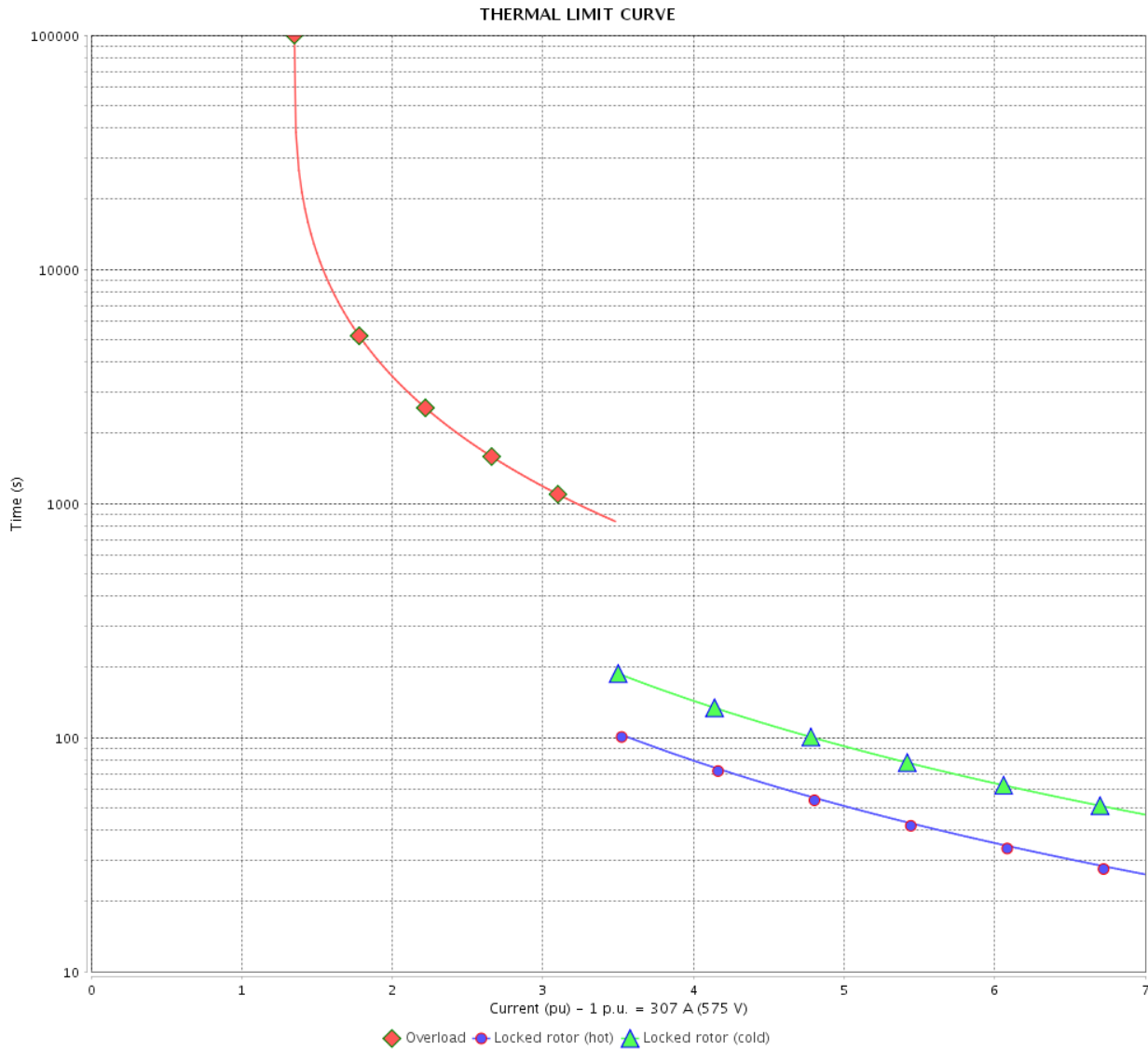
Rev.	Changes Summary	Performed	Checked	Date
Performed by			Page 5 / 7	Revision
Checked by				
Date	12/04/2022			

THERMAL LIMIT CURVE

Three Phase Induction Motor - Squirrel Cage



Customer : _____



Rev.	Changes Summary	Performed	Checked	Date
Performed by		Page		Revision
Checked by		6 / 7		
Date		12/04/2022		

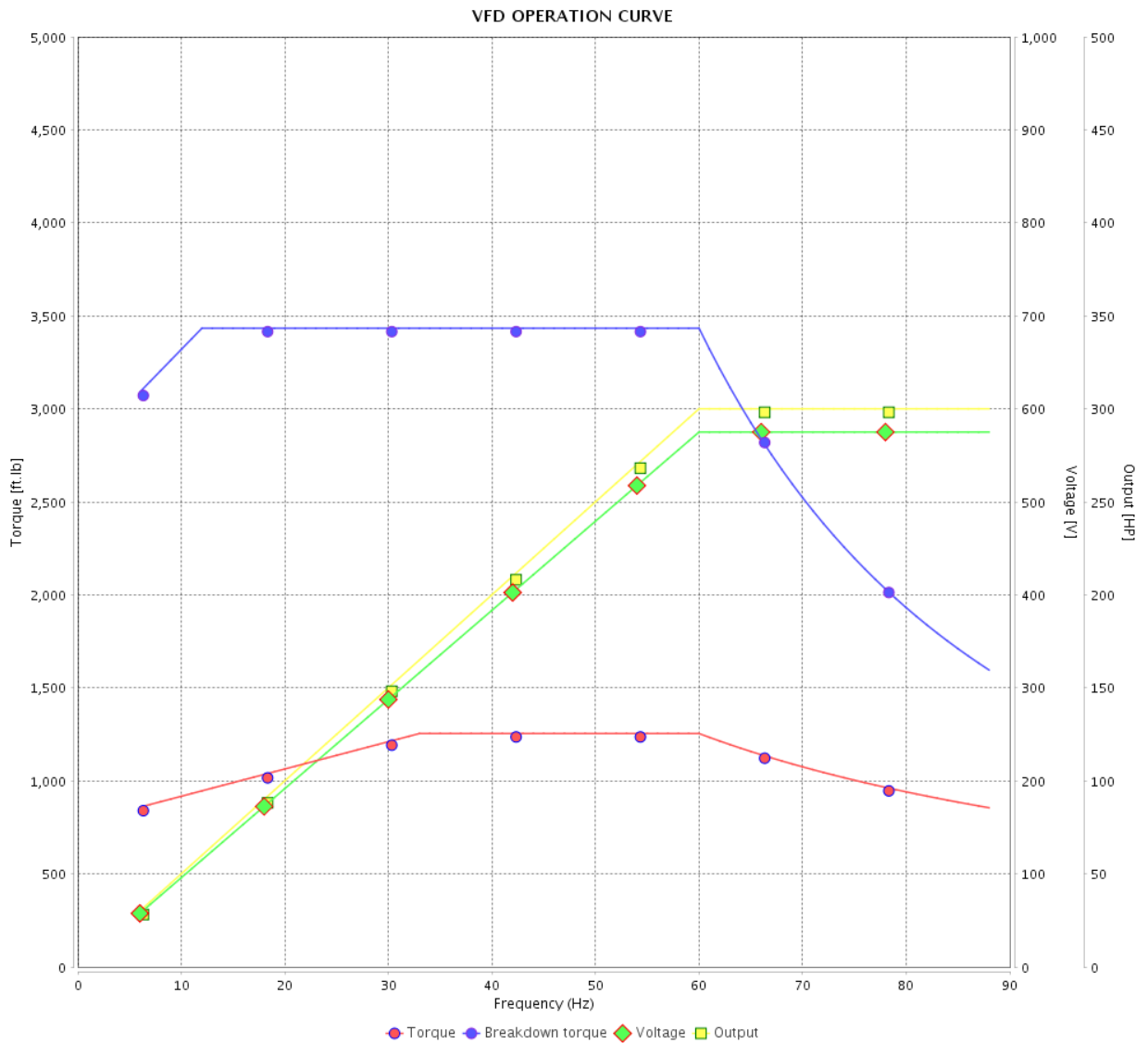
VFD OPERATION CURVE

Three Phase Induction Motor - Squirrel Cage



Customer :

Product line : NEMA Premium Efficiency Three-Phase
 Product code : 13827796
 Catalog # : 30012ET3HKD580Z-W22



Performance : 575 V 60 Hz 6P

Rated current : 307 A
 LRC : 7.0
 Rated torque : 1320 ft.lb
 Locked rotor torque : 240 %
 Breakdown torque : 260 %
 Rated speed : 1193 rpm

Moment of inertia (J)
 Duty cycle : Cont.(S1)
 Insulation class : F
 Service factor : 1.15
 Temperature rise : 80 K
 Design : A

Rev.	Changes Summary	Performed	Checked	Date
Performed by		Page		Revision
Checked by		7 / 7		
Date	12/04/2022			

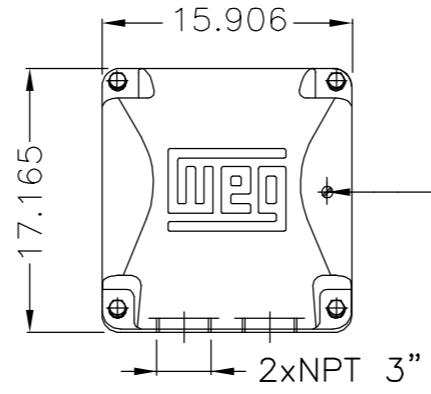
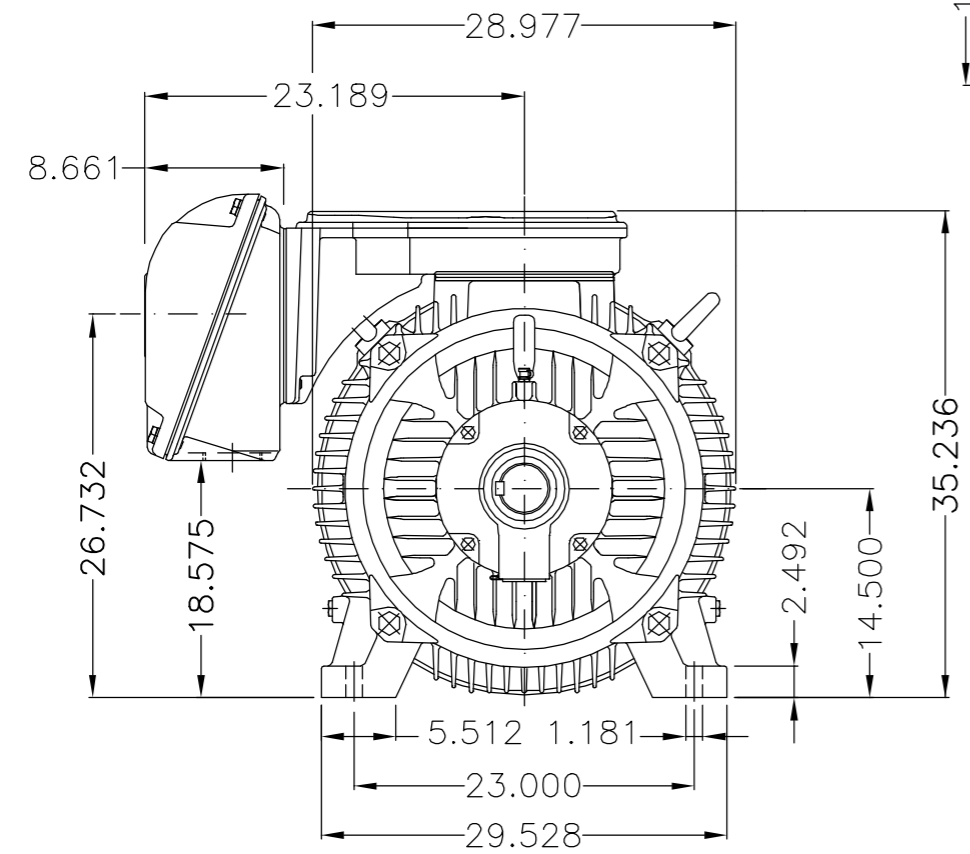
EIXO/SHAFT	
PADRÃO/STANDARD	
OPCIONAL/OPTIONAL	
ESPECIAL/SPECIAL	X

Dimensões em polegada
Dimensions in inches

CERTIFIED WEG MOTORES
Certified document.
Not subject to changes.

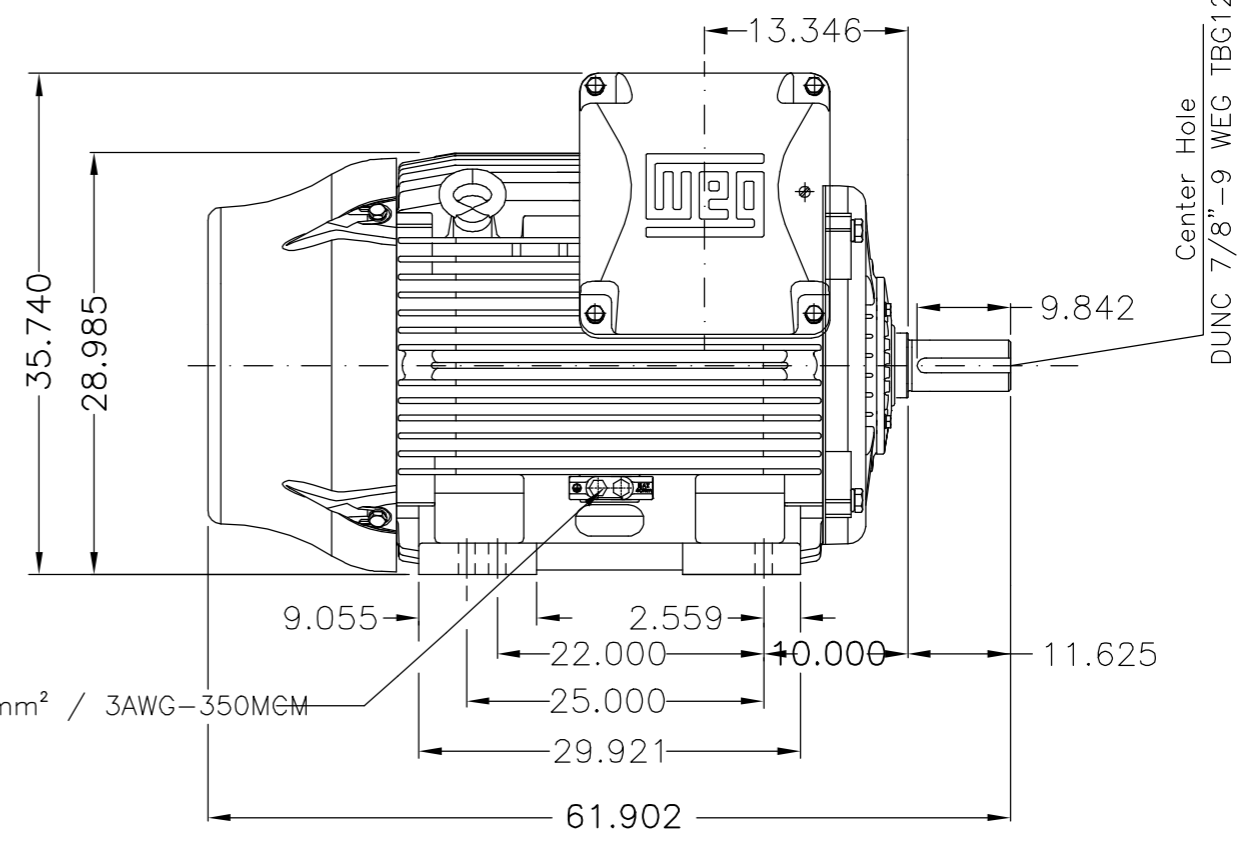
THIS IS AN UPDATED REVISION, THE PREVIOUS ONE MUST BE DISREGARDED.

A
B
C
D
E

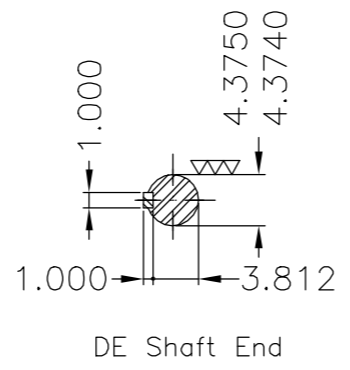


Main terminal box

Grounding for leads 35-120 mm² / 1-4/0 AWG



Grounding for leads 25-185 mm² / 3AWG-350MCM



DE Shaft End

- Rolamento dianteiro de rolos NU-324 / NU-324 DE roller bearing
- Tampa dianteira especial / Special DE endshield
- Categoria A / Design A
- Rolamento dianteiro de rolos / DE roller bearing
- Dispositivo de travamento de eixo / Shaft locking device
- Tampa traseira com mancal eletricamente isolado / NDE endshield with electrically insulated
- Cor RAL 5009 / Color RAL 5009
- Plano de pintura 203A / Painting plan 203A
- Forma construtiva NEMA F-1 / Mounting NEMA F-1
- Forma construtiva B3D / Mounting B3R(D)

WEG ELECTRIC CORPORATION - WEC

500001245282		ALT. CONF. CLAIM 414481094	DVEGINI	NSCHMIDT	23.11.2016	01
500001245282		DOCUMENTO NOVO	DVEGINI	NSCHMIDT	23.11.2016	00
ECM	LOC	SUMMARY OF MODIFICATIONS	EXECUTED	CHECKED	RELEASED	DATE VER
EXECUTED	DVEGINI	THREE PHASE W22 MOTOR - NEMA PREMIUM EFF FRAME 586/7Z IP55 TEFC			10004622356	
CHECKED					000 01	
RELEASED	NSCHMIDT					
REL DT	23.11.2016	WMO Jaraguá do Sul	Product Engineering	SHEET	1 / 1	

350 HP	04 Poles	60Hz	414481094/0	ELET/MEC	B
300 HP	06 Poles	60Hz	414481009/0	ELET/MEC	A

UNCONTROLLED COPY

RELEASED

ZME A3