

DATA SHEET



Three Phase Induction Motor - Squirrel Cage

Customer :				
Product line	: Premium Efficiency Three-Phase			
Product code :	13326499			
Catalog # :	.3318OT3H56-S			
Frame : 56 Output : 0.33 HP (0.25 kW) Poles : 4 Frequency : 60 Hz Rated voltage : 575 V Rated current : 0.534 A L. R. Amperes : 3.31 A LRC : 6.2x(Code L) No load current : 0.440 A Rated speed : 1765 rpm Slip : 1.94 % Rated torque : 0.982 ft.lb Locked rotor torque : 229 % Breakdown torque : 330 % Insulation class : F Service factor : 1.35 Moment of inertia (J) : 0.0453 sq.ft.lb	Locked rotor time : 64s (cold) 36s (hot) Temperature rise : 80 K Duty cycle : Cont.(S1) Ambient temperature : -20°C to +40°C Altitude : 1000 m.a.s.l. Cooling method : IC01 - ODP Mounting : F-1 Rotation ¹ : Both (CW and CCW) Noise level ² : 52.0 dB(A) Starting method : Direct On Line Approx. weight ³ : 17.3 lb			
Output	25% 50% 75% 100%			
Efficiency (%)	59.2 62.0 70.0 73.4			
Power Factor	0.24 0.44 0.55 0.64			
Foundation loads				
Max. traction	: 23 lb			
Max. compression	: 40 lb			
Bearing type	: <u>Drive end</u> 6203 ZZ <u>Non drive end</u> 6202 ZZ			
Sealing	: Without Bearing Seal Without Bearing Seal			
Lubrication interval	: - -			
Lubricant amount	: - -			
Lubricant type	: Mobil Polyrex EM			
Notes				
This revision replaces and cancel the previous one, which must be eliminated. (1) Looking the motor from the shaft end. (2) Measured at 1m and with tolerance of +3dB(A). (3) Approximate weight subject to changes after manufacturing process. (4) At 100% of full load.				
These are average values based on tests with sinusoidal power supply, subject to the tolerances stipulated in NEMA MG-1.				
Rev.	Changes Summary	Performed	Checked	Date
Performed by				
Checked by			Page	Revision
Date	11/04/2022		1 / 5	

TORQUE AND CURRENT VS SPEED CURVE

Three Phase Induction Motor - Squirrel Cage



Customer :

Product line : Premium Efficiency Three-Phase

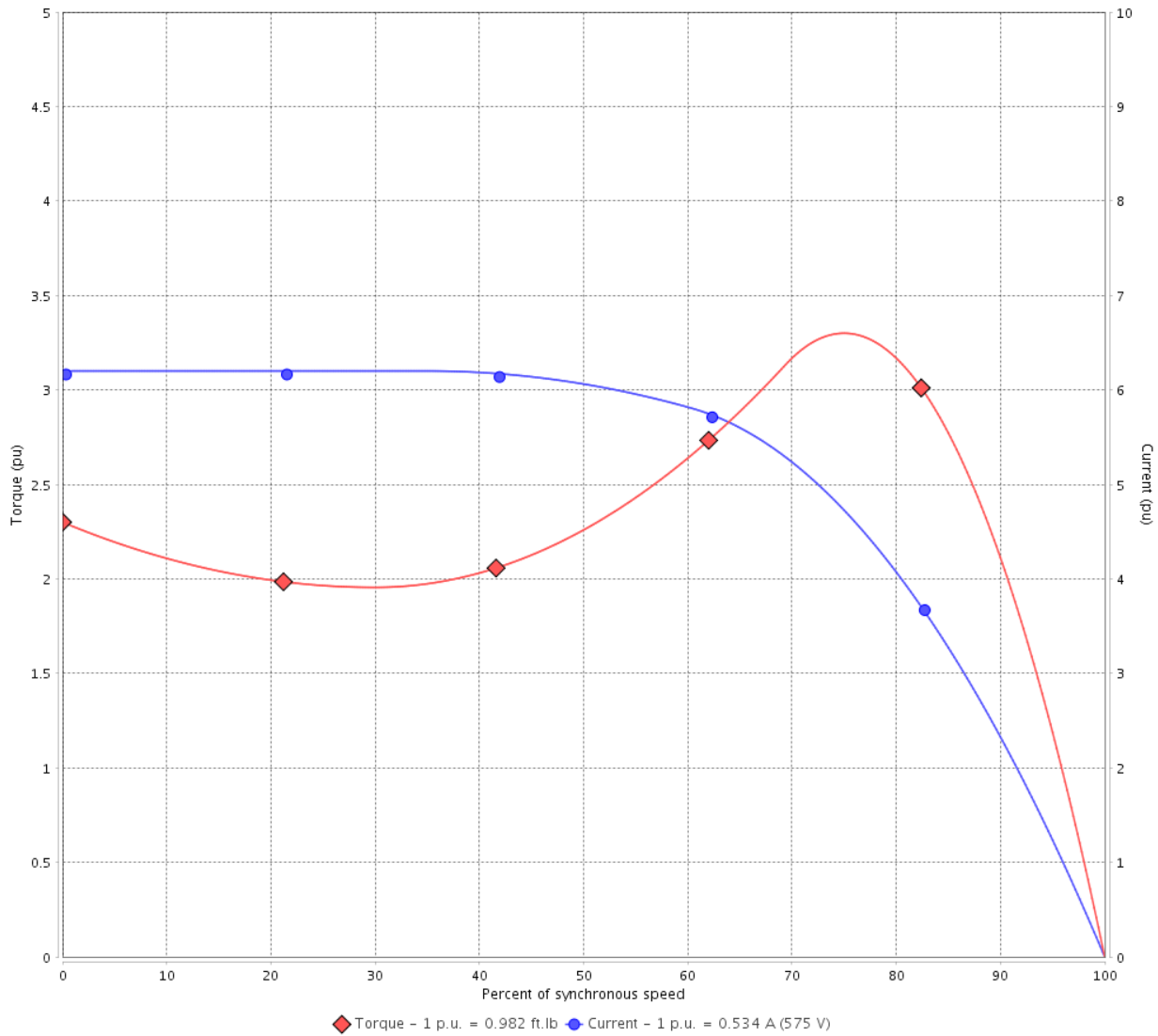
Product code :

13326499

Catalog # :

.3318OT3H56-S

TORQUE AND CURRENT VS SPEED CURVE



Performance : 575 V 60 Hz 4P

Rated current : 0.534 A
 LRC : 6.2
 Rated torque : 0.982 ft.lb
 Locked rotor torque : 229 %
 Breakdown torque : 330 %
 Rated speed : 1765 rpm

Moment of inertia (J) : 0.0453 sq.ft.lb
 Duty cycle : Cont.(S1)
 Insulation class : F
 Service factor : 1.35
 Temperature rise : 80 K

Locked rotor time : 64s (cold) 36s (hot)

Rev.	Changes Summary	Performed	Checked	Date
Performed by			Page 2 / 5	Revision
Checked by				
Date	11/04/2022			

LOAD PERFORMANCE CURVE

Three Phase Induction Motor - Squirrel Cage



Customer :

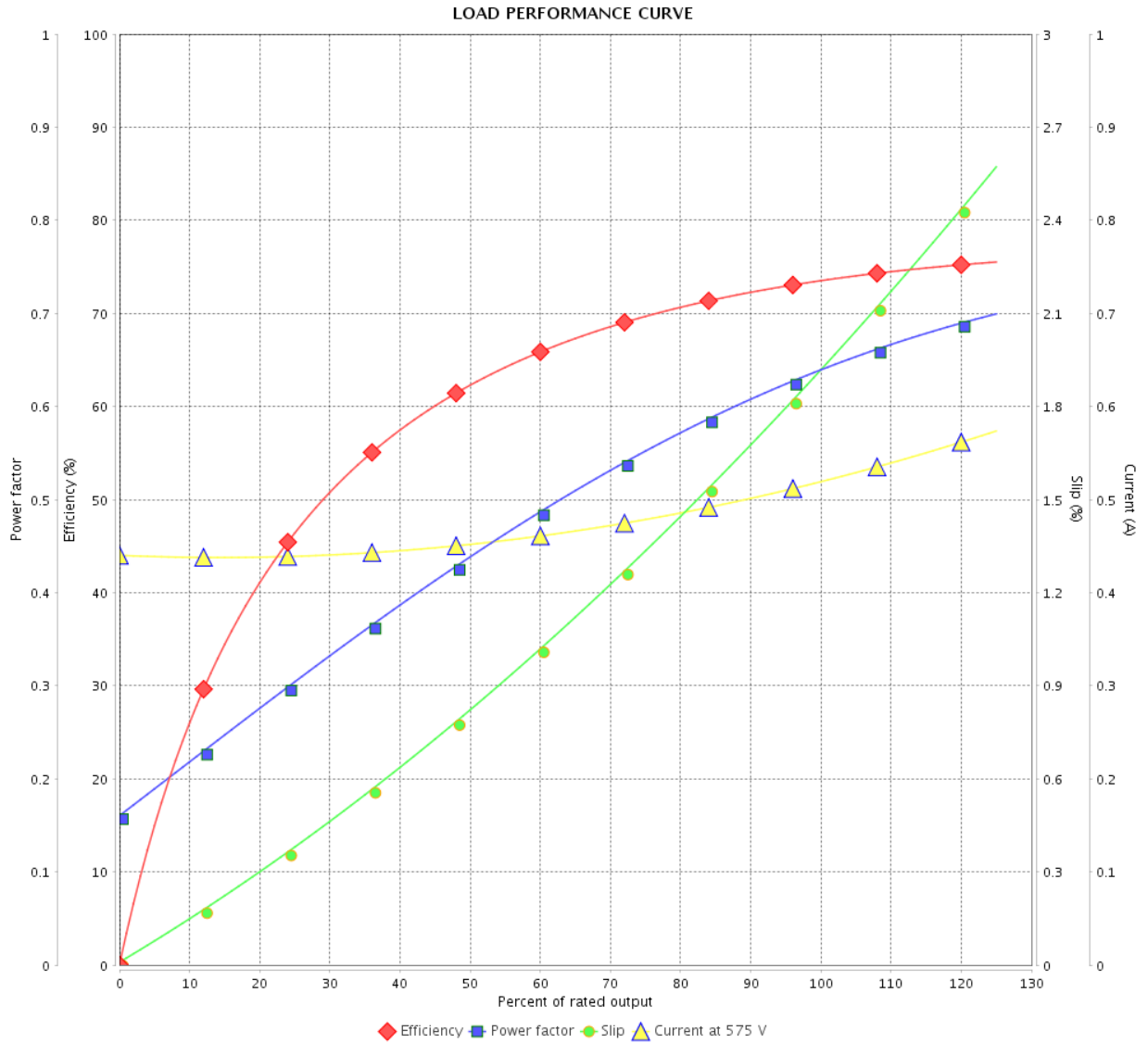
Product line : Premium Efficiency Three-Phase

Product code :

13326499

Catalog # :

.3318OT3H56-S



Performance : 575 V 60 Hz 4P

Rated current : 0.534 A
 LRC : 6.2
 Rated torque : 0.982 ft.lb
 Locked rotor torque : 229 %
 Breakdown torque : 330 %
 Rated speed : 1765 rpm

Moment of inertia (J) : 0.0453 sq.ft.lb
 Duty cycle : Cont.(S1)
 Insulation class : F
 Service factor : 1.35
 Temperature rise : 80 K

Rev.	Changes Summary	Performed	Checked	Date
Performed by			Page 3 / 5	Revision
Checked by				
Date	11/04/2022			

THERMAL LIMIT CURVE

Three Phase Induction Motor - Squirrel Cage



Customer :

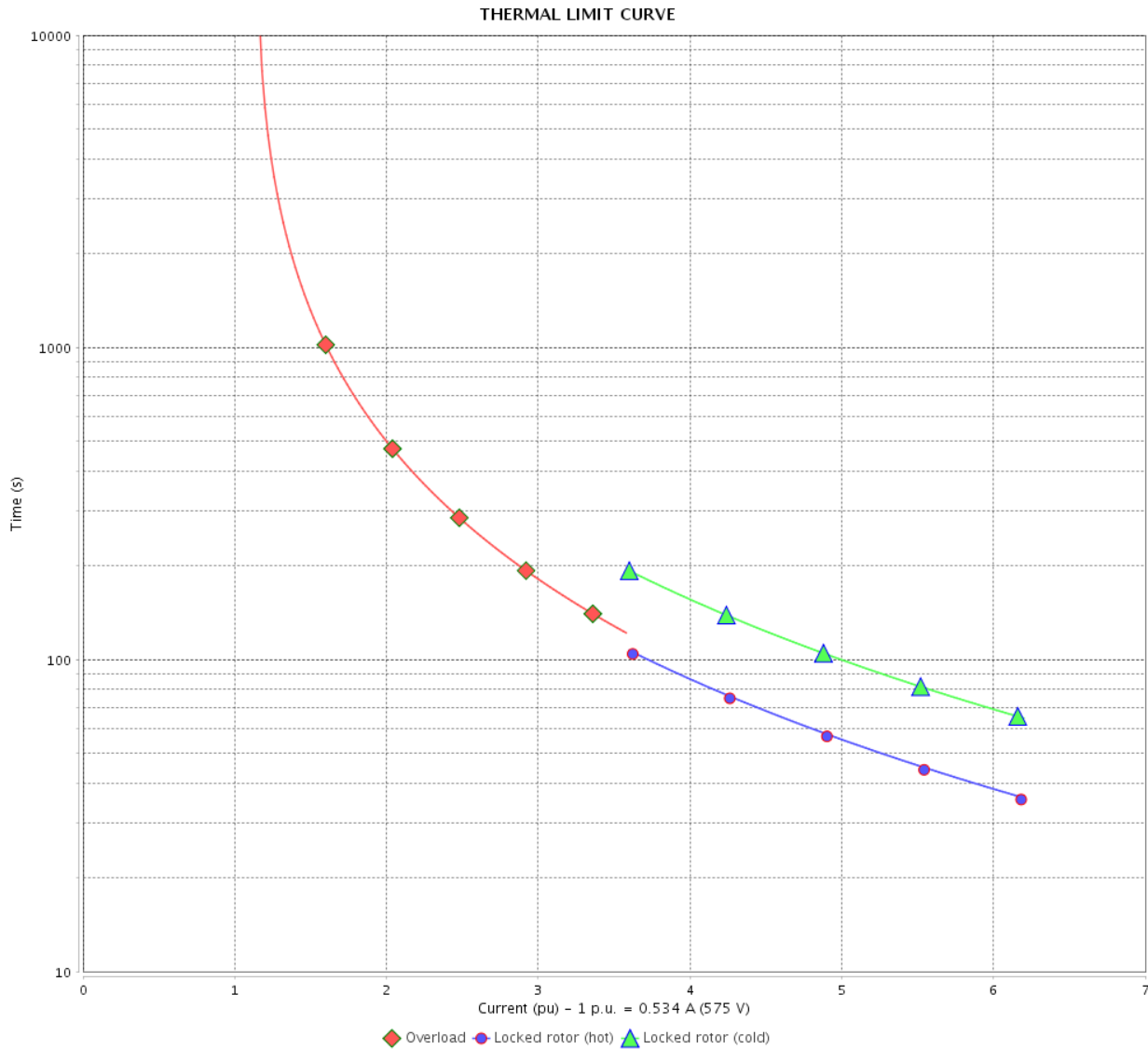
Product line : Premium Efficiency Three-Phase

Product code :

13326499

Catalog # :

.3318OT3H56-S



Performance : 575 V 60 Hz 4P

Rated current : 0.534 A
 LRC : 6.2
 Rated torque : 0.982 ft.lb
 Locked rotor torque : 229 %
 Breakdown torque : 330 %
 Rated speed : 1765 rpm

Moment of inertia (J) : 0.0453 sq.ft.lb
 Duty cycle : Cont.(S1)
 Insulation class : F
 Service factor : 1.35
 Temperature rise : 80 K

Heating constant

Cooling constant

Rev.	Changes Summary	Performed	Checked	Date
Performed by	11/04/2022	Page		Revision
Checked by		4 / 5		
Date				

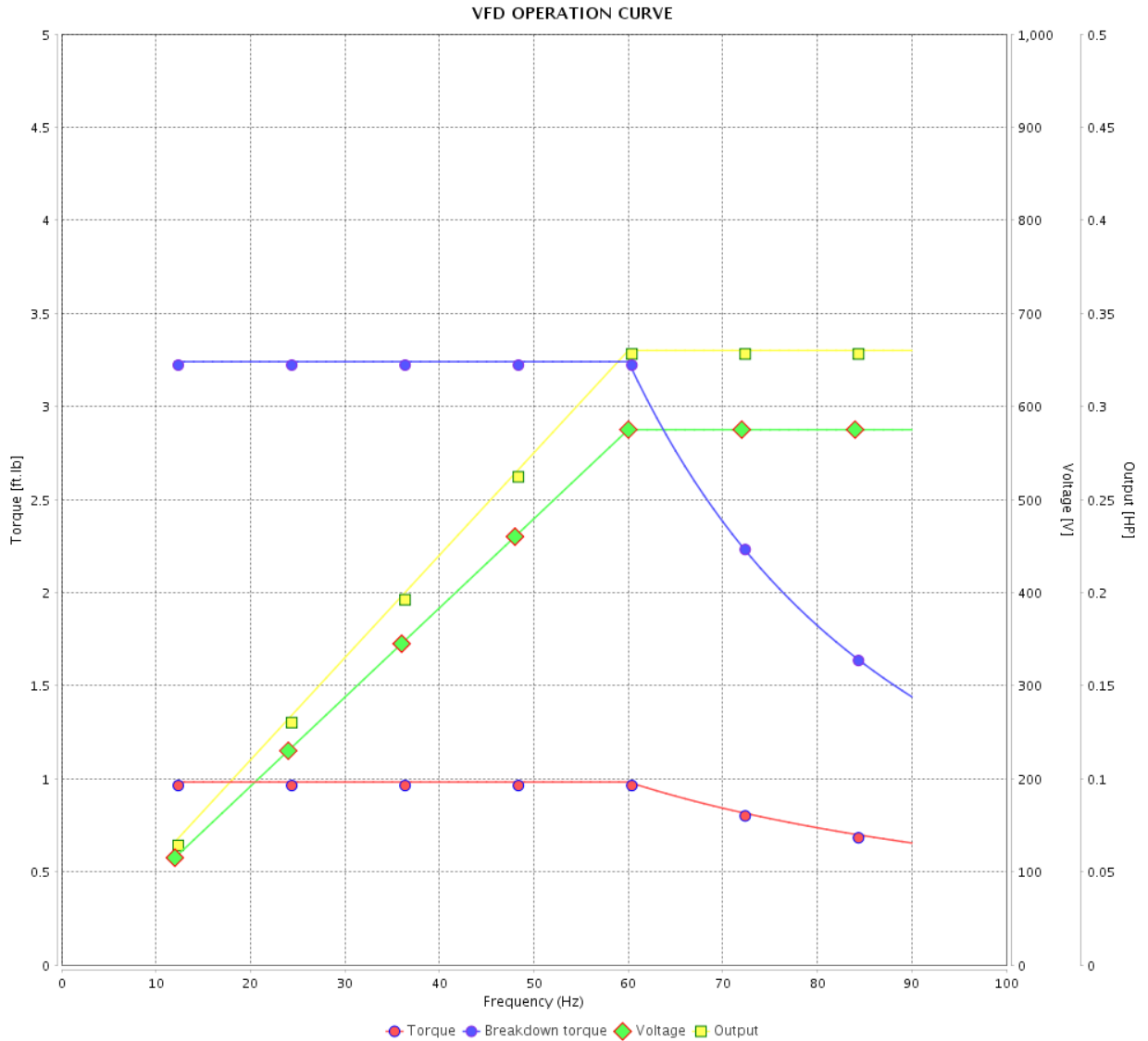
VFD OPERATION CURVE

Three Phase Induction Motor - Squirrel Cage



Customer :

Product line : Premium Efficiency Three-Phase Product code : 13326499
 Catalog # : .3318OT3H56-S



Performance : 575 V 60 Hz 4P

Rated current	: 0.534 A	Moment of inertia (J)	: 0.0453 sq.ft.lb
LRC	: 6.2	Duty cycle	: Cont.(S1)
Rated torque	: 0.982 ft.lb	Insulation class	: F
Locked rotor torque	: 229 %	Service factor	: 1.35
Breakdown torque	: 330 %	Temperature rise	: 80 K
Rated speed	: 1765 rpm		

Rev.	Changes Summary	Performed	Checked	Date
Performed by				
Checked by				
Date	11/04/2022		Page 5 / 5	Revision

1 2 3 4 5 6

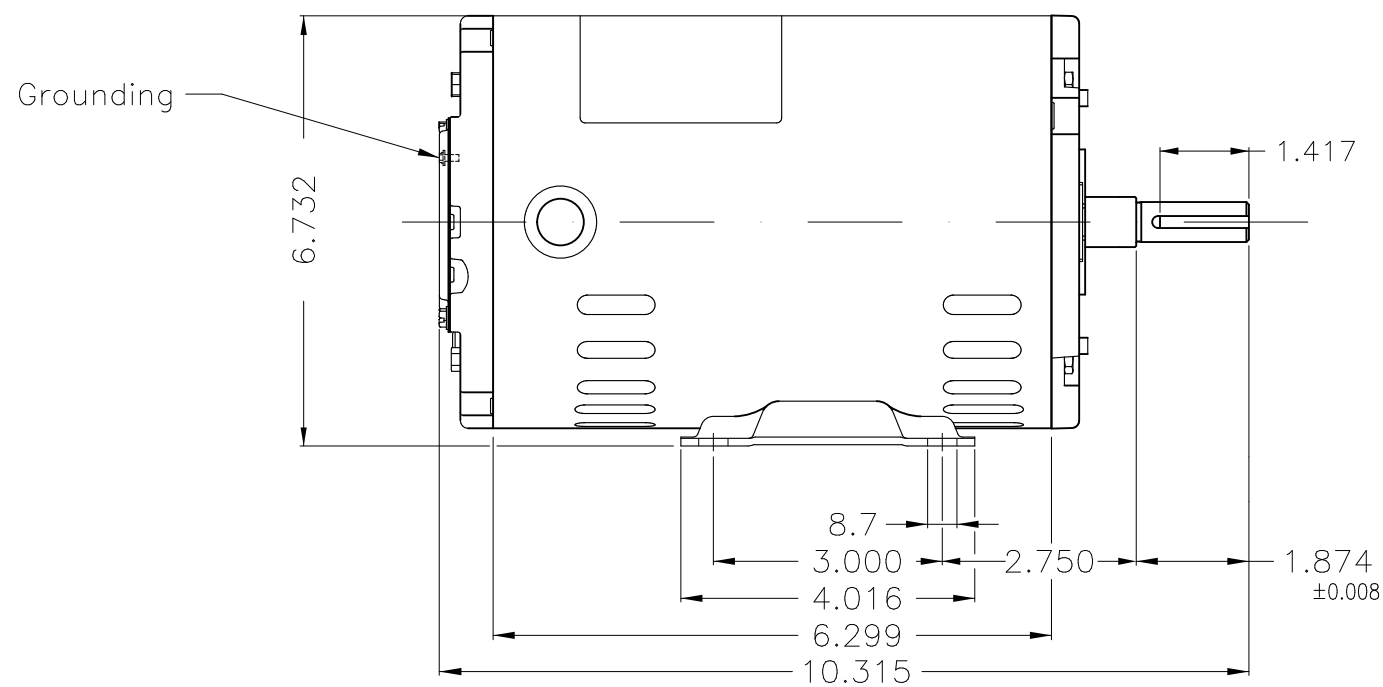
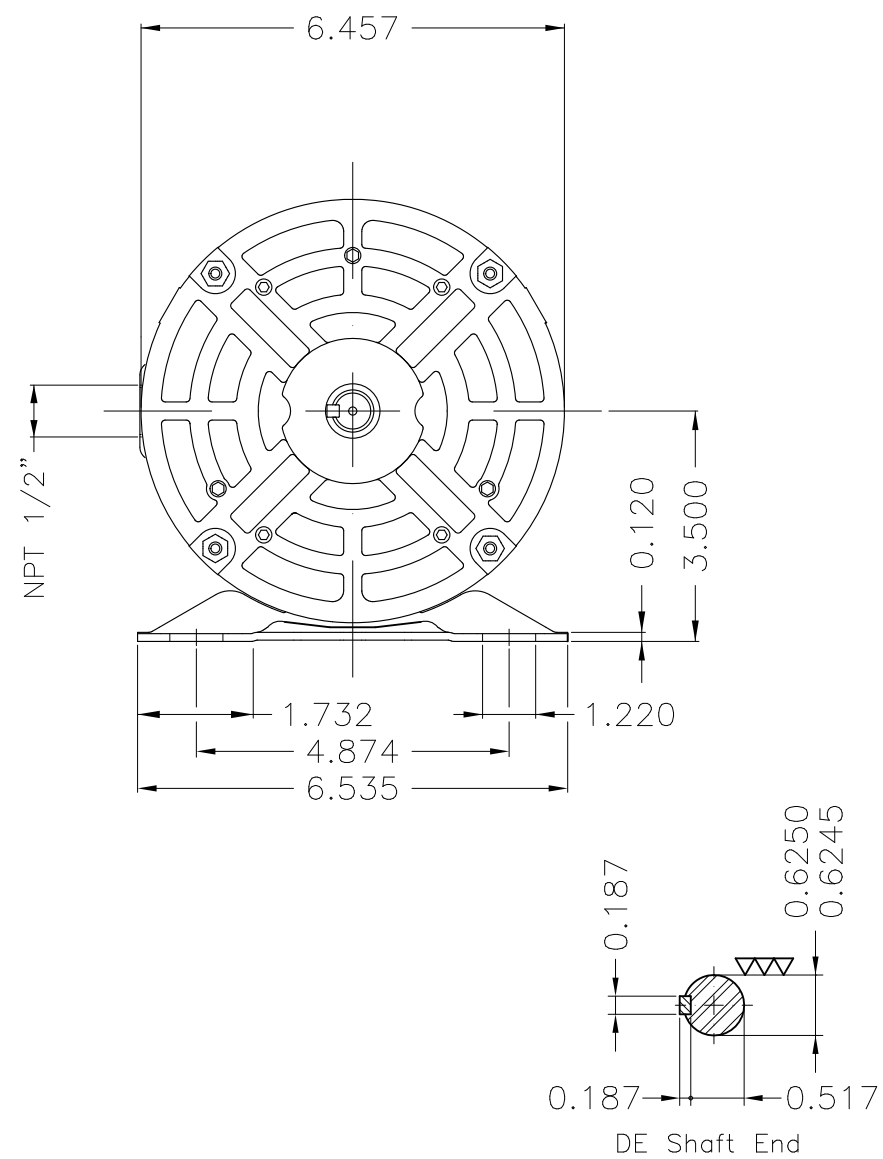
A

B

C

D

E



Without coating									
Mounting F-1/B3R(D)									
ECM	LOC	SUMMARY OF MODIFICATIONS			EXECUTED	CHECKED	RELEASED	DATE	VER
EXECUTED	PIRWUSER	THREE PH. MOTOR ROLLED STEEL PREM. EFF.				PREVIEW WDD			
CHECKED		FRAME 56 IP21 ODP							
RELEASED									
REL DT.		WMO	Jaragua do Sul	Product Engineering	SHEET	1 / 1			

0.33 HP 04 Poles 60 Hz

A

Dimensions in inches XME A3



NEMA
Premium



MADE IN MEXICO

MAT: 13326499

W01.T00IC0X0X

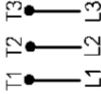
MODEL 33180T3H56-S

28FEB2022 B/N:

PH 3	Hz 60	HP 0.33
FR 56		KW 0.25
DUTY CONT.		V 575
ALT 1000 m.a.s.l		A 0.534
INS CL F AT 80K		SFA 0.721
AMB 40°C	DES -	SF 1.35
ENCL ODP	CODE L	PF 0.64
		RPM 1765
		AVG.F.L. 73.4%
		EFF.

Inverter duty motor For use on VPWM 1000:1 VT, 5:1 CT

DE 6203-ZZ ODE 6202-ZZ MOBIL POLYREX EM



T1-BLU

T2-WHT

T3-ORG



INTERCHANGE ANY TWO LINE WIRES TO REVERSE THE ROTATION

WARNING: Motor must be grounded in accordance with local and national electrical codes to prevent serious electrical shocks. Disconnect power source before servicing unit.



AVERTISSEMENT: Le moteur doit être mis à la terre

conformément aux codes électriques locaux et nationaux afin d'éviter tout choc électrique grave. Déconnectez l'alimentation avant l'entretien de la machine.

