

DATA SHEET



Three Phase Induction Motor - Squirrel Cage

Customer :					
Product line		: Premium Efficiency Three-Phase		Product code : 12809200	
				Catalog # : .3318OT3H56CFL-S	
Frame	: 56C		Locked rotor time	: 64s (cold) 36s (hot)	
Output	: 0.33 HP (0.25 kW)		Temperature rise	: 80 K	
Poles	: 4		Duty cycle	: Cont.(S1)	
Frequency	: 60 Hz		Ambient temperature	: -20°C to +40°C	
Rated voltage	: 575 V		Altitude	: 1000 m.a.s.l.	
Rated current	: 0.534 A		Cooling method	: IC01 - ODP	
L. R. Amperes	: 3.31 A		Mounting	: F-1	
LRC	: 6.2x(Code L)		Rotation ¹	: Both (CW and CCW)	
No load current	: 0.440 A		Noise level ²	: 52.0 dB(A)	
Rated speed	: 1765 rpm		Starting method	: Direct On Line	
Slip	: 1.94 %		Approx. weight ³	: 17.8 lb	
Rated torque	: 0.982 ft.lb				
Locked rotor torque	: 229 %				
Breakdown torque	: 330 %				
Insulation class	: F				
Service factor	: 1.35				
Moment of inertia (J)	: 0.0453 sq.ft.lb				
Output	25%	50%	75%	100%	
Efficiency (%)	59.2	62.0	70.0	73.4	
Power Factor	0.24	0.44	0.55	0.64	
Foundation loads					
Max. traction				: 23 lb	
Max. compression				: 40 lb	
		<u>Drive end</u>	<u>Non drive end</u>		
Bearing type	:	6203 ZZ	6202 ZZ		
Sealing	:	Without Bearing Seal	Without Bearing Seal		
Lubrication interval	:	-	-		
Lubricant amount	:	-	-		
Lubricant type	:	Mobil Polyrex EM			
Notes					
This revision replaces and cancel the previous one, which must be eliminated. (1) Looking the motor from the shaft end. (2) Measured at 1m and with tolerance of +3dB(A). (3) Approximate weight subject to changes after manufacturing process. (4) At 100% of full load.			These are average values based on tests with sinusoidal power supply, subject to the tolerances stipulated in NEMA MG-1.		
Rev.	Changes Summary		Performed	Checked	Date
Performed by					
Checked by				Page	Revision
Date	11/04/2022			1 / 5	

TORQUE AND CURRENT VS SPEED CURVE

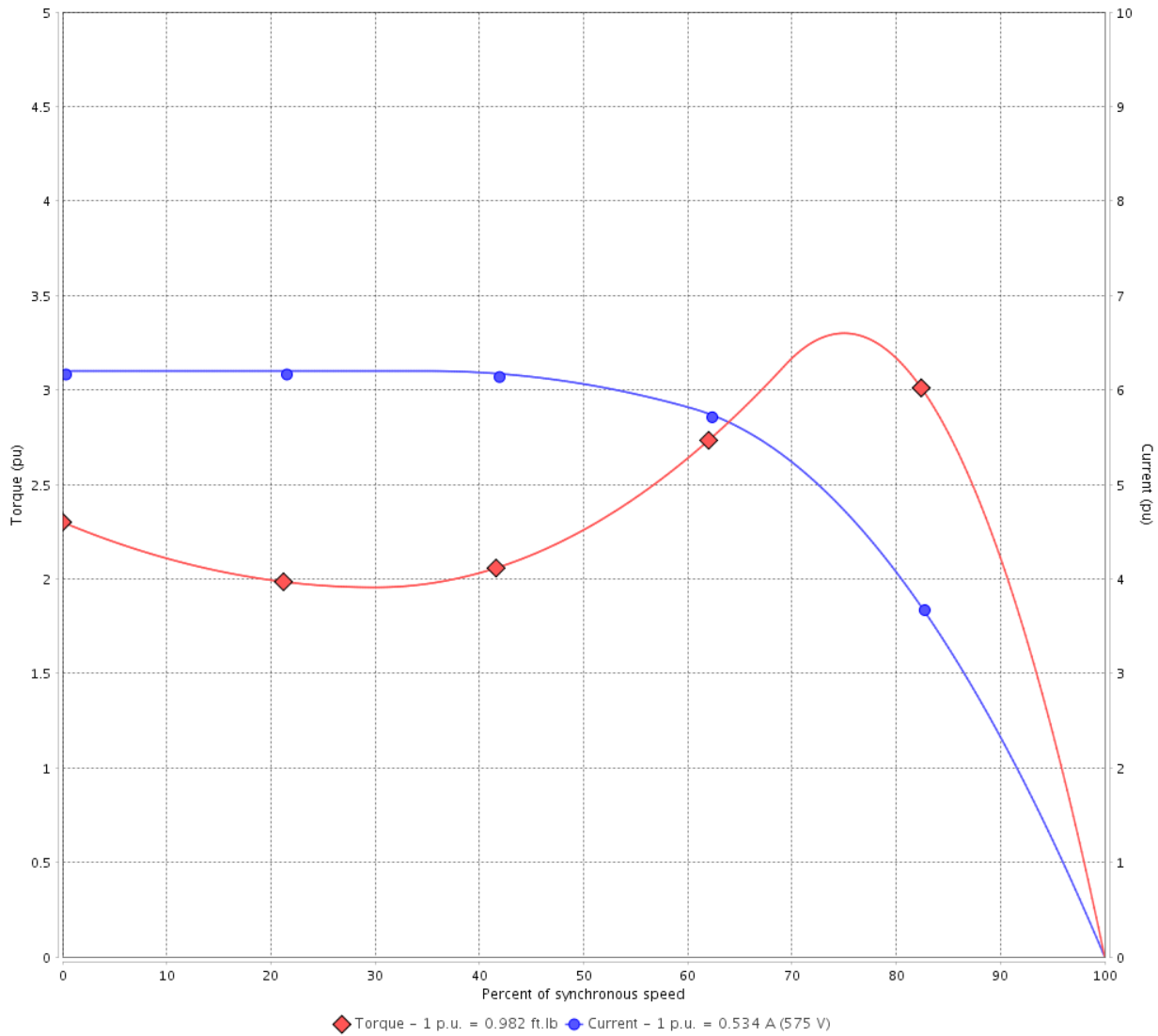
Three Phase Induction Motor - Squirrel Cage



Customer :

Product line : Premium Efficiency Three-Phase Product code : 12809200
 Catalog # : .3318OT3H56CFL-S

TORQUE AND CURRENT VS SPEED CURVE



Performance : 575 V 60 Hz 4P

Rated current	: 0.534 A	Moment of inertia (J)	: 0.0453 sq.ft.lb
LRC	: 6.2	Duty cycle	: Cont.(S1)
Rated torque	: 0.982 ft.lb	Insulation class	: F
Locked rotor torque	: 229 %	Service factor	: 1.35
Breakdown torque	: 330 %	Temperature rise	: 80 K
Rated speed	: 1765 rpm		

Locked rotor time : 64s (cold) 36s (hot)

Rev.	Changes Summary	Performed	Checked	Date
Performed by			Page 2 / 5	Revision
Checked by				
Date	11/04/2022			

LOAD PERFORMANCE CURVE

Three Phase Induction Motor - Squirrel Cage



Customer : _____

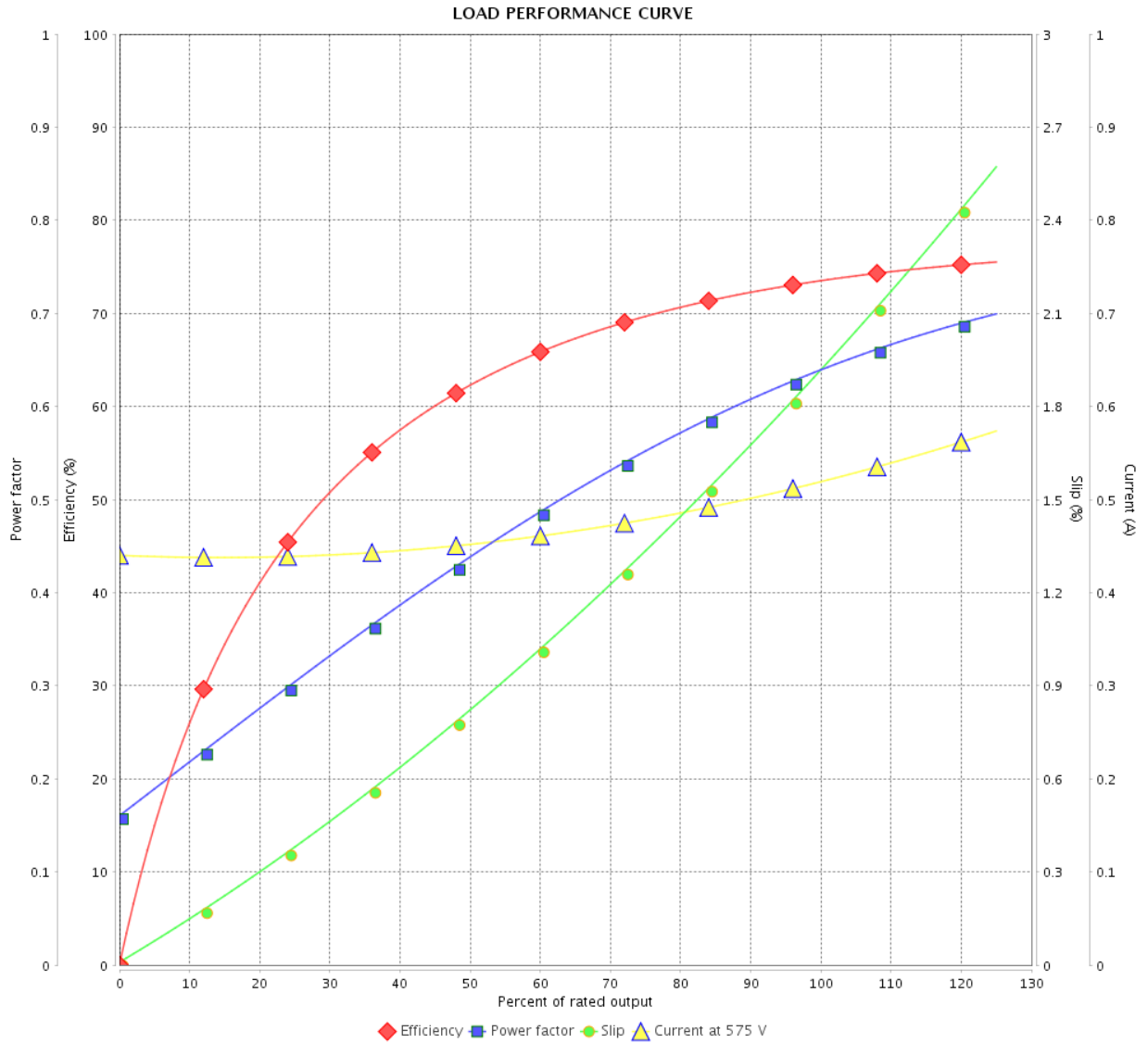
Product line : Premium Efficiency Three-Phase

Product code :

12809200

Catalog # :

.3318OT3H56CFL-S



Performance : 575 V 60 Hz 4P

Rated current : 0.534 A
 LRC : 6.2
 Rated torque : 0.982 ft.lb
 Locked rotor torque : 229 %
 Breakdown torque : 330 %
 Rated speed : 1765 rpm

Moment of inertia (J) : 0.0453 sq.ft.lb
 Duty cycle : Cont.(S1)
 Insulation class : F
 Service factor : 1.35
 Temperature rise : 80 K

Rev.	Changes Summary	Performed	Checked	Date
Performed by			Page 3 / 5	Revision
Checked by				
Date	11/04/2022			

THERMAL LIMIT CURVE

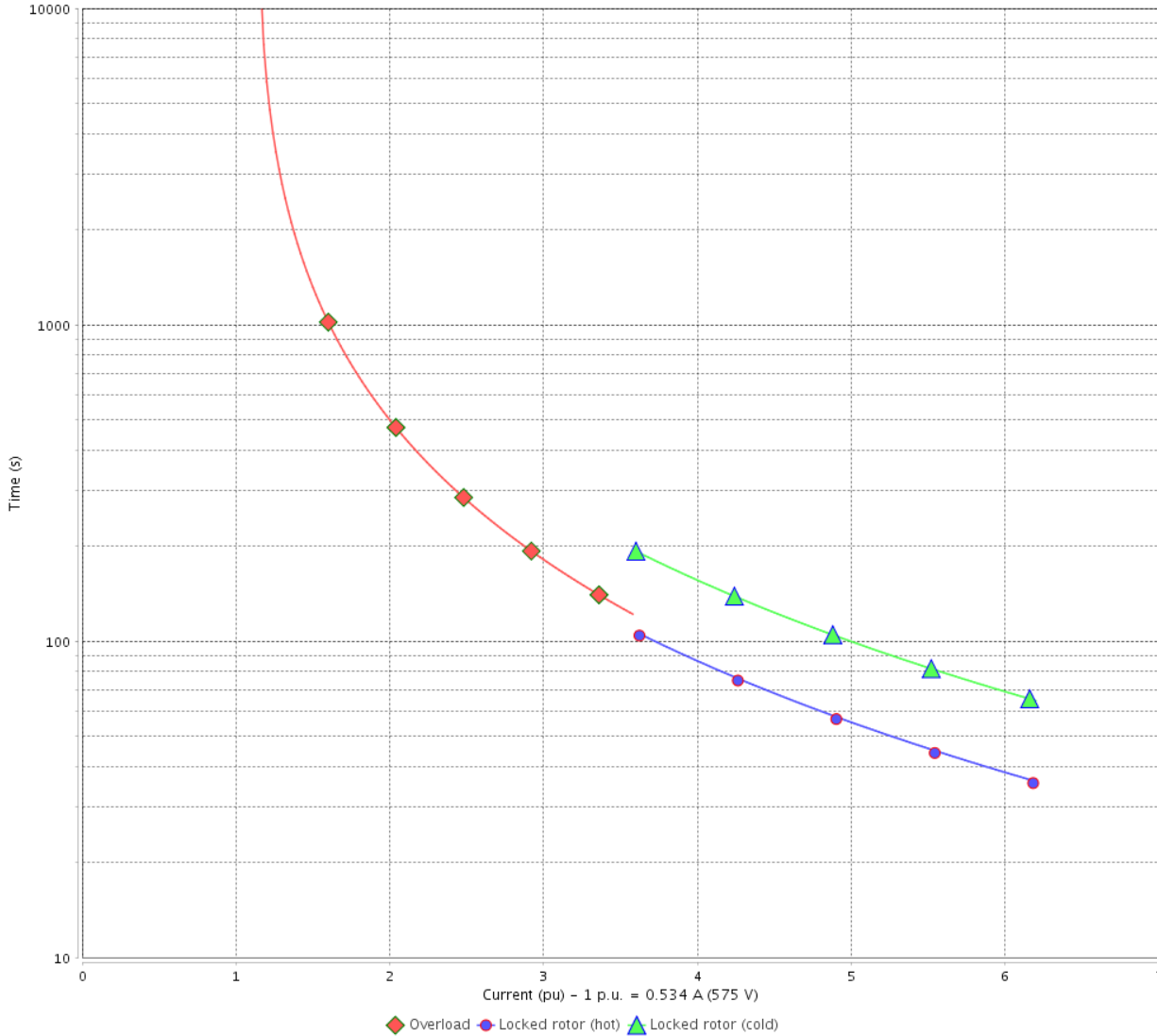
Three Phase Induction Motor - Squirrel Cage



Customer :

Product line : Premium Efficiency Three-Phase Product code : 12809200
 Catalog # : .3318OT3H56CFL-S

THERMAL LIMIT CURVE



Performance : 575 V 60 Hz 4P

Rated current	: 0.534 A	Moment of inertia (J)	: 0.0453 sq.ft.lb
LRC	: 6.2	Duty cycle	: Cont.(S1)
Rated torque	: 0.982 ft.lb	Insulation class	: F
Locked rotor torque	: 229 %	Service factor	: 1.35
Breakdown torque	: 330 %	Temperature rise	: 80 K
Rated speed	: 1765 rpm		

Heating constant

Cooling constant

Rev.	Changes Summary	Performed	Checked	Date
Performed by			Page 4 / 5	Revision
Checked by				
Date	11/04/2022			

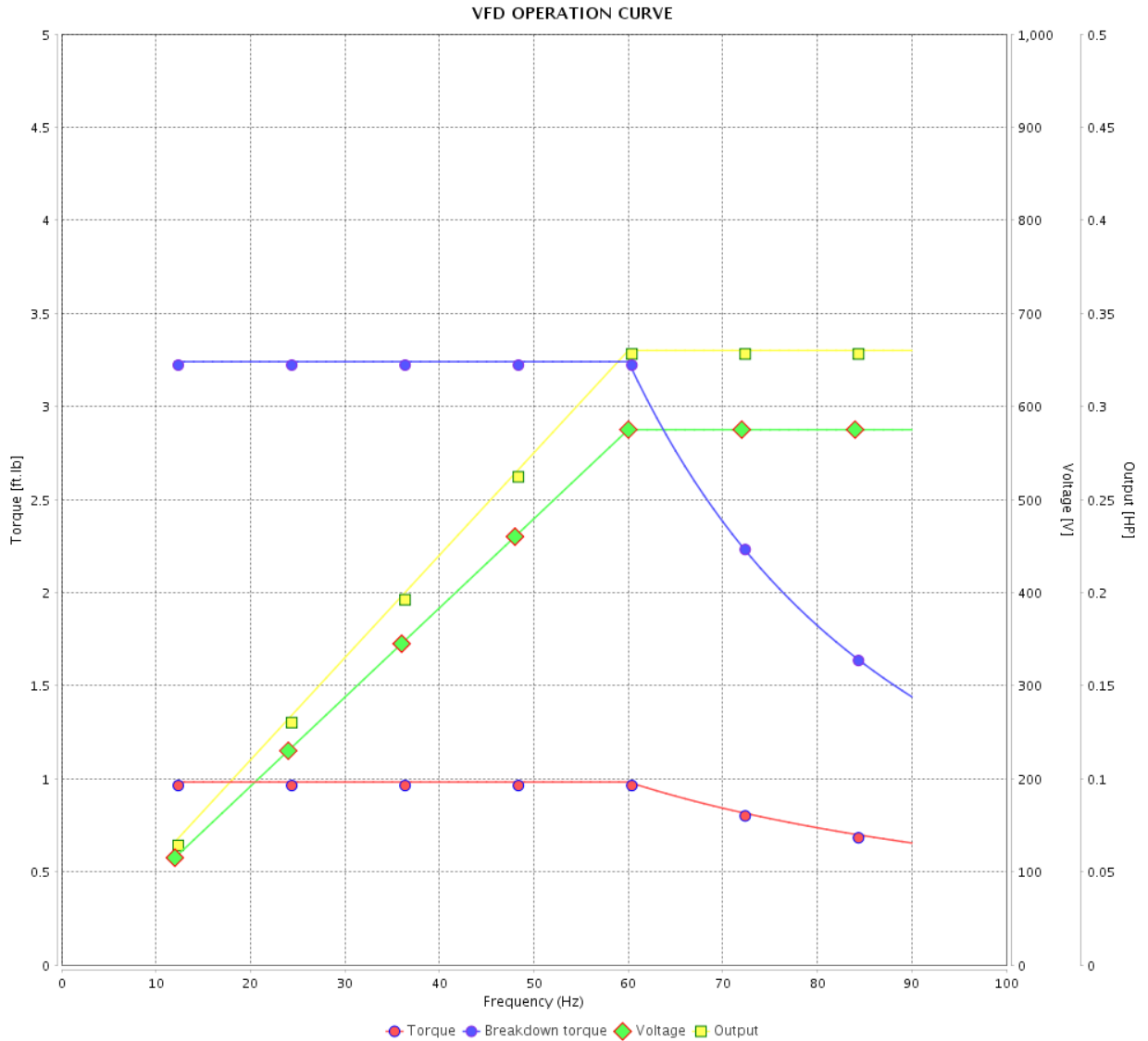
VFD OPERATION CURVE

Three Phase Induction Motor - Squirrel Cage



Customer : _____

Product line : Premium Efficiency Three-Phase Product code : 12809200
 Catalog # : .3318OT3H56CFL-S



Performance : 575 V 60 Hz 4P

Rated current : 0.534 A
 LRC : 6.2
 Rated torque : 0.982 ft.lb
 Locked rotor torque : 229 %
 Breakdown torque : 330 %
 Rated speed : 1765 rpm

Moment of inertia (J) : 0.0453 sq.ft.lb
 Duty cycle : Cont.(S1)
 Insulation class : F
 Service factor : 1.35
 Temperature rise : 80 K

Rev.	Changes Summary	Performed	Checked	Date
Performed by			Page	Revision
Checked by				
Date				

1 2 3 4 5 6

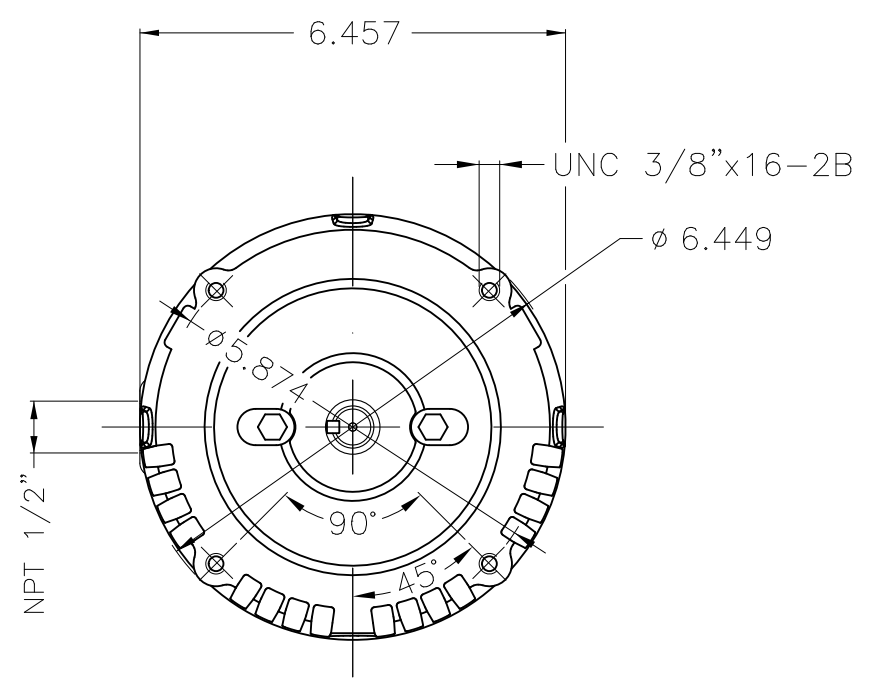
A

B

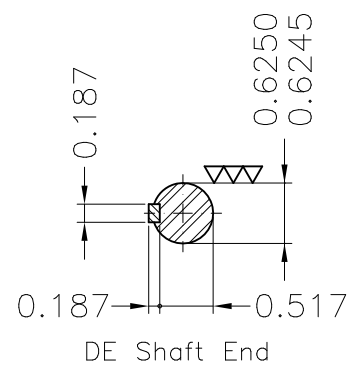
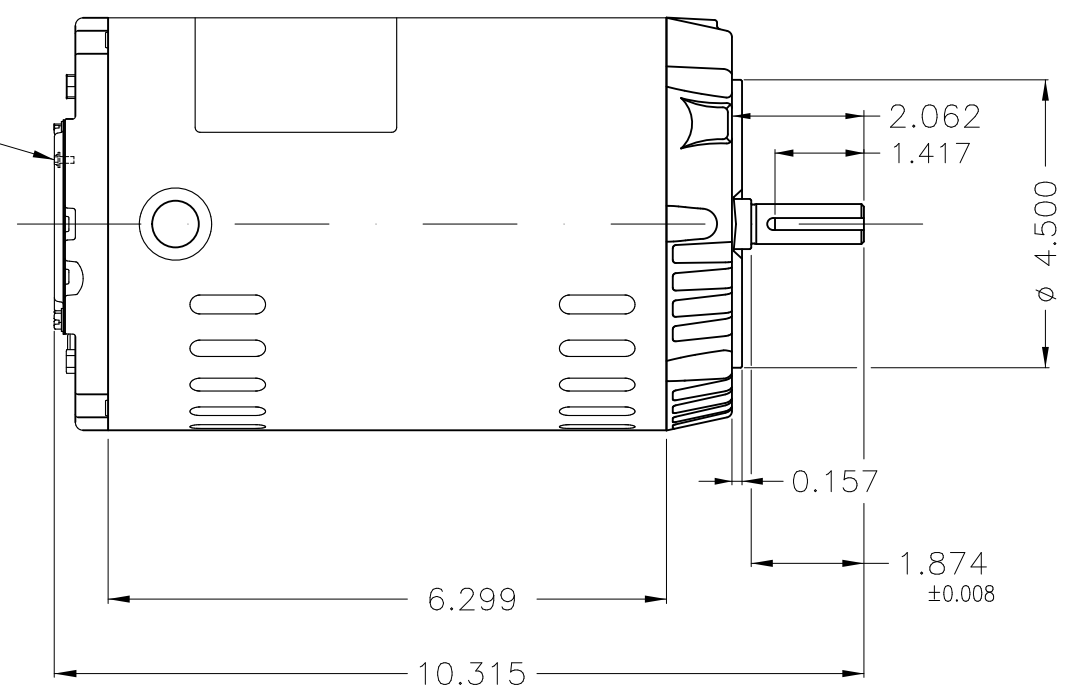
C

D

E



Grounding



Without coating										
Mounting F-1/B14R(D)										
ECM	LOC	SUMMARY OF MODIFICATIONS				EXECUTED	CHECKED	RELEASED	DATE	VER
EXECUTED	PIRWUSER	THREE PH. MOTOR ROLLED STEEL PREM. EFF.				PREVIEW	WDD	SHEET	1 / 1	
CHECKED		FRAME 56C IP21 ODP								
RELEASED										
REL DT.		WMO	Jaragua do Sul	Product Engineering						

0.33 HP 04 Poles 60 Hz

A



NEMA
Premium



MADE IN BRAZIL

MAT: 12809200

W01.T00IC0X0X

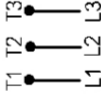
MODEL 33180T3H56CFL-S

20OCT2021 B/N:

PH 3	Hz 60	HP 0.33
FR 56C		KW 0.25
DUTY CONT.		V 575
ALT 1000 m.a.s.l		A 0.534
INS CL F AT 80K		SFA 0.721
AMB 40°C	DES -	SF 1.35
ENCL ODP	CODE L	PF 0.64
		RPM 1765
		AVG.F.L. 73.4%
		EFF.

Inverter duty motor For use on VPWM 1000:1 VT, 5:1 CT

DE 6203-ZZ	ODE 6202-ZZ	MOBIL POLYREX EM
------------	-------------	------------------



T1-BLU

T2-WHT

T3-ORG



INTERCHANGE ANY TWO LINE WIRES TO REVERSE THE ROTATION

WARNING: Motor must be grounded in accordance with local and national electrical codes to prevent serious electrical shocks. Disconnect power source before servicing unit.



AVERTISSEMENT: Le moteur doit être mis à la terre

conformément aux codes électriques locaux et nationaux afin d'éviter tout choc électrique grave. Déconnectez l'alimentation avant l'entretien de la machine.

