

DATA SHEET



Three Phase Induction Motor - Squirrel Cage

Customer :																			
Product line	: NEMA Premium Efficiency Three-Phase																		
Product code :	14319545																		
Catalog # :	35012ST3QIE449T-W22																		
Frame : L447/9T Output : 350 HP (260 kW) Poles : 6 Frequency : 60 Hz Rated voltage : 460 V Rated current : 415 A L. R. Amperes : 2864 A LRC : 6.9x(Code H) No load current : 160 A Rated speed : 1190 rpm Slip : 0.83 % Rated torque : 1540 ft.lb Locked rotor torque : 250 % Breakdown torque : 270 % Insulation class : F Service factor : 1.15 Design : A	Locked rotor time : 41s (cold) 23s (hot) Temperature rise : 80 K Duty cycle : Cont.(S1) Ambient temperature : -20°C to +40°C Altitude : 1000 m.a.s.l. Protection degree : IP55 Cooling method : IC411 - TEFC Mounting : F-1 Rotation ¹ : Both (CW and CCW) Noise level ² : 71.0 dB(A) Starting method : Direct On Line Approx. weight ³ : 3574 lb																		
Output	25% 50% 75% 100%																		
Efficiency (%)	0.000 95.4 95.8 95.8																		
Power Factor	0.00 0.66 0.77 0.82																		
Foundation loads																			
Max. traction	: 9330 lb																		
Max. compression	: 12905 lb																		
	<table border="0"> <tr> <td></td> <td style="text-align: center;"><u>Drive end</u></td> <td style="text-align: center;"><u>Non drive end</u></td> </tr> <tr> <td>Bearing type :</td> <td>6322 C3</td> <td>6319 C3</td> </tr> <tr> <td>Sealing :</td> <td>Inpro/Seal</td> <td>Inpro/Seal</td> </tr> <tr> <td>Lubrication interval :</td> <td>11000 h</td> <td>13000 h</td> </tr> <tr> <td>Lubricant amount :</td> <td>60 g</td> <td>45 g</td> </tr> <tr> <td>Lubricant type :</td> <td colspan="2" style="text-align: center;">Mobil Polyrex EM</td> </tr> </table>		<u>Drive end</u>	<u>Non drive end</u>	Bearing type :	6322 C3	6319 C3	Sealing :	Inpro/Seal	Inpro/Seal	Lubrication interval :	11000 h	13000 h	Lubricant amount :	60 g	45 g	Lubricant type :	Mobil Polyrex EM	
	<u>Drive end</u>	<u>Non drive end</u>																	
Bearing type :	6322 C3	6319 C3																	
Sealing :	Inpro/Seal	Inpro/Seal																	
Lubrication interval :	11000 h	13000 h																	
Lubricant amount :	60 g	45 g																	
Lubricant type :	Mobil Polyrex EM																		
Notes																			
This revision replaces and cancel the previous one, which must be eliminated. (1) Looking the motor from the shaft end. (2) Measured at 1m and with tolerance of +3dB(A). (3) Approximate weight subject to changes after manufacturing process. (4) At 100% of full load.																			
These are average values based on tests with sinusoidal power supply, subject to the tolerances stipulated in NEMA MG-1.																			
Rev.	Changes Summary	Performed	Checked	Date															
Performed by																			
Checked by			Page	Revision															
Date	01/06/2022		1 / 6																

TORQUE AND CURRENT VS SPEED CURVE

Three Phase Induction Motor - Squirrel Cage



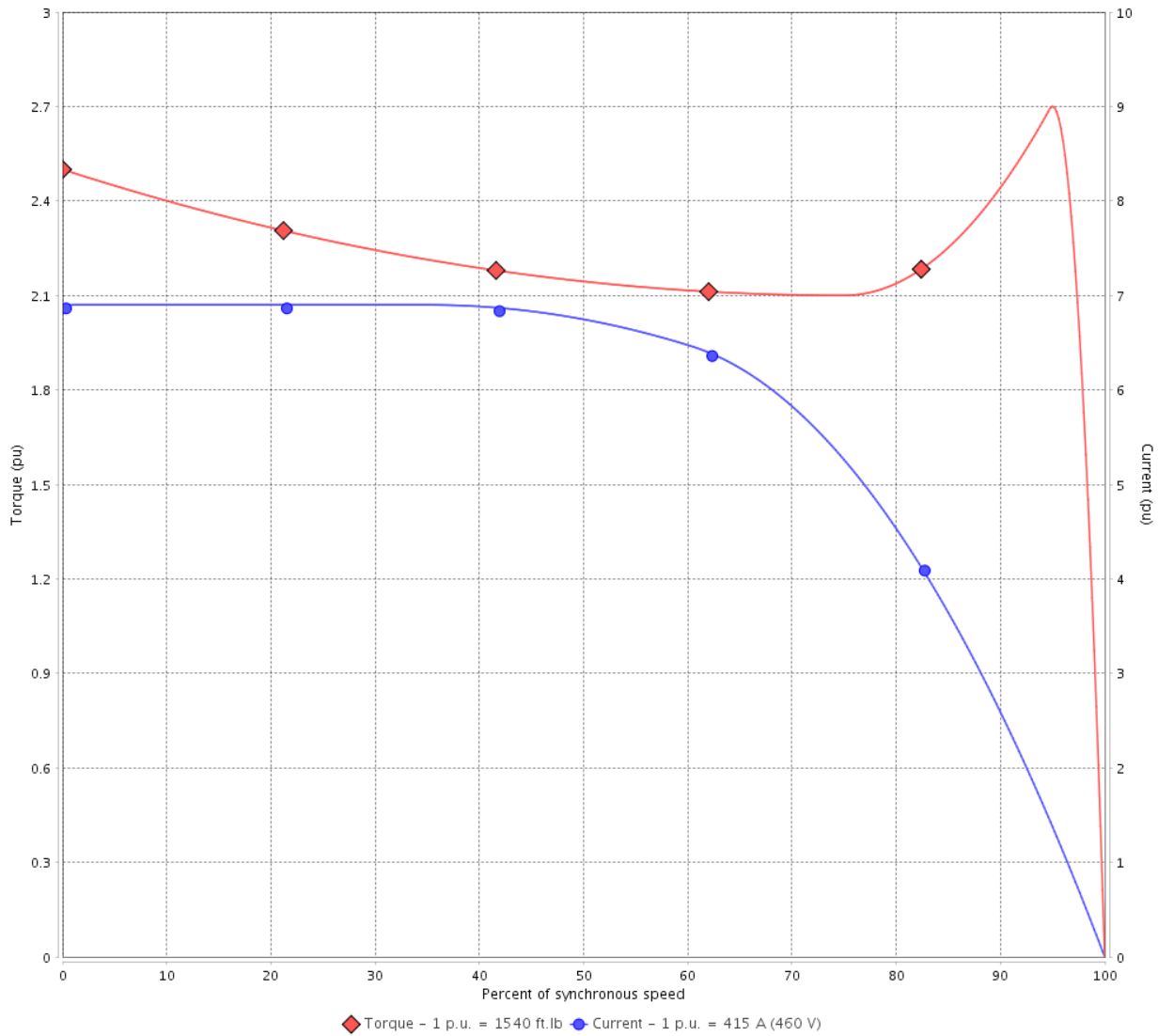
Customer :

Product line : NEMA Premium Efficiency Three-Phase

Product code : 14319545

Catalog # : 35012ST3QIE449T-W22

TORQUE AND CURRENT VS SPEED CURVE



Performance : 460 V 60 Hz 6P

Rated current	: 415 A	Moment of inertia (J)	
LRC	: 6.9	Duty cycle	: Cont.(S1)
Rated torque	: 1540 ft.lb	Insulation class	: F
Locked rotor torque	: 250 %	Service factor	: 1.15
Breakdown torque	: 270 %	Temperature rise	: 80 K
Rated speed	: 1190 rpm	Design	: A

Locked rotor time : 41s (cold) 23s (hot)

Rev.	Changes Summary	Performed	Checked	Date
Performed by			Page 2 / 6	Revision
Checked by				
Date	01/06/2022			

LOAD PERFORMANCE CURVE

Three Phase Induction Motor - Squirrel Cage

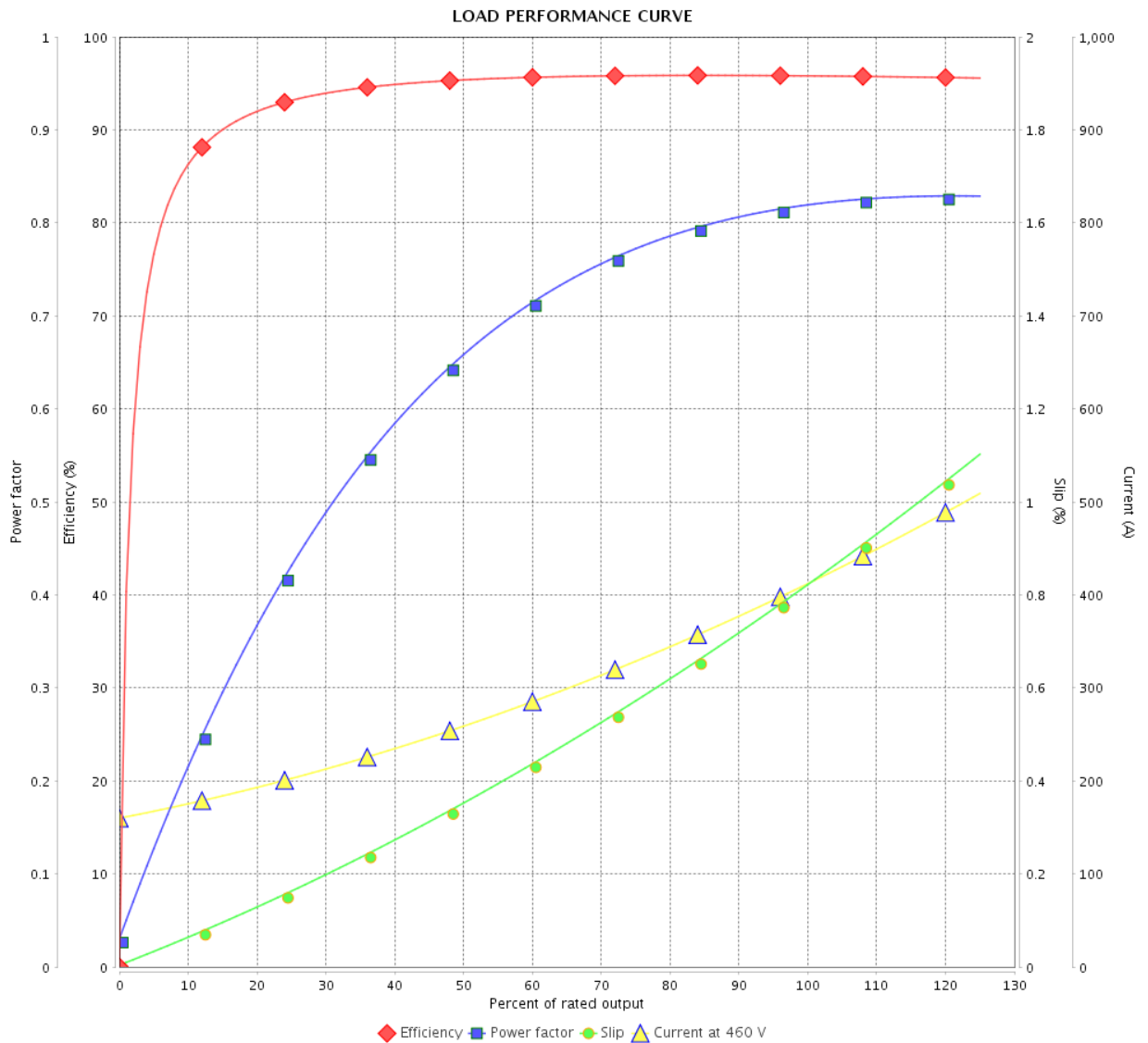


Customer :

Product line : NEMA Premium Efficiency Three-Phase

Product code : 14319545

Catalog # : 35012ST3QIE449T-W22



Performance : 460 V 60 Hz 6P

Rated current : 415 A
 LRC : 6.9
 Rated torque : 1540 ft.lb
 Locked rotor torque : 250 %
 Breakdown torque : 270 %
 Rated speed : 1190 rpm

Moment of inertia (J)
 Duty cycle : Cont.(S1)
 Insulation class : F
 Service factor : 1.15
 Temperature rise : 80 K
 Design : A

Rev.	Changes Summary	Performed	Checked	Date
Performed by			Page	Revision
Checked by			3 / 6	
Date	01/06/2022			

THERMAL LIMIT CURVE



Three Phase Induction Motor - Squirrel Cage

Customer :

Product line : NEMA Premium Efficiency Three-Phase
 Product code : 14319545
 Catalog # : 35012ST3QIE449T-W22

Performance : 460 V 60 Hz 6P

Rated current : 415 A	Moment of inertia (J)
LRC : 6.9	Duty cycle : Cont.(S1)
Rated torque : 1540 ft.lb	Insulation class : F
Locked rotor torque : 250 %	Service factor : 1.15
Breakdown torque : 270 %	Temperature rise : 80 K
Rated speed : 1190 rpm	Design : A

Heating constant

Cooling constant

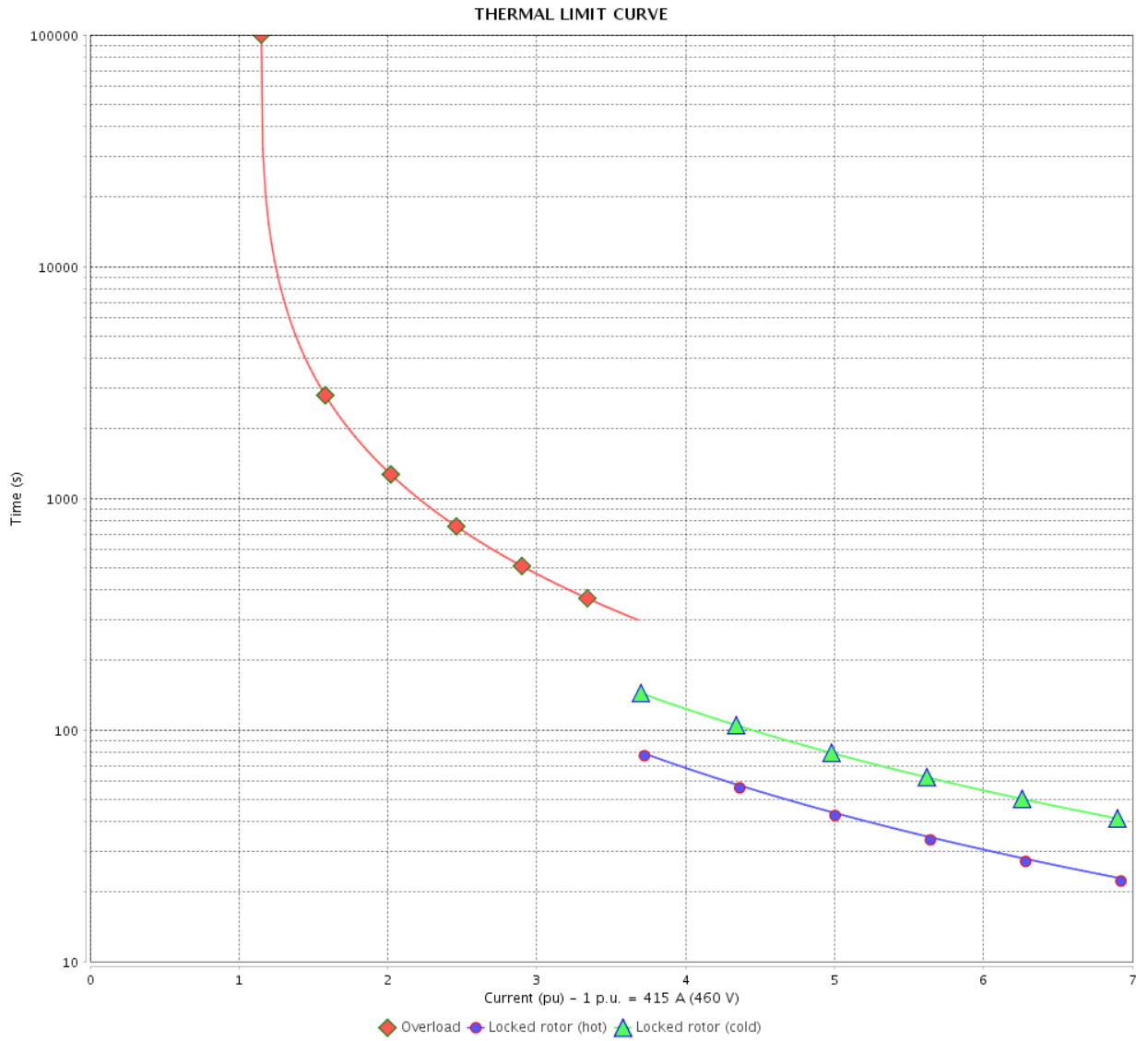
Rev.	Changes Summary	Performed	Checked	Date
Performed by			Page	Revision
Checked by				
Date	01/06/2022			

THERMAL LIMIT CURVE

Three Phase Induction Motor - Squirrel Cage



Customer : _____



Rev.	Changes Summary	Performed	Checked	Date
Performed by		Page 5 / 6		Revision
Checked by				
Date				

VFD OPERATION CURVE

Three Phase Induction Motor - Squirrel Cage

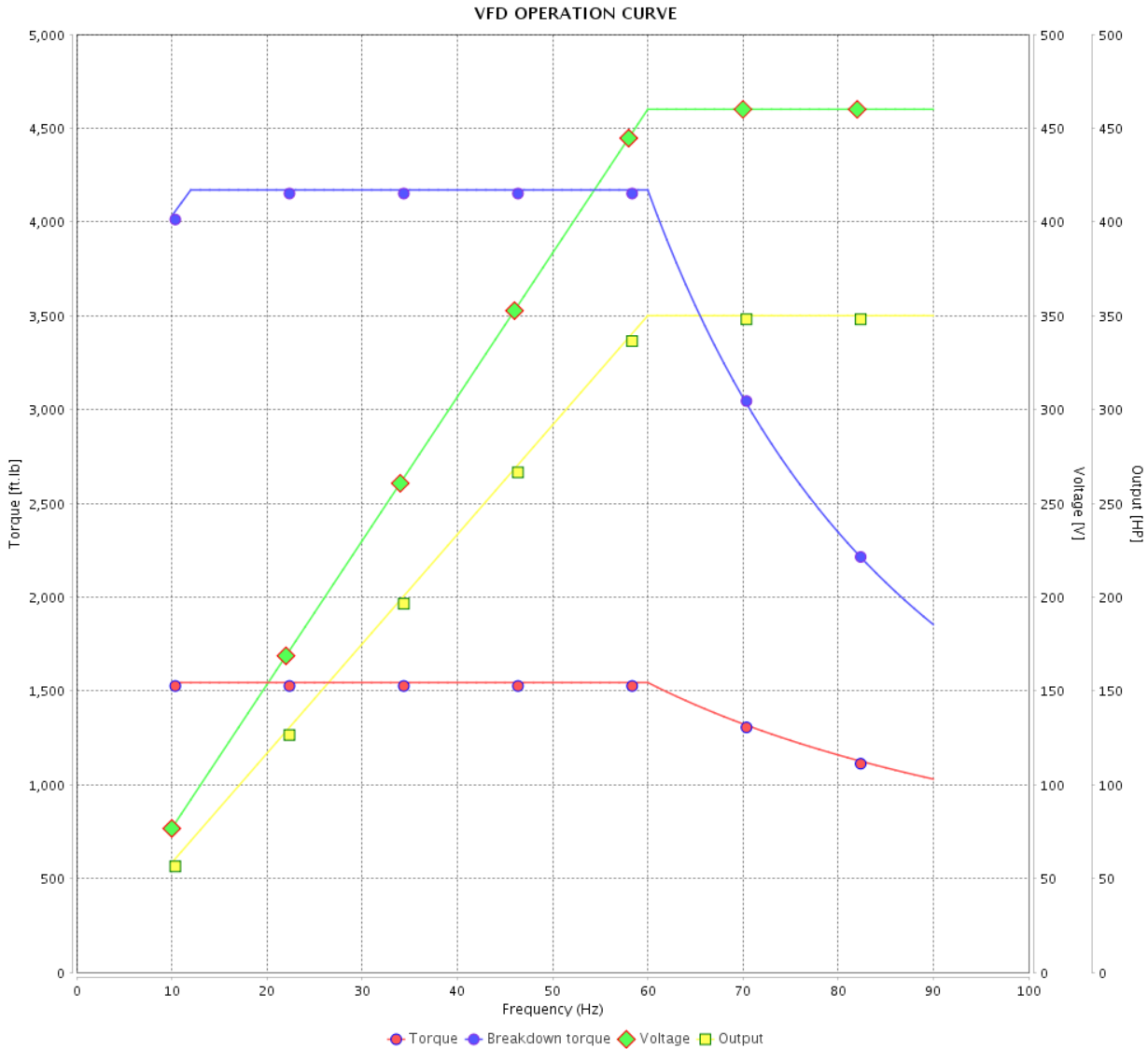


Customer :

Product line : NEMA Premium Efficiency Three-Phase

Product code : 14319545

Catalog # : 35012ST3QIE449T-W22



Performance : 460 V 60 Hz 6P

Rated current : 415 A
 LRC : 6.9
 Rated torque : 1540 ft.lb
 Locked rotor torque : 250 %
 Breakdown torque : 270 %
 Rated speed : 1190 rpm

Moment of inertia (J)
 Duty cycle : Cont.(S1)
 Insulation class : F
 Service factor : 1.15
 Temperature rise : 80 K
 Design : A

Rev.	Changes Summary	Performed	Checked	Date
Performed by			Page 6 / 6	Revision
Checked by				
Date	01/06/2022			

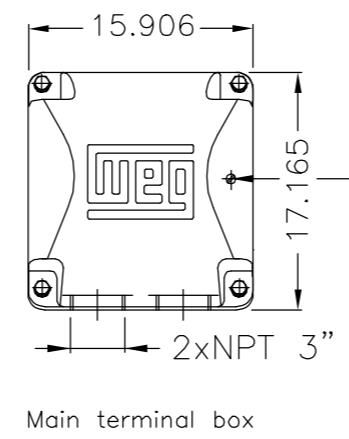
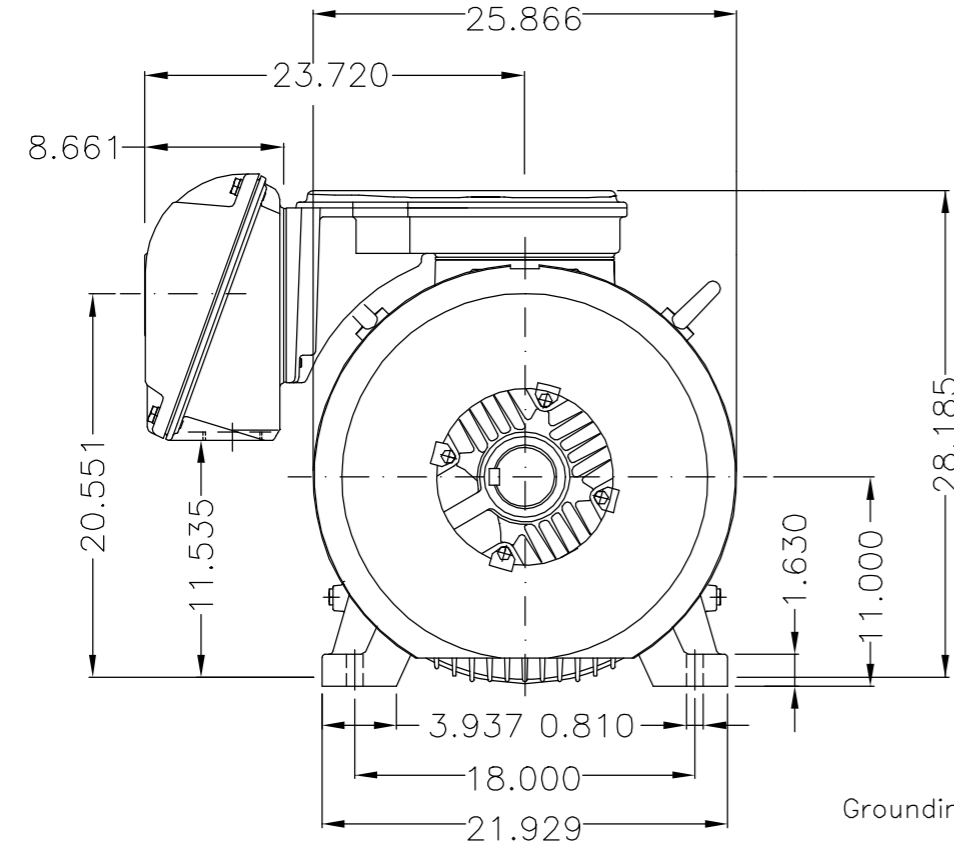
EIXO/SHAFT	
PADRÃO/STANDARD	X
OPCIONAL/OPTIONAL	
ESPECIAL/SPECIAL	

Dimensões em polegada
Dimensions in inches

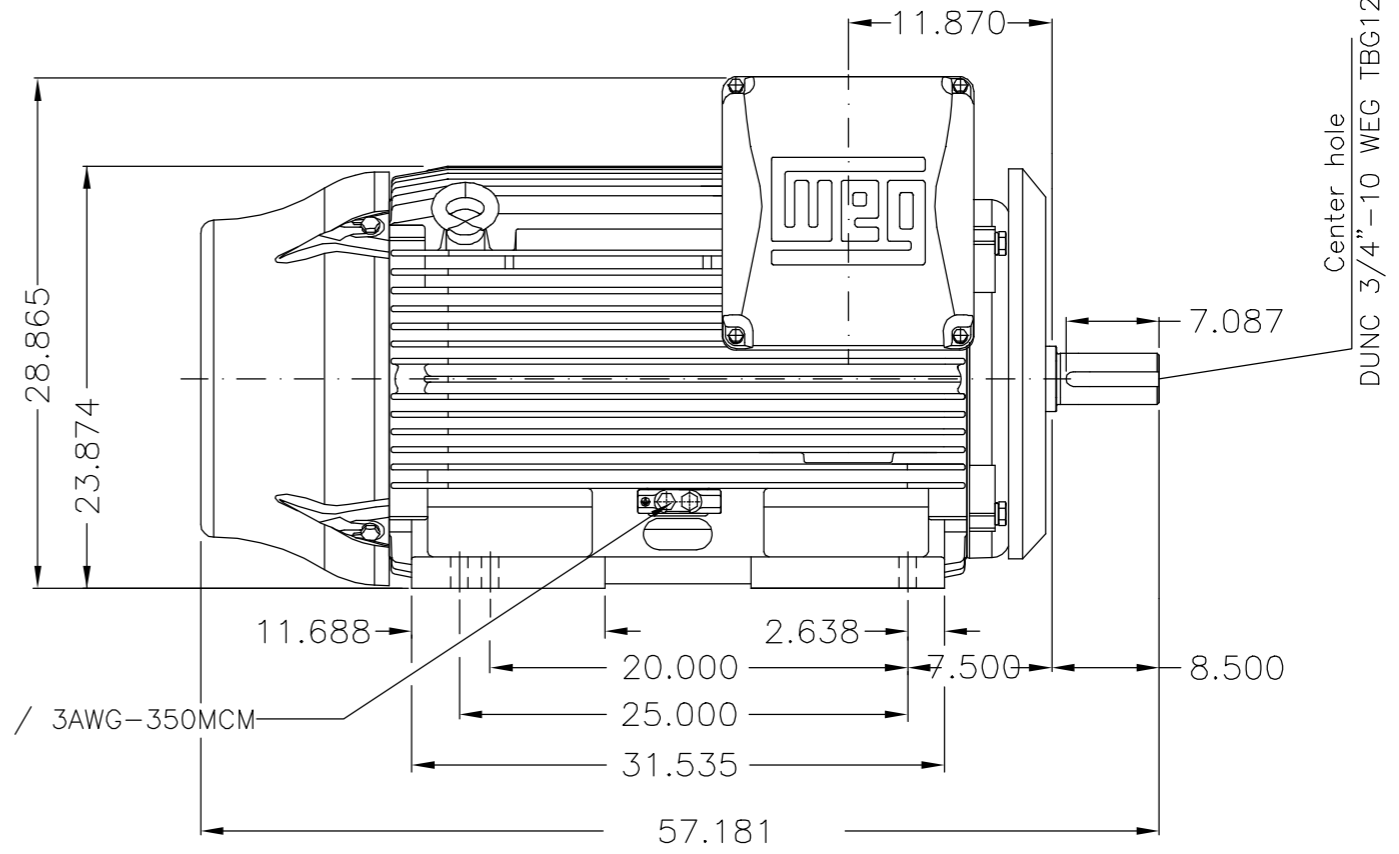
CERTIFIED WEG MOTORES
Certified document.
Not subject to changes.

THIS IS AN UPDATED REVISION, THE PREVIOUS ONE MUST BE DISREGARDED.

A
B
C
D
E

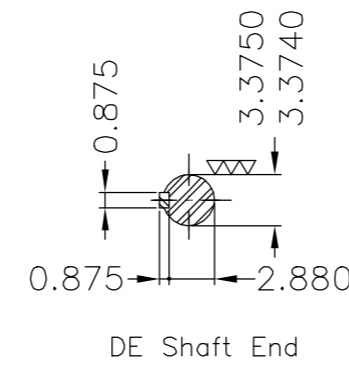


Grounding for leads 35-70 mm² / 1-2/0 AWG



Center hole
DUNC 3/4" - 10 WEG TBG12

Grounding for leads 25-185 mm² / 3AWG-350MCM



- Planicidade especial dos pés conforme IEEE841/API 541
Special feet flatness according to IEEE841/API 541
- Defletor de ar dianteiro / Drive-End Air Deflector
- Ventilador de bronze / Bronze fan
- Dreno Roscado Tipo "T" / Type "T" threaded drain plug
- Aplicar óleo protetivo Tirroil nos encaixes das tampas / Apply tirroil oil on endshields fittings
- Permatex nos parafusos / Apply Permatex on the screws
- Graxeira prolongada em aço inoxidável / Stainless steel extended grease fitting
- Vedação - INPRO/SEAL / Sealing - INPRO/SEAL
- Pintura interna tropicalizada conforme IEEE841 / Tropicalized internal painting according to IEEE841
- Saída de graxa conforme IEEE841 / Grease outlet according to IEEE841
- Tampa traseira com mancal eletricamente isolado
NDE endshield with electrically insulated bearing hub
- Cor RAL 5009 / Color RAL 5009
- Plano de pintura 202E / Painting plan 202E
- Forma construtiva NEMA F-1 / Mounting NEMA F-1
- Forma construtiva B3D / Mounting B3R(D)

WEG ELECTRIC CORPORATION - WEC

500001522798	B2	UPDATED AIR DEFLECTOR DETAIL	SAORIN	MARCOSH	MARCOSH	06.11.2018	02
500001473490		ALTERADO CONFORME CLAIM 415116242	PKREYSSIG	CLEBERP	CLEBERP	09.07.2018	01
ECM	LOC	SUMMARY OF MODIFICATIONS	EXECUTED	CHECKED	RELEASED	DATE	VER
EXECUTED	NSCHMIDT	THREE PHASE W22 MOTOR - NEMA PREMIUM EFF FRAME L447/9T IP55 TEFC	10005533776		000 02		
CHECKED	DANIELAW						
RELEASED	DANIELAW						
REL DT	12.02.2018	WMO	Jaraguá do Sul	Product Engineering	SHEET	01 / 01	

350 HP 06 Poles 60Hz 414951783/0-MEC.

A

UNCONTROLLED COPY

RELEASED

ZME A3

