

DATA SHEET

Three Phase Induction Motor - Squirrel Cage



Customer :				
Product line	: Standard Efficiency Three-Phase	Product code :	14786477	
		Catalog # :	.7518ES3E56CFL-S	
Frame	: 56C	Cooling method	: IC411 - TEFC	
Insulation class	: F	Mounting	: F-1	
Duty cycle	: Cont.(S1)	Rotation ¹	: Both (CW and CCW)	
Ambient temperature	: -20°C to +40°C	Starting method	: Direct On Line	
Altitude	: 1000 m.a.s.l.	Approx. weight ²	: 23.1 lb	
Protection degree	: IP55	Moment of inertia (J)	: 0.0648 sq.ft.lb	
Output [HP]	0.75	0.75	0.75	
Poles	4	4	4	
Frequency [Hz]	60	50	50	
Rated voltage [V]	208-230/460	190/380	220/415	
Rated current [A]	2.70-2.44/1.22	2.74/1.37	2.58/1.37	
L. R. Amperes [A]	18.6-16.8/8.42	15.3/7.67	15.5/8.22	
LRC [A]	6.9x(Code K)	5.6x(Code H)	6.0x(Code J)	
No load current [A]	1.55-1.80/0.900	1.71/0.856	1.86/0.985	
Rated speed [RPM]	1755	1440	1445	
Slip [%]	2.50	4.00	3.67	
Rated torque [ft.lb]	2.24	2.74	2.73	
Locked rotor torque [%]	240	170	200	
Breakdown torque [%]	300	229	260	
Service factor		1.15	1.15	
Temperature rise	80 K	80 K	80 K	
Locked rotor time	30s (cold) 17s (hot)	0s (cold) 0s (hot)	0s (cold) 0s (hot)	
Noise level ²	52.0 dB(A)	49.0 dB(A)	49.0 dB(A)	
Efficiency (%)	25%	70.4	72.6	69.8
	50%	72.0	73.1	71.0
	75%	77.0	76.5	75.6
	100%	78.5	76.5	76.5
Power Factor	25%	0.26	0.33	0.29
	50%	0.48	0.58	0.53
	75%	0.61	0.72	0.67
	100%	0.72	0.80	0.76
Bearing type	: Drive end 6203 ZZ Non drive end 6202 ZZ	Foundation loads		
Sealing	: V'Ring Without Bearing Seal	Max. traction	: 58 lb	
		Max. compression	: 81 lb	
Lubrication interval	: - -			
Lubricant amount	: - -			
Lubricant type	: Mobil Polyrex EM			
Notes USABLE @208V SF 1.00				
This revision replaces and cancel the previous one, which must be eliminated. (1) Looking the motor from the shaft end. (2) Measured at 1m and with tolerance of +3dB(A). (3) Approximate weight subject to changes after manufacturing process. (4) At 100% of full load.		These are average values based on tests with sinusoidal power supply, subject to the tolerances stipulated in NEMA MG-1.		
Rev.	Changes Summary	Performed	Checked	Date
Performed by				
Checked by			Page	Revision
Date	11/04/2022		1 / 13	

TORQUE AND CURRENT VS SPEED CURVE

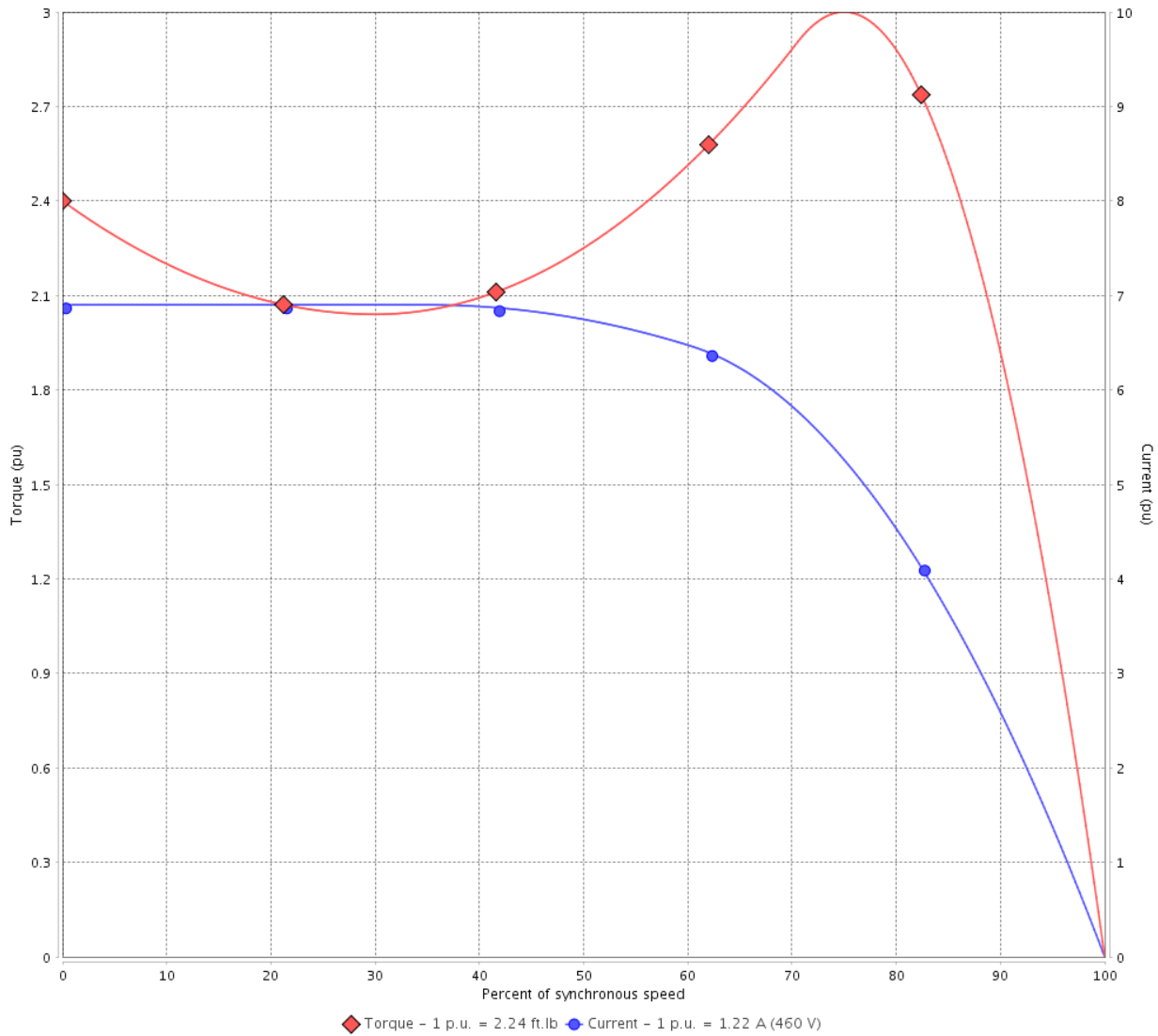
Three Phase Induction Motor - Squirrel Cage



Customer :

Product line : Standard Efficiency Three-Phase Product code : 14786477
 Catalog # : .7518ES3E56CFL-S

TORQUE AND CURRENT VS SPEED CURVE



Performance : 208-230/460 V 60 Hz 4P

Rated current	: 2.70-2.44/1.22 A	Moment of inertia (J)	: 0.0648 sq.ft.lb
LRC	: 6.9	Duty cycle	: Cont.(S1)
Rated torque	: 2.24 ft.lb	Insulation class	: F
Locked rotor torque	: 240 %	Service factor	:
Breakdown torque	: 300 %	Temperature rise	: 80 K
Rated speed	: 1755 rpm		

Locked rotor time : 30s (cold) 17s (hot)

Rev.	Changes Summary	Performed	Checked	Date
Performed by			Page 2 / 13	Revision
Checked by				
Date	11/04/2022			

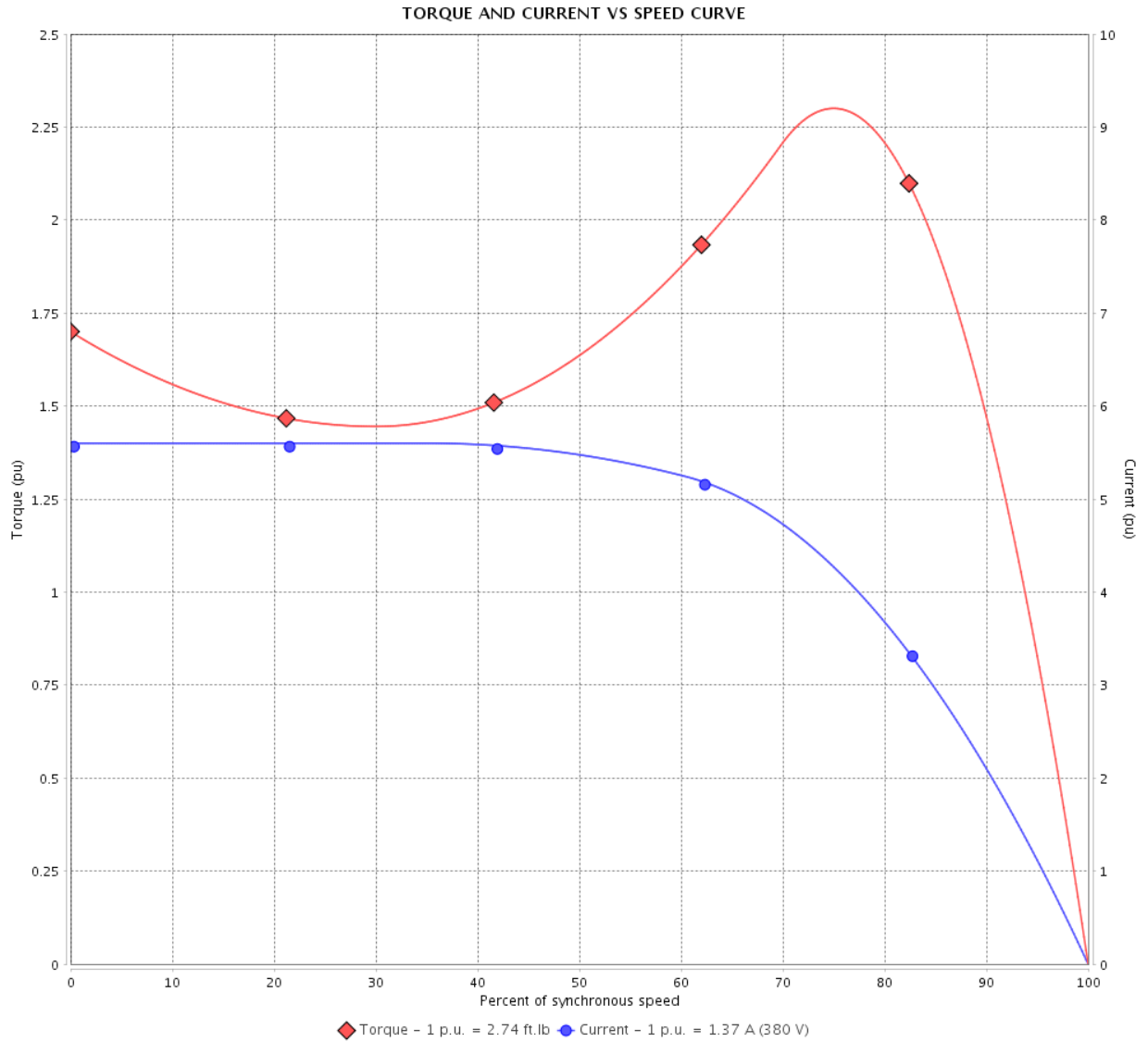
TORQUE AND CURRENT VS SPEED CURVE



Three Phase Induction Motor - Squirrel Cage

Customer : _____

Product line : Standard Efficiency Three-Phase Product code : 14786477
 Catalog # : .7518ES3E56CFL-S



Performance : 190/380 V 50 Hz 4P

Rated current	: 2.74/1.37 A	Moment of inertia (J)	: 0.0648 sq.ft.lb
LRC	: 5.6	Duty cycle	: Cont.(S1)
Rated torque	: 2.74 ft.lb	Insulation class	: F
Locked rotor torque	: 170 %	Service factor	: 1.15
Breakdown torque	: 229 %	Temperature rise	: 80 K
Rated speed	: 1440 rpm		

Locked rotor time : 0s (cold) 0s (hot)

Rev.	Changes Summary	Performed	Checked	Date
Performed by			Page 3 / 13	Revision
Checked by				
Date	11/04/2022			

TORQUE AND CURRENT VS SPEED CURVE

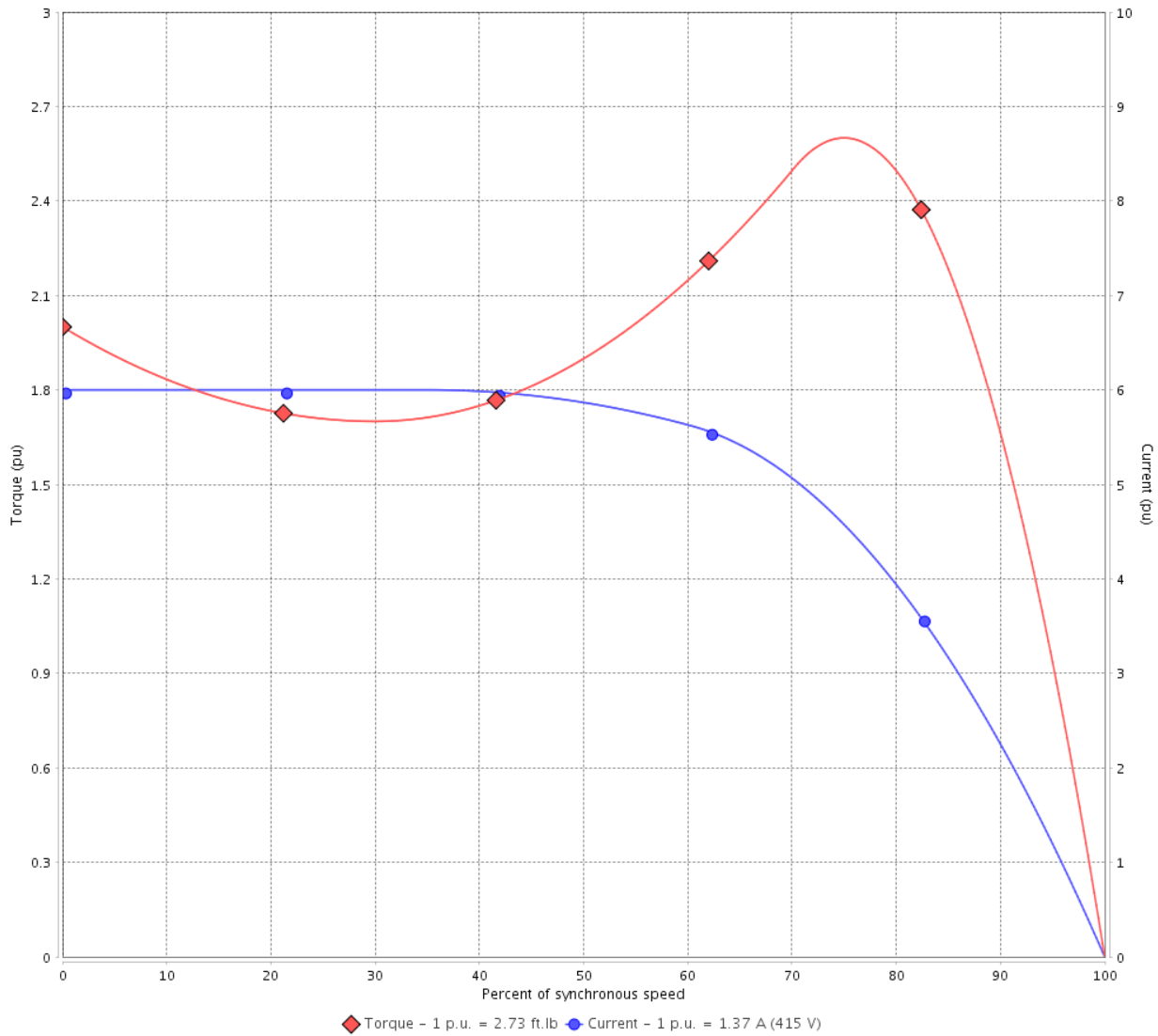
Three Phase Induction Motor - Squirrel Cage



Customer :

Product line : Standard Efficiency Three-Phase Product code : 14786477
 Catalog # : .7518ES3E56CFL-S

TORQUE AND CURRENT VS SPEED CURVE



Performance : 220/415 V 50 Hz 4P

Rated current	: 2.58/1.37 A	Moment of inertia (J)	: 0.0648 sq.ft.lb
LRC	: 6.0	Duty cycle	: Cont.(S1)
Rated torque	: 2.73 ft.lb	Insulation class	: F
Locked rotor torque	: 200 %	Service factor	: 1.15
Breakdown torque	: 260 %	Temperature rise	: 80 K
Rated speed	: 1445 rpm		

Locked rotor time : 0s (cold) 0s (hot)

Rev.	Changes Summary	Performed	Checked	Date
Performed by			Page 4 / 13	Revision
Checked by				
Date	11/04/2022			

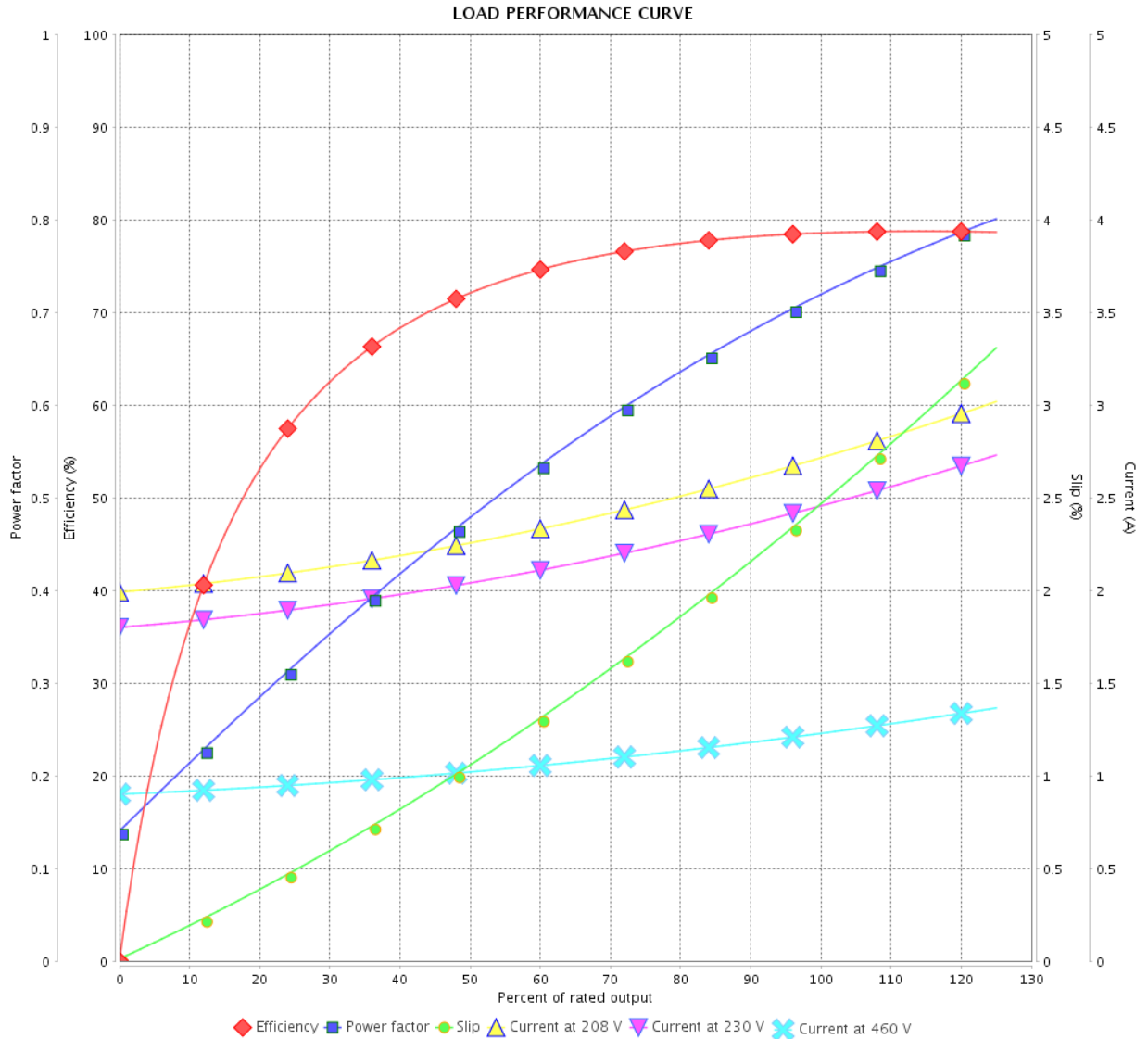
LOAD PERFORMANCE CURVE

Three Phase Induction Motor - Squirrel Cage



Customer : _____

Product line : Standard Efficiency Three-Phase Product code : 14786477
 Catalog # : .7518ES3E56CFL-S



Performance : 208-230/460 V 60 Hz 4P

Rated current : 2.70-2.44/1.22 A
 LRC : 6.9
 Rated torque : 2.24 ft.lb
 Locked rotor torque : 240 %
 Breakdown torque : 300 %
 Rated speed : 1755 rpm

Moment of inertia (J) : 0.0648 sq.ft.lb
 Duty cycle : Cont.(S1)
 Insulation class : F
 Service factor :
 Temperature rise : 80 K

Rev.	Changes Summary	Performed	Checked	Date
Performed by			Page	Revision
Checked by				
Date				

LOAD PERFORMANCE CURVE

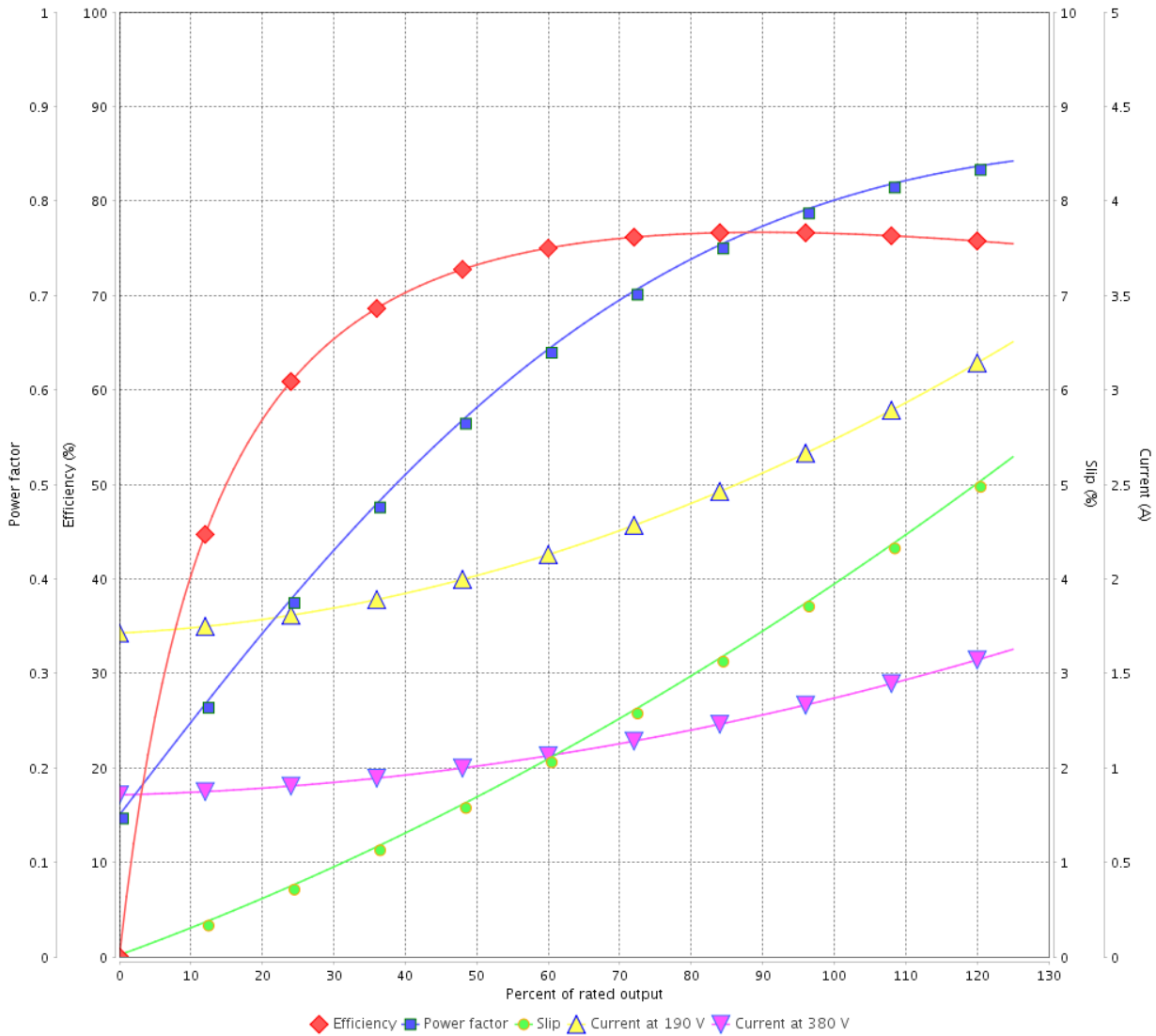
Three Phase Induction Motor - Squirrel Cage



Customer : _____

Product line : Standard Efficiency Three-Phase Product code : 14786477
 Catalog # : .7518ES3E56CFL-S

LOAD PERFORMANCE CURVE



Performance : 190/380 V 50 Hz 4P

Rated current	: 2.74/1.37 A	Moment of inertia (J)	: 0.0648 sq.ft.lb
LRC	: 5.6	Duty cycle	: Cont.(S1)
Rated torque	: 2.74 ft.lb	Insulation class	: F
Locked rotor torque	: 170 %	Service factor	: 1.15
Breakdown torque	: 229 %	Temperature rise	: 80 K
Rated speed	: 1440 rpm		

Rev.	Changes Summary	Performed	Checked	Date
Performed by			Page 6 / 13	Revision
Checked by				
Date	11/04/2022			

LOAD PERFORMANCE CURVE

Three Phase Induction Motor - Squirrel Cage



Customer :

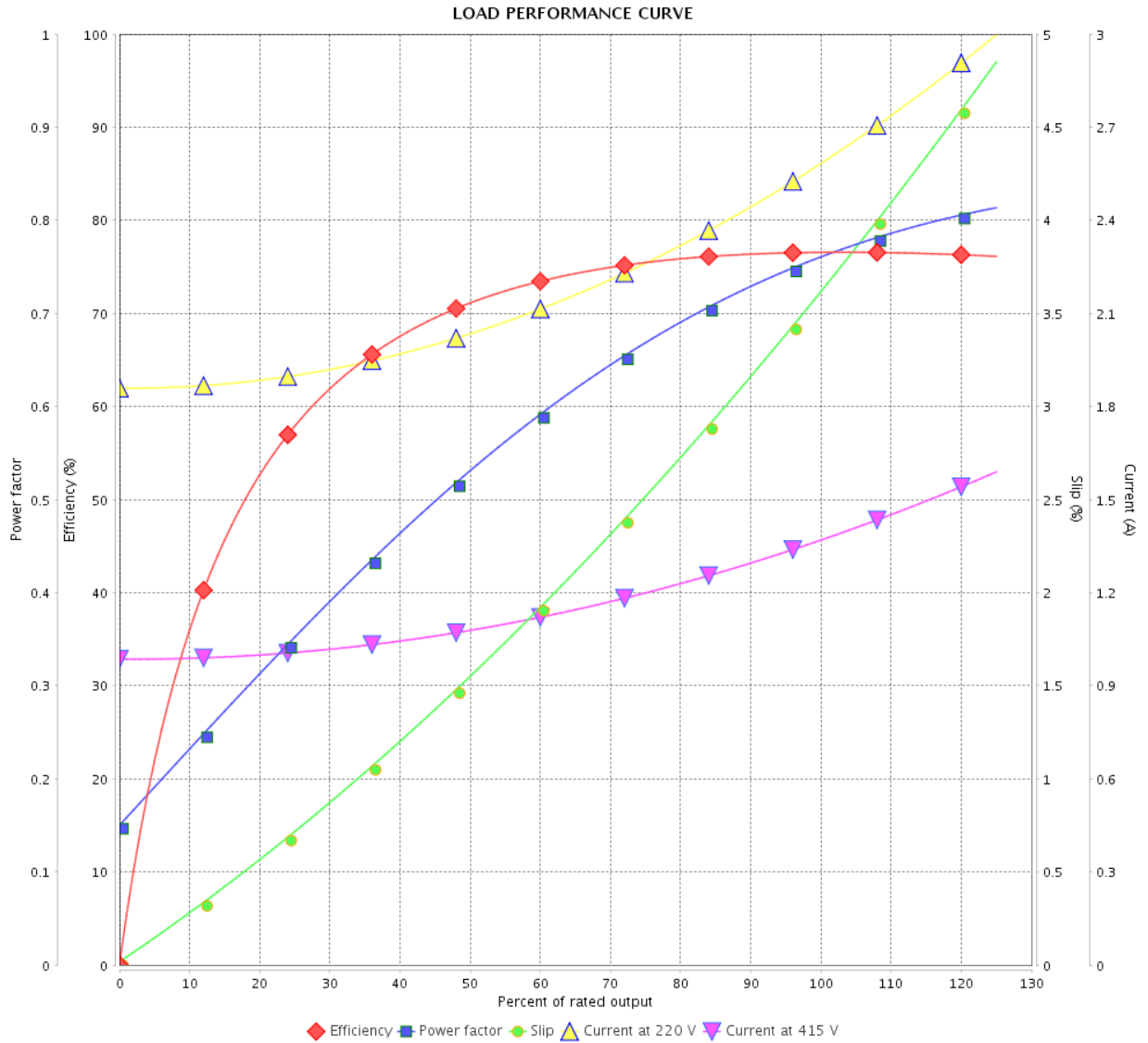
Product line : Standard Efficiency Three-Phase

Product code :

14786477

Catalog # :

.7518ES3E56CFL-S



Performance : 220/415 V 50 Hz 4P

Rated current : 2.58/1.37 A
 LRC : 6.0
 Rated torque : 2.73 ft.lb
 Locked rotor torque : 200 %
 Breakdown torque : 260 %
 Rated speed : 1445 rpm

Moment of inertia (J) : 0.0648 sq.ft.lb
 Duty cycle : Cont.(S1)
 Insulation class : F
 Service factor : 1.15
 Temperature rise : 80 K

Rev.	Changes Summary	Performed	Checked	Date
Performed by		Page		Revision
Checked by		7 / 13		
Date		11/04/2022		

THERMAL LIMIT CURVE

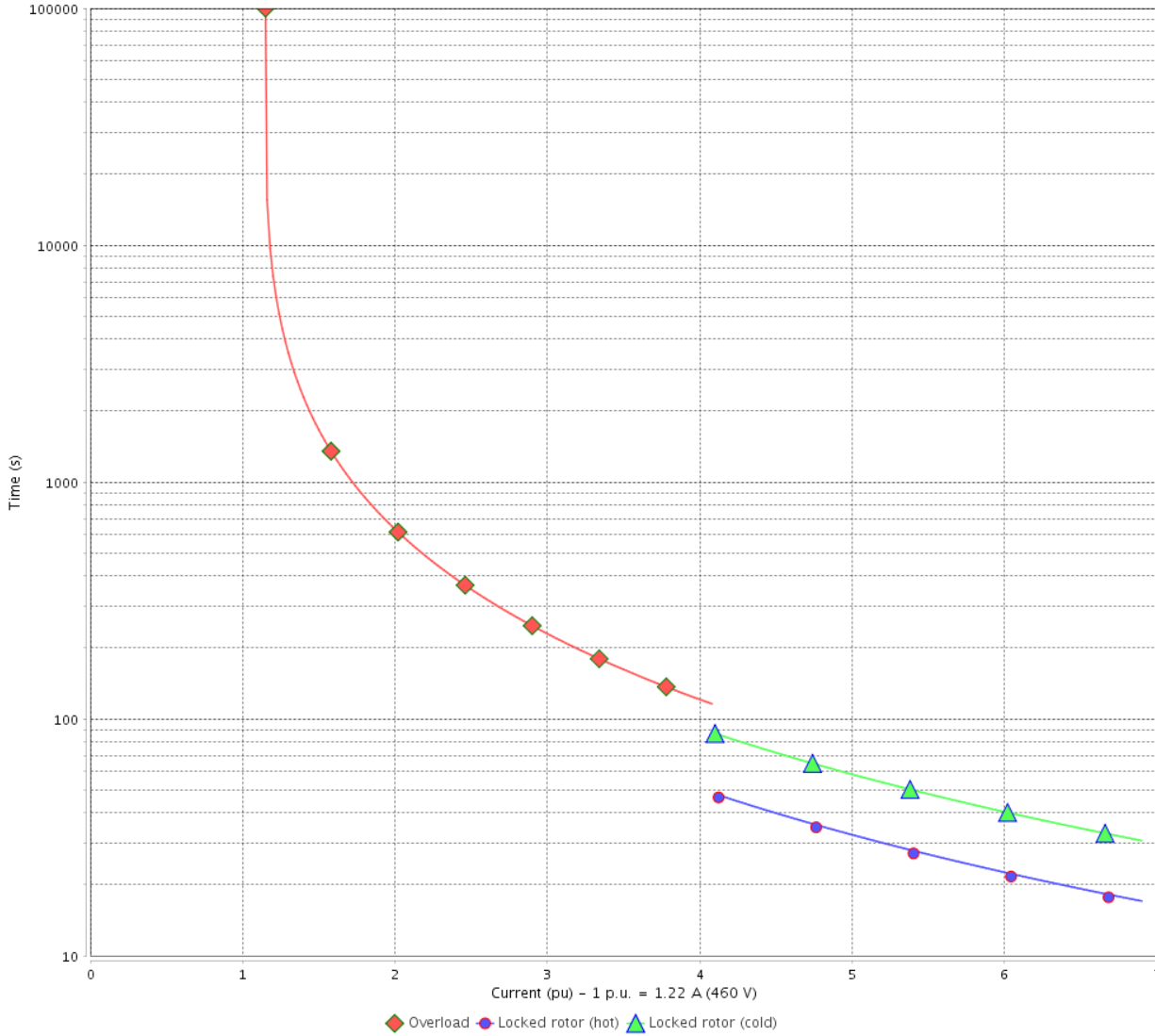
Three Phase Induction Motor - Squirrel Cage



Customer : _____

Product line : Standard Efficiency Three-Phase Product code : 14786477
 Catalog # : .7518ES3E56CFL-S

THERMAL LIMIT CURVE



Performance : 208-230/460 V 60 Hz 4P

Rated current	: 2.70-2.44/1.22 A	Moment of inertia (J)	: 0.0648 sq.ft.lb
LRC	: 6.9	Duty cycle	: Cont.(S1)
Rated torque	: 2.24 ft.lb	Insulation class	: F
Locked rotor torque	: 240 %	Service factor	:
Breakdown torque	: 300 %	Temperature rise	: 80 K
Rated speed	: 1755 rpm		

Heating constant
Cooling constant

Rev.	Changes Summary	Performed	Checked	Date
Performed by			Page 8 / 13	Revision
Checked by				
Date	11/04/2022			

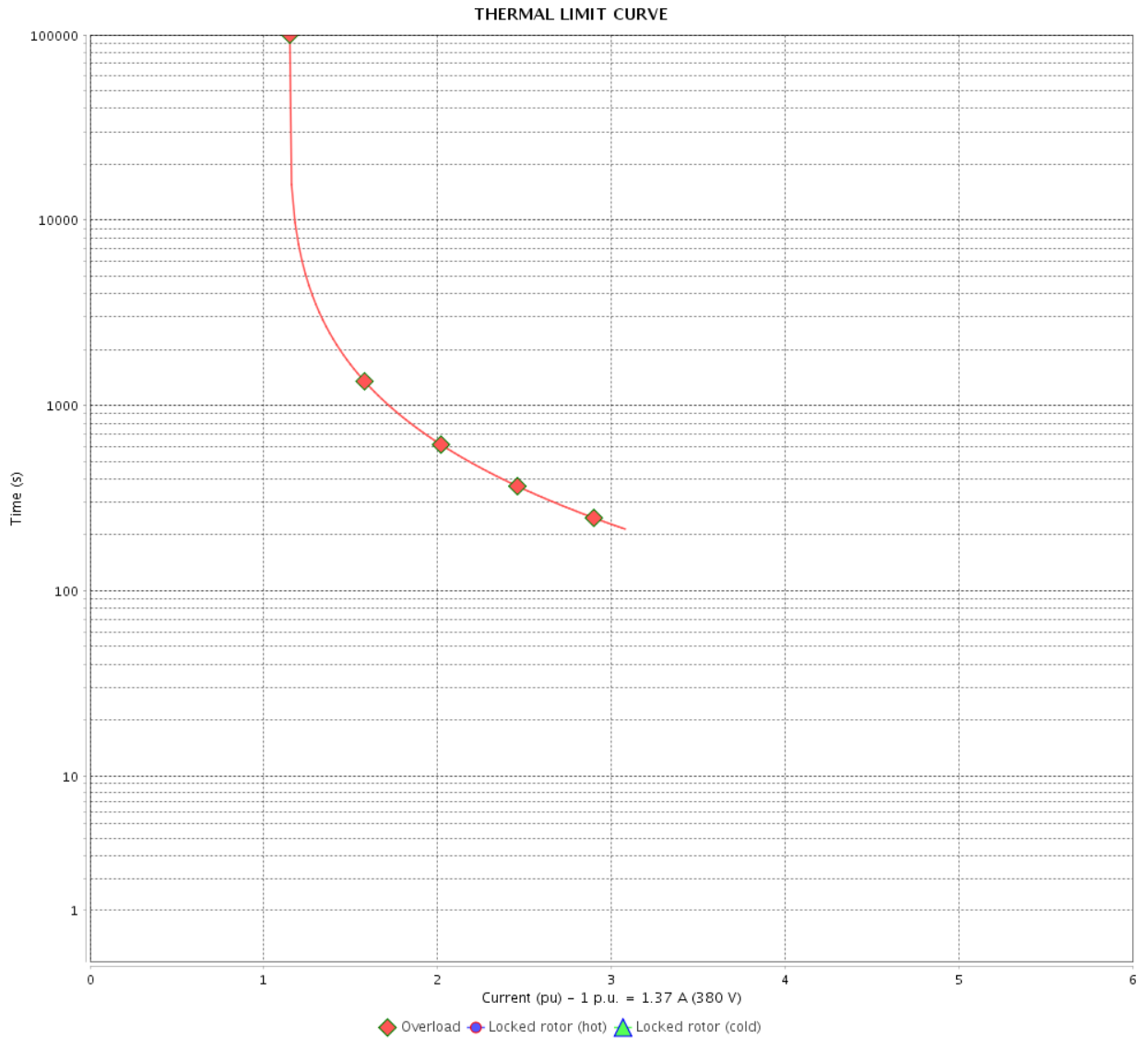
THERMAL LIMIT CURVE

Three Phase Induction Motor - Squirrel Cage



Customer : _____

Product line : Standard Efficiency Three-Phase Product code : 14786477
 Catalog # : .7518ES3E56CFL-S



Performance : 190/380 V 50 Hz 4P

Rated current : 2.74/1.37 A
 LRC : 5.6
 Rated torque : 2.74 ft.lb
 Locked rotor torque : 170 %
 Breakdown torque : 229 %
 Rated speed : 1440 rpm

Moment of inertia (J) : 0.0648 sq.ft.lb
 Duty cycle : Cont.(S1)
 Insulation class : F
 Service factor : 1.15
 Temperature rise : 80 K

Heating constant
 Cooling constant

Rev.	Changes Summary	Performed	Checked	Date
Performed by				
Checked by				
Date				
		Page	Revision	
		9 / 13		

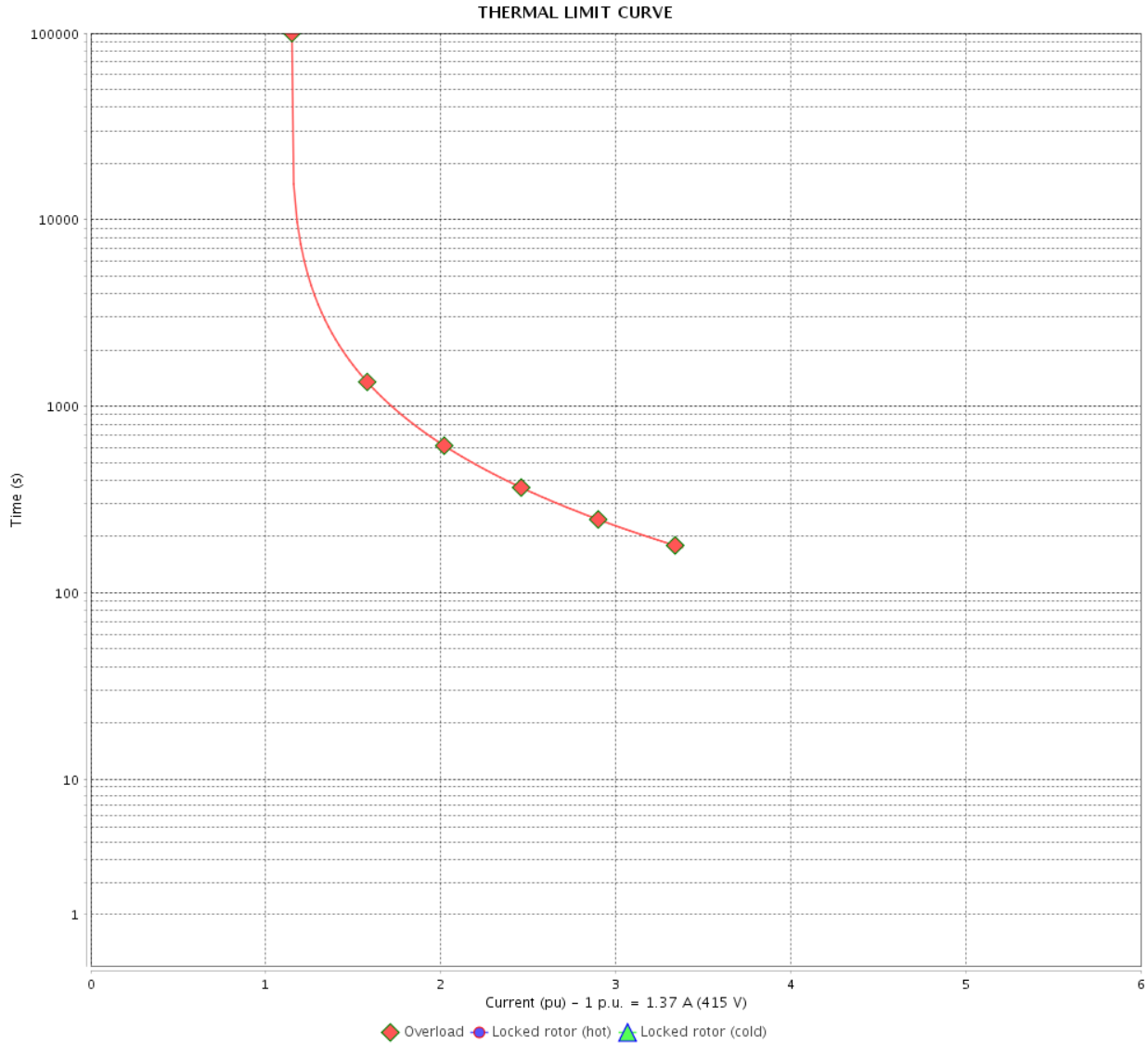
THERMAL LIMIT CURVE

Three Phase Induction Motor - Squirrel Cage



Customer : _____

Product line : Standard Efficiency Three-Phase Product code : 14786477
 Catalog # : .7518ES3E56CFL-S



Performance : 220/415 V 50 Hz 4P

Rated current	: 2.58/1.37 A	Moment of inertia (J)	: 0.0648 sq.ft.lb
LRC	: 6.0	Duty cycle	: Cont.(S1)
Rated torque	: 2.73 ft.lb	Insulation class	: F
Locked rotor torque	: 200 %	Service factor	: 1.15
Breakdown torque	: 260 %	Temperature rise	: 80 K
Rated speed	: 1445 rpm		

Heating constant

Cooling constant

Rev.	Changes Summary	Performed	Checked	Date
Performed by			Page 10 / 13	Revision
Checked by				
Date	11/04/2022			

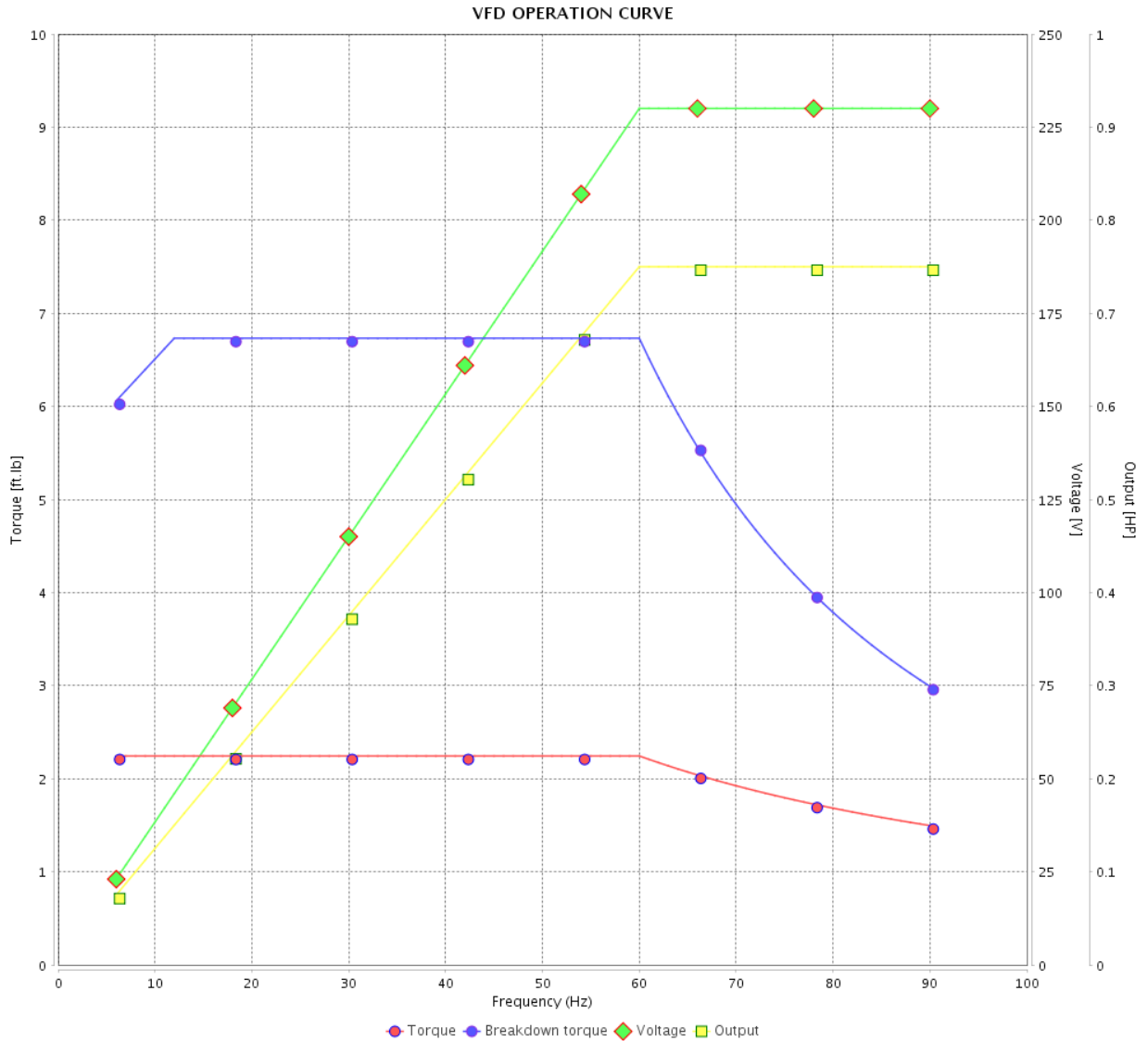
VFD OPERATION CURVE

Three Phase Induction Motor - Squirrel Cage



Customer :

Product line : Standard Efficiency Three-Phase Product code : 14786477
 Catalog # : .7518ES3E56CFL-S



Performance : 208-230/460 V 60 Hz 4P

Rated current : 2.70-2.44/1.22 A
 LRC : 6.9
 Rated torque : 2.24 ft.lb
 Locked rotor torque : 240 %
 Breakdown torque : 300 %
 Rated speed : 1755 rpm

Moment of inertia (J) : 0.0648 sq.ft.lb
 Duty cycle : Cont.(S1)
 Insulation class : F
 Service factor :
 Temperature rise : 80 K

Rev.	Changes Summary	Performed	Checked	Date
Performed by		Page		Revision
Checked by		11 / 13		
Date		11/04/2022		

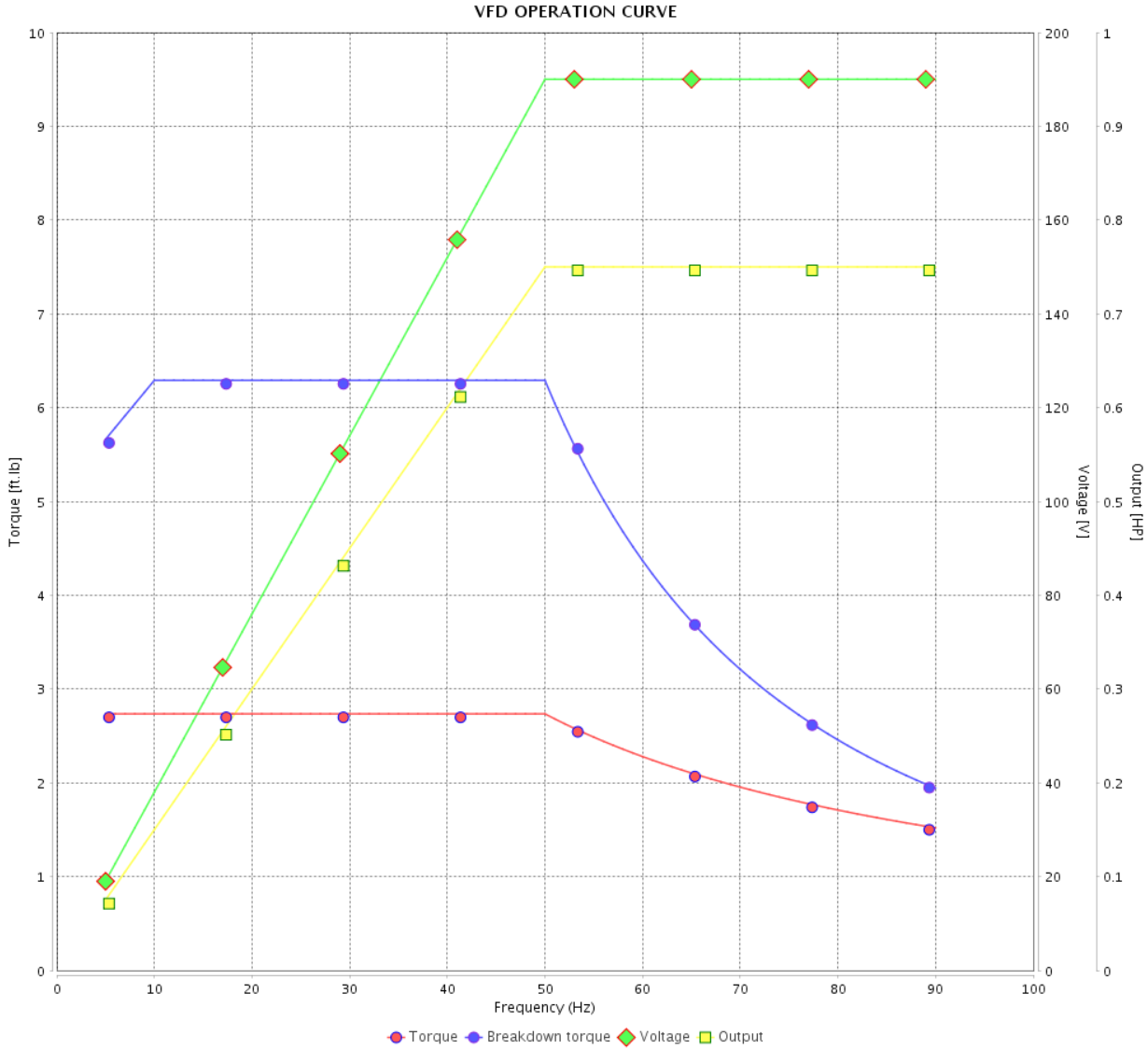
VFD OPERATION CURVE

Three Phase Induction Motor - Squirrel Cage



Customer :

Product line : Standard Efficiency Three-Phase Product code : 14786477
 Catalog # : .7518ES3E56CFL-S



Performance : 190/380 V 50 Hz 4P

Rated current : 2.74/1.37 A
 LRC : 5.6
 Rated torque : 2.74 ft.lb
 Locked rotor torque : 170 %
 Breakdown torque : 229 %
 Rated speed : 1440 rpm

Moment of inertia (J) : 0.0648 sq.ft.lb
 Duty cycle : Cont.(S1)
 Insulation class : F
 Service factor : 1.15
 Temperature rise : 80 K

Rev.	Changes Summary	Performed	Checked	Date
Performed by			Page 12 / 13	Revision
Checked by				
Date	11/04/2022			

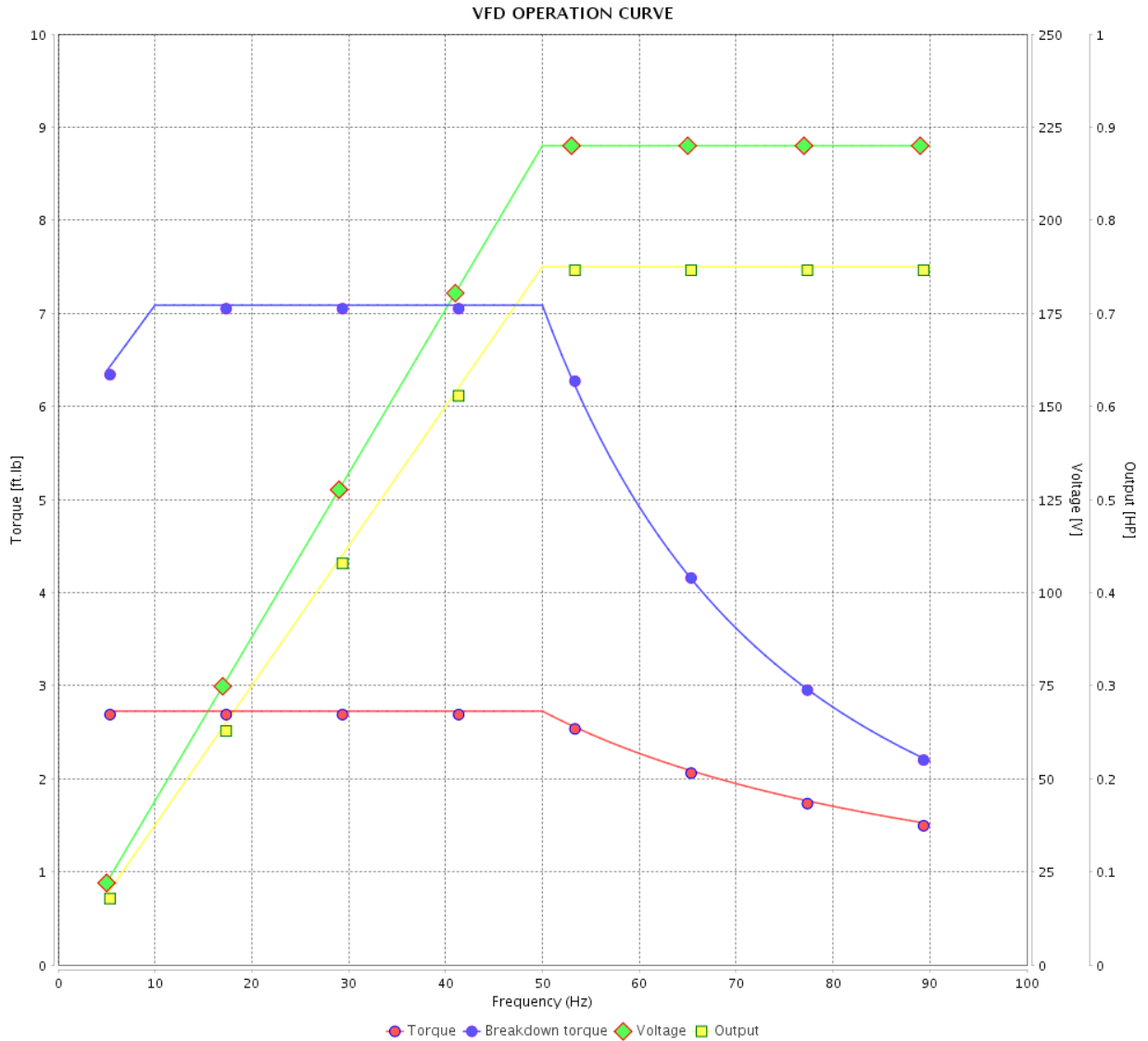
VFD OPERATION CURVE

Three Phase Induction Motor - Squirrel Cage



Customer : _____

Product line : Standard Efficiency Three-Phase Product code : 14786477
 Catalog # : .7518ES3E56CFL-S



Performance : 220/415 V 50 Hz 4P

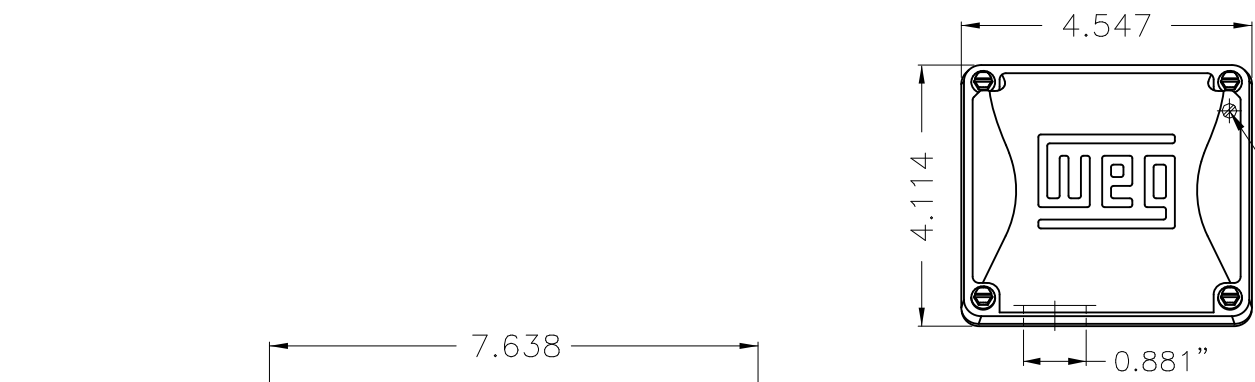
Rated current : 2.58/1.37 A
 LRC : 6.0
 Rated torque : 2.73 ft.lb
 Locked rotor torque : 200 %
 Breakdown torque : 260 %
 Rated speed : 1445 rpm

Moment of inertia (J) : 0.0648 sq.ft.lb
 Duty cycle : Cont.(S1)
 Insulation class : F
 Service factor : 1.15
 Temperature rise : 80 K

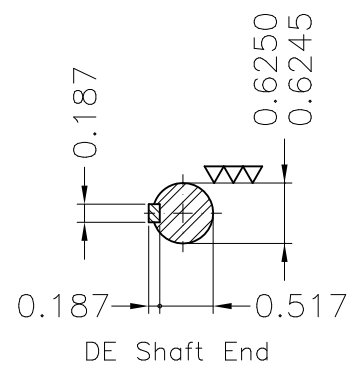
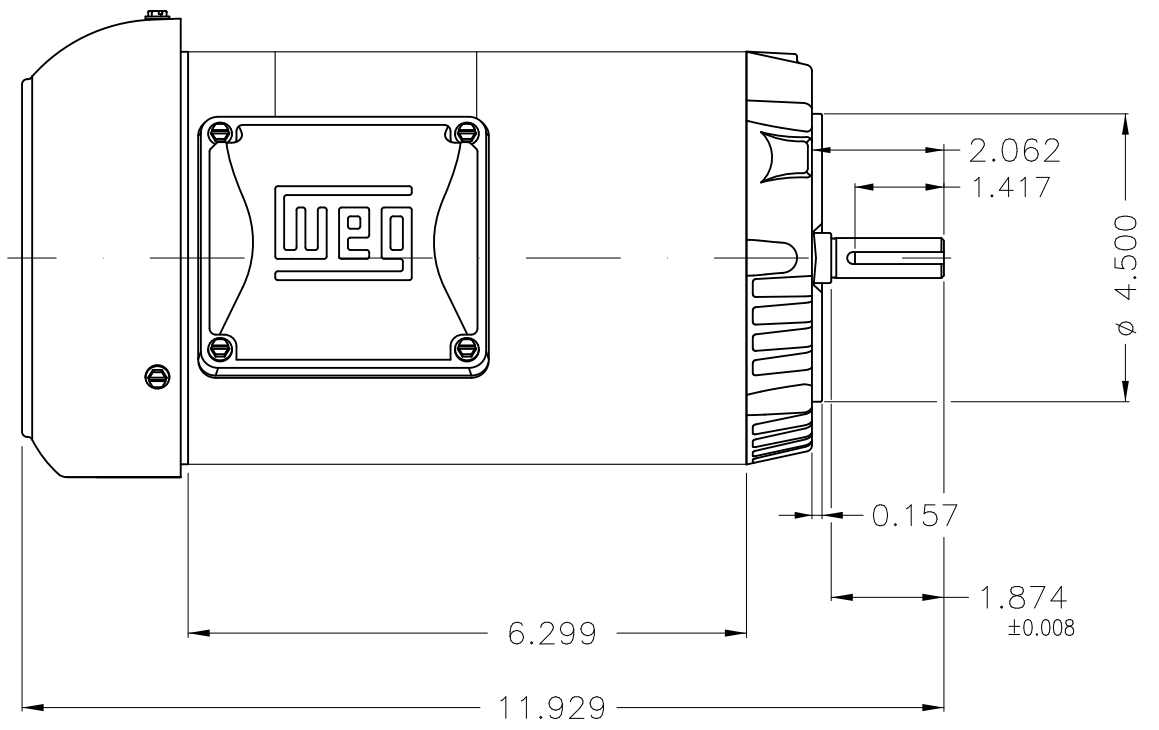
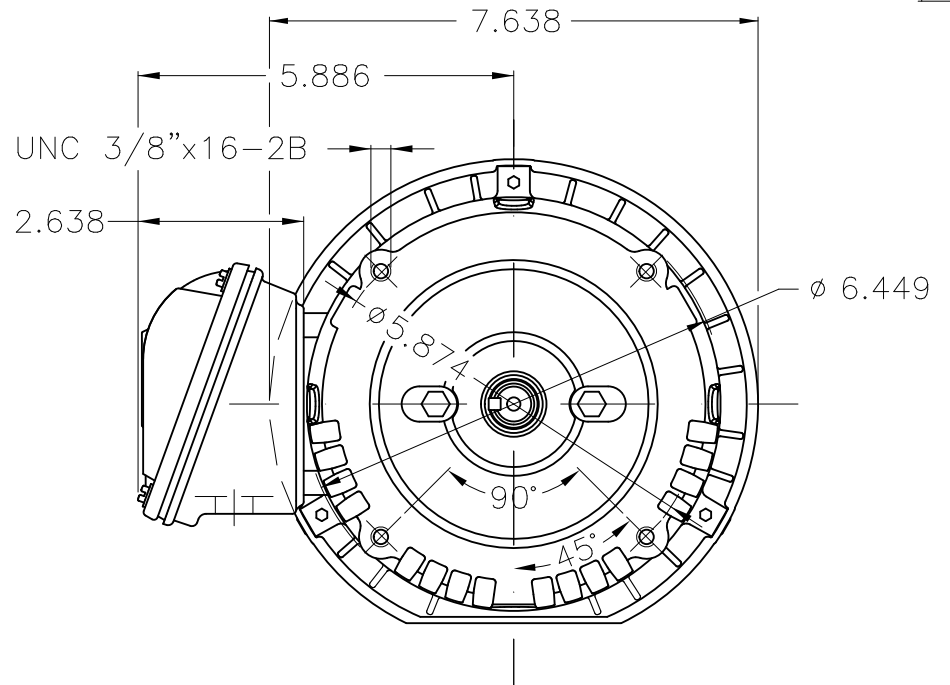
Rev.	Changes Summary	Performed	Checked	Date
Performed by		Page		Revision
Checked by		13 / 13		
Date		11/04/2022		

1 2 3 4 5 6

A
B
C
D
E



Grounding



DE Shaft End

Fan cover - steel plate
 Color Munsell N 1 matte black
 Painting plan 207N
 Mounting F-1/B14R(D)

ECM	LOC	SUMMARY OF MODIFICATIONS	EXECUTED	CHECKED	RELEASED	DATE	VER
EXECUTED	PIRWBUSER	THREE PH. MOTOR ROLLED STEEL					
CHECKED		FRAME 56C IP55 TEFC					
RELEASED							
REL DT.	WMO	Jaragua do Sul	Product Engineering	SHEET	1 / 1		

PREVIEW
WDD



0.75 HP 04 Poles 60 Hz

A



MADE IN BRAZIL

MAT: 14786477

W01.TE0IC0X0X

MODEL 7518ES3E56CFL-S

23MAR2022 B/N:

**For 60Hz: Class I, Zone 2, IIC
Class I, Div.2, Gr. A,B,C,D - T3
DIV 2 Inverter Duty (SF1.00)**

CT 2:1/VT 1000:1

PH 3	Hz 60	HP 0.75
FR 56C		KW 0.55
DUTY CONT.		V 208-230/460
ALT 1000 m.a.s.l.		A 2.70-2.44/1.22
INS CL F AT 80K	IP55	SFA 2.70-2.81/1.40
AMB 40°C	DES -	SF 1.15
ENCL TEFC	CODE K	PF 0.72
USABLE @ 208V SF1.00		RPM 1755
		NEMA NOM. EFF 78.5%

ALTERNATE RATING: 0.75HP 50Hz 190-220/380-415V SF1.15
2.74-2.80/1.37-1.38A 1440RPM EFF 78.1% (IE1) IEC 60034-1

For safe area-Inverter duty motor For 60Hz use on VPWM 1000:1 VT, 10:1 CT

DE 6203-ZZ	ODE 6202-ZZ	MOBIL POLYREX EM
------------	-------------	------------------



T1-BLU T2-WHT
 T3-ORG T4-YEL
 T5-BLK T6-GRY
 T7-PNK T8-RED
 T9-BRK RED

INTERCHANGE ANY TWO LINE WIRES TO REVERSE THE ROTATION



WARNING: Motor must be grounded in accordance with local and national electrical codes to prevent serious electrical shocks. Disconnect power source before servicing unit.

AVERTISSEMENT: Le moteur doit être mis à la terre conformément aux codes électriques locaux et nationaux afin d'éviter tout choc électrique grave. Déconnectez l'alimentation avant l'entretien de la machine.

