

DATA SHEET



Three Phase Induction Motor - Squirrel Cage

Customer : _____						
Product line		: Premium Efficiency Three-Phase		Product code : 14502397		
				Catalog # : 7518OT3H56C-S		
Frame : 56C Output : 0.75 HP (0.550 kW) Poles : 4 Frequency : 60 Hz Rated voltage : 575 V Rated current : 0.920 A L. R. Amperes : 6.72 A LRC : 7.3x(Code K) No load current : 0.640 A Rated speed : 1760 rpm Slip : 2.22 % Rated torque : 2.24 ft.lb Locked rotor torque : 250 % Breakdown torque : 300 % Insulation class : F Service factor : 1.25 Moment of inertia (J) : 0.0712 sq.ft.lb			Locked rotor time : 37s (cold) 21s (hot) Temperature rise : 80 K Duty cycle : Cont.(S1) Ambient temperature : -20°C to +40°C Altitude : 1000 m.a.s.l. Cooling method : IC01 - ODP Mounting : F-1 Rotation ¹ : Both (CW and CCW) Noise level ² : 52.0 dB(A) Starting method : Direct On Line Approx. weight ³ : 27.0 lb			
Output		25%	50%	75%	100%	
Efficiency (%)		71.6	74.0	78.5	81.1	
Power Factor		0.29	0.52	0.65	0.74	
Foundation loads						
				Max. traction	: 52 lb	
				Max. compression	: 79 lb	
		<u>Drive end</u>		<u>Non drive end</u>		
Bearing type		: 6203 ZZ		: 6202 ZZ		
Sealing		: Without Bearing Seal		: Without Bearing Seal		
Lubrication interval		: -		: -		
Lubricant amount		: -		: -		
Lubricant type		: Mobil Polyrex EM				
Notes						
This revision replaces and cancel the previous one, which must be eliminated. (1) Looking the motor from the shaft end. (2) Measured at 1m and with tolerance of +3dB(A). (3) Approximate weight subject to changes after manufacturing process. (4) At 100% of full load.			These are average values based on tests with sinusoidal power supply, subject to the tolerances stipulated in NEMA MG-1.			
Rev.	Changes Summary			Performed	Checked	
					Date	
Performed by					Page 1 / 5	
Checked by						Revision
Date	11/04/2022					

TORQUE AND CURRENT VS SPEED CURVE

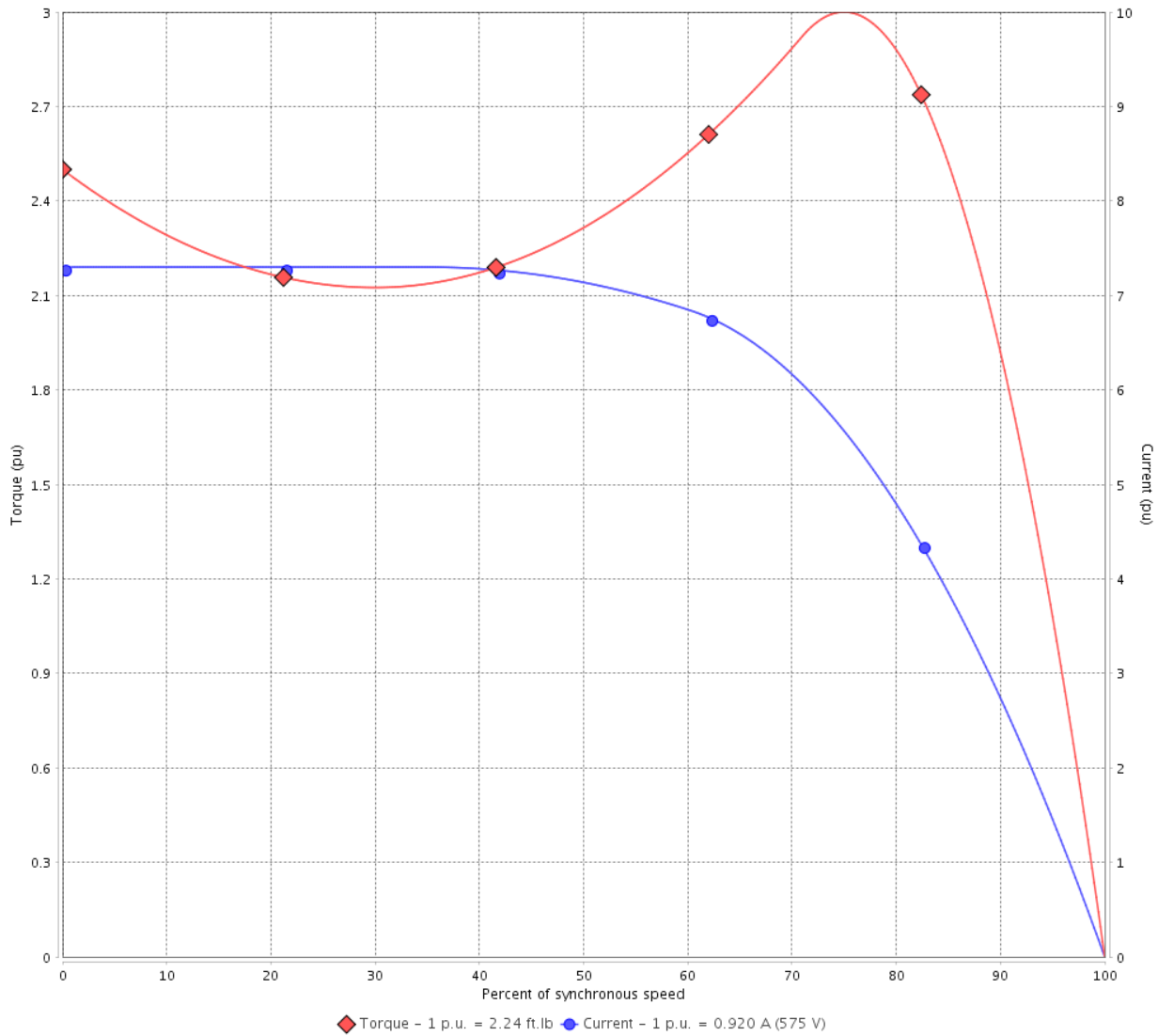
Three Phase Induction Motor - Squirrel Cage



Customer :

Product line : Premium Efficiency Three-Phase Product code : 14502397
 Catalog # : .7518OT3H56C-S

TORQUE AND CURRENT VS SPEED CURVE



Performance : 575 V 60 Hz 4P

Rated current	: 0.920 A	Moment of inertia (J)	: 0.0712 sq.ft.lb
LRC	: 7.3	Duty cycle	: Cont.(S1)
Rated torque	: 2.24 ft.lb	Insulation class	: F
Locked rotor torque	: 250 %	Service factor	: 1.25
Breakdown torque	: 300 %	Temperature rise	: 80 K
Rated speed	: 1760 rpm		

Locked rotor time : 37s (cold) 21s (hot)

Rev.	Changes Summary	Performed	Checked	Date
Performed by			Page 2 / 5	Revision
Checked by				
Date	11/04/2022			

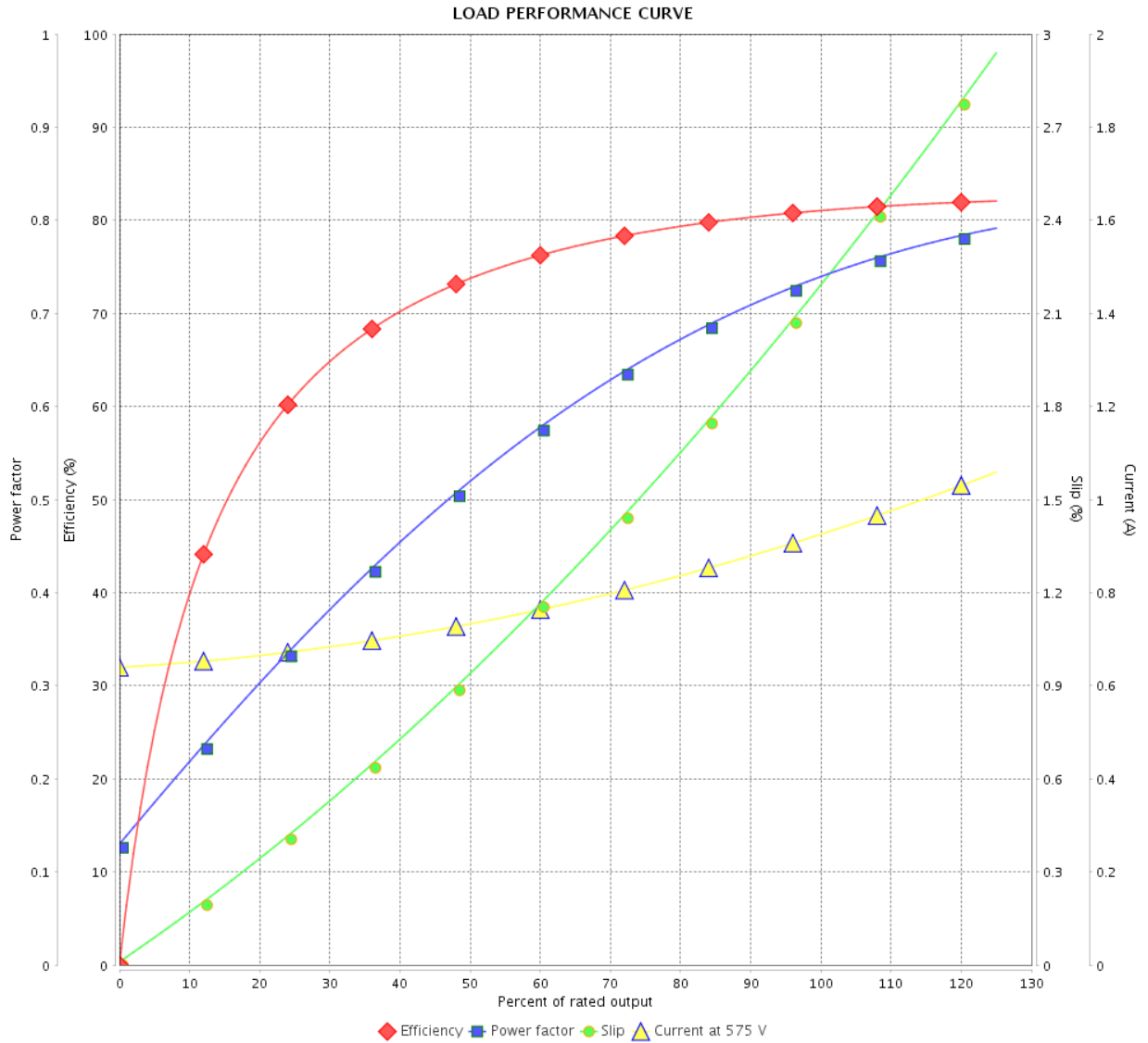
LOAD PERFORMANCE CURVE

Three Phase Induction Motor - Squirrel Cage



Customer :

Product line : Premium Efficiency Three-Phase Product code : 14502397
 Catalog # : .7518OT3H56C-S



Performance : 575 V 60 Hz 4P

Rated current : 0.920 A
 LRC : 7.3
 Rated torque : 2.24 ft.lb
 Locked rotor torque : 250 %
 Breakdown torque : 300 %
 Rated speed : 1760 rpm

Moment of inertia (J) : 0.0712 sq.ft.lb
 Duty cycle : Cont.(S1)
 Insulation class : F
 Service factor : 1.25
 Temperature rise : 80 K

Rev.	Changes Summary	Performed	Checked	Date
Performed by			Page 3 / 5	Revision
Checked by				
Date	11/04/2022			

THERMAL LIMIT CURVE

Three Phase Induction Motor - Squirrel Cage



Customer : _____

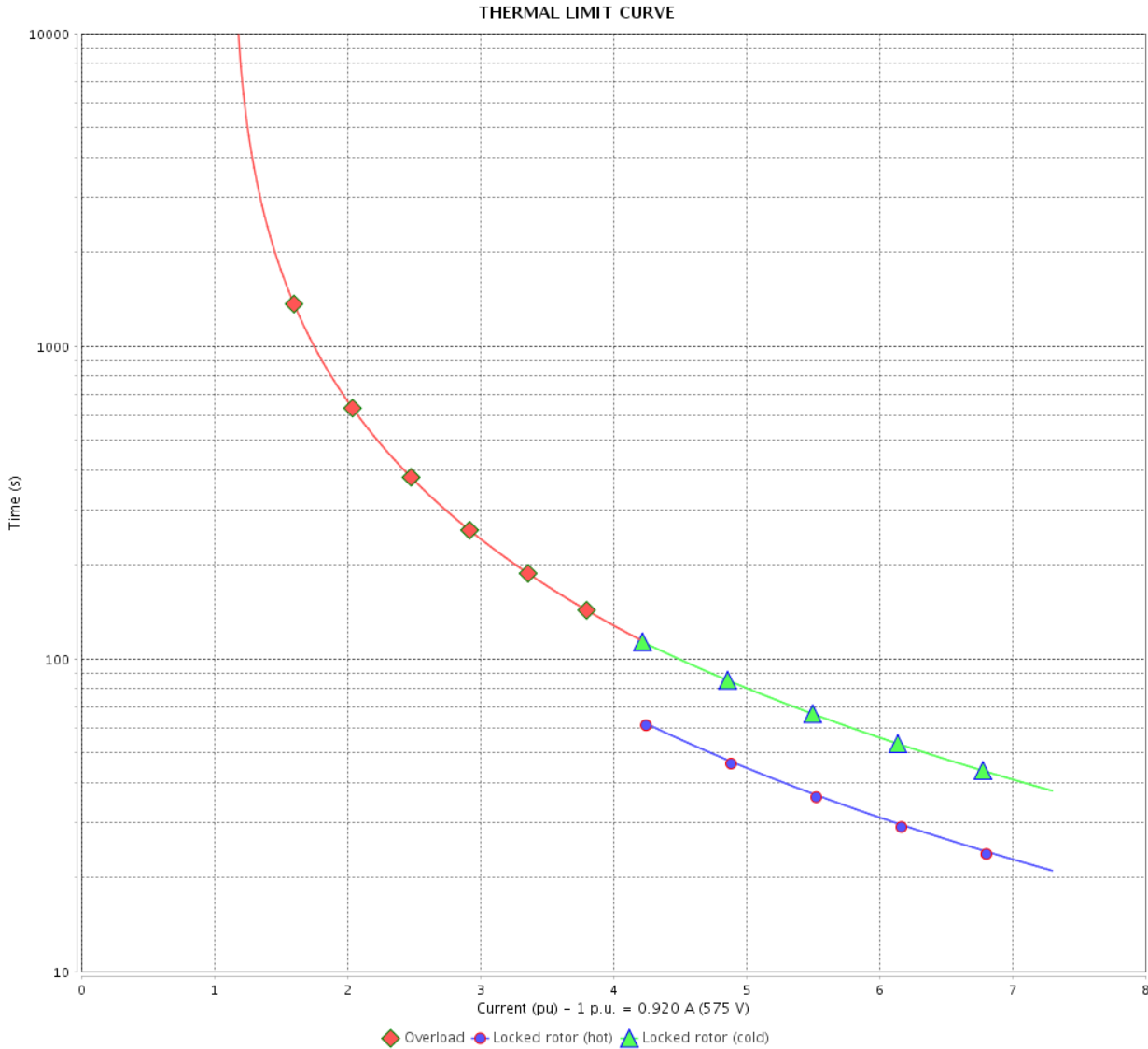
Product line : Premium Efficiency Three-Phase

Product code :

14502397

Catalog # :

.7518OT3H56C-S



Performance : 575 V 60 Hz 4P

Rated current : 0.920 A
 LRC : 7.3
 Rated torque : 2.24 ft.lb
 Locked rotor torque : 250 %
 Breakdown torque : 300 %
 Rated speed : 1760 rpm

Moment of inertia (J) : 0.0712 sq.ft.lb
 Duty cycle : Cont.(S1)
 Insulation class : F
 Service factor : 1.25
 Temperature rise : 80 K

Heating constant

Cooling constant

Rev.	Changes Summary	Performed	Checked	Date
Performed by				
Checked by				
Date				
		Page	Revision	
		4 / 5		

VFD OPERATION CURVE

Three Phase Induction Motor - Squirrel Cage



Customer :

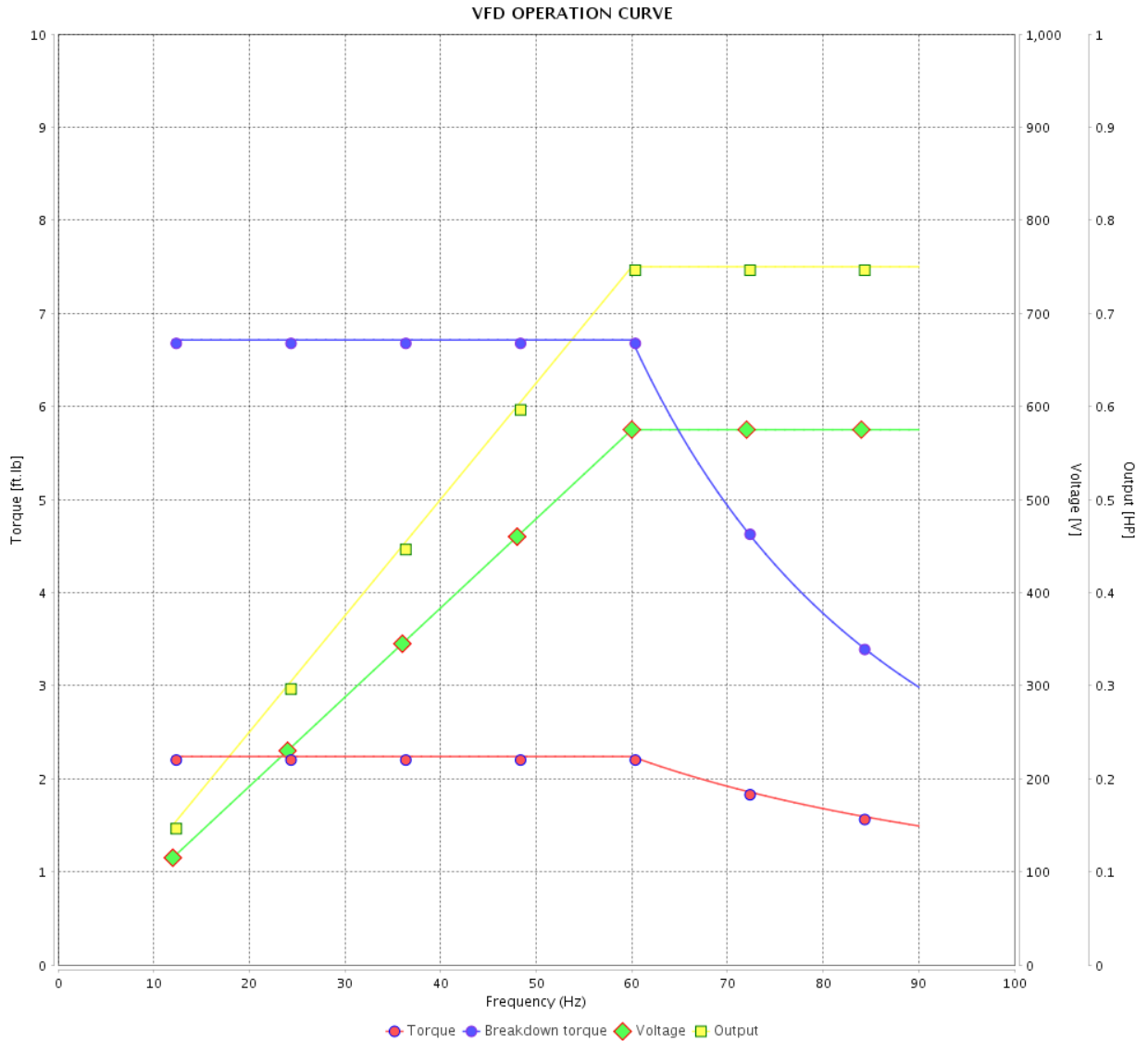
Product line : Premium Efficiency Three-Phase

Product code :

14502397

Catalog # :

.7518OT3H56C-S



Performance : 575 V 60 Hz 4P

Rated current : 0.920 A
 LRC : 7.3
 Rated torque : 2.24 ft.lb
 Locked rotor torque : 250 %
 Breakdown torque : 300 %
 Rated speed : 1760 rpm

Moment of inertia (J) : 0.0712 sq.ft.lb
 Duty cycle : Cont.(S1)
 Insulation class : F
 Service factor : 1.25
 Temperature rise : 80 K

Rev.	Changes Summary	Performed	Checked	Date
Performed by			Page 5 / 5	Revision
Checked by				
Date	11/04/2022			

1 2 3 4 5 6

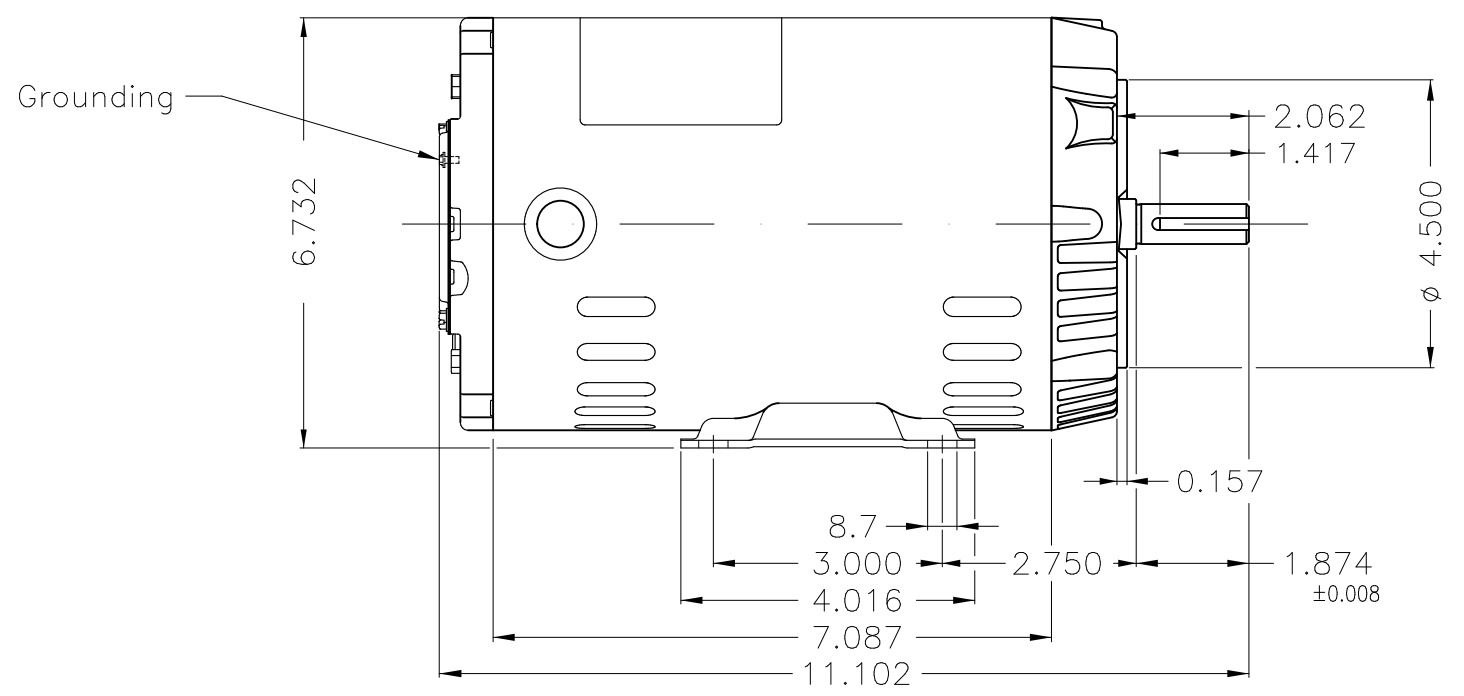
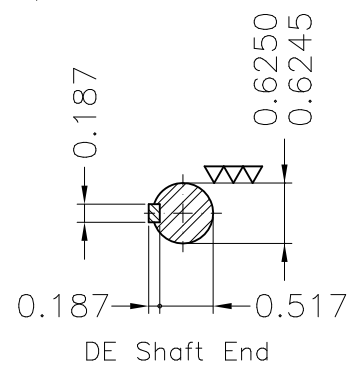
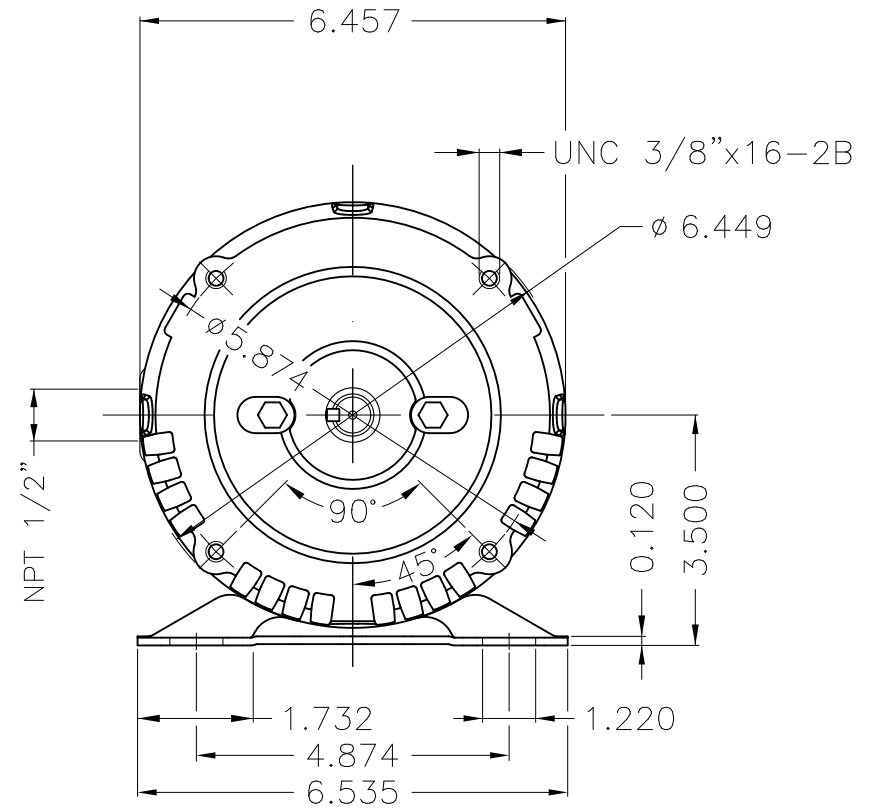
A

B

C

D

E



Dimensions in inches

Without coating										
Mounting F-1/B34R(D)										
ECM	LOC	SUMMARY OF MODIFICATIONS				EXECUTED	CHECKED	RELEASED	DATE	VER
EXECUTED	PIRWUSER	THREE PH. MOTOR ROLLED STEEL PREM. EFF.					PREVIEW WDD			
CHECKED		FRAME 56C IP21 ODP								
RELEASED										
REL DT.		WMO	Jaragua do Sul	Product Engineering	SHEET	1 / 1				

0.75 HP 04 Poles 60 Hz

A

XME A3