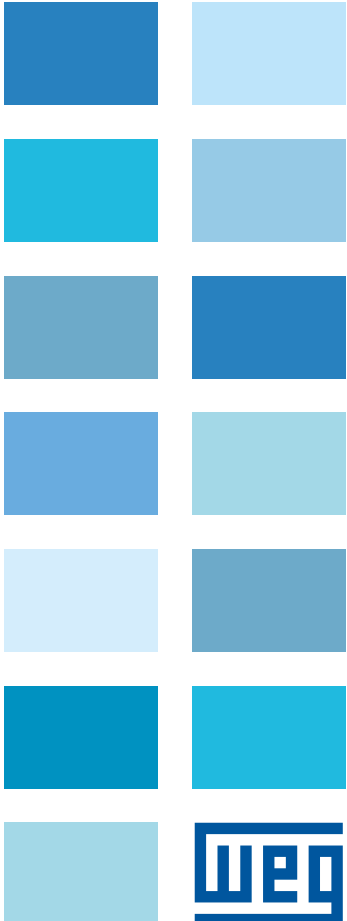


W01 Rolled Steel

Fractional Horsepower Motor

Technical Catalogue
NEMA Market



W01 Rolled Steel

The new generation of WEG general purpose steel motors.

The motors of the W01 Rolled Steel line are the perfect option for applications where performance, robustness and light-weight are required in an all-in-one product

Presenting a whole new electrical and mechanical design, the new platform of Rolled Steel motors are made to run cooler, last longer and to be easier to install and maintain.

Available on two options, the TEFC motors are designed for operating in environments of dirt, dust and moisture, on indoor and outdoor applications, while the ODP motors are designed for environments where dirt and moisture are minimal.

Fractional Horsepower (FHP) motors on NEMA 48 and 56 frame are available on single or three-phase for general

purpose, jet pump and also with resilient base configurations on standard or Premium Efficiency that meet or exceed the Premium Efficiency requirements in accordance to the Department of Energy (DOE) regulations, already in course.

The scenario of increasing demand for more compact and efficient electric motors creates the need to develop new products with higher performance, quality, reliability and that exceed the requirements of customers. In accordance with this thinking, WEG developed the new W01 Rolled Steel platform.



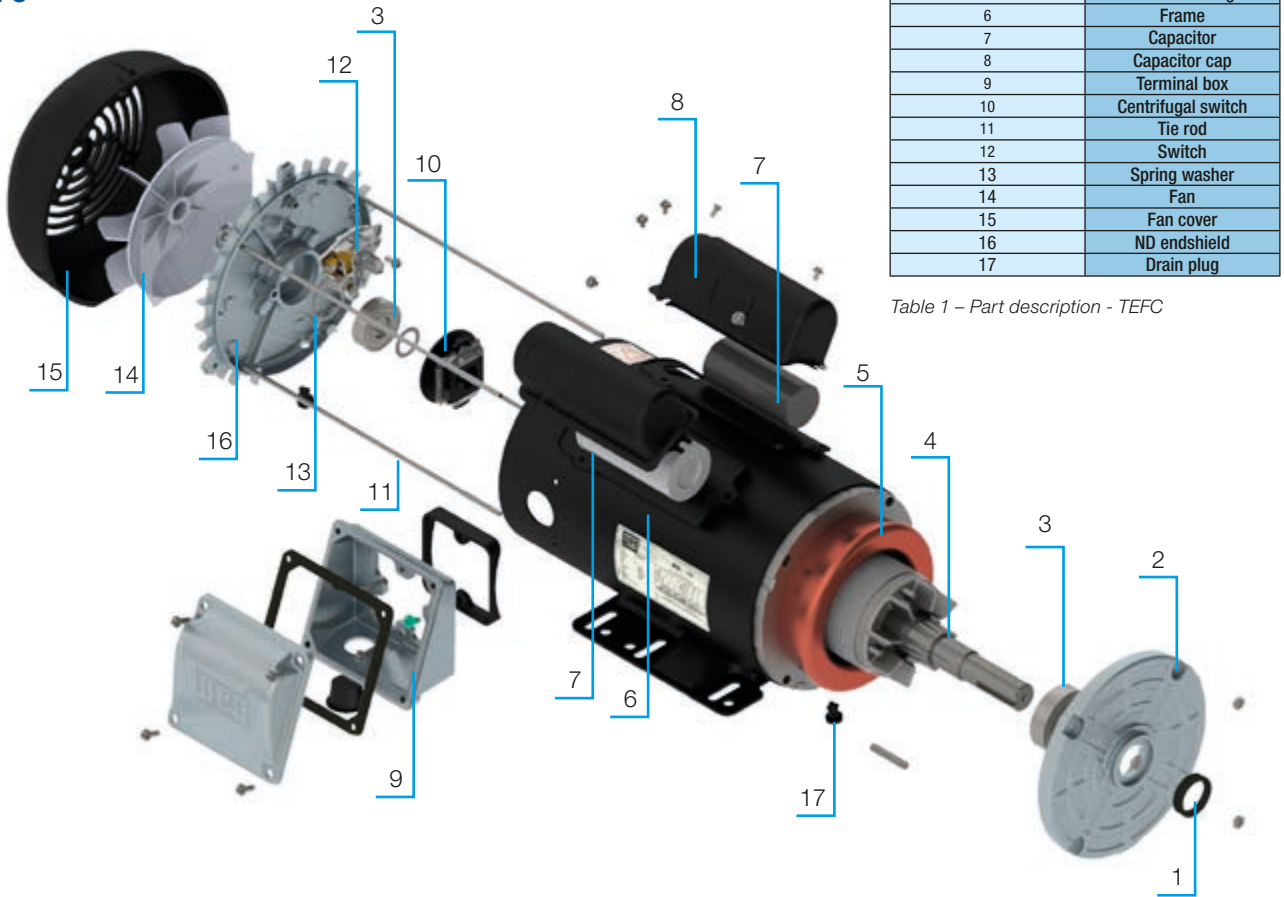
Main features and benefits of the W01 FHP Rolled Steel motors

- New ventilation system for improved thermal performance
- Visual identity along the full scope and with internal bolts
- Oversized diagonally split aluminum terminal box rotatable in 90° increments on TEFC motors
- Optional internal AEGIS® SGR for three-phase motors
- Suitable for VFD operation as per NEMA MG1 part 31.4.4.2
- Color coded/numbered leads as standard for easy wiring
- Bearing cap as standard on all flanged motors



Visual index

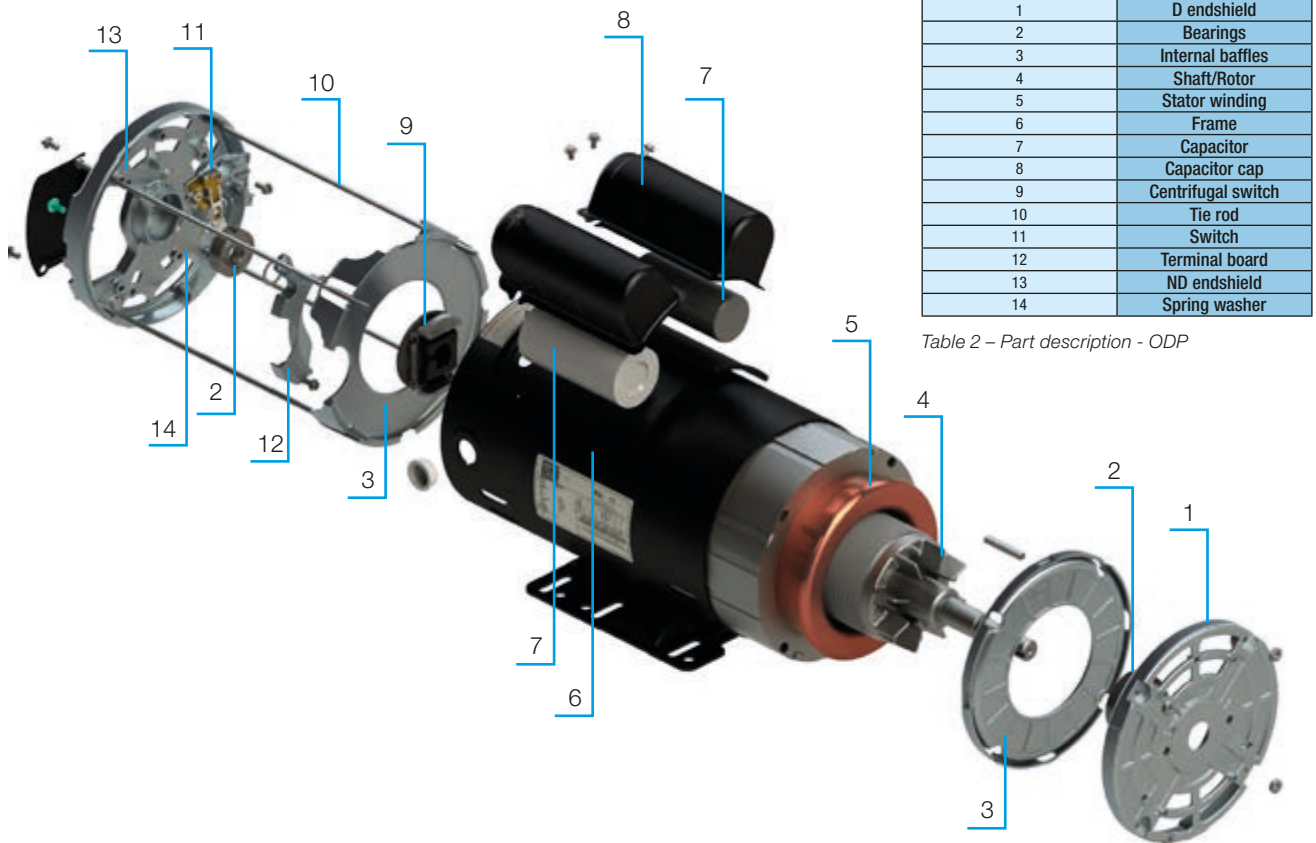
TEFC



1	V ring
2	D endshield
3	Bearings
4	Shaft/Rotor
5	Stator winding
6	Frame
7	Capacitor
8	Capacitor cap
9	Terminal box
10	Centrifugal switch
11	Tie rod
12	Switch
13	Spring washer
14	Fan
15	Fan cover
16	ND endshield
17	Drain plug

Table 1 – Part description - TEFC

ODP



1	D endshield
2	Bearings
3	Internal baffles
4	Shaft/Rotor
5	Stator winding
6	Frame
7	Capacitor
8	Capacitor cap
9	Centrifugal switch
10	Tie rod
11	Switch
12	Terminal board
13	ND endshield
14	Spring washer

Table 2 – Part description - ODP

Table of Contents

1. Standards	6
2. Construction Details.....	6
2.1 Frame.....	6
2.1.1 Feet.....	6
2.2 Eyebolts.....	6
2.3 Shaft Grounding device - AEGIS® SGR for three-phase motors.....	6
2.4 Terminal box.....	7
2.5 Terminal Board.....	7
2.6 Stator winding.....	7
2.7 Endshields and Flanges.....	7
2.8 Drains.....	7
2.9 Ventilation System.....	8
2.10 Fan cover.....	8
2.11 Nameplate.....	8
3. Shaft/Bearings/Stresses.....	8
3.1 Shaft.....	8
3.2 Bearings.....	9
3.2.1 Bearing Caps.....	9
4. Mounting.....	9
5. Protection degree / Seal / Coating.....	9
5.1 Protection degree.....	9
5.2 Bearing Sealing.....	10
5.3 Coating.....	10
6. Voltage / Frequency.....	10
7. Environment.....	10
8. Operation characteristics.....	10
8.1 Operation with frequency inverter - three phase motors.....	10
8.1.1 Influence of the Inverter on the Temperature Rise of the Motor.....	10
8.1.2 Criteria for torque reduction.....	11
8.1.3 Common mode voltages.....	11
9. Installation characteristics.....	12
10. Standard Features.....	12
10.1 W01 Rolled Steel - TEFC.....	12
10.2 W01 Rolled Steel - ODP.....	13
11. Optionals.....	14
11.1 W01 Rolled Steel - TEFC.....	14
11.2 W01 Rolled Steel - ODP.....	16
12. Electrical data.....	18
12.1 General Purpose - ODP - Standard Efficiency - Single Phase.....	18
12.2 General Purpose - ODP - Premium Efficiency - Single Phase.....	19
12.3 General Purpose - TEFC - Standard Efficiency - Single Phase.....	20
12.4 General Purpose - TEFC - Premium Efficiency - Single Phase.....	21
12.5 Jet Pump - Keyed - ODP - Standard Efficiency - Single Phase.....	21
12.6 Jet Pump - Keyed - ODP - Premium Efficiency - Single Phase.....	22
12.7 Jet Pump - Keyed - TEFC - Standard Efficiency - Single Phase.....	22
12.8 Jet Pump - Keyed - TEFC - Premium Efficiency - Single Phase.....	23
12.9 Jet Pump - Threaded - ODP - Standard Efficiency - Single Phase.....	23
12.10 Jet Pump - Threaded - ODP - Premium Efficiency - Single Phase.....	24
12.11 Jet Pump - Threaded - TEFC - Standard Efficiency - Single Phase.....	25
12.12 Jet Pump - Threaded - TEFC - Premium Efficiency - Single Phase.....	25
12.13 General Purpose - ODP - Standard Efficiency - Three Phase.....	26
12.14 General Purpose - ODP - Premium Efficiency - Three Phase.....	28
12.15 General Purpose - TEFC - Standard Efficiency - Three Phase.....	29
12.16 General Purpose - TEFC - Premium Efficiency - Three Phase.....	30
12.17 Jet Pump - Keyed - ODP - Standard Efficiency - Three Phase.....	31
12.18 Jet Pump - Keyed - ODP - Premium Efficiency - Three Phase.....	32
12.19 Jet Pump - Keyed - TEFC - Standard Efficiency - Three Phase.....	33
12.20 Jet Pump - Threaded - ODP - Standard Efficiency - Three Phase.....	34
12.21 Jet Pump - Threaded - ODP - Premium Efficiency - Three Phase.....	34
12.22 Jet Pump - Threaded - TEFC - Standard Efficiency - Three Phase.....	35
12.23 Jet Pump - Threaded - TEFC - Premium Efficiency - Three Phase.....	35
13. Mechanical data.....	36
13.1 ODP - General Purpose.....	36
13.2 TEFC - General Purpose.....	36
13.3 Flanges.....	36
13.4 Jet Pump Keyed.....	38
13.5 Jet Pump Threaded.....	38
14. Drip cover.....	39
15. Packaging.....	39

1. Standards

The W01 Rolled Steel motors meet the requirements and regulations of the current versions of the following standards:

Standard	Title
NEMA MG 1	Motor and Generators
UL 1004-1	Rotating Electrical Machines – General Requirements
CSA C22.2 No 100	Motor and Generators
CSA C390	Test Methods, Marking Requirements and Energy Efficiency Levels for Three-Phase Induction Motors
IEEE STD 112	IEEE Standard Test Procedure for Polyphase Induction Motors and Generators
UL 1004-3	Thermally Protected Motors

Table 3 – Standards observed in the motor design.



Figure 1 – Motor with 56 feet (left) and 56H feet (right)

2. Construction Details

The information contained herein refers to the standard mounting features and the most common variants of the W01 Rolled Steel line.

Motors for special applications and/or customized are also available upon request. Please, contact the nearest WEG office.

2.1 Frame

Produced in steel plate SAE 1010, the frames of the W01 FHP Rolled Steel motors are covered with a new nano-ceramic coating as standard.

2.1.1 Feet

56 frames are available in two different feet designs. The use of one or the other changes the frame identification, being 56 used for the standard 56 feet and 56H used for motors with the double punched feet. The 56H feet has the same dimensions of a 143/5T feet.

The table below shows the standard feet size for 56 frame motors:

2.2 Grounding terminals

Speed (RPM)	HP	Feet size
3600	0.25	56
	0.33	
	0.5	
	0.75	
	1.0	
	1.5	56H
	2.0	
1800	0.25	56
	0.33	
	0.5	
	0.75	
	1.0	56H
	1.5	
	2.0	
1200	0.25	56
	0.33	
	0.5	56H
	0.75	
	1.0	

Table 4 – Feet sizes for frame 56.

The W01 Rolled Steel motors are fitted with grounding terminal inside the terminal box (see Figure 2 and 3). As standard, for W01 FHP Rolled Steel motors, the grounding terminal is a green bolt.



Figure 2 – Detail of the grounding terminal for TEFC motors

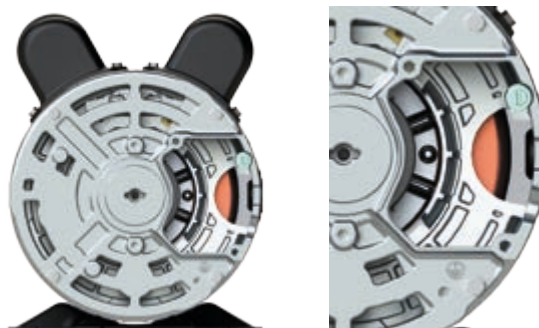


Figure 3 – Detail of the grounding terminal for ODP motors

2.3 Shaft Grounding device - AEGIS® SGR for three-phase motors

W01 Rolled Steel motors can optionally be supplied with an AEGIS® grounding brush (see Figure 4) installed on internal bearing cap, which prevents, when operated with VFDs, the discharge of electric current from the rotor to the motor frame through the bearings avoiding its premature wear.



Figure 4 – AEGIS grounding brush installed on the bearing cap.

2.4 Terminal box

Manufactured in die cast aluminum SAE 305, the terminal box have internal usable volume exceeding the requirements of NEMA MG-1 and designed so it can be rotated in steps of 90°, allowing more flexibility for leads inlet positioning in a standard stock product. The ingress protection exceeds IP55 grade and following the W22 products, the terminal box is diagonally split for easier handling of leads and connections. As standard, the leads inlet is non-threaded, allowing the use of cable glands or clamp connectors from different gauges, metric and standard. Threaded inlets and additional inlets are also available upon request.



Figure 5 – Terminal box components.

Note:

For ODP 56 frame motors, the terminal box is integrated to the NDE endshield (see figure 6). Compared to the previous motor version, the internal volume and opening are also oversized, making the cable connections easier. The cable inlet is a hole stamped on the frame shell, suitable for both NPT and NPS ½” cable glands.



Figure 6 – ODP 56 frame terminal box.

2.5 Terminal Board

As optional, ODP motors may be supplied with a terminal board for faster and safer cable connexion. The terminal board is assembled inside the terminal box located on the NDE endshield.



Figure 7 – Terminal board

2.6 Switch and Centrifugal Switch

The starting system of the single-phase motors were completely redesigned to improve its functionality increasing the system reliability and lifespan. The concept of the switch with its reduced size avoids the strain of the component while the centrifugal switch ensures its opening in precise speed.



Figure 8 – Switch (left) and Centrifugal Switch (right)

2.7 Stator winding

The stator windings of the W01 Rolled Steel motors are supplied with class F insulation and temperature rise class B (80 K). Other combinations can be provided upon request.

2.8 Endshields and Flanges

In accordance with market trends, the W01 FHP Rolled Steel platform endshields and flanges FC-149 are produced in die cast aluminum SAE 305, providing great mechanical strength, lightweight and corrosion resistance. Flanges type FC-95 are produced in cast iron FC-200.

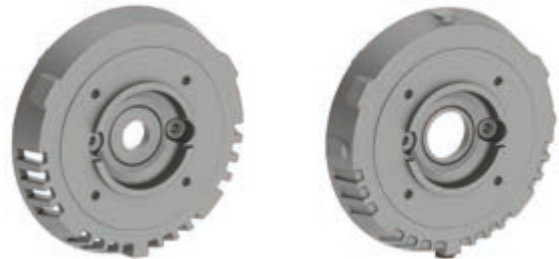


Figure 9 – ODP flange (left) and TEFC flange (right).

2.9 Drains

The TEFC Rolled Steel motors have drains which avoid the accumulation of condensed liquids or their ingress into the motor. Consequently these devices prevent corrosion or damage to the internal parts of the motor. As standard, the drains are plugs made of rubber and assembled in the frames or flanges, depending on configurations.



Figure 10 – Closed drain position (detail).

Note:

The drains are factory assembled in closed position (see Figure 10) as standard and must be opened periodically to remove condensed water. In environments with high condensation, IP55 motors can be assembled with drains in opened position (see Figure 11). However, for IP56 motors, the drains must be kept closed, just opening it during maintenance.

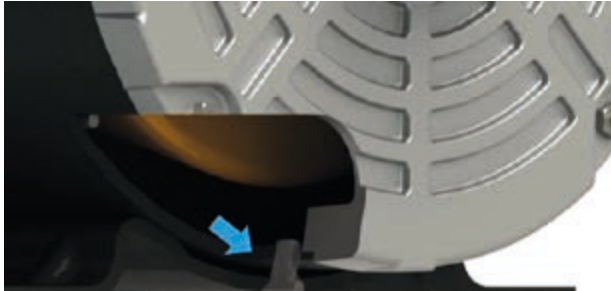


Figure 11 – Opened drain position (detail)

2.10 Ventilation System

The motors of the W01 Rolled Steel line comply with the specification of Totally Enclosed Fan Cooled (TEFC IC-411) or Open Drip Proof (ODP IC-01) according to NEMA MG-1 Part 6 standard.

Upon request, WEG can supply non-ventilated (TENV) and Air Over (TEAO) versions.

The ODP motors have internal radial fans composed by the aluminum fins on the rotor and internal baffles to guide the airflow. The air flows from outside through the endshields inlets going expelled by the frame outlets.

On the TEFC motors, an external radial fan made of polypropylene is mounted on the NDE shaft and protected by the fan cover. Both, ODP and TEFC ventilation system, were developed with computational fluid dynamics softwares and validated with prototypes in order to optimize the airflow through the frame and coil heads, reducing noise level and the power losses with ventilation, while at the same time improving heat transfer.

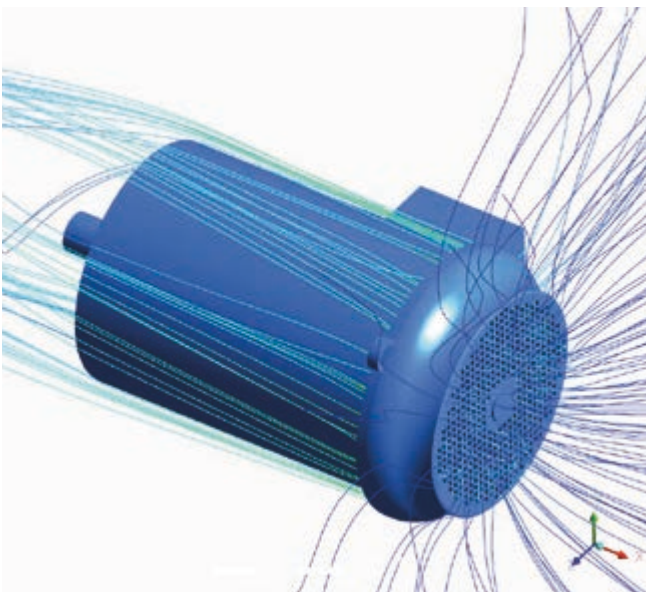


Figure 12 – Demonstration of the airflow.

2.11 Fan cover

The fan covers are built in hi-impact grade ABS plastic, which ensures rigidity in accordance with UL 1004-1 of 6,8J, also providing painting adherence without any surface treatment, making it perfect for customers whom want to repaint the motor in the application.

The new fan cover is also ready for easy addition of a drip cover without any disassembly operation. Just screw tight the drip cover kit rods in the holes shown in the figure below.

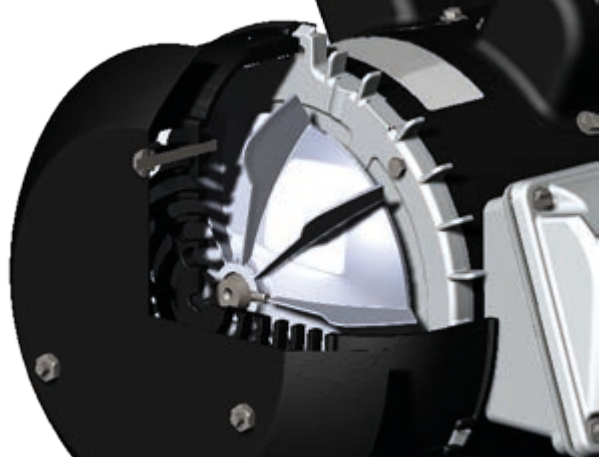


Figure 13 – Fan cover and drip cover (detail).

2.11 Nameplate

The nameplates are made of polyester and contain information describing the mounting features and motor performance. In addition, it also informs the motor manufacturing date. Figure 14 shows the layout of the nameplate on the W01 Rolled Steel motor.

WEG		NEMA Premium		C US 1		CE		UL		E104590	
MADE IN BRAZIL		CC029A		Energy Verified							
3 MAT:12502647		W01 TE0IC0X0N0000301178									
2 08OUT15		S/N:									
4 PH 3		FR 254/6T 10		HP(kW) 15.0(11.0)		Hz 60		6			
7 V 208-230/460		RPM 1770		8							
9 A 40.3-36.4/18.2		SF 1.15 16		1.00 SF @ 208V							
18 SFA 40.3-41.9/20.9		ENCL TEFC13		DES B11		IP55		12			
CODE H15		DUTY CONT. 20		INS CL F ΔT 8017K		AMB 40°C		14			
ALT 1000 m.a.s.l.		NEMA NOM.EFF. 92.4 %21		PF 0.82		19					
ALTERNATE RATING: 15HP		50Hz 190-220 / 380-415V		SF1.00		22		24			
		43.8-21.9 / 38.9-20.6A		1455 RPM		EFF 89.9% (IE2)					
5		23		T10-T11-T12		T1-BLU		T2-WHT			
LOW VOLTAGE		HIGH VOLTAGE		T4-T5-T6		T3-ORG		T4-YEL			
T7-T8-T9		T1-T2-T3		T7-PNK		T8-RED					
ΔΔ L1 L2 L3		Δ L1 L2 L3		T9-BRK RED		T10-CURRY					
				T11-GRN		T12-VLT					
INTERCHANGE ANY TWO LINE WIRES TO REVERSE THE ROTATION											
Inverter Duty Motor For use on VPWM VFD 1000:1VT 4:1 CT											
DE:6309-Z-C3		ODE:6208-Z-C3		MOBIL POLYREX EM		20000h					
WARNING: Motor must be grounded in accordance with local and national electrical codes to prevent serious electrical shocks. Disconnect power source before servicing unit.											
AVERTISSEMENT: Le moteur doit être mis à la terre conformément aux codes électriques locaux et nationaux afin d'éviter tout choc électrique grave. Déconnectez l'alimentation avant l'entretien de la machine.											

Figure 14- Nameplate.

1	Certifications
2	Manufacturing date
3	Internal Motor Code
4	Number of phases
5	Output
6	Frequency
7	Rated voltage
8	Speed
9	Rated current
10	Frame model
11	Design code
12	Degree of protection
13	Enclosure type
14	Ambient temperature
15	Starting current code
16	Service factor
17	Insulation class
18	Service factor current
19	Power factor
20	Duty cycle
21	Efficiency
22	Duty factor at specific voltage
23	Wiring diagram
24	Alternative rating data

Table 5 – Description of the data on the motor nameplate.

3. Shaft/Bearings/Stresses

3.1 Shaft

The shafts of the W01 Rolled Steel motors comply with NEMA MG 1 and undergo several numerical analyses until reaching the final dimensioning. Among the evaluation steps are: calculation of fatigue with consideration of stress concentration, torsion, bending and traction-compression efforts, stress and deformation, torsional and modal analysis.

The standard shaft material is AISI 1040/45 steel, and with an A type key provided. WEG can also provide motors with double-end shaft with special dimensions, and shafts made of AISI 4140 and the stainless steel grades AISI 304 or AISI 316 for highly corrosive environments, all upon request. The dimensions for the shaft and key can be found in section 13. Mechanical data.

3.2 Bearings

The standard on W01 FHP Rolled Steel motors are double shielded ball bearings (ZZ type) lubricated with Mobil Polirex EM grease for its entire lifetime. By default, the bearings are grease lubricated and have L10h minimum useful life of 26,280 hours, for conditions and loads defined by NEMA MG 1 – part 14.42. The bearing lifetime depends on the type and size of the bearing, radial and axial loads they are subject to, the operating conditions (ambient temperature), the speed and grease life. Thus, its lifetime is closely related to its correct use. The standard ball bearing sizes can be found in section 10. Construction Features.

Note:

The bearing lifetime L10h, in terms of operating hour, is the life that 90% of bearings reached or even exceeded when the motors are operated in compliance with the data provided in this catalog. The bearings lifetime can be reduced when the motors are fed by frequency inverters and operate at non-nominal high speed.

3.2.1 Bearing Caps

For compensation of axial displacements, the motors have spring washers as standard on the NDE endshield. Also, all motors with flange have a locked DE bearing by an internal bearing cap. Upon request, the bearing cap can be supplied as optional for all other mounting configurations.

The bearing cap have an “U” format (see Figure 15) that allows easy installation in the field without the expense of removing the DE bearing in case where addition of flange is required on standard motors.



Figure 15 – “U” format bearing cap to fix DE bearing

Table 6 lists the materials of the bearing caps used in the W01 Rolled Steel motors.

Frame	DE Bearings	Material
48-56	6203 / 6204 / 6205	Aluminum SAE 305

Table 6– Bearing cap specification.

4. Mounting

The standard motors are supplied in the F1 mounting, flanged and footless options available, with the terminal box on the left side of the frame, when looking at the drive end of the motor. The mounting designation for the W01 Rolled Steel motors follows the NEMA MG-1 Part 4 standard. Different mounting forms can be provided, as shown in Table 7.

Floor mountings			
Assembly F-1	Assembly F-2	Assembly F-3	
Wall mountings			
Assembly W-1	Assembly W-2	Assembly W-3	Assembly W-4
Assembly W-5	Assembly W-6	Assembly W-7	Assembly W-8
Assembly W-9	Assembly W-10	Assembly W-11	Assembly W-12
Ceiling mountings			
Assembly C-1	Assembly C-2	Assembly C-3	

Table 7 – Mounting forms.

5. Protection degree / Seal / Coating

5.1 Protection degree

The W01 Rolled Steel motors are provided with protection as specified by NEMA MG-1 Part 5 standard.

For the TEFC motors, the standard degree of protection is IP55, where:

- The first numeral 5 indicates that the enclosure provides protection against contact or approach to live or moving parts inside the enclosure. The ingress of dust is not totally prevented, but dust does not enter in quantity enough to interfere with the satisfactory operation of the machine.
- The second numeral 5 indicates that the motor is protected against water thrown by a nozzle from any direction and it cannot have harmful effect.

For the ODP motors, the degree of protection is IP21, where:

- The first numeral 2 indicates that the enclosure provides protection against contact or approach to live or moving parts inside the enclosure by fingers or solid objects greater than Ø 0.4724in.
- The second numeral 1 indicates that the motor is protected against vertically falling dripping water.

5.2 Bearing Sealing

The standard seal used on the DE endshield of the TEFC motors are "V" Ring made of nitrile rubber (ASTM D2000 M2BG 610). Optionally, the motors can be supplied with slinger, rubber lip seal or rubber oil seal.

Note:

For vertical mounting motors with shaft end to upwards, motors are supplied with slinger, in addition to the standard seal.

5.3 Coating

For W01 FHP Rolled Steel motors just the steel parts are coated, as standard, overcoming 500 hours on salt spray test. Some others painting plans are available upon request.

6. Voltage / Frequency

According to NEMA MG 1 Part 12, the motor shall operate successfully under running conditions at rated load with a variation in the voltage or the frequency up to the following:

- Plus or minus 10 percent of rated voltage, at rated frequency.
- Plus or minus 5 percent of rated frequency, at rated voltage.
- A combined variation in voltage and frequency of 10 percent (sum of absolute values) of the rated values, provided the frequency variation does not exceed plus or minus 5 percent of rated frequency.

Performance within these voltage and frequency variations will not necessarily be in accordance with the standards established for operation at rated voltage and frequency.

7. Environment

According to NEMA MG 1 Part 14 standard, the normal operating conditions of electric motors are:

- Ambient temperature between -20°C and 40°C;
- Altitude not exceeding 3300 feet (1000 m) above sea level.

For temperatures and altitudes other than those indicated above, use Table 8 to find the correction factor that must be used to define the available useful output power.

T (°C)	Altitude (m)								
	1000	1500	2000	2500	3000	3500	4000	4500	5000
10							0,97	0,92	0,88
15						0,98	0,94	0,90	0,86
20					1,00	0,95	0,91	0,87	0,83
25				1,00	0,95	0,93	0,89	0,85	0,81
30			1,00	0,96	0,92	0,90	0,86	0,82	0,78
35		1,00	0,95	0,93	0,90	0,88	0,84	0,80	0,75
40	1,00	0,97	0,94	0,90	0,86	0,82	0,80	0,76	0,71
45	0,95	0,92	0,90	0,88	0,85	0,81	0,78	0,74	0,69
50	0,92	0,90	0,87	0,85	0,82	0,80	0,77	0,72	0,67
55	0,88	0,85	0,83	0,81	0,78	0,76	0,73	0,70	0,65
60	0,83	0,82	0,80	0,77	0,75	0,73	0,70	0,67	0,62
65	0,79	0,76	0,74	0,72	0,70	0,68	0,66	0,62	0,58
70	0,74	0,71	0,69	0,67	0,66	0,64	0,62	0,58	0,53
75	0,70	0,68	0,66	0,64	0,62	0,60	0,58	0,53	0,49
80	0,65	0,64	0,62	0,60	0,58	0,56	0,55	0,48	0,44

Table 8 - Correction factors considering altitude and ambient temperature.

Notes:

Motor for special applications which will operate in temperatures under -20°C or over 40°C can be evaluated upon request.

8. Operation characteristics

During installation and any intervention on the machine, all recommendations for handling, lifting and maintenance must be observed.

8.1 Three-phase motors operating with frequency inverter

The W01 Rolled Steel motors have a design suitable for applications with variable speed. The exclusive insulation technology WISE® ensures high electrical insulation performance. The Table 9 defines the criteria for frequency inverter applications.

Voltage	Peak voltage on motor terminals	dV/dt* on motor terminals	Rise time*	Time between pulses
V < 460 V	≤ 1600 V	≤ 5200 V/μs	≥ 0.1 μs	≥ 6 μs
460 ≤ V < 575 V	≤ 2000 V	≤ 6500 V/μs		
575 ≤ V ≤ 1000	≤ 2400 V	≤ 7800 V/μs		

*According NEMA MG 1 – part 30

Table 9 – Frequency inverter application criteria for low voltage motors.

Notes:

- 1 - If any of the conditions listed in Table 9 is not met a filter must be installed at the inverter output.
- 2 - The maximum switching frequency recommended for the inverter is 5 kHz. Switching frequencies above this value can accelerate the degradation of the insulation system and cause damage to the bearings.
- 3 - General purpose motors with rated voltage greater than 460V and for which there was no indication of operation with frequency inverter at the purchase are suitable to handle the electrical features defined to the 575V. If such conditions are not fully met, filters must be installed at the inverter output.
- 4 - General purpose dual voltage motors (i.e. 380/660V and 400/690V) and for which there was no indication of operation with frequency inverter at the purchase, are suitable to handle the electrical features defined to higher voltage only if the defined limits to 460V were fully met. Otherwise, filters must be installed at the inverter output.

8.1.1 Influence of the Inverter on the Temperature Rise of the Motor

The induction motor may present a higher temperature increase when fed by a frequency inverter than when fed with sine wave voltage. This overrise in temperature is due to the combination of two factors: the increase of losses on the motor as a function of the harmonic components of the PWM voltage supplied by the inverter, and the reduction of the effectiveness of the cooling system when the self-ventilated motor operates at low frequencies. Basically the following solutions can be used to prevent the overheating of the motor:

- Reduction of the rated torque
- Use of an independent cooling system (forced ventilation)
- Use of the exclusive “Optimal Flow” WEG solution.

8.1.2 Criteria for torque reduction

In order to maintain the temperature of the motors within acceptable levels when under VSD supply, the speed range related loadability limits established in the table below must be respected.

Frames	Enclosure	Eff	Pole	Turndown Ratio		
				CT		VT
				<1HP	≥1HP	
56	TEFC	Std	2-4	10:1	5:1	1000:1
		Premium	2-4	10:1	5:1	
	ODP	Std	2-4	4:1	2:1	
		Premium	2	5:1	3:1	
		4	5:1	5:1		

Table 10 – Criteria for torque reduction

For more detailed information on motors operated with frequency inverter, refer to the Technical Guide - Induction motors fed by PWM frequency inverters, which can be found at <http://catalog.weg.net/files/wegnet/WEGinduction-motors-fed-by-pwm-frequency-converterstechnical-guide-028-technical-article-english.pdf>

8.1.3 Common mode voltages

The common mode voltages occur when the sum of the voltages at the inverter output is different from zero. They are the main reason why currents flow through the motor bearings driven by static inverter. Although not frequent on small motors, poorly made installations increase odds of its presence. These currents may cause premature wear in the rolling elements and ball bearing races, reducing the lifetime of the bearings and causing machine faults. W01 Rolled Steel motors may be prepared to avoid the flow of this currents, upon request (see item 2.3 Shaft Grounding device - AEGIS® SGR for three-phase motors).

9. Installation characteristics

A minimum distance between fan cover and wall must be taken into account when dimensioning the installations for the W01 Rolled Steel motors (see Figure 16 and minimum distance for W dimension in Table 11).

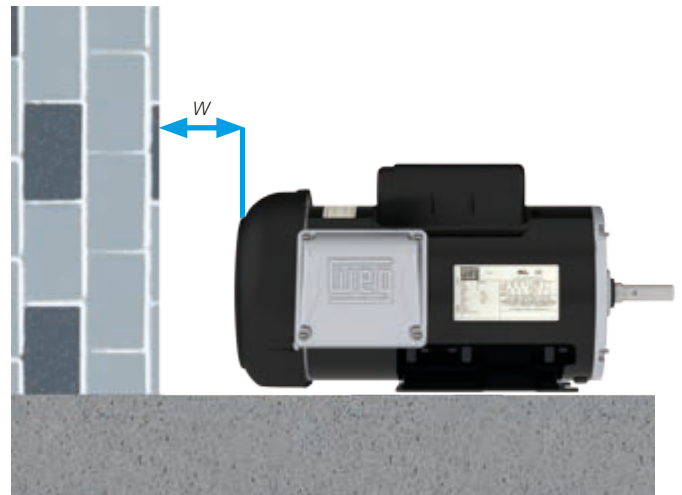


Figure 16 – Distance between fan cover and wall.

Frame	W (inch)
48 - 56	1.3

Table 11 – Minimum distance between fan cover and wall

10. Standard Features

10.1 W01 Rolled Steel - TEFC

Frame		48	W56	56	56H
Mechanical Features					
Nameplate Marking		CSA, cULus			
Mounting		F-1/B3R(D)			
Frame	Material	Steel plate			
Degree of Protection		IP55			
Grounding		Terminal box			
Cooling method		Totally enclosed fan cooled - TEFC			
Fan	Material	Plastic			
Fan cover	Material	Hi-impact grade ABS			
Endshields	Material	Aluminium			
Flange	Material	FC-149 Aluminum / FC-95 Cast Iron			
Drain plug		Automatic rubber drain plug			
Bearing	Shielded/clearance DE	ZZ / Normal			
	Shielded/clearance NDE	ZZ / Normal			
	Locating bearing	W/O Lock on DE and spring washer on NDE			
	Drive end	6203	6203	6303 up to 3/4HP 6204 from 1 up to 3HP and flange FC-95	
	Non-drive end	6202	6202	6202	6202
Bearing seal	Drive end	V-ring			
	Non-drive end	W/O			
Joint seal		W/O			
Lubrication	Type of grease	Mobil Polyrex EM			
	Grease fitting	W/O			
Terminal block		W/O			
Terminal box	Material	Aluminium			
Additional Terminal box		W/O Additional Terminal Box			
Lead inlet	Main	Size	1 hole ø22.4 (for NPT/NPS 1/2")		
	Accessories		W/O		
	Plug		Stopping plug		
Shaft	Material	AISI 1040/45			
	Threaded hole	A3.15			
	Shaft key	Flat key	A key		
Vibration level (IEC)		Grade A			
Nameplate	Material	Mylar nameplate			
Painting	Painting plan	W/O			
Eye bolt		W/O			
Electrical Features					
Design	3ph		A		
	1ph		up to 1/3HP Design N / 1/2HP and above Design L		
Voltage	60Hz	3ph	208-230/460V w/ 9 term		
		1ph	115/208-230V		
Winding	Impregnation		Dip and Bake		
	Insulation class		F (DT 80K)		
	Leads		Color coded lead CSA/UL		
	Terminal Leads		Without terminal (Stripped wire)		
Service factor	60Hz		1.15 (@208V - 1.0)		
Rotor		Aluminium die cast			
Thermal protection		W/O			
Space heaters		W/O			

10.2 W01 Rolled Steel – ODP

Frame		48	W56	56	56H
Mechanical Features					
Nameplate Marking		CSA, cULus			
Mounting		F-1/B3R(D)			
Frame	Material	Rolled Steel			
Degree of Protection		IP21			
Grounding		Terminal box			
Cooling method		ODP			
Fan	Material	W/O			
Internal air baffle		Plastic (Nylon)			
Endshields	Material	Aluminum			
Flange	Material	FC-149 Aluminum / FC-95 Cast Iron			
Drain plug		W/O			
Bearing	Shielded/clearance DE	ZZ / Normal			
	Shielded/clearance NDE	ZZ / Normal			
	Locating bearing	W/O Lock on DE and spring washer on NDE			
	Drive end	6203	6203	6203 up to 3/4HP 6204 - 1HP to 3HP and FC-95	6203 up to 3/4HP 6204 - 1HP to 3HP and FC-95
	Non-drive end	6202	6202	6202	6202
Bearing seal	Drive end	W/O			
	Non-drive end	W/O			
Joint seal		W/O			
Lubrication	Type of grease	Mobil Polyrex EM			
	Grease fitting	W/O			
Terminal block		W/O			
Terminal box	Material	W/O			
Additional Terminal box		W/O Additional Terminal Box			
Lead inlet	Main	Size	NPT/NPS 1/2"		
	Accessories		W/O		
	Plug		Stopping plug		
Shaft	Material	SAE 1040/45			
	Center hole	A3.15			
	Shaft key	Flat key	A key		
Balancing without/half/full key		A Grade			
Nameplate	Material	Mylar nameplate			
Painting	Painting plan	W/O			
Eye bolt		W/O			
Electrical Features					
Design	3ph		A		
	1ph		up to 1/3HP Design N / 1/2HP and above Design L		
Voltage	60 Hz	Std, Premium Eff	208-230/460V w/ 9 term		
		Std, Premium Eff - Single	115/208-230V		
Winding	Impregnation		Dip and Bake		
	Insulation class		F (DT 80K)		
	Leads		Color coded lead CSA/UL		
	Terminal Leads		Without terminal (Stripped wire)		
Rotor		Aluminium die cast			
Thermal protection		W/O			
Space heaters		W/O			

11. Optionals

11.1 W01 Rolled Steel - TEFC

Features	General Purpose							
	Single phase				Three phase			
	48	W56	56	56H	48	W56	56	56H
Electrical Optionals								
Service factor (60Hz)								
Service factor 1.15	STD	STD	STD	STD	STD	STD	STD	STD
Service factor 1.25	S	S	S	S	S	S	S	S
Voltage (60 Hz)								
208-230/460V - 9 leads	NA	NA	NA	NA	STD	STD	STD	STD
208-230/460V - 12 leads	NA	NA	NA	NA	NA	NA	NA	NA
575V - 3 leads	NA	NA	NA	NA	O	O	O	O
575V - 6 leads	NA	NA	NA	NA	O	O	O	O
230/460V - 9 leads	NA	NA	NA	NA	O	O	O	O
230/460V - 12 leads	NA	NA	NA	NA	NA	NA	NA	NA
200V - 6 leads	NA	NA	NA	NA	O	O	O	O
200/400V - 9 leads	NA	NA	NA	NA	O	O	O	O
200/400V - 12 leads	NA	NA	NA	NA	NA	NA	NA	NA
480V - 3 leads	NA	NA	NA	NA	O	O	O	O
480V - 6 leads	NA	NA	NA	NA	O	O	O	O
100/200V	O	O	O	O	NA	NA	NA	NA
110/220V	O	O	O	O	NA	NA	NA	NA
115/208-230V	STD	STD	STD	STD	NA	NA	NA	NA
208-230V/460V	O	O	O	O	NA	NA	NA	NA
115/230V	O	O	O	O	NA	NA	NA	NA
120/240V	O	O	O	O	NA	NA	NA	NA
208-230V	O	O	O	O	NA	NA	NA	NA
220V	O	O	O	O	NA	NA	NA	NA
230V	O	O	O	O	NA	NA	NA	NA
Insulation class								
F DT 80K	STD	STD	STD	STD	STD	STD	STD	STD
F DT 105K	O	O	O	O	O	O	O	O
H DT 80K	S	S	S	S	S	S	S	S
H DT 105K	S	S	S	S	S	S	S	S
H DT 125K	S	S	S	S	S	S	S	S
F DT B	S	S	S	S	S	S	S	S
F DT F	S	S	S	S	S	S	S	S
H DT B	S	S	S	S	S	S	S	S
H DT F	S	S	S	S	S	S	S	S
H DT H	S	S	S	S	S	S	S	S
Space Heater								
110-127 V	O	O	O	O	O	O	O	O
200-240 V	O	O	O	O	O	O	O	O
Winding thermal protection								
Manual	S	S	S	S	S	S	S	S
Automatic	S	S	S	S	S	S	S	S
Bimetal thermal protector - 130°C Alarm	O	O	O	O	O	O	O	O
Bimetal thermal protector - 155°C Alarm	O	O	O	O	O	O	O	O
PTC Thermistor - 130°C - Alarm	O	O	O	O	O	O	O	O
PTC Thermistor - 155°C - Alarm	O	O	O	O	O	O	O	O
Bimetal thermal protector - 130°C Tripping	O	O	O	O	O	O	O	O
Bimetal thermal protector - 155°C Tripping	O	O	O	O	O	O	O	O
Bimetal thermal protector - 180°C Tripping	S	S	S	S	S	S	S	S
PTC Thermistor - 130°C - Tripping	O	O	O	O	O	O	O	O
PTC Thermistor - 155°C - Tripping	O	O	O	O	O	O	O	O
PTC Thermistor - 180°C - Tripping	S	S	S	S	S	S	S	S
Termocouple - Tripping	S	S	S	S	S	S	S	S

Notes: Other optional features, on request.
Some combinations of optional features are not possible - please contact WEG.

STD – Standard S – Special
O – Optional NA – Not Available

Features	General Purpose							
	Single phase				Three phase			
	48	W56	56	56H	48	W56	56	56H
Mechanical Optionals								
Flange								
Flange FF (IEC) or D (NEMA)	NA	NA	NA	NA	NA	NA	NA	NA
Flange C	0	0	0	0	0	0	0	0
Inferior C Flange	0	0	0	0	0	0	0	0
Without flange	STD	STD	STD	STD	STD	STD	STD	STD
Drip cover								
Drip cover	0	0	0	0	0	0	0	0
Degree of protection								
IP44	0	0	0	0	0	0	0	0
IP55	STD	STD	STD	STD	STD	STD	STD	STD
IP56	0	0	0	0	0	0	0	0
Bearing Seal								
V'RING	STD	STD	STD	STD	STD	STD	STD	STD
Nitrilic rubber lip seal	0	0	0	0	0	0	0	0
Nitrilic rubber oil seal	0	0	0	0	0	0	0	0
Painting Plan								
Without painting	STD	STD	STD	STD	STD	STD	STD	STD
207N	0	0	0	0	0	0	0	0
205E	S	S	S	S	S	S	S	S
205P	S	S	S	S	S	S	S	S
Grounding								
Inside terminal box	STD	STD	STD	STD	STD	STD	STD	STD
Shaft Grounding								
AEGIS ring	NA	NA	NA	NA	0	0	0	0
Bearings Type (Ball Bearing)								
2RS	0	0	0	0	0	0	0	0
ZZ	STD	STD	STD	STD	STD	STD	STD	STD
ZZ-C3	0	0	0	0	0	0	0	0
Bearing cap								
Bearing cap	0	0	0	0	0	0	0	0
Shaft Material								
SAE 1040/45	STD	STD	STD	STD	STD	STD	STD	STD
SAE 4140	0	0	0	0	0	0	0	0
AISI 304 (stainless steel)	0	0	0	0	0	0	0	0
AISI 316 (stainless steel)	0	0	0	0	0	0	0	0
AISI 420 (stainless steel)	S	S	S	S	S	S	S	S
Key								
A Key	STD	STD	STD	STD	STD	STD	STD	STD
B Key	S	S	S	S	S	S	S	S
Shaft								
Second Shaft End	S	S	S	S	S	S	S	S
Threaded center hole (shaft)	0	0	0	0	0	0	0	0
Cooling Method								
TEFC (fan cooled)	STD	STD	STD	STD	STD	STD	STD	STD
TEAO (air over)	S	S	S	S	S	S	S	S
TENV (non ventilated)	S	S	S	S	S	S	S	S
Vibration Level								
Grade A	STD	STD	STD	STD	STD	STD	STD	STD
Grade B	0	0	0	0	0	0	0	0
Balance Type								
Without balance (2 poles)	STD	STD	NA	NA	STD	STD	NA	NA
Normal balance with 1/2 key	0	0	STD	STD	0	0	STD	STD
Normal balance without key	0	0	0	0	0	0	0	0
Normal balance with full key	0	0	0	0	0	0	0	0
Reduced balance with 1/2 key	0	0	0	0	0	0	0	0
Reduced balance without key	0	0	0	0	0	0	0	0
Reduced balance with full key	0	0	0	0	0	0	0	0
Terminal Box Optionals								
Cable Gland								
Plastic	0	0	0	0	0	0	0	0

11.2 W01 Rolled Steel – ODP

Features	General Purpose							
	Single phase				Three phase			
	48	W56	56	56H	48	W56	56	56H
Electrical Optionals								
Voltage (60 Hz)								
208-230/460V - 9 leads	NA	NA	NA	NA	STD	STD	STD	STD
208-230/460V - 12 leads	NA	NA	NA	NA	NA	NA	NA	NA
575V - 3 leads	NA	NA	NA	NA	0	0	0	0
575V - 6 leads	NA	NA	NA	NA	0	0	0	0
230/460V - 9 leads	NA	NA	NA	NA	0	0	0	0
230/460V - 12 leads	NA	NA	NA	NA	NA	NA	NA	NA
200V - 6 leads	NA	NA	NA	NA	0	0	0	0
200/400V - 9 leads	NA	NA	NA	NA	0	0	0	0
200/400V - 12 leads	NA	NA	NA	NA	NA	NA	NA	NA
480V - 3 leads	NA	NA	NA	NA	0	0	0	0
480V - 6 leads	NA	NA	NA	NA	0	0	0	0
100/200V	0	0	0	0	NA	NA	NA	NA
110/220V	0	0	0	0	NA	NA	NA	NA
115/208-230V	STD	STD	STD	STD	NA	NA	NA	NA
208-230V/460V	0	0	0	0	NA	NA	NA	NA
115/230V	0	0	0	0	NA	NA	NA	NA
120/240V	0	0	0	0	NA	NA	NA	NA
208-230V	0	0	0	0	NA	NA	NA	NA
220V	0	0	0	0	NA	NA	NA	NA
230V	0	0	0	0	NA	NA	NA	NA
Class of Insulation								
F DT 80K	STD	STD	STD	STD	STD	STD	STD	STD
F DT 105K	0	0	0	0	0	0	0	0
H DT 80K	S	S	S	S	S	S	S	S
H DT 105K	S	S	S	S	S	S	S	S
H DT 125K	S	S	S	S	S	S	S	S
F DT B	S	S	S	S	S	S	S	S
F DT F	S	S	S	S	S	S	S	S
H DT B	S	S	S	S	S	S	S	S
H DT F	S	S	S	S	S	S	S	S
H DT H	S	S	S	S	S	S	S	S
Space Heater								
110-127 V	0	0	0	0	0	0	0	0
200-240 V	0	0	0	0	0	0	0	0
Winding thermal protection								
Manual	0	0	0	0	S	S	S	S
Automatic	0	0	0	0	S	S	S	S
Bimetal thermal protector - 130°C Alarm	0	0	0	0	0	0	0	0
Bimetal thermal protector - 155°C Alarm	0	0	0	0	0	0	0	0
PTC Thermistor - 130°C - Alarm	0	0	0	0	0	0	0	0
PTC Thermistor - 155°C - Alarm	0	0	0	0	0	0	0	0
Bimetal thermal protector - 130°C Tripping	0	0	0	0	0	0	0	0
Bimetal thermal protector - 155°C Tripping	0	0	0	0	0	0	0	0
Bimetal thermal protector - 180°C Tripping	S	S	S	S	S	S	S	S
PTC Thermistor - 130°C - Tripping	0	0	0	0	0	0	0	0
PTC Thermistor - 155°C - Tripping	0	0	0	0	0	0	0	0
PTC Thermistor - 180°C - Tripping	S	S	S	S	S	S	S	S
Termocouple - Tripping	S	S	S	S	S	S	S	S

Notes: Other optional features, on request.

Some combinations of optional features are not possible - please contact WEG.

STD – Standard

O – Optional

S – Special

NA – Not Available

Features	General Purpose							
	Single phase				Three phase			
	48	W56	56	56H	48	W56	56	56H
Mechanical Optionals								
Flange								
Flange C	0	0	0	0	0	0	0	0
Inferior C Flange	NA	0	0	0	NA	0	0	0
Without flange	STD	STD	STD	STD	STD	STD	STD	STD
Drip cover								
Drip Cover	0	0	0	0	0	0	0	0
Seal								
Rubber Slinger	S	S	S	S	S	S	S	S
Painting Plan								
Without painting	STD	STD	STD	STD	STD	STD	STD	STD
207N	0	0	0	0	0	0	0	0
205E	S	S	S	S	S	S	S	S
205P	S	S	S	S	S	S	S	S
Shaft Grounding								
AEGIS ring	NA	NA	NA	NA	0	0	0	0
Bearings Type (Ball Berings)								
2RS	0	0	0	0	0	0	0	0
ZZ	STD	STD	STD	STD	STD	STD	STD	STD
ZZ-C3	0	0	0	0	0	0	0	0
Bearing cap								
Without bearing cap	STD	STD	STD	STD	STD	STD	STD	STD
Bearing cap	0	0	0	0	0	0	0	0
Resilient base								
With	0	0	0	0	0	0	0	0
Shaft Material								
SAE 1040/45	STD	STD	STD	STD	STD	STD	STD	STD
SAE 4140	0	0	0	0	0	0	0	0
AISI 304 (stainless steel)	0	0	0	0	0	0	0	0
AISI 316 (stainless steel)	0	0	0	0	0	0	0	0
AISI 420 (stainless steel)	S	S	S	S	S	S	S	S
Key								
A Key	S	STD	STD	STD	S	STD	STD	STD
B Key	S	S	S	S	S	S	S	S
Flat Key	STD	NA	NA	NA	STD	NA	NA	NA
Shaft								
Second Shaft End	S	S	S	S	S	S	S	S
Threaded center hole (shaft)	0	0	0	0	0	0	0	0
Balance Type								
Without balance (2 poles)	STD	NA	NA	NA	STD	NA	NA	NA
Normal balance with 1/2 key	0	STD	STD	STD	0	STD	STD	STD
Normal balance without key	0	0	0	0	0	0	0	0
Normal balance with full key	0	0	0	0	0	0	0	0
Reduced balance with 1/2 key	0	0	0	0	0	0	0	0
Reduced balance without key	0	0	0	0	0	0	0	0
Reduced balance with full key	0	0	0	0	0	0	0	0
Vibration								
Grade A	STD	STD	STD	STD	STD	STD	STD	STD
Grade B	0	0	0	0	0	0	0	0
Terminal Box Optionals								
Terminal board	0	0	0	0	NA	NA	NA	NA

12. Electrical data

12.1 General Purpose - ODP - Standard Efficiency - Single Phase

Output		Frame	Full Load Torque (ft.lb)	Locked Rotor Current		Locked Rotor Torque Tl/Tn	Break-down Torque T _b /T _n	Inertia J (sq.ft.lb)	Allowable locked rotor time (s)		Weight (lb)	Service Factor	Rated speed (rpm)	230 V						Full load current In (A)	C (in)	LC (in)	Bearings			
				HP	kW				Code	ll/In				Hot	Cold	% of full load			Power Factor				DE	NDE		
																Efficiency			Power Factor							
																50	75	100	50						75	100
II pole																										
0.12	0.09	W56	0.180	R	6.4	3.0	3.0	0.0126	18	40	14.3	1.40	3500	32.0	40.0	44.0	0.60	0.67	0.72	1.24	9.472	5.906	6203 ZZ	6202 ZZ		
0.16	0.12	W56	0.240	P	6.5	3.0	3.0	0.0126	14	31	14.3	1.35	3500	35.0	44.0	53.0	0.56	0.64	0.70	1.41	9.472	5.906	6203 ZZ	6202 ZZ		
0.25	0.18	W56	0.370	P	7.2	3.0	3.0	0.0147	10	22	15.4	1.35	3500	43.0	50.0	55.0	0.55	0.64	0.71	2.00	9.472	5.906	6203 ZZ	6202 ZZ		
0.33	0.25	W56	0.490	P	7.4	3.0	3.0	0.0190	8	18	16.1	1.35	3500	49.0	56.0	59.0	0.57	0.66	0.74	2.50	9.866	6.300	6203 ZZ	6202 ZZ		
0.5	0.37	W56	0.740	P	8.2	2.8	3.0	0.0233	6	13	18.7	1.25	3500	54.0	61.0	65.0	0.55	0.66	0.74	3.34	10.260	6.693	6203 ZZ	6202 ZZ		
0.75	0.55	W56	1.11	N	8.0	2.6	3.0	0.0273	6	13	20.9	1.25	3500	56.0	63.0	67.0	0.54	0.66	0.74	4.82	10.654	7.087	6203 ZZ	6202 ZZ		
1	0.75	56	1.48	M	6.9	2.6	2.8	0.0472	8	18	26.5	1.25	3500	60.0	65.0	68.0	0.55	0.67	0.75	6.39	11.496	7.480	6204 ZZ	6202 ZZ		
1.5	1.1	56	2.22	L	7.3	2.5	2.7	0.0589	6	13	30.9	1.15	3500	65.0	70.0	72.0	0.57	0.69	0.77	8.60	11.890	7.874	6204 ZZ	6202 ZZ		
2	1.5	56H	2.97	L	7.8	2.5	2.6	0.0748	6	13	36.4	1.15	3490	69.0	72.0	75.0	0.60	0.72	0.80	10.9	12.678	8.662	6204 ZZ	6202 ZZ		
3	2.2	56H	4.46	K	8.0	2.0	2.5	0.0864	6	13	41.2	1.15	3485	71.0	76.0	78.0	0.85	0.91	0.93	13.2	13.465	9.449	6204 ZZ	6202 ZZ		

High-Output Design

0.12	0.09	48	0.180	R	6.4	3.0	3.0	0.0126	18	40	14.3	1.40	3500	32.0	40.0	44.0	0.60	0.67	0.72	1.24	9.098	5.906	6203 ZZ	6202 ZZ
0.16	0.12	48	0.240	P	6.5	3.0	3.0	0.0126	14	31	14.3	1.35	3500	35.0	44.0	53.0	0.56	0.64	0.70	1.41	9.098	5.906	6203 ZZ	6202 ZZ
0.25	0.18	48	0.370	P	7.2	3.0	3.0	0.0147	10	22	15.4	1.35	3500	43.0	50.0	55.0	0.55	0.64	0.71	2.00	9.098	5.906	6203 ZZ	6202 ZZ
0.33	0.25	48	0.490	P	7.4	3.0	3.0	0.0190	8	18	16.1	1.35	3500	49.0	56.0	59.0	0.57	0.66	0.74	2.50	9.492	6.300	6203 ZZ	6202 ZZ
0.5	0.37	48	0.740	P	8.2	2.8	3.0	0.0233	6	13	18.7	1.25	3500	54.0	61.0	65.0	0.55	0.66	0.74	3.34	9.886	6.693	6203 ZZ	6202 ZZ
0.75	0.55	48	1.11	N	8.0	2.6	3.0	0.0273	6	13	20.9	1.25	3500	56.0	63.0	67.0	0.54	0.66	0.74	4.82	10.280	7.087	6203 ZZ	6202 ZZ
2	1.5	56	2.97	L	7.8	2.5	2.6	0.0748	6	13	36.4	1.15	3490	69.0	72.0	75.0	0.60	0.72	0.80	10.9	12.677	8.661	6204 ZZ	6202 ZZ
3	2.2	56	4.46	K	8.0	2.0	2.5	0.0864	6	13	41.2	1.15	3485	71.0	76.0	78.0	0.85	0.91	0.93	13.2	13.465	9.449	6204 ZZ	6202 ZZ

IV pole

0.12	0.09	W56	0.360	P	4.8	3.3	3.1	0.0240	26	57	13.7	1.40	1740	37.0	45.0	50.0	0.41	0.48	0.55	1.42	9.472	5.906	6203 ZZ	6202 ZZ
0.16	0.12	W56	0.480	P	5.5	3.2	3.0	0.0280	16	35	14.8	1.35	1740	41.0	49.0	53.0	0.42	0.50	0.57	1.73	9.472	5.906	6203 ZZ	6202 ZZ
0.25	0.18	W56	0.750	N	5.3	3.1	2.8	0.0318	14	31	15.4	1.35	1735	46.0	54.0	57.0	0.41	0.51	0.59	2.33	9.472	5.906	6203 ZZ	6202 ZZ
0.33	0.25	W56	0.990	N	5.6	3.3	2.8	0.0399	12	26	16.8	1.35	1735	49.0	57.0	60.0	0.41	0.50	0.58	3.12	9.866	6.300	6203 ZZ	6202 ZZ
0.5	0.37	W56	1.49	M	5.8	3.2	2.7	0.0479	10	22	18.7	1.25	1735	54.0	61.0	63.0	0.43	0.53	0.62	4.12	10.260	6.693	6203 ZZ	6202 ZZ
0.75	0.55	56	2.23	M	6.5	2.8	2.7	0.0778	10	22	26.5	1.25	1745	60.0	66.0	69.0	0.46	0.57	0.66	5.25	11.496	7.480	6203 ZZ	6202 ZZ
1	0.75	56	2.97	M	6.7	2.7	2.7	0.0973	7	15	30.9	1.15	1745	43.0	68.0	71.0	0.48	0.60	0.68	6.75	11.890	7.874	6204 ZZ	6202 ZZ
1.5	1.1	56	4.45	M	6.9	2.7	2.7	0.1362	7	15	40.1	1.15	1745	66.0	72.0	73.0	0.48	0.60	0.69	9.49	13.071	9.055	6204 ZZ	6202 ZZ
1.5	1.1	56H	4.45	M	6.9	2.7	2.7	0.1362	7	15	40.1	1.15	1745	66.0	72.0	73.0	0.48	0.60	0.69	9.49	13.071	9.055	6204 ZZ	6202 ZZ
2	1.5	56H	5.96	L	7.5	2.4	2.6	0.1550	6	13	42.3	1.15	1740	70.0	75.0	78.0	0.62	0.73	0.80	10.5	13.858	9.842	6204 ZZ	6202 ZZ

High-Output Design

0.12	0.09	48	0.360	P	4.8	3.3	3.1	0.0240	26	57	13.7	1.40	1740	37.0	45.0	50.0	0.41	0.48	0.55	1.42	9.098	5.906	6203 ZZ	6202 ZZ
0.16	0.12	48	0.480	P	5.5	3.2	3.0	0.0280	16	35	14.8	1.35	1740	41.0	49.0	53.0	0.42	0.50	0.57	1.73	9.098	5.906	6203 ZZ	6202 ZZ
0.25	0.18	48	0.750	N	5.3	3.1	2.8	0.0318	14	31	15.4	1.35	1735	46.0	54.0	57.0	0.41	0.51	0.59	2.33	9.098	5.906	6203 ZZ	6202 ZZ
0.33	0.25	48	0.990	N	5.6	3.3	2.8	0.0399	12	26	16.8	1.35	1735	49.0	57.0	60.0	0.41	0.50	0.58	3.12	9.492	6.300	6203 ZZ	6202 ZZ
0.5	0.37	48	1.49	M	5.8	3.2	2.7	0.0479	10	22	18.7	1.25	1735	54.0	61.0	63.0	0.43	0.53	0.62	4.12	9.886	6.693	6203 ZZ	6202 ZZ
1.5	1.1	56	4.45	M	6.9	2.7	2.7	0.1362	7	15	40.1	1.15	1745	66.0	72.0	73.0	0.48	0.60	0.69	9.49	13.071	9.055	6204 ZZ	6202 ZZ
2	1.5	56	5.96	L	7.5	2.4	2.6	0.1550	6	13	42.3	1.15	1740	70.0	75.0	78.0	0.62	0.73	0.80	10.5	13.465	9.449	6204 ZZ	6202 ZZ

12.2 General Purpose - ODP - Premium Efficiency - Single Phase

Output		Frame	Full Load Torque (ft.lb)	Locked Rotor Current		Locked Rotor Torque Tl/Tn	Break-down Torque T _b /T _n	Inertia J (sq. ft.lb)	Allowable locked rotor time (s)		Weight (lb)	Service Factor	230 V							C (in)	LC (in)	Bearings			
				HP	kW				Code	II/In			Hot	Cold	% of full load							Full load current In (A)	DE	NDE	
															Efficiency			Power Factor							
															50	75	100	50	75						100
II pole																									
0.25	0.18	W56	0.370	M	8.8	2.8	3.1	0.0211	18	40	17.2	1.35	3510	50.0	59.0	66.6	0.91	0.93	0.94	1.25	9.866	6.300	6203 ZZ	6202 ZZ	
0.33	0.25	W56	0.490	L	8.8	2.8	3.0	0.0254	15	33	19.4	1.35	3510	56.0	64.0	70.5	0.97	0.97	0.97	1.60	10.260	6.693	6203 ZZ	6202 ZZ	
0.5	0.37	W56	0.740	L	8.8	2.7	3.0	0.0254	9	20	19.4	1.25	3510	60.0	68.0	72.4	0.90	0.93	0.94	2.40	10.260	6.693	6203 ZZ	6202 ZZ	
0.75	0.55	56	1.11	K	8.6	3.0	3.0	0.0434	18	40	25.4	1.25	3510	64.0	71.0	76.2	0.88	0.92	0.93	3.40	11.890	7.874	6203 ZZ	6202 ZZ	
1	0.75	56	1.48	K	8.4	2.9	3.0	0.0551	16	35	29.8	1.25	3510	69.0	76.0	80.4	0.89	0.93	0.94	4.30	11.890	7.874	6204 ZZ	6202 ZZ	
1.5	1.1	56	2.22	J	8.2	2.6	2.7	0.0629	10	22	32.0	1.15	3500	73.0	79.0	81.5	0.92	0.95	0.95	6.20	12.284	8.268	6204 ZZ	6202 ZZ	
2	1.5	56	2.96	K	8.6	2.5	2.8	0.0748	8	18	36.4	1.15	3500	76.0	81.0	82.9	0.90	0.94	0.94	8.40	12.677	8.661	6204 ZZ	6202 ZZ	
3	2.2	56H	4.44	J	8.2	2.2	2.8	0.0945	6	13	42.3	1.15	3500	76.0	81.0	84.1	0.87	0.92	0.93	12.2	13.858	9.842	6204 ZZ	6202 ZZ	
High-Output Design																									
0.25	0.18	48	0.370	M	8.8	2.8	3.1	0.0211	18	40	17.2	1.35	3510	50.0	59.0	66.6	0.91	0.93	0.94	1.25	9.492	6.300	6203 ZZ	6202 ZZ	
0.33	0.25	48	0.490	L	8.8	2.8	3.0	0.0254	15	33	19.4	1.35	3510	56.0	64.0	70.5	0.97	0.97	0.97	1.60	9.886	6.693	6203 ZZ	6202 ZZ	
0.5	0.37	48	0.740	L	8.8	2.7	3.0	0.0254	9	20	19.4	1.25	3510	60.0	68.0	72.4	0.90	0.93	0.94	2.40	9.886	6.693	6203 ZZ	6202 ZZ	
3	2.2	56	4.44	J	8.2	2.2	2.8	0.0945	6	13	42.3	1.15	3500	76.0	81.0	84.1	0.87	0.92	0.93	12.2	13.465	9.449	6204 ZZ	6202 ZZ	
IV pole																									
0.25	0.18	W56	0.740	M	7.5	2.9	3.0	0.0358	20	44	16.5	1.35	1745	53.0	62.0	68.5	0.56	0.65	0.71	1.60	9.866	6.300	6203 ZZ	6202 ZZ	
0.33	0.25	W56	0.980	N	8.0	3.2	3.2	0.0439	17	37	17.6	1.35	1745	57.0	66.0	72.4	0.57	0.67	0.73	2.10	10.260	6.693	6203 ZZ	6202 ZZ	
0.5	0.37	W56	1.48	L	7.7	3.1	3.0	0.0520	15	33	19.8	1.25	1745	63.0	71.0	76.2	0.60	0.70	0.77	2.75	10.654	7.087	6203 ZZ	6202 ZZ	
0.75	0.55	56	2.22	K	8.0	2.6	2.5	0.0973	20	44	30.9	1.25	1750	74.0	79.0	81.8	0.74	0.82	0.86	3.40	11.890	7.874	6203 ZZ	6202 ZZ	
1	0.75	56	2.96	K	8.4	2.6	2.5	0.1232	15	33	36.4	1.15	1750	75.0	80.0	82.6	0.75	0.83	0.87	4.50	12.677	8.661	6204 ZZ	6202 ZZ	
1.5	1.1	56H	4.45	K	8.0	2.6	2.5	0.1362	22	48	40.1	1.15	1745	76.0	81.0	83.8	0.72	0.81	0.84	6.80	13.071	9.055	6204 ZZ	6202 ZZ	
2	1.5	56H	5.96	K	7.6	2.6	2.5	0.1614	18	40	45.2	1.15	1740	77.0	82.0	84.5	0.68	0.78	0.83	9.30	13.858	9.842	6204 ZZ	6202 ZZ	
High-Output Design																									
0.25	0.18	48	0.740	M	7.5	2.9	3.0	0.0358	20	44	16.5	1.35	1745	53.0	62.0	68.5	0.56	0.65	0.71	1.60	9.492	6.300	6203 ZZ	6202 ZZ	
0.33	0.25	48	0.980	N	8.0	3.2	3.2	0.0439	17	37	17.6	1.35	1745	57.0	66.0	72.4	0.57	0.67	0.73	2.10	9.886	6.693	6203 ZZ	6202 ZZ	
0.5	0.37	48	1.48	L	7.7	3.1	3.0	0.0520	15	33	19.8	1.25	1745	63.0	71.0	76.2	0.60	0.70	0.77	2.75	10.280	7.087	6203 ZZ	6202 ZZ	
1.5	1.1	56	4.45	K	8.0	2.6	2.5	0.1362	22	48	40.1	1.15	1745	76.0	81.0	83.8	0.72	0.81	0.84	6.80	13.071	9.055	6204 ZZ	6202 ZZ	
2	1.5	56	5.96	K	7.6	2.6	2.5	0.1614	18	40	45.2	1.15	1740	77.0	82.0	84.5	0.68	0.78	0.83	9.30	13.465	9.449	6204 ZZ	6202 ZZ	



12.4 General Purpose - TEFC - Premium Efficiency - Single Phase

Output	Frame	Full Load Torque (ft.lb)	Locked Rotor Current		Locked Rotor Torque TI/Tn	Break-down Torque Tb/Tn	Inertia J (sq. ft.lb)	Allowable locked rotor time (s)		Weight (lb)	Service Factor	Rated speed (rpm)	230 V						Full load current In (A)	C (in)	LC (in)	Bearings		
			Code	II/In				Hot	Cold				% of full load			Power Factor						DE	NDE	
													Efficiency			Power Factor								
													50	75	100	50	75	100						
II pole																								
1	0.75	56	1.48	K	8.3	2.7	2.9	0.0589	15	33	32.0	1.15	3505	70.6	77.0	80.4	0.95	0.94	0.95	4.22	13.902	8.268	6204 ZZ	6202 ZZ
1.5	1.1	56	2.22	J	8.3	2.5	2.7	0.0669	10	22	33.1	1.15	3500	73.8	79.5	81.5	0.95	0.95	0.95	6.02	14.295	8.661	6204 ZZ	6202 ZZ
2	1.5	56	2.96	J	8.3	2.4	2.7	0.0786	9	20	37.5	1.15	3500	76.8	81.5	82.9	0.93	0.94	0.95	8.14	14.689	9.055	6204 ZZ	6202 ZZ
3	2.2	56H	4.44	J	8.2	2.2	2.8	0.0945	7	15	45.2	1.15	3500	79.3	83.1	84.1	0.83	0.88	0.91	12.3	15.476	9.842	6204 ZZ	6202 ZZ
High-Output Design																								
3	2.2	56	4.44	J	8.2	2.2	2.8	0.0945	7	15	45.2	1.15	3500	79.3	83.1	84.1	0.83	0.88	0.91	12.3	15.083	9.449	6204 ZZ	6202 ZZ
IV pole																								
0.75	0.55	56	2.22	J	7.8	2.8	2.5	0.1101	26	57	35.3	1.15	1750	74.8	79.9	81.8	0.78	0.83	0.87	3.30	14.295	8.661	6203 ZZ	6202 ZZ
1	0.75	56	2.96	J	7.8	2.7	2.5	0.1362	20	44	41.9	1.15	1750	75.3	80.5	82.6	0.79	0.84	0.87	4.41	15.083	9.449	6204 ZZ	6202 ZZ
1.5	1.1	56H	4.45	J	7.6	2.8	2.6	0.1426	27	59	43.0	1.15	1745	78.7	82.8	83.8	0.75	0.81	0.85	6.56	15.083	9.448	6204 ZZ	6202 ZZ
2	1.5	56H	5.97	J	7.5	2.9	2.5	0.1614	19	42	46.3	1.15	1735	79.8	83.5	84.5	0.71	0.79	0.84	9.04	15.870	10.236	6204 ZZ	6202 ZZ
High-Output Design																								
1.5	1.1	56	4.45	J	7.6	2.8	2.6	0.1426	27	59	43.0	1.15	1745	78.7	82.8	83.8	0.75	0.81	0.85	6.56	15.083	9.449	6204 ZZ	6202 ZZ
2	1.5	56	5.97	J	7.5	2.9	2.5	0.1614	19	42	46.3	1.15	1735	79.8	83.5	84.5	0.71	0.79	0.84	9.04	15.477	9.843	6204 ZZ	6202 ZZ

12.5 Jet Pump - Keyed - ODP - Standard Efficiency - Single Phase

Output	Frame	Full Load Torque (ft.lb)	Locked Rotor Current		Locked Rotor Torque TI/Tn	Break-down Torque Tb/Tn	Inertia J (sq. ft.lb)	Allowable locked rotor time (s)		Weight (lb)	Service Factor	Rated speed (rpm)	230 V						Full load current In (A)	C (in)	LC (in)	Bearings		
			Code	II/In				Hot	Cold				% of full load			Power Factor						DE	NDE	
													Efficiency			Power Factor								
													50	75	100	50	75	100						
II pole																								
0.16	0.12	W56C	0.237	P	6.5	3.0	3.0	0.0125	14	31	14.3	1.75	3500	35.0	44.0	53.0	0.56	0.64	0.70	1.40	9.472	5.906	6203 ZZ	6202 ZZ
0.25	0.18	W56C	0.370	P	7.2	3.0	3.0	0.0147	10	22	15.4	1.75	3500	43.0	50.0	55.0	0.55	0.64	0.71	2.00	9.472	5.906	6203 ZZ	6202 ZZ
0.33	0.25	W56C	0.488	P	7.4	3.0	3.0	0.0189	8	18	16.1	1.75	3500	49.0	56.0	59.0	0.57	0.66	0.74	2.50	9.866	6.300	6203 ZZ	6202 ZZ
0.5	0.37	W56C	0.740	N	8.2	2.8	3.0	0.0232	6	13	18.7	1.60	3500	54.0	61.0	65.0	0.55	0.66	0.74	3.30	10.260	6.693	6203 ZZ	6202 ZZ
0.75	0.55	W56C	1.11	N	8.0	2.6	3.0	0.0272	6	13	20.9	1.50	3500	56.0	63.0	67.0	0.54	0.66	0.74	4.80	10.654	7.087	6203 ZZ	6202 ZZ
1	0.75	56C	1.48	M	6.9	2.6	2.8	0.0472	8	18	26.5	1.40	3500	60.0	65.0	68.0	0.55	0.67	0.75	6.40	11.496	7.480	6203 ZZ	6202 ZZ
1.5	1.1	56C	2.22	L	7.3	2.5	2.7	0.0588	6	13	30.9	1.30	3500	65.0	70.0	72.0	0.57	0.69	0.77	8.60	11.890	7.874	6203 ZZ	6202 ZZ
2	1.5	56HC	2.97	L	7.8	2.5	2.6	0.0747	6	13	36.4	1.20	3490	69.0	72.0	75.0	0.60	0.72	0.80	10.9	12.678	8.662	6203 ZZ	6202 ZZ
3	2.2	56HC	4.46	K	8.0	2.0	2.5	0.0863	6	13	41.2	1.15	3485	71.0	76.0	78.0	0.85	0.91	0.93	13.2	13.465	9.449	6203 ZZ	6202 ZZ
IV pole																								
0.12	0.09	W56C	0.360	P	4.8	3.3	3.1	0.0240	26	57	13.7	1.40	1740	37.0	45.0	50.0	0.41	0.48	0.55	1.42	9.472	5.906	6203 ZZ	6202 ZZ
0.16	0.12	W56C	0.480	P	5.5	3.2	3.0	0.0280	16	35	14.8	1.35	1740	41.0	49.0	53.0	0.42	0.50	0.57	1.73	9.472	5.906	6203 ZZ	6202 ZZ
0.25	0.18	W56C	0.750	N	5.3	3.1	2.8	0.0318	14	31	15.4	1.35	1735	46.0	54.0	57.0	0.41	0.51	0.59	2.33	9.472	5.906	6203 ZZ	6202 ZZ
0.33	0.25	W56C	0.990	N	5.6	3.3	2.8	0.0399	12	26	16.8	1.35	1735	49.0	57.0	60.0	0.41	0.50	0.58	3.12	9.866	6.300	6203 ZZ	6202 ZZ
0.5	0.37	W56C	1.49	M	5.8	3.2	2.7	0.0479	10	22	18.7	1.25	1735	54.0	61.0	63.0	0.43	0.53	0.62	4.12	10.260	6.693	6203 ZZ	6202 ZZ
0.75	0.55	56C	2.23	M	6.5	2.8	2.7	0.0778	10	22	26.5	1.25	1745	60.0	66.0	69.0	0.46	0.57	0.66	5.25	11.496	7.480	6203 ZZ	6202 ZZ
1	0.75	56C	2.97	M	6.7	2.7	2.7	0.0973	7	15	30.9	1.15	1745	43.0	68.0	71.0	0.48	0.60	0.68	6.75	11.890	7.874	6203 ZZ	6202 ZZ

12.8 Jet Pump - Keyed - TEFC - Premium Efficiency - Single Phase

Output		Frame	Full Load Torque (ft.lb)	Locked Rotor Current		Locked Rotor Torque TI/Tn	Break-down Torque Tb/Tn	Inertia J (sq. ft.lb)	Allowable locked rotor time (s)		Weight (lb)	Service Factor	Rated speed (rpm)	230 V						Full load current In (A)	C (in)	LC (in)	Bearings			
				HP	kW				Code	I/In				Hot	Cold	% of full load			Power Factor				DE	NDE		
																Efficiency			Power Factor							
																50	75	100	50						75	100
II pole																										
1	0.75	56C	1.48	K	8.3	2.7	2.9	0.0589	15	33	32.0	1.15	3505	70.6	77.0	80.4	0.95	0.94	0.95	4.22	13.901	8.267	6203 ZZ	6202 ZZ		
1.5	1.1	56C	2.22	J	8.3	2.5	2.7	0.0669	10	22	33.1	1.15	3500	73.8	79.5	81.5	0.95	0.95	0.95	6.02	14.296	8.662	6203 ZZ	6202 ZZ		
2	1.5	56C	2.96	J	8.3	2.4	2.7	0.0786	9	20	37.5	1.15	3500	76.8	81.5	82.9	0.93	0.94	0.95	8.14	14.690	9.056	6203 ZZ	6202 ZZ		
3	2.2	56HC	4.44	J	8.2	2.2	2.8	0.0945	7	15	45.2	1.15	3500	79.3	83.1	84.1	0.83	0.88	0.91	12.3	15.477	9.842	6203 ZZ	6202 ZZ		
High-Output Design																										
3	2.2	56C	4.44	J	8.2	2.2	2.8	0.0945	7	15	45.2	1.15	3500	79.3	83.1	84.1	0.83	0.88	0.91	12.3	15.476	9.842	6203 ZZ	6202 ZZ		
VI pole																										
0.75	0.55	56C	2.22	J	7.8	2.8	2.5	0.1101	26	57	35.3	1.15	1750	74.8	79.9	81.8	0.78	0.83	0.87	3.30	14.296	8.662	6203 ZZ	6202 ZZ		
1	0.75	56C	2.96	J	7.8	2.7	2.5	0.1362	20	44	41.9	1.15	1750	75.3	80.5	82.6	0.79	0.84	0.87	4.41	15.083	9.449	6203 ZZ	6202 ZZ		
1.5	1.1	56HC	4.45	J	7.6	2.8	2.6	0.1426	27	59	43.0	1.15	1745	78.7	82.8	83.8	0.75	0.81	0.85	6.56	15.083	9.448	6203 ZZ	6202 ZZ		
2	1.5	56HC	5.97	J	7.5	2.9	2.5	0.1614	19	42	46.3	1.15	1735	79.8	83.5	84.5	0.71	0.79	0.84	9.04	15.870	10.236	6203 ZZ	6202 ZZ		
High-Output Design																										
1.5	1.1	56C	4.45	J	7.6	2.8	2.6	0.1426	27	59	43.0	1.15	1745	78.7	82.8	83.8	0.75	0.81	0.85	6.56	15.083	9.449	6203 ZZ	6202 ZZ		
2	1.5	56C	5.97	J	7.5	2.9	2.5	0.1614	19	42	46.3	1.15	1735	79.8	83.5	84.5	0.71	0.79	0.84	9.04	15.871	10.237	6203 ZZ	6202 ZZ		

12.9 Jet Pump - Threaded - ODP - Standard Efficiency - Single Phase

Output		Frame	Full Load Torque (ft.lb)	Locked Rotor Current		Locked Rotor Torque TI/Tn	Break-down Torque Tb/Tn	Inertia J (sq. ft.lb)	Allowable locked rotor time (s)		Weight (lb)	Service Factor	Rated speed (rpm)	230 V						Full load current In (A)	C (in)	LC (in)	Bearings			
				HP	kW				Code	I/In				Hot	Cold	% of full load			Power Factor				DE	NDE		
																Efficiency			Power Factor							
																50	75	100	50						75	100
II pole																										
0.16	0.12	W56J	0.237	P	6.5	3.0	3.0	0.0125	14	31	14.3	1.75	3500	35.0	44.0	53.0	0.56	0.64	0.70	1.40	9.972	5.906	6203 ZZ	6202 ZZ		
0.25	0.18	W56J	0.370	P	7.2	3.0	3.0	0.0147	10	22	15.4	1.75	3500	43.0	50.0	55.0	0.55	0.64	0.71	2.00	10.366	6.300	6203 ZZ	6202 ZZ		
0.33	0.25	W56J	0.488	P	7.4	3.0	3.0	0.0189	8	18	16.1	1.75	3500	49.0	56.0	59.0	0.57	0.66	0.74	2.50	10.366	6.300	6203 ZZ	6202 ZZ		
0.5	0.37	W56J	0.740	N	8.2	2.8	3.0	0.0232	6	13	18.7	1.60	3500	54.0	61.0	65.0	0.55	0.66	0.74	3.30	10.760	6.693	6203 ZZ	6202 ZZ		
0.75	0.55	W56J	1.11	N	8.0	2.6	3.0	0.0272	6	13	20.9	1.50	3500	56.0	63.0	67.0	0.54	0.66	0.74	4.80	11.154	7.087	6203 ZZ	6202 ZZ		
1	0.75	56J	1.48	M	6.9	2.6	2.8	0.0472	8	18	26.5	1.40	3500	60.0	65.0	68.0	0.55	0.67	0.75	6.40	11.496	7.480	6203 ZZ	6202 ZZ		
1.5	1.1	56J	2.22	L	7.3	2.5	2.7	0.0588	6	13	30.9	1.30	3500	65.0	70.0	72.0	0.57	0.69	0.77	8.60	11.890	7.874	6203 ZZ	6202 ZZ		
2	1.5	56HJ	2.97	L	7.8	2.5	2.6	0.0747	6	13	36.4	1.20	3490	69.0	72.0	75.0	0.60	0.72	0.80	10.9	12.678	8.662	6203 ZZ	6202 ZZ		
3	2.2	56HJ	4.46	K	8.0	2.0	2.5	0.0863	6	13	41.2	1.15	3485	71.0	76.0	78.0	0.85	0.91	0.93	13.2	13.465	9.449	6203 ZZ	6202 ZZ		
VI pole																										
0.12	0.09	W56J	0.360	P	4.8	3.3	3.1	0.0240	26	57	13.7	1.40	1740	37.0	45.0	50.0	0.41	0.48	0.55	1.42	9.972	5.906	6203 ZZ	6202 ZZ		
0.16	0.12	W56J	0.480	P	5.5	3.2	3.0	0.0280	16	35	14.8	1.35	1740	41.0	49.0	53.0	0.42	0.50	0.57	1.73	9.972	5.906	6203 ZZ	6202 ZZ		
0.25	0.18	W56J	0.750	N	5.3	3.1	2.8	0.0318	14	31	15.4	1.35	1735	46.0	54.0	57.0	0.41	0.51	0.59	2.33	9.972	5.906	6203 ZZ	6202 ZZ		
0.33	0.25	W56J	0.990	N	5.6	3.3	2.8	0.0399	12	26	16.8	1.35	1735	49.0	57.0	60.0	0.41	0.50	0.58	3.12	10.366	6.300	6203 ZZ	6202 ZZ		
0.5	0.37	W56J	1.49	M	5.8	3.2	2.7	0.0479	10	22	18.7	1.25	1735	54.0	61.0	63.0	0.43	0.53	0.62	4.12	10.760	6.693	6203 ZZ	6202 ZZ		
0.75	0.55	56J	2.23	M	6.5	2.8	2.7	0.0778	10	22	26.5	1.25	1745	60.0	66.0	69.0	0.46	0.57	0.66	5.25	11.496	7.480	6203 ZZ	6202 ZZ		
1	0.75	56J	2.97	M	6.7	2.7	2.7	0.0973	7	15	30.9	1.15	1745	43.0	68.0	71.0	0.48	0.60	0.68	6.75	11.890	7.874	6203 ZZ	6202 ZZ		



12.10 Jet Pump - Threaded - ODP - Premium Efficiency - Single Phase

Output		Frame	Full Load Torque (ft.lb)	Locked Rotor Current		Locked Rotor Torque Tl/Tn	Break-down Torque Tb/Tn	Inertia J (sq. ft.lb)	Allowable locked rotor time (s)		Weight (lb)	Service Factor	Rated speed (rpm)	230 V						Full load current In (A)	C (in)	LC (in)	Bearings		
				Code	II/In				Hot	Cold				% of full load			Efficiency	Power Factor					DE	NDE	
														50	75	100		50	75						100
II pole																									
0.25	0.18	W56J	0.370	M	8.8	2.8	3.1	0.0211	18	40	17.2	1.75	3510	50.0	59.0	66.6	0.91	0.93	0.94	1.25	10.366	6.300	6203 ZZ	6202 ZZ	
0.33	0.25	W56J	0.490	L	8.8	2.8	3.0	0.0254	15	33	19.4	1.75	3510	56.0	64.0	70.5	0.97	0.97	0.97	1.60	10.760	6.693	6203 ZZ	6202 ZZ	
0.5	0.37	W56J	0.740	A	0.8	2.7	3.0	0.0254	9	20	19.4	1.60	3510	60.0	68.0	72.4	0.90	0.93	0.94	2.40	10.760	6.693	6203 ZZ	6202 ZZ	
0.75	0.55	56J	1.11	K	8.6	3.0	3.0	0.0434	18	40	25.4	1.50	3510	64.0	71.0	76.2	0.88	0.92	0.93	3.40	11.102	7.086	6203 ZZ	6202 ZZ	
1	0.75	56J	1.48	K	8.4	2.9	3.0	0.0551	16	35	29.8	1.40	3510	69.0	76.0	80.4	0.89	0.93	0.94	4.30	11.890	7.874	6203 ZZ	6202 ZZ	
1.5	1.1	56J	2.22	J	8.2	2.6	2.7	0.0629	10	22	32.0	1.30	3500	73.0	79.0	81.5	0.92	0.95	0.95	6.20	12.283	8.267	6203 ZZ	6202 ZZ	
2	1.5	56J	2.96	K	8.6	2.5	2.8	0.0748	8	18	36.4	1.20	3500	76.0	81.0	82.9	0.90	0.94	0.94	8.40	12.677	8.661	6203 ZZ	6202 ZZ	
3	2.2	56HJ	4.44	J	8.2	2.2	2.8	0.0945	6	13	42.3	1.15	3500	76.0	81.0	84.1	0.87	0.92	0.93	12.2	13.859	9.843	6203 ZZ	6202 ZZ	
High-Output Design																									
3	2.2	56J	4.44	J	8.2	2.2	2.8	0.0945	6	13	42.3	1.15	3500	76.0	81.0	84.1	0.87	0.92	0.93	12.2	13.464	9.448	6203 ZZ	6202 ZZ	
IV pole																									
0.25	0.18	W56J	0.740	M	7.5	2.9	3.0	0.0358	20	44	16.5	1.35	1745	53.0	62.0	68.5	0.56	0.65	0.71	1.60	11.547	7.480	6203 ZZ	6202 ZZ	
0.33	0.25	W56J	0.980	N	8.0	3.2	3.2	0.0439	17	37	17.6	1.35	1745	57.0	66.0	72.4	0.57	0.67	0.73	2.10	10.760	6.693	6203 ZZ	6202 ZZ	
0.5	0.37	W56J	1.48	L	7.7	3.1	3.0	0.0520	15	33	19.8	1.25	1745	63.0	71.0	76.2	0.60	0.70	0.77	2.75	11.154	7.087	6203 ZZ	6202 ZZ	
0.75	0.55	56J	2.22	K	8.0	2.6	2.5	0.0973	20	44	30.9	1.25	1750	74.0	79.0	81.8	0.74	0.82	0.86	3.40	11.890	7.874	6203 ZZ	6202 ZZ	
1	0.75	56J	2.96	K	8.4	2.6	2.5	0.1232	15	33	36.4	1.15	1750	75.0	80.0	82.6	0.75	0.83	0.87	4.50	12.677	8.661	6203 ZZ	6202 ZZ	
1.5	1.1	56HJ	4.45	K	8.0	2.6	2.5	0.1362	22	48	40.1	1.15	1745	76.0	81.0	83.8	0.72	0.81	0.84	6.80	13.071	9.055	6203 ZZ	6202 ZZ	
2	1.5	56HJ	5.96	K	7.6	2.6	2.5	0.1614	18	40	45.2	1.15	1740	77.0	82.0	84.5	0.68	0.78	0.83	9.30	13.859	9.843	6203 ZZ	6202 ZZ	
High-Output Design																									
1.5	1.1	56J	4.45	K	8.0	2.6	2.5	0.1362	22	48	40.1	1.15	1745	76.0	81.0	83.8	0.72	0.81	0.84	6.80	13.071	9.055	6203 ZZ	6202 ZZ	
2	1.5	56J	5.96	K	7.6	2.6	2.5	0.1614	18	40	45.2	1.15	1740	77.0	82.0	84.5	0.68	0.78	0.83	9.30	13.464	9.448	6203 ZZ	6202 ZZ	

12.11 Jet Pump - Threaded - TEFC - Standard Efficiency - Single Phase

Output HP kW	Frame	Full Load Torque (ft.lb)	Locked Rotor Current		Locked Rotor Torque Tl/Tn	Break-down Torque Tb/Tn	Inertia J (sq. ft.lb)	Allowable locked rotor time (s)		Weight (lb)	Service Factor	Rated speed (rpm)	230 V						Full load current In (A)	C (in)	LC (in)	Bearings		
			Code	II/In				Hot	Cold				% of full load									DE	NDE	
													Efficiency			Power Factor								
													50	75	100	50	75	100						
0.12	0.09	W56J	0.180	R	6.0	3.0	3.0	0.0126	18	40	15.4	1.15	3475	28.0	35.0	42.0	0.64	0.70	0.75	1.30	11.213	5.906	6203 ZZ	6202 ZZ
0.16	0.12	W56J	0.240	P	6.0	3.0	3.0	0.0126	14	31	15.4	1.15	3480	30.0	38.0	44.0	0.60	0.67	0.73	1.60	11.213	5.906	6203 ZZ	6202 ZZ
0.25	0.18	W56J	0.370	P	6.6	2.9	3.0	0.0147	11	24	17.2	1.15	3485	35.0	44.0	50.0	0.60	0.68	0.74	2.10	11.213	5.906	6203 ZZ	6202 ZZ
0.33	0.25	W56J	0.490	P	7.0	2.9	2.9	0.0190	8	18	18.7	1.15	3490	42.0	50.0	54.0	0.61	0.69	0.76	2.60	11.606	6.300	6203 ZZ	6202 ZZ
0.5	0.37	W56J	0.740	P	8.0	2.9	3.0	0.0233	7	15	20.5	1.15	3500	50.0	58.0	60.0	0.59	0.69	0.76	3.50	12.000	6.693	6203 ZZ	6202 ZZ
0.75	0.55	56J	1.11	L	8.0	2.8	2.9	0.0394	10	22	26.5	1.15	3500	52.0	62.0	66.0	0.81	0.87	0.91	4.00	14.402	7.086	6203 ZZ	6202 ZZ
1	0.75	56J	1.48	L	8.4	2.8	2.8	0.0472	8	18	28.7	1.15	3500	55.0	64.0	70.0	0.82	0.88	0.92	5.10	14.795	7.480	6203 ZZ	6202 ZZ
1.5	1.1	56J	2.22	K	8.0	2.4	2.5	0.0589	7	15	32.0	1.15	3500	66.0	73.0	75.0	0.92	0.95	0.97	6.60	15.583	8.662	6203 ZZ	6202 ZZ
2	1.5	56HJ	2.96	J	7.8	2.2	2.5	0.0707	6	13	35.3	1.15	3495	70.0	75.0	77.0	0.94	0.97	0.97	8.70	15.583	8.661	6203 ZZ	6202 ZZ
3	2.2	56HJ	4.45	J	8.0	2.1	2.5	0.0945	6	13	45.2	1.15	3490	72.0	77.0	80.0	0.87	0.92	0.94	12.7	16.764	9.842	6203 ZZ	6202 ZZ

High-Output Design

2	1.5	56J	2.96	J	7.8	2.2	2.5	0.0707	6	13	35.3	1.15	3495	70.0	75.0	77.0	0.94	0.97	0.97	8.70	15.583	8.662	6203 ZZ	6202 ZZ
3	2.2	56J	4.45	J	8.0	2.1	2.5	0.0945	6	13	45.2	1.15	3490	72.0	77.0	80.0	0.87	0.92	0.94	12.7	16.764	9.843	6203 ZZ	6202 ZZ

IV pole

0.12	0.09	W56J	0.360	P	4.8	3.2	3.0	0.0240	26	57	14.8	1.15	1740	37.0	45.0	51.0	0.41	0.48	0.55	1.45	11.213	5.906	6203 ZZ	6202 ZZ
0.16	0.12	W56J	0.480	P	5.4	3.2	2.9	0.0280	16	35	15.7	1.15	1735	38.0	46.0	52.0	0.44	0.52	0.59	1.70	11.213	5.906	6203 ZZ	6202 ZZ
0.25	0.18	W56J	0.750	N	5.3	3.1	2.8	0.0318	15	33	16.5	1.15	1735	43.0	52.0	57.0	0.43	0.52	0.60	2.30	11.606	6.300	6203 ZZ	6202 ZZ
0.33	0.25	W56J	0.990	N	5.6	3.2	2.8	0.0399	12	26	18.3	1.15	1735	46.0	55.0	61.0	0.42	0.51	0.59	3.00	12.000	6.693	6203 ZZ	6202 ZZ
0.5	0.37	W56J	1.50	M	5.7	3.2	2.7	0.0479	10	22	20.7	1.15	1730	52.0	59.0	64.0	0.44	0.54	0.63	4.00	12.394	7.087	6203 ZZ	6202 ZZ
0.75	0.55	56J	2.23	M	6.4	2.8	2.7	0.0778	10	22	28.7	1.15	1745	57.0	65.0	68.5	0.47	0.58	0.67	5.30	14.795	7.480	6203 ZZ	6202 ZZ
1	0.75	56J	2.97	M	6.7	2.8	2.7	0.1037	8	18	33.1	1.15	1745	62.0	68.0	71.0	0.48	0.60	0.68	6.80	15.189	8.268	6203 ZZ	6202 ZZ
1.5	1.1	56HJ	4.45	L	8.0	2.5	2.7	0.1426	8	18	43.0	1.15	1745	69.0	75.0	77.0	0.68	0.78	0.83	7.48	16.370	9.448	6203 ZZ	6202 ZZ
2	1.5	56HJ	5.94	L	8.0	2.4	2.6	0.1614	6	13	46.3	1.15	1745	70.0	76.0	78.5	0.66	0.76	0.82	10.0	17.157	10.235	6203 ZZ	6202 ZZ

High-Output Design

1.5	1.1	56J	4.45	L	8.0	2.5	2.7	0.1426	8	18	43.0	1.15	1745	69.0	75.0	77.0	0.68	0.78	0.83	7.48	16.370	9.449	6203 ZZ	6202 ZZ
2	1.5	56J	5.94	L	8.0	2.4	2.6	0.1614	6	13	46.3	1.15	1745	70.0	76.0	78.5	0.66	0.76	0.82	10.0	17.158	10.237	6203 ZZ	6202 ZZ

12.12 Jet Pump - Threaded - TEFC - Premium Efficiency - Single Phase

Output HP kW	Frame	Full Load Torque (ft.lb)	Locked Rotor Current		Locked Rotor Torque Tl/Tn	Break-down Torque Tb/Tn	Inertia J (sq. ft.lb)	Allowable locked rotor time (s)		Weight (lb)	Service Factor	Rated speed (rpm)	230 V						Full load current In (A)	C (in)	LC (in)	Bearings		
			Code	II/In				Hot	Cold				% of full load									DE	NDE	
													Efficiency			Power Factor								
													50	75	100	50	75	100						
1	0.75	56J	1.48	K	8.3	2.7	2.9	0.0589	15	33	32.0	1.15	3505	70.6	77.0	80.4	0.95	0.94	0.95	4.22	15.189	8.268	6203 ZZ	6202 ZZ
1.5	1.1	56J	2.22	J	8.3	2.5	2.7	0.0669	10	22	33.1	1.15	3500	73.8	79.5	81.5	0.95	0.95	0.95	6.02	15.583	8.662	6203 ZZ	6202 ZZ
2	1.5	56J	2.96	J	8.3	2.4	2.7	0.0786	9	20	37.5	1.15	3500	76.8	81.5	82.9	0.93	0.94	0.95	8.14	15.977	9.056	6203 ZZ	6202 ZZ
3	2.2	56HJ	4.44	J	8.2	2.2	2.8	0.0945	7	15	45.2	1.15	3500	79.3	83.1	84.1	0.83	0.88	0.91	12.3	16.764	9.842	6203 ZZ	6202 ZZ

High-Output Design

3	2.2	56J	4.44	J	8.2	2.2	2.8	0.0945	7	15	45.2	1.15	3500	79.3	83.1	84.1	0.83	0.88	0.91	12.3	16.764	9.843	6203 ZZ	6202 ZZ
---	-----	-----	------	---	-----	-----	-----	--------	---	----	------	------	------	------	------	------	------	------	------	------	--------	-------	---------	---------

IV pole

0.75	0.55	56J	2.22	J	7.8	2.8	2.5	0.1101	26	57	35.3	1.15	1750	74.8	79.9	81.8	0.78	0.83	0.87	3.30	15.583	8.662	6203 ZZ	6202 ZZ
1	0.75	56J	2.96	J	7.8	2.7	2.5	0.1362	20	44	41.9	1.15	1750	75.3	80.5	82.6	0.79	0.84	0.87	4.41	16.370	9.449	6203 ZZ	6202 ZZ
1.5	1.1	56HJ	4.45	J	7.6	2.8	2.6	0.1426	27	59	43.0	1.15	1745	78.7	82.8	83.8	0.75	0.81	0.85	6.56	16.370	9.448	6203 ZZ	6202 ZZ
2	1.5	56HJ	5.97	J	7.5	2.9	2.5	0.1614	19	42	46.3	1.15	1735	79.8	83.5	84.5	0.71	0.79	0.84	9.04	17.157	10.235	6203 ZZ	6202 ZZ

High-Output Design

1.5	1.1	56J	4.45	J	7.6	2.8	2.6	0.1426	27	59	43.0	1.15	1745	78.7	82.8	83.8	0.75	0.81	0.85	6.56	16.370	9.449	6203 ZZ	6202 ZZ
2	1.5	56J	5.97	J	7.5	2.9	2.5	0.1614	19	42	46.3	1.15	1735	79.8	83.5	84.5	0.71	0.79	0.84	9.04	17.158	10.237	6203 ZZ	6202 ZZ

12.13 Compressor Duty - ODP - Standard Efficiency - Single Phase

Output		Frame	Full Load Torque (ft.lb)	Locked Rotor Current		Locked Rotor Torque TI/Tn	Break-down Torque Tb/Tn	Inertia J (sq. ft.lb)	Allowable locked rotor time (s)		Weight (lb)	Service Factor	Rated speed (rpm)	230 V						Full load current In (A)	C (in)	LC (in)	Bearings		
				Code	II/In				Hot	Cold				% of full load			Power Factor	DE	NDE						
														Efficiency	Power Factor										
HP	kW												50	75	100	50	75	100							
II pole																									
0.33	0.25	W56	0.490	L	5.8	2.0	2.0	0.0147	13	29	16.1	1.00	3455	49.6	56.6	59.0	0.64	0.73	0.80	2.30	9.472	5.906	6203 ZZ	6202 ZZ	
0.5	0.37	W56	0.750	K	5.8	1.9	1.9	0.0190	9	20	18.7	1.00	3450	57.4	63.0	63.5	0.66	0.77	0.82	3.10	9.866	6.300	6203 ZZ	6202 ZZ	
0.75	0.55	W56	1.12	K	6.5	1.8	2.1	0.0233	8	18	20.9	1.00	3460	62.9	68.0	68.5	0.65	0.76	0.82	4.30	10.260	6.693	6203 ZZ	6202 ZZ	
1	0.75	56	1.49	K	5.8	1.7	2.5	0.0394	10	22	26.5	1.00	3485	58.3	65.2	66.5	0.54	0.65	0.74	6.60	11.102	7.874	6203 ZZ	6202 ZZ	
1.5	1.1	56	2.23	J	5.6	1.7	2.5	0.0510	11	24	30.9	1.00	3490	66.5	71.8	72.0	0.58	0.70	0.76	8.70	11.496	7.480	6203 ZZ	6202 ZZ	
2	1.5	56H	2.98	H	6.8	1.8	2.3	0.0551	8	18	36.4	1.00	3480	69.8	75.8	77.5	0.86	0.92	0.94	8.90	11.890	7.874	6203 ZZ	6202 ZZ	
3	2.2	56H	4.47	H	6.8	1.7	2.6	0.0707	7	15	41.2	1.00	3480	72.9	78.6	80.0	0.90	0.93	0.94	12.7	12.677	8.661	6203 ZZ	6202 ZZ	
4	3	56H*	6.06	F	5.2	1.9	1.8	0.0748	5	11	46.0	1.00	3420	74.4	78.5	78.5	0.97	0.98	0.98	17.0	12.677	8.661	6203 ZZ	6202 ZZ	
IV pole																									
0.12	0.09	W56	0.360	P	4.8	3.3	3.1	0.0240	26	57	13.7	1.40	1740	37.0	45.0	50.0	0.41	0.48	0.55	1.42	9.472	5.906	6203 ZZ	6202 ZZ	
0.16	0.12	W56	0.480	P	5.5	3.2	3.0	0.0280	16	35	14.8	1.35	1740	41.0	49.0	53.0	0.42	0.50	0.57	1.73	9.472	5.906	6203 ZZ	6202 ZZ	
0.25	0.18	W56	0.750	N	5.3	3.1	2.8	0.0318	14	31	15.4	1.35	1735	46.0	54.0	57.0	0.41	0.51	0.59	2.33	9.472	5.906	6203 ZZ	6202 ZZ	
0.33	0.25	W56	0.990	N	5.6	3.3	2.8	0.0399	12	26	16.8	1.35	1735	49.0	57.0	60.0	0.41	0.50	0.58	3.12	9.866	6.300	6203 ZZ	6202 ZZ	
0.5	0.37	W56	1.49	M	5.8	3.2	2.7	0.0479	10	22	18.7	1.25	1735	54.0	61.0	63.0	0.43	0.53	0.62	4.12	10.260	6.693	6203 ZZ	6202 ZZ	
0.75	0.55	56	2.23	M	6.5	2.8	2.7	0.0778	10	22	26.5	1.25	1745	60.0	66.0	69.0	0.46	0.57	0.66	5.25	11.496	7.480	6203 ZZ	6202 ZZ	
1	0.75	56	2.97	M	6.7	2.7	2.7	0.0973	7	15	30.9	1.15	1745	43.0	68.0	71.0	0.48	0.60	0.68	6.75	11.890	7.874	6203 ZZ	6202 ZZ	
1.5	1.1	56H	4.45	M	6.9	2.7	2.7	0.1362	7	15	40.1	1.15	1745	66.0	72.0	73.0	0.48	0.60	0.69	9.49	13.071	9.055	6203 ZZ	6202 ZZ	
2	1.5	56H	5.96	L	7.5	2.4	2.6	0.1550	6	13	42.3	1.15	1740	70.0	75.0	78.0	0.62	0.73	0.80	10.5	13.858	9.843	6203 ZZ	6202 ZZ	

12.14 Compressor Duty - ODP - Premium Efficiency - Single Phase

Output		Frame	Full Load Torque (ft.lb)	Locked Rotor Current		Locked Rotor Torque Tl/Tn	Break-down Torque Tb/Tn	Inertia J (sq. ft.lb)	Allowable locked rotor time (s)		Weight (lb)	Service Factor	Rated speed (rpm)	230 V						Full load current In (A)	C (in)	LC (in)	Bearings							
				HP	kW				Code	II/In				Hot	Cold	% of full load			50				75	100	Power Factor			DE	NDE	
																Efficiency	50	75							100	50	75			100
II pole																														
0.25	0.18	W56	0.370	M	8.8	2.8	3.1	0.0211	18	40	17.2	1.35	3510	50.0	59.0	66.6	0.91	0.93	0.94	1.25	9.866	6.300	6203 ZZ	6202 ZZ						
0.33	0.25	W56	0.490	L	8.8	2.8	3.0	0.0254	15	33	19.4	1.35	3510	56.0	64.0	70.5	0.97	0.97	0.97	1.60	10.260	6.693	6203 ZZ	6202 ZZ						
0.5	0.37	W56	0.740	L	8.8	2.7	3.0	0.0254	9	20	19.4	1.25	3510	60.0	68.0	72.4	0.90	0.93	0.94	2.40	10.260	6.693	6203 ZZ	6202 ZZ						
0.75	0.55	56	1.11	K	8.6	3.0	3.0	0.0434	18	40	25.4	1.25	3510	64.0	71.0	76.2	0.88	0.92	0.93	3.40	11.102	7.874	6203 ZZ	6202 ZZ						
1	0.75	56	1.48	K	8.4	2.9	3.0	0.0551	16	35	29.8	1.25	3510	69.0	76.0	80.4	0.89	0.93	0.94	4.30	11.890	7.874	6203 ZZ	6202 ZZ						
1.5	1.1	56	2.22	J	8.2	2.6	2.7	0.0629	10	22	32.0	1.15	3500	73.0	79.0	81.5	0.92	0.95	0.95	6.20	12.283	8.268	6203 ZZ	6202 ZZ						
2	1.5	56	2.96	K	8.6	2.5	2.8	0.0748	8	18	36.4	1.15	3500	76.0	81.0	82.9	0.90	0.94	0.94	8.40	12.677	8.661	6203 ZZ	6202 ZZ						
3	2.2	56H	4.44	J	8.2	2.2	2.8	0.0945	6	13	42.3	1.15	3500	76.0	81.0	84.1	0.87	0.92	0.93	12.2	13.858	9.843	6203 ZZ	6202 ZZ						
IV pole																														
0.25	0.18	W56	0.740	M	7.5	2.9	3.0	0.0358	20	44	16.5	1.35	1745	53.0	62.0	68.5	0.56	0.65	0.71	1.60	9.866	6.300	6203 ZZ	6202 ZZ						
0.33	0.25	W56	0.980	N	8.0	3.2	3.2	0.0439	17	37	17.6	1.35	1745	57.0	66.0	72.4	0.57	0.67	0.73	2.10	10.260	6.693	6203 ZZ	6202 ZZ						
0.5	0.37	W56	1.48	L	7.7	3.1	3.0	0.0520	15	33	19.8	1.25	1745	63.0	71.0	76.2	0.60	0.70	0.77	2.75	10.654	7.087	6203 ZZ	6202 ZZ						
0.75	0.55	56	2.22	K	8.0	2.6	2.5	0.0973	20	44	30.9	1.25	1750	74.0	79.0	81.8	0.74	0.82	0.86	3.40	11.890	7.874	6203 ZZ	6202 ZZ						
1	0.75	56	2.96	K	8.4	2.6	2.5	0.1232	15	33	36.4	1.15	1750	75.0	80.0	82.6	0.75	0.83	0.87	4.50	12.677	8.661	6203 ZZ	6202 ZZ						
1.5	1.1	56H	4.45	K	8.0	2.6	2.5	0.1362	22	48	40.1	1.15	1745	76.0	81.0	83.8	0.72	0.81	0.84	6.80	13.071	9.055	6203 ZZ	6202 ZZ						
2	1.5	56H	5.96	K	7.6	2.6	2.5	0.1614	18	40	45.2	1.15	1740	77.0	82.0	84.5	0.68	0.78	0.83	9.30	13.858	9.843	6203 ZZ	6202 ZZ						

Output		Frame	Full Load Torque (ft.lb)	Locked Rotor Current		Locked Rotor Torque Tl/Tn	Break-down Torque Tb/Tn	Inertia J (sq. ft.lb)	Allowable locked rotor time (s)		Weight (lb)	Service Factor	Rated speed (rpm)	230 V						Full load current In (A)	C (in)	LC (in)	Bearings							
				HP	kW				Code	II/In				Hot	Cold	% of full load			50				75	100	Power Factor			DE	NDE	
																Efficiency	50	75							100	50	75			100

VI pole

0.16	0.12	W56	0.720	J	4.0	2.0	2.7	0.0280	45	99	13.5	1.35	1145	49.0	57.0	61.0	0.43	0.53	0.62	0.398	9.866	6.300	6203 ZZ	6202 ZZ
0.25	0.18	W56	1.13	J	4.2	2.1	2.8	0.0358	30	66	15.4	1.35	1150	51.0	59.0	63.0	0.42	0.52	0.62	0.578	10.260	6.693	6203 ZZ	6202 ZZ
0.33	0.25	W56	1.50	J	4.2	1.8	2.4	0.0439	24	53	17.6	1.35	1140	57.0	63.0	66.0	0.46	0.58	0.67	0.710	10.654	7.087	6203 ZZ	6202 ZZ
0.5	0.37	W56	2.28	H	4.4	2.0	2.4	0.0558	19	42	20.7	1.25	1135	60.0	66.0	68.0	0.46	0.58	0.68	1.00	11.047	7.480	6203 ZZ	6202 ZZ
0.75	0.55	56H	3.38	J	5.4	2.0	2.7	0.1153	20	44	25.6	1.15	1150	70.0	74.0	75.5	0.48	0.61	0.71	1.29	11.496	7.480	6204 ZZ	6202 ZZ
1	0.75	56H	4.52	J	5.6	2.2	2.7	0.1419	16	35	30.0	1.15	1145	72.0	75.5	77.0	0.49	0.63	0.72	1.70	11.890	7.874	6204 ZZ	6202 ZZ

High-Output Design

0.16	0.12	48	0.720	J	4.0	2.0	2.7	0.0280	45	99	13.5	1.35	1145	49.0	57.0	61.0	0.43	0.53	0.62	0.398	9.492	6.300	6203 ZZ	6202 ZZ
0.25	0.18	48	1.13	J	4.2	2.1	2.8	0.0358	30	66	15.4	1.35	1150	51.0	59.0	63.0	0.42	0.52	0.62	0.578	9.886	6.693	6203 ZZ	6202 ZZ
0.25	0.18	56	1.12	K	4.5	2.1	3.0	0.0622	37	81	17.0	1.35	1160	52.5	60.0	64.0	0.41	0.51	0.59	0.598	10.315	6.299	6203 ZZ	6202 ZZ
0.33	0.25	48	1.50	J	4.2	1.8	2.4	0.0439	24	53	17.6	1.35	1140	57.0	63.0	66.0	0.46	0.58	0.67	0.710	10.280	7.087	6203 ZZ	6202 ZZ
0.33	0.25	56	1.47	L	5.1	2.2	3.1	0.0710	30	66	18.3	1.35	1160	59.5	64.0	68.0	0.41	0.52	0.61	0.756	10.315	6.299	6203 ZZ	6202 ZZ
0.5	0.37	48	2.28	H	4.4	2.0	2.4	0.0558	19	42	20.7	1.35	1135	60.0	66.0	68.0	0.46	0.58	0.68	1.00	10.673	7.480	6203 ZZ	6202 ZZ
0.5	0.37	56	2.24	K	5.3	2.2	3.0	0.0888	23	51	21.2	1.25	1155	64.0	70.0	72.0	0.43	0.55	0.65	0.992	10.709	6.693	6203 ZZ	6202 ZZ
0.75	0.55	56	3.38	J	5.4	2.0	2.7	0.1153	20	44	25.6	1.15	1150	70.0	74.0	75.5	0.48	0.61	0.71	1.29	11.495	7.480	6203 ZZ	6202 ZZ
1	0.75	56	4.52	J	5.6	2.2	2.7	0.1419	16	35	30.0	1.15	1145	72.0	75.5	77.0	0.49	0.63	0.72	1.70	11.889	7.874	6204 ZZ	6202 ZZ





12.18 General Purpose - TEFC - Premium Efficiency - Three Phase

Output		Frame	Full Load Torque (ft.lb)	Locked Rotor Current		Locked Rotor Torque Tl/Tn	Break-down Torque Tb/Tn	Inertia J (sq. ft.lb)	Allowable locked rotor time (s)		Weight (lb)	Service Factor	Rated speed (rpm)	230 V						Full load current In (A)	C (in)	LC (in)	Bearings						
				HP	kW				Code	ll/ln				Hot	Cold	% of full load			50				75	100	Power Factor			DE	NDE
																Efficiency									50	75	100		
																50	75	100											
II pole																													
0.25	0.18	W56	0.370	M	7.4	3.5	4.0	0.0147	30	66	15.0	1.15	3460	55.0	62.0	66.0	0.60	0.70	0.75	0.456	10.319	5.512	6203 ZZ	6202 ZZ					
0.33	0.25	W56	0.500	M	7.1	3.2	3.7	0.0147	28	62	15.0	1.15	3450	59.5	66.0	70.0	0.61	0.71	0.76	0.590	10.319	5.512	6203 ZZ	6202 ZZ					
0.5	0.37	W56	0.750	L	7.7	3.3	3.6	0.0190	18	40	17.4	1.15	3435	68.0	72.0	74.0	0.64	0.75	0.80	0.784	10.713	5.906	6203 ZZ	6202 ZZ					
0.75	0.55	W56	1.13	L	8.1	3.5	3.6	0.0211	16	35	18.3	1.15	3440	70.0	75.5	77.0	0.62	0.74	0.80	1.12	10.713	5.906	6203 ZZ	6202 ZZ					
1	0.75	W56	1.51	M	8.8	3.6	3.8	0.0254	10	22	20.5	1.15	3435	74.0	77.0	78.5	0.63	0.75	0.80	1.50	11.106	6.300	6203 ZZ	6202 ZZ					
1.5	1.1	56	2.21	L	9.1	2.3	3.0	0.1023	17	37	34.2	1.15	3520	80.0	82.5	84.0	0.71	0.82	0.88	1.87	13.109	7.480	6204 ZZ	6202 ZZ					
2	1.5	56H	2.94	L	9.9	2.5	3.0	0.1279	13	29	40.1	1.15	3520	82.5	85.5	85.5	0.73	0.83	0.89	2.47	13.898	8.268	6204 ZZ	6202 ZZ					
3	2.2	56H	4.44	K	9.5	3.0	3.8	0.1663	10	22	48.1	1.15	3500	84.0	86.5	86.5	0.78	0.87	0.91	3.51	15.079	9.448	6204 ZZ	6202 ZZ					
High-Output Design																													
0.25	0.18	48	0.370	M	7.4	3.5	4.0	0.0147	30	66	15.0	1.15	3460	55.0	62.0	66.0	0.60	0.70	0.75	0.456	9.945	5.512	6203 ZZ	6202 ZZ					
0.33	0.25	48	0.500	M	7.1	3.2	3.7	0.0147	28	62	15.0	1.15	3450	59.5	66.0	70.0	0.61	0.71	0.76	0.590	9.945	5.512	6203 ZZ	6202 ZZ					
0.5	0.37	48	0.750	L	7.7	3.3	3.6	0.0190	18	40	17.4	1.15	3435	68.0	72.0	74.0	0.64	0.75	0.80	0.784	10.339	5.906	6203 ZZ	6202 ZZ					
0.75	0.55	48	1.13	L	8.1	3.5	3.6	0.0211	16	35	18.3	1.15	3440	70.0	75.5	77.0	0.62	0.74	0.80	1.12	10.339	5.906	6203 ZZ	6202 ZZ					
1	0.75	48	1.51	M	8.8	3.6	3.8	0.0254	10	22	20.5	1.15	3435	74.0	77.0	78.5	0.63	0.75	0.80	1.50	10.733	6.300	6203 ZZ	6202 ZZ					
2	1.5	56	2.94	L	9.9	2.5	3.0	0.1279	13	29	40.1	1.15	3520	82.5	85.5	85.5	0.73	0.83	0.89	2.47	13.898	8.267	6204 ZZ	6202 ZZ					
3	2.2	56	4.44	K	9.5	3.0	3.8	0.1663	10	22	48.1	1.15	3500	84.0	86.5	86.5	0.78	0.87	0.91	3.51	15.079	9.449	6204 ZZ	6202 ZZ					
IV pole																													
0.25	0.18	W56	0.740	K	5.6	2.4	3.2	0.0280	28	62	14.6	1.15	1740	59.5	66.0	68.0	0.48	0.60	0.69	0.481	10.319	5.512	6203 ZZ	6202 ZZ					
0.33	0.25	W56	0.980	L	6.2	2.6	3.5	0.0358	22	48	16.5	1.15	1740	66.0	72.0	74.0	0.46	0.58	0.68	0.624	10.713	5.906	6203 ZZ	6202 ZZ					
0.5	0.37	W56	1.50	J	6.4	2.3	3.1	0.0520	20	44	20.9	1.15	1730	74.0	77.0	78.5	0.54	0.67	0.76	0.778	11.500	6.693	6203 ZZ	6202 ZZ					
0.75	0.55	56	2.21	L	7.7	2.4	3.6	0.0842	16	35	30.2	1.15	1760	75.5	80.0	81.5	0.49	0.62	0.71	1.19	12.323	6.693	6203 ZZ	6202 ZZ					
1	0.75	56	2.94	M	8.6	2.8	3.0	0.1232	19	42	37.9	1.15	1765	82.5	84.0	85.5	0.52	0.66	0.75	1.47	13.504	7.874	6204 ZZ	6202 ZZ					
1.5	1.1	56H	4.44	K	8.2	2.7	3.0	0.1101	21	46	37.9	1.15	1750	85.5	86.5	86.5	0.59	0.72	0.79	2.02	13.504	7.874	6204 ZZ	6202 ZZ					
2	1.5	56H	5.94	K	8.2	2.7	3.0	0.1296	15	33	42.3	1.15	1745	85.5	87.5	86.5	0.60	0.73	0.80	2.72	13.898	8.268	6204 ZZ	6202 ZZ					
High-Output Design																													
0.25	0.18	48	0.740	K	5.6	2.4	3.2	0.0280	28	62	14.6	1.15	1740	59.5	66.0	68.0	0.48	0.60	0.69	0.481	9.945	5.512	6203 ZZ	6202 ZZ					
0.33	0.25	48	0.980	L	6.2	2.6	3.5	0.0358	22	48	16.5	1.15	1740	66.0	72.0	74.0	0.46	0.58	0.68	0.624	10.339	5.906	6203 ZZ	6202 ZZ					
0.5	0.37	48	1.50	J	6.4	2.3	3.1	0.0520	20	44	20.9	1.15	1730	74.0	77.0	78.5	0.54	0.67	0.76	0.778	11.126	6.693	6203 ZZ	6202 ZZ					
1.5	1.1	56	4.44	K	8.2	2.7	3.0	0.1101	21	46	37.9	1.15	1750	85.5	86.5	86.5	0.59	0.72	0.79	2.02	13.504	7.874	6204 ZZ	6202 ZZ					
2	1.5	56	5.94	K	8.2	2.7	3.0	0.1296	15	33	42.3	1.15	1745	85.5	87.5	86.5	0.60	0.73	0.80	2.72	13.898	8.267	6204 ZZ	6202 ZZ					
VI pole																													
0.25	0.18	56	1.12	K	4.7	1.9	3.0	0.0710	40	88	25.6	1.15	1160	59.5	66.0	68.0	0.42	0.53	0.62	0.536	11.535	5.906	6203 ZZ	6202 ZZ					
0.33	0.25	56	1.47	L	5.3	2.2	3.3	0.0888	30	66	28.2	1.15	1160	64.0	70.0	72.0	0.41	0.52	0.61	0.714	11.929	6.299	6203 ZZ	6202 ZZ					
0.5	0.37	56	2.23	K	5.6	2.4	3.3	0.1065	26	57	30.9	1.15	1160	68.0	74.0	75.5	0.41	0.53	0.63	0.976	12.323	6.693	6203 ZZ	6202 ZZ					
0.75	0.55	56H	3.35	K	6.5	2.9	3.7	0.1419	40	88	36.2	1.15	1160	77.0	81.5	82.5	0.43	0.55	0.65	1.29	13.110	7.480	6204 ZZ	6202 ZZ					
1	0.75	56H	4.52	J	5.8	2.3	2.8	0.1597	31	68	38.6	1.15	1145	80.0	82.5	82.5	0.50	0.63	0.72	1.58	13.504	7.874	6204 ZZ	6202 ZZ					
High-Output Design																													
0.75	0.55	56	3.35	K	6.5	2.9	3.7	0.1419	40	88	36.2	1.15	1160	77.0	81.5	82.5	0.43	0.55	0.65	1.29	13.109	7.480	6203 ZZ	6202 ZZ					
1	0.75	56	4.52	J	5.8	2.3	2.8	0.1597	31	68	38.6	1.15	1145	80.0	82.5	82.5	0.50	0.63	0.72	1.58	13.504	7.874	6204 ZZ	6202 ZZ					

12.19 Jet Pump - Keyed - ODP - Standard Efficiency - Three Phase

Output		Frame	Full Load Torque (ft.lb)	Locked Rotor Current		Locked Rotor Torque Tl/Tn	Break-down Torque Tb/Tn	Inertia J (sq. ft.lb)	Allowable locked rotor time (s)		Weight (lb)	Service Factor	Rated speed (rpm)	230 V						Full load current In (A)	C (in)	LC (in)	Bearings	
				Code	ll/ln				Hot	Cold				% of full load			Power Factor						DE	NDE
				HP	kW				50	75				100	50	75	100							
II pole																								
0.33	0.25	W56C	0.490	M	6.8	3.3	4.0	0.0126	34	75	13.0	1.75	3470	57.0	63.0	67.0	0.49	0.60	0.69	0.679	9.472	5.906	6203 ZZ	6202 ZZ
0.5	0.37	W56C	0.750	M	6.7	3.3	3.6	0.0147	19	42	13.9	1.60	3470	62.0	68.0	70.0	0.47	0.60	0.69	0.961	9.866	6.300	6203 ZZ	6202 ZZ
0.75	0.55	W56C	1.12	L	6.7	3.3	3.5	0.0169	14	31	15.0	1.50	3455	64.0	70.0	72.0	0.48	0.61	0.71	1.35	9.866	6.300	6203 ZZ	6202 ZZ
1	0.75	W56C	1.50	M	7.6	3.4	3.6	0.0211	12	26	17.2	1.40	3455	70.0	72.0	74.0	0.52	0.66	0.75	1.70	10.260	6.693	6203 ZZ	6202 ZZ
1.5	1.1	W56C	2.25	M	8.0	4.0	4.0	0.0273	9	20	20.3	1.30	3450	72.0	77.0	78.5	0.51	0.65	0.74	2.38	11.047	7.480	6203 ZZ	6202 ZZ
2	1.5	56HC	2.99	J	7.0	2.3	2.5	0.0774	10	22	26.2	1.20	3470	77.0	78.5	78.5	0.66	0.79	0.85	2.82	11.496	7.480	6203 ZZ	6202 ZZ
3	2.2	56HC	4.51	J	7.0	2.2	2.5	0.0959	8	18	30.4	1.15	3450	80.0	81.5	81.5	0.70	0.82	0.87	3.89	12.283	8.268	6203 ZZ	6202 ZZ
High-Output Design																								
0.33	0.25	56C	0.490	M	6.7	2.4	3.2	0.0389	38	84	16.3	1.75	3515	57.5	66.0	68.0	0.54	0.65	0.74	0.624	10.315	6.299	6203 ZZ	6202 ZZ
0.5	0.37	56C	0.740	K	6.2	2.3	2.9	0.0389	33	73	16.5	1.60	3495	59.5	66.0	70.0	0.52	0.65	0.74	0.897	10.315	6.299	6203 ZZ	6202 ZZ
0.75	0.55	56C	1.12	K	6.2	2.1	2.6	0.0453	27	59	18.5	1.50	3475	64.0	68.5	70.0	0.57	0.70	0.79	1.24	10.709	6.693	6203 ZZ	6202 ZZ
1	0.75	56C	1.49	J	6.4	2.2	2.5	0.0517	23	51	19.8	1.40	3470	70.0	74.0	75.5	0.60	0.73	0.81	1.54	10.709	6.693	6203 ZZ	6202 ZZ
1.5	1.1	56C	2.25	J	6.8	2.2	2.6	0.0648	17	37	22.7	1.30	3460	74.0	77.0	77.0	0.65	0.78	0.85	2.11	11.102	7.087	6203 ZZ	6202 ZZ
2	1.5	W56C	3.00	K	7.3	4.0	4.2	0.0337	11	24	23.8	1.20	3450	77.0	80.0	80.0	0.57	0.71	0.80	2.94	11.441	7.874	6203 ZZ	6202 ZZ
2	1.5	56C	2.99	J	7.0	2.3	2.5	0.0774	10	22	26.2	1.20	3470	77.0	78.5	78.5	0.66	0.79	0.85	2.82	11.496	7.480	6203 ZZ	6202 ZZ
3	2.2	56C	4.51	J	7.0	2.2	2.5	0.0959	8	18	30.4	1.15	3450	80.0	81.5	81.5	0.70	0.82	0.87	3.89	12.283	8.268	6203 ZZ	6202 ZZ
IV pole																								
0.16	0.12	W56C	0.480	L	5.1	2.4	3.0	0.0240	46	101	12.6	1.35	1740	50.5	59.5	64.0	0.45	0.55	0.64	0.368	9.472	5.906	6203 ZZ	6202 ZZ
0.25	0.18	W56C	0.750	J	4.7	2.1	2.7	0.0240	30	66	12.6	1.35	1730	52.5	59.5	64.0	0.47	0.58	0.68	0.519	9.472	5.906	6203 ZZ	6202 ZZ
0.33	0.25	W56C	0.990	K	5.0	2.3	2.8	0.0280	23	51	13.7	1.35	1730	55.0	62.0	66.0	0.45	0.57	0.67	0.710	9.866	6.300	6203 ZZ	6202 ZZ
0.5	0.37	W56C	1.50	K	5.4	2.3	2.8	0.0318	15	33	14.8	1.25	1730	59.5	66.0	70.0	0.47	0.60	0.70	0.948	9.866	6.300	6203 ZZ	6202 ZZ
0.75	0.55	W56C	2.25	J	5.9	2.4	2.8	0.0439	10	22	17.6	1.25	1730	66.0	72.0	74.0	0.50	0.63	0.74	1.26	10.654	7.087	6203 ZZ	6202 ZZ
1	0.75	W56C	3.01	K	6.2	2.5	2.8	0.0520	8	18	19.8	1.15	1720	68.0	74.0	75.5	0.52	0.66	0.76	1.64	11.047	7.480	6203 ZZ	6202 ZZ
1.5	1.1	56HC	4.45	K	6.9	2.5	2.8	0.0907	10	22	27.6	1.15	1745	75.5	78.5	80.0	0.51	0.65	0.75	2.30	11.496	7.480	6203 ZZ	6202 ZZ
2	1.5	56HC	5.96	K	6.7	2.4	2.5	0.1037	7	15	30.6	1.15	1740	75.5	78.5	78.5	0.54	0.68	0.77	3.11	11.890	7.874	6203 ZZ	6202 ZZ
3	2.2	56HC	8.96	K	7.1	2.4	2.7	0.1554	7	15	37.0	1.15	1735	80.0	81.5	81.5	0.57	0.71	0.79	4.29	12.283	8.268	6203 ZZ	6202 ZZ
High-Output Design																								
0.25	0.18	56C	0.740	M	5.9	2.3	3.5	0.0389	33	73	15.7	1.35	1760	55.0	62.0	66.0	0.41	0.51	0.60	0.571	9.921	5.906	6204 ZZ	6202 ZZ
0.33	0.25	56C	0.970	L	5.5	2.0	3.1	0.0389	29	64	15.7	1.35	1755	57.5	64.0	68.0	0.43	0.54	0.64	0.721	9.921	5.906	6204 ZZ	6202 ZZ
0.5	0.37	56C	1.48	L	6.0	2.2	2.9	0.0453	23	51	17.4	1.25	1755	64.0	70.0	72.0	0.43	0.56	0.66	0.977	10.315	6.299	6204 ZZ	6202 ZZ
0.75	0.55	56C	2.21	K	6.3	2.3	3.0	0.0584	13	29	20.3	1.25	1755	66.0	72.0	75.5	0.45	0.58	0.68	1.34	10.709	6.693	6204 ZZ	6202 ZZ
1	0.75	56C	2.96	L	6.6	2.5	2.9	0.0712	10	22	23.4	1.15	1750	68.0	74.0	77.0	0.44	0.58	0.68	1.80	10.709	6.693	6204 ZZ	6202 ZZ
1.5	1.1	56C	4.45	K	6.9	2.5	2.8	0.0907	10	22	27.6	1.15	1745	75.5	78.5	80.0	0.51	0.65	0.75	2.30	11.496	7.480	6204 ZZ	6202 ZZ
2	1.5	56C	5.96	K	6.7	2.4	2.5	0.1037	7	15	30.6	1.15	1740	75.5	78.5	78.5	0.54	0.68	0.77	3.11	11.890	7.874	6204 ZZ	6202 ZZ
3	2.2	56C	8.96	K	7.1	2.4	2.7	0.1554	7	15	37.0	1.15	1735	80.0	81.5	81.5	0.57	0.71	0.79	4.29	12.283	8.268	6204 ZZ	6202 ZZ



12.20 Jet Pump - Keyed - ODP - Premium Efficiency - Three Phase

Output		Frame	Full Load Torque (ft.lb)	Locked Rotor Current		Locked Rotor Torque Tl/Tn	Break-down Torque Tb/Tn	Inertia J (sq. ft.lb)	Allowable locked rotor time (s)		Weight (lb)	Service Factor	Rated speed (rpm)	230 V						Full load current In (A)	C (in)	LC (in)	Bearings	
				Code	II/In				Hot	Cold				% of full load			Power Factor							
														50	75	100	50	75	100				DE	NDE
II pole																								
0.33	0.25	W56C	0.500	M	7.0	3.3	3.8	0.0126	35	77	13.0	1.75	3450	57.5	64.0	69.5	0.56	0.67	0.73	0.618	9.472	5.906	6203 ZZ	6202 ZZ
0.5	0.37	W56C	0.750	M	7.3	3.7	4.0	0.0147	24	53	13.9	1.60	3450	62.0	68.0	73.4	0.53	0.65	0.72	0.879	9.866	6.300	6203 ZZ	6202 ZZ
0.75	0.55	W56C	1.13	L	7.8	3.7	4.0	0.0190	18	40	16.1	1.50	3450	68.0	72.0	76.8	0.57	0.69	0.76	1.18	10.260	6.693	6203 ZZ	6202 ZZ
1	0.75	W56C	1.50	M	8.3	4.0	4.1	0.0233	13	29	18.3	1.40	3450	70.0	75.5	77.0	0.55	0.68	0.75	1.63	10.654	7.087	6203 ZZ	6202 ZZ
1.5	1.1	W56C	2.25	L	8.8	4.0	4.3	0.0337	13	29	23.8	1.30	3450	78.5	82.5	84.0	0.59	0.72	0.78	2.11	11.441	7.874	6203 ZZ	6202 ZZ
2	1.5	56HC	2.97	K	8.5	2.6	3.0	0.1156	14	31	36.8	1.20	3485	82.5	84.0	85.5	0.76	0.85	0.88	2.50	12.677	8.661	6203 ZZ	6202 ZZ
3	2.2	56HC	4.47	K	8.5	2.6	3.0	0.1284	9	20	39.9	1.15	3480	84.0	85.5	85.5	0.76	0.86	0.90	3.59	13.071	9.055	6203 ZZ	6202 ZZ
High-Output Design																								
2	1.5	56C	2.97	K	8.5	2.6	3.0	0.1156	14	31	36.8	1.20	3485	82.5	84.0	85.5	0.76	0.85	0.88	2.50	12.677	8.661	6203 ZZ	6202 ZZ
3	2.2	56C	4.47	K	8.5	2.6	3.0	0.1284	9	20	39.9	1.15	3480	84.0	85.5	85.5	0.76	0.86	0.90	3.59	13.071	9.055	6203 ZZ	6202 ZZ
IV pole																								
0.25	0.18	W56C	0.740	K	5.7	2.5	3.4	0.0280	34	75	5.6	1.35	1740	59.5	68.0	70.0	0.46	0.58	0.67	0.482	9.866	6.300	6203 ZZ	6202 ZZ
0.33	0.25	W56C	0.980	L	6.4	2.7	3.6	0.0358	26	57	5.6	1.35	1740	64.0	72.0	74.0	0.47	0.59	0.69	0.615	10.260	6.693	6203 ZZ	6202 ZZ
0.5	0.37	W56C	1.49	K	6.4	2.5	3.2	0.0439	23	51	5.6	1.25	1735	70.0	75.5	78.5	0.53	0.66	0.75	0.789	10.654	7.087	6203 ZZ	6202 ZZ
0.75	0.55	56C	2.21	K	7.3	2.5	3.0	0.0712	21	46	23.4	1.25	1760	74.0	78.5	81.1	0.52	0.65	0.74	1.15	11.102	7.087	6204 ZZ	6202 ZZ
1	0.75	56C	2.94	L	7.6	2.8	3.2	0.0842	17	37	26.2	1.15	1760	78.5	82.5	83.5	0.49	0.63	0.72	1.57	11.496	7.480	6204 ZZ	6202 ZZ
1.5	1.1	56HC	4.42	L	8.8	2.9	3.5	0.1296	14	31	36.8	1.15	1760	84.0	85.5	86.5	0.53	0.66	0.76	2.10	12.677	8.661	6203 ZZ	6202 ZZ
2	1.5	56HC	5.96	K	7.7	2.6	3.2	0.1168	17	37	35.5	1.15	1740	85.5	86.5	86.5	0.61	0.74	0.81	2.69	12.677	8.661	6203 ZZ	6202 ZZ
3	2.2	56HC	8.96	K	7.6	2.7	3.0	0.1419	12	26	43.0	1.15	1735	86.5	86.5	86.9	0.59	0.72	0.80	3.97	13.071	9.055	6203 ZZ	6202 ZZ
High-Output Design																								
0.25	0.18	56C	0.730	M	5.9	2.3	3.3	0.0389	38	84	15.7	1.35	1765	57.5	64.0	69.5	0.41	0.52	0.61	0.533	9.921	5.906	6204 ZZ	6202 ZZ
0.33	0.25	56C	0.970	L	6.2	2.3	3.3	0.0453	36	79	17.4	1.35	1765	62.0	70.0	73.4	0.44	0.55	0.64	0.668	10.315	6.299	6204 ZZ	6202 ZZ
0.5	0.37	56C	1.47	L	7.2	2.4	3.3	0.0584	27	59	20.3	1.25	1765	70.0	75.5	78.2	0.47	0.60	0.69	0.861	10.709	6.693	6204 ZZ	6202 ZZ
1	0.75	56HC	2.94	L	7.6	2.8	3.2	0.0842	17	37	26.2	1.15	1760	78.5	82.5	83.5	0.49	0.63	0.72	1.57	11.496	7.480	6203 ZZ	6202 ZZ
1.5	1.1	56C	4.42	L	8.8	2.9	3.5	0.1296	14	31	36.8	1.15	1760	84.0	85.5	86.5	0.53	0.66	0.76	2.10	12.677	8.661	6204 ZZ	6202 ZZ
2	1.5	56C	5.96	K	7.7	2.6	3.2	0.1168	17	37	35.5	1.15	1740	85.5	86.5	86.5	0.61	0.74	0.81	2.69	12.677	8.661	6204 ZZ	6202 ZZ
3	2.2	56C	8.96	K	7.6	2.7	3.0	0.1419	12	26	43.0	1.15	1735	86.5	86.5	86.9	0.59	0.72	0.80	3.97	13.071	9.055	6204 ZZ	6202 ZZ

12.21 Jet Pump - Keyed - TEFC - Standard Efficiency - Three Phase

Output		Frame	Full Load Torque (ft.lb)	Locked Rotor Current		Locked Rotor Torque TI/Tn	Break-down Torque Tb/Tn	Inertia J (sq. ft.lb)	Allowable locked rotor time (s)		Weight (lb)	Service Factor	Rated speed (rpm)	230 V						Full load current In (A)	C (in)	LC (in)	Bearings	
														% of full load										
														Efficiency			Power Factor							
														50	75	100	50	75	100					
II pole																								
0.25	0.18	W56C	0.380	L	6.0	2.8	3.0	0.0126	34	75	13.5	1.15	3430	48.0	57.5	59.5	0.62	0.71	0.78	0.487	9.925	5.118	6203 ZZ	6202 ZZ
0.33	0.25	W56C	0.500	L	6.1	2.9	3.0	0.0126	28	62	13.5	1.15	3425	52.5	59.5	62.0	0.60	0.70	0.77	0.657	9.925	5.118	6203 ZZ	6202 ZZ
0.5	0.37	W56C	0.760	K	6.3	2.9	2.9	0.0147	20	44	14.3	1.15	3400	59.5	66.0	68.0	0.61	0.73	0.80	0.854	10.319	5.512	6203 ZZ	6202 ZZ
0.75	0.55	W56C	1.14	K	6.9	3.0	3.0	0.0169	14	31	15.2	1.15	3400	66.0	70.0	72.0	0.64	0.76	0.83	1.16	10.319	5.512	6203 ZZ	6202 ZZ
1	0.75	W56C	1.52	L	7.7	3.3	3.2	0.0211	11	24	17.0	1.15	3405	70.0	74.0	74.0	0.66	0.77	0.84	1.51	10.713	5.906	6203 ZZ	6202 ZZ
1.5	1.1	W56C	2.26	L	8.5	3.8	3.7	0.0294	9	20	20.7	1.15	3435	74.0	77.0	77.0	0.64	0.77	0.84	2.13	11.500	6.693	6203 ZZ	6202 ZZ
2	1.5	56HC	2.98	K	7.7	2.3	2.9	0.0963	11	24	30.9	1.15	3475	75.5	78.5	80.0	0.76	0.86	0.90	2.62	13.110	7.480	6203 ZZ	6202 ZZ
3	2.2	56HC	4.47	K	8.5	2.7	2.8	0.1279	6	13	38.1	1.15	3480	80.0	81.5	81.5	0.76	0.86	0.90	3.76	13.898	8.268	6203 ZZ	6202 ZZ
High-Output Design																								
0.25	0.18	56C	0.370	L	6.4	2.5	3.0	0.0389	60	132	17.2	1.15	3475	46.0	52.5	57.5	0.75	0.82	0.86	0.457	11.142	5.512	6203 ZZ	6202 ZZ
0.33	0.25	56C	0.490	L	6.4	2.5	3.0	0.0389	40	88	17.2	1.15	3485	48.0	57.5	62.0	0.72	0.79	0.84	0.602	11.142	5.512	6203 ZZ	6202 ZZ
0.5	0.37	56C	0.740	L	7.0	2.6	3.0	0.0453	35	77	19.0	1.15	3500	55.0	62.0	68.0	0.67	0.75	0.81	0.843	11.535	5.906	6203 ZZ	6202 ZZ
0.75	0.55	56C	1.12	K	7.0	2.5	2.9	0.0517	23	51	20.3	1.15	3475	62.0	68.0	72.0	0.70	0.79	0.85	1.13	11.535	5.906	6203 ZZ	6202 ZZ
1	0.75	56C	1.49	K	7.2	2.4	2.9	0.0643	24	53	23.4	1.15	3480	66.0	72.0	74.0	0.68	0.79	0.84	1.51	11.929	6.299	6203 ZZ	6202 ZZ
1.5	1.1	56C	2.25	J	7.2	2.4	2.7	0.0771	12	26	26.0	1.15	3460	72.0	75.5	77.0	0.76	0.85	0.90	1.99	12.323	6.693	6203 ZZ	6202 ZZ
2	1.5	56C	2.98	K	7.7	2.3	2.9	0.0963	11	24	30.9	1.15	3475	75.5	78.5	80.0	0.76	0.86	0.90	2.62	13.114	7.480	6203 ZZ	6202 ZZ
3	2.2	56C	4.47	K	8.5	2.7	2.8	0.1279	6	13	38.1	1.15	3480	80.0	81.5	81.5	0.76	0.86	0.90	3.76	13.901	8.268	6203 ZZ	6202 ZZ
IV pole																								
0.16	0.12	W56C	0.480	L	5.1	2.4	2.9	0.0240	43	95	13.5	1.15	1735	50.5	59.5	62.0	0.48	0.58	0.67	0.363	9.925	5.118	6203 ZZ	6202 ZZ
0.25	0.18	W56C	0.750	K	5.3	2.4	2.9	0.0280	30	66	14.3	1.15	1735	55.0	62.0	66.0	0.48	0.59	0.68	0.503	10.319	5.512	6203 ZZ	6202 ZZ
0.33	0.25	W56C	0.990	K	5.4	2.3	2.7	0.0318	21	46	15.2	1.15	1730	57.5	64.0	68.0	0.48	0.60	0.70	0.659	10.319	5.512	6203 ZZ	6202 ZZ
0.5	0.37	W56C	1.50	K	6.0	2.6	2.8	0.0399	16	35	17.0	1.15	1730	62.0	70.0	72.0	0.49	0.62	0.72	0.896	10.713	5.906	6203 ZZ	6202 ZZ
0.75	0.55	W56C	2.25	K	6.5	2.7	2.9	0.0479	12	26	18.7	1.15	1730	68.0	74.0	75.5	0.52	0.65	0.75	1.22	11.106	6.300	6203 ZZ	6202 ZZ
1	0.75	W56C	3.00	K	6.9	2.9	2.9	0.0598	9	20	21.6	1.15	1725	70.0	75.5	77.0	0.53	0.66	0.76	1.61	11.894	7.087	6203 ZZ	6202 ZZ
1.5	1.1	56HC	4.44	K	7.5	2.5	3.0	0.1037	9	20	31.3	1.15	1750	77.0	80.0	81.5	0.54	0.67	0.76	2.23	13.110	7.480	6203 ZZ	6202 ZZ
2	1.5	56HC	5.94	K	7.3	2.4	2.7	0.1232	8	18	35.9	1.15	1745	80.0	81.5	82.5	0.58	0.72	0.80	2.85	13.504	7.874	6203 ZZ	6202 ZZ
High-Output Design																								
0.25	0.18	56C	0.730	M	6.3	2.4	3.0	0.0453	38	84	18.1	1.15	1765	57.5	66.0	70.0	0.43	0.54	0.62	0.521	11.142	5.512	6204 ZZ	6202 ZZ
0.33	0.25	56C	0.970	M	7.1	2.3	3.0	0.0517	31	68	19.4	1.15	1765	64.0	72.0	74.0	0.47	0.58	0.68	0.624	11.535	5.906	6204 ZZ	6202 ZZ
0.5	0.37	56C	1.47	L	7.0	2.4	3.0	0.0584	20	44	20.9	1.15	1760	68.0	74.0	77.0	0.48	0.61	0.70	0.862	11.535	5.906	6204 ZZ	6202 ZZ
0.75	0.55	56C	2.21	K	6.9	2.4	3.0	0.0648	17	37	22.5	1.15	1755	72.0	77.0	78.5	0.48	0.61	0.72	1.22	11.929	6.299	6204 ZZ	6202 ZZ
1	0.75	56C	2.94	M	7.7	2.7	3.0	0.0842	12	26	26.9	1.15	1760	74.0	78.5	80.0	0.48	0.62	0.71	1.66	12.323	6.693	6204 ZZ	6202 ZZ
1.5	1.1	56C	4.44	K	7.5	2.5	3.0	0.1037	9	20	31.3	1.15	1750	77.0	80.0	81.5	0.54	0.67	0.76	2.23	13.114	7.480	6204 ZZ	6202 ZZ
2	1.5	56C	5.94	K	7.3	2.4	2.7	0.1232	8	18	35.9	1.15	1745	80.0	81.5	82.5	0.58	0.72	0.80	2.85	13.508	7.874	6204 ZZ	6202 ZZ

12.22 Jet Pump - Keyed - TEFC - Premium Efficiency - Three Phase

Output		Frame	Full Load Torque (ft.lb)	Locked Rotor Current		Locked Rotor Torque TI/Tn	Break-down Torque Tb/Tn	Inertia J (sq. ft.lb)	Allowable locked rotor time (s)		Weight (lb)	Service Factor	Rated speed (rpm)	230 V						Full load current In (A)	C (in)	LC (in)	Bearings	
														% of full load										
														Efficiency			Power Factor							
														50	75	100	50	75	100					
II pole																								
0.25	0.18	W56C	0.370	M	7.4	3.5	4.0	0.0147	30	66	15.0	1.15	3460	55.0	62.0	66.0	0.60	0.70	0.75	0.456	10.319	5.512	6203 ZZ	6202 ZZ
0.33	0.25	W56C	0.500	L	7.1	3.2	3.7	0.0147	28	62	15.0	1.15	3450	59.5	66.0	72.0	0.61	0.71	0.76	0.573	10.319	5.512	6203 ZZ	6202 ZZ
0.5	0.37	W56C	0.750	L	7.7	3.3	3.6	0.0190	18	40	17.4	1.15	3435	68.0	72.0	74.0	0.64	0.75	0.80	0.784	10.713	5.906	6203 ZZ	6202 ZZ
0.75	0.55	W56C	1.13	L	8.1	3.5	3.6	0.0211	16	35	18.3	1.15	3440	70.0	75.5	77.0	0.62	0.74	0.80	1.12	10.713	5.906	6203 ZZ	6202 ZZ
1	0.75	W56C	1.51	M	8.8	3.6	3.8	0.0254	10	22	20.5	1.15	3435	74.0	77.0	78.5	0.63	0.75	0.80	1.50	11.106	6.300	6203 ZZ	6202 ZZ
1.5	1.1	56C	2.21	L	9.1	2.3	3.0	0.1023	17	37	34.2	1.15	3520	80.0	82.5	84.0	0.71	0.82	0.88	1.87	13.114	7.480	6203 ZZ	6202 ZZ
2	1.5	56HC	2.94	L	9.9	2.5	3.0	0.1279	13	29	40.1	1.15	3520	82.5	85.5	85.5	0.73	0.83	0.89	2.47	13.898	8.268	6203 ZZ	6202 ZZ
3	2.2	56HC	4.44	K	9.5	3.0	3.8	0.1663	10	22	48.1	1.15	3500	84.0	86.5	86.5	0.78	0.87	0.91	3.51	15.079	9.448	6203 ZZ	6202 ZZ
IV pole																								
0.25	0.18	W56C	0.740	K	5.6	2.4	3.2	0.0280	28	62	14.6	1.15	1740	59.5	66.0	70.0	0.48	0.60	0.69	0.468	10.319	5.512	6203 ZZ	6202 ZZ
0.33	0.25	W56C	0.980	L	6.2	2.6	3.5	0.0358	22	48	16.5	1.15	1740	66.0	72.0	74.0	0.46	0.58	0.68	0.624	10.713	5.906	6203 ZZ	6202 ZZ
0.5	0.37	W56C	1.50	J	6.4	2.3	3.1	0.0520	20	44	20.9	1.15	1730	74.0	77.0	78.5	0.54	0.67	0.76	0.778	11.500	6.693	6203 ZZ	6202 ZZ
0.75	0.55	56C	2.21	L	7.7	2.4	3.6	0.0842	16	35	30.2	1.15	1760	75.5	80.0	81.5	0.49	0.62	0.71	1.19	12.323	6.693	6204 ZZ	6202 ZZ
1	0.75	56C	2.94	M	8.6	2.8	3.0	0.1232	19	42	37.9	1.15	1765	82.5	84.0	85.5	0.52	0.66	0.75	1.47	13.508	7.874	6204 ZZ	6202 ZZ
1.5	1.1	56HC	4.44	K	8.2	2.7	3.0	0.1101	21	46	37.9	1.15	1750	85.5	86.5	86.5	0.59	0.72	0.79	2.02	13.504	7.874	6203 ZZ	6202 ZZ
2	1.5	56HC	5.94	K	8.2	2.7	3.0	0.1296	15	33	42.3	1.15	1745	85.5	87.5	86.5	0.60	0.73	0.80	2.72	13.898	8.268	6203 ZZ	6202 ZZ



12.23 Jet Pump - Threaded - ODP - Standard Efficiency - Three Phase

Output		Frame	Full Load Torque (ft.lb)	Locked Rotor Current		Locked Rotor Torque Tl/Tn	Break-down Torque Tb/Tn	Inertia J (sq. ft.lb)	Allowable locked rotor time (s)		Weight (lb)	Service Factor	Rated speed (rpm)	230 V						Full load current In (A)	C (in)	LC (in)	Bearings				
				HP	kW				Code	ll/ln				Hot	Cold	% of full load			Efficiency				Power Factor			DE	NDE
																50	75	100					50	75	100		
II pole																											
0.33	0.25	W56J	0.490	M	6.8	3.3	4.0	0.0126	34	75	13.0	1.75	3470	57.0	63.0	67.0	0.49	0.60	0.69	0.679	9.972	5.906	6203 ZZ	6202 ZZ			
0.5	0.37	W56J	0.750	M	6.7	3.3	3.6	0.0147	19	42	13.9	1.60	3470	62.0	68.0	70.0	0.47	0.60	0.69	0.961	10.555	6.300	6203 ZZ	6202 ZZ			
0.75	0.55	W56J	1.12	L	6.7	3.3	3.5	0.0169	14	31	15.0	1.50	3455	64.0	70.0	72.0	0.48	0.61	0.71	1.35	10.555	6.300	6203 ZZ	6202 ZZ			
1	0.75	W56J	1.50	M	7.6	3.4	3.6	0.0211	12	26	17.2	1.40	3455	70.0	72.0	74.0	0.52	0.66	0.75	1.70	10.949	6.693	6203 ZZ	6202 ZZ			
1.5	1.1	W56J	2.25	M	8.0	4.0	4.0	0.0273	9	20	20.3	1.30	3450	72.0	77.0	78.5	0.51	0.65	0.74	2.38	11.736	7.480	6203 ZZ	6202 ZZ			
2	1.5	56HJ	2.99	J	7.0	2.3	2.5	0.0774	10	22	26.2	1.20	3470	77.0	78.5	78.5	0.66	0.79	0.85	2.82	12.008	7.480	6203 ZZ	6202 ZZ			
3	2.2	56HJ	4.51	J	7.0	2.2	2.5	0.0959	8	18	30.4	1.15	3450	80.0	81.5	81.5	0.70	0.82	0.87	3.89	12.795	8.268	6203 ZZ	6202 ZZ			
High-Output Design																											
0.33	0.25	56J	0.490	M	6.7	2.4	3.2	0.0389	38	84	16.3	1.75	3515	57.5	66.0	68.0	0.54	0.65	0.74	0.624	10.827	6.299	6203 ZZ	6202 ZZ			
0.5	0.37	56J	0.740	K	6.2	2.3	2.9	0.0389	33	73	16.5	1.60	3495	59.5	66.0	70.0	0.52	0.65	0.74	0.897	10.827	6.299	6203 ZZ	6202 ZZ			
0.75	0.55	56J	1.12	K	6.2	2.1	2.6	0.0453	27	59	18.5	1.50	3475	64.0	68.5	70.0	0.57	0.70	0.79	1.24	11.220	6.693	6203 ZZ	6202 ZZ			
1	0.75	56J	1.49	J	6.4	2.2	2.5	0.0517	23	51	19.8	1.40	3470	70.0	74.0	75.5	0.60	0.73	0.81	1.54	11.220	6.693	6203 ZZ	6202 ZZ			
1.5	1.1	56J	2.25	J	6.8	2.2	2.6	0.0648	17	37	22.7	1.30	3460	74.0	77.0	77.0	0.65	0.78	0.85	2.11	11.614	7.087	6203 ZZ	6202 ZZ			
2	1.5	W56J	3.00	K	7.3	4.0	4.2	0.0337	11	24	23.8	1.20	3450	77.0	80.0	80.0	0.57	0.71	0.80	2.94	11.941	7.874	6203 ZZ	6202 ZZ			
2	1.5	56J	2.99	J	7.0	2.3	2.5	0.0774	10	22	26.2	1.20	3470	77.0	78.5	78.5	0.66	0.79	0.85	2.82	12.008	7.480	6203 ZZ	6202 ZZ			
3	2.2	56J	4.51	J	7.0	2.2	2.5	0.0959	8	18	30.4	1.15	3450	80.0	81.5	81.5	0.70	0.82	0.87	3.89	12.795	8.268	6203 ZZ	6202 ZZ			
IV pole																											
0.16	0.12	W56J	0.480	L	5.1	2.4	3.0	0.0240	46	101	12.6	1.35	1740	50.5	59.5	64.0	0.45	0.55	0.64	0.368	9.972	5.906	6203 ZZ	6202 ZZ			
0.25	0.18	W56J	0.750	J	4.7	2.1	2.7	0.0240	30	66	12.6	1.35	1730	52.5	59.5	64.0	0.47	0.58	0.68	0.519	9.972	5.906	6203 ZZ	6202 ZZ			
0.33	0.25	W56J	0.990	K	5.0	2.3	2.8	0.0280	23	51	13.7	1.35	1730	55.0	62.0	66.0	0.45	0.57	0.67	0.710	10.555	6.300	6203 ZZ	6202 ZZ			
0.5	0.37	W56J	1.50	K	5.4	2.3	2.8	0.0318	15	33	14.8	1.25	1730	59.5	66.0	70.0	0.47	0.60	0.70	0.948	10.555	6.300	6203 ZZ	6202 ZZ			
0.75	0.55	W56J	2.25	J	5.9	2.4	2.8	0.0439	10	22	17.6	1.25	1730	66.0	72.0	74.0	0.50	0.63	0.74	1.26	11.343	7.087	6203 ZZ	6202 ZZ			
1	0.75	W56J	3.01	K	6.2	2.5	2.8	0.0520	8	18	19.8	1.15	1720	68.0	74.0	75.5	0.52	0.66	0.76	1.64	11.736	7.480	6203 ZZ	6202 ZZ			
1.5	1.1	56HJ	4.45	K	6.9	2.5	2.8	0.0907	10	22	27.6	1.15	1745	75.5	78.5	80.0	0.51	0.65	0.75	2.30	12.008	7.480	6203 ZZ	6202 ZZ			
2	1.5	56HJ	5.96	K	6.7	2.4	2.5	0.1037	7	15	30.6	1.15	1740	75.5	78.5	78.5	0.54	0.68	0.77	3.11	12.402	7.874	6203 ZZ	6202 ZZ			
High-Output Design																											
0.25	0.18	56J	0.740	M	5.9	2.3	3.5	0.0389	33	73	15.7	1.35	1760	55.0	62.0	66.0	0.41	0.51	0.60	0.571	10.433	5.906	6204 ZZ	6202 ZZ			
0.33	0.25	56J	0.970	L	5.5	2.0	3.1	0.0389	29	64	15.7	1.35	1755	57.5	64.0	68.0	0.43	0.54	0.64	0.721	10.433	5.906	6204 ZZ	6202 ZZ			
0.5	0.37	56J	1.48	L	6.0	2.2	2.9	0.0453	23	51	17.4	1.25	1755	64.0	70.0	72.0	0.43	0.56	0.66	0.977	10.827	6.299	6204 ZZ	6202 ZZ			
0.75	0.55	56J	2.21	K	6.3	2.3	3.0	0.0584	13	29	20.3	1.25	1755	66.0	72.0	75.5	0.45	0.58	0.68	1.34	11.220	6.693	6204 ZZ	6202 ZZ			
1	0.75	56J	2.96	L	6.6	2.5	2.9	0.0712	10	22	23.4	1.15	1750	68.0	74.0	77.0	0.44	0.58	0.68	1.80	11.220	6.693	6204 ZZ	6202 ZZ			
1.5	1.1	56J	4.45	K	6.9	2.5	2.8	0.0907	10	22	27.6	1.15	1745	75.5	78.5	80.0	0.51	0.65	0.75	2.30	12.008	7.480	6204 ZZ	6202 ZZ			
2	1.5	56J	5.96	K	6.7	2.4	2.5	0.1037	7	15	30.6	1.15	1740	75.5	78.5	78.5	0.54	0.68	0.77	3.11	12.402	7.874	6204 ZZ	6202 ZZ			

12.24 Jet Pump - Threaded - ODP - Premium Efficiency - Three Phase

Output		Frame	Full Load Torque (ft.lb)	Locked Rotor Current		Locked Rotor Torque Tl/Tn	Break-down Torque Tb/Tn	Inertia J (sq. ft.lb)	Allowable locked rotor time (s)		Weight (lb)	Service Factor	Rated speed (rpm)	230 V						Full load current In (A)	C (in)	LC (in)	Bearings						
				HP	kW				Code	ll/ln				Hot	Cold	% of full load			50				75	100	Power Factor			DE	NDE
																Efficiency									50	75	100		
																50	75	100											
II pole																													
0.33	0.25	W56J	0.500	M	7.0	3.3	3.8	0.0126	35	77	13.0	1.75	3450	57.5	64.0	69.5	0.56	0.67	0.73	0.618	9.972	5.906	6203 ZZ	6202 ZZ					
0.5	0.37	W56J	0.750	M	7.3	3.7	4.0	0.0147	24	53	13.9	1.60	3450	62.0	68.0	73.4	0.53	0.65	0.72	0.879	10.555	6.300	6203 ZZ	6202 ZZ					
0.75	0.55	W56J	1.13	L	7.8	3.7	4.0	0.0190	18	40	16.1	1.50	3450	68.0	72.0	76.8	0.57	0.69	0.76	1.18	10.949	6.693	6203 ZZ	6202 ZZ					
1	0.75	W56J	1.50	M	8.3	4.0	4.1	0.0233	13	29	18.3	1.40	3450	70.0	75.5	77.0	0.55	0.68	0.75	1.63	11.343	7.087	6203 ZZ	6202 ZZ					
1.5	1.1	W56J	2.25	L	8.8	4.0	4.3	0.0337	13	29	23.8	1.30	3450	78.5	82.5	84.0	0.59	0.72	0.78	2.11	11.941	7.874	6203 ZZ	6202 ZZ					
2	1.5	56HJ	2.97	K	8.5	2.6	3.0	0.1156	14	31	36.8	1.20	3485	82.5	84.0	85.5	0.76	0.85	0.88	2.50	13.189	8.661	6203 ZZ	6202 ZZ					
3	2.2	56HJ	4.47	K	8.5	2.6	3.0	0.1284	9	20	39.9	1.15	3480	84.0	85.5	85.5	0.76	0.86	0.90	3.59	13.583	9.055	6203 ZZ	6202 ZZ					
High-Output Design																													
2	1.5	56J	2.97	K	8.5	2.6	3.0	0.1156	14	31	36.8	1.20	3485	82.5	84.0	85.5	0.76	0.85	0.88	2.50	13.189	8.661	6203 ZZ	6202 ZZ					
3	2.2	56J	4.47	K	8.5	2.6	3.0	0.1284	9	20	39.9	1.15	3480	84.0	85.5	85.5	0.76	0.86	0.90	3.59	13.583	9.055	6203 ZZ	6202 ZZ					
IV pole																													
0.25	0.18	W56J	0.740	K	5.7	2.5	3.4	0.0280	34	75	5.6	1.35	1740	59.5	68.0	70.0	0.46	0.58	0.67	0.482	10.555	6.300	6203 ZZ	6202 ZZ					
0.33	0.25	W56J	0.980	L	6.4	2.7	3.6	0.0358	26	57	5.6	1.35	1740	64.0	72.0	74.0	0.47	0.59	0.69	0.615	10.949	6.693	6203 ZZ	6202 ZZ					
0.5	0.37	W56J	1.49	K	6.4	2.5	3.2	0.0439	23	51	5.6	1.25	1735	70.0	75.5	78.5	0.53	0.66	0.75	0.789	11.343	7.087	6203 ZZ	6202 ZZ					
0.75	0.55	56J	2.21	K	7.3	2.5	3.0	0.0712	21	46	23.4	1.25	1760	74.0	78.5	81.1	0.52	0.65	0.74	1.15	11.614	7.087	6204 ZZ	6202 ZZ					
1	0.75	56J	2.94	L	7.6	2.8	3.2	0.0842	17	37	26.2	1.15	1760	78.5	82.5	83.5	0.49	0.63	0.72	1.57	12.008	7.480	6204 ZZ	6202 ZZ					
1.5	1.1	56HJ	4.42	L	8.8	2.9	3.5	0.1296	14	31	36.8	1.15	1760	84.0	85.5	86.5	0.53	0.66	0.76	2.10	13.189	8.661	6203 ZZ	6202 ZZ					
2	1.5	56HJ	5.96	K	7.7	2.6	3.2	0.1168	17	37	35.5	1.15	1740	85.5	86.5	86.5	0.61	0.74	0.81	2.69	13.189	8.661	6203 ZZ	6202 ZZ					
High-Output Design																													
0.25	0.18	56J	0.730	M	5.9	2.3	3.3	0.0389	38	84	15.7	1.35	1765	57.5	64.0	69.5	0.41	0.52	0.61	0.533	10.433	5.906	6204 ZZ	6202 ZZ					
0.33	0.25	56J	0.970	L	6.2	2.3	3.3	0.0453	36	79	17.4	1.35	1765	62.0	70.0	73.4	0.44	0.55	0.64	0.668	10.827	6.299	6204 ZZ	6202 ZZ					
0.5	0.37	56J	1.47	L	7.2	2.4	3.3	0.0584	27	59	20.3	1.25	1765	70.0	75.5	78.2	0.47	0.60	0.69	0.861	11.220	6.693	6204 ZZ	6202 ZZ					
1	0.75	56HJ	2.94	L	7.6	2.8	3.2	0.0842	17	37	26.2	1.15	1760	78.5	82.5	83.5	0.49	0.63	0.72	1.57	12.008	7.480	6203 ZZ	6202 ZZ					
1.5	1.1	56J	4.42	L	8.8	2.9	3.5	0.1296	14	31	36.8	1.15	1760	84.0	85.5	86.5	0.53	0.66	0.76	2.10	13.189	8.661	6204 ZZ	6202 ZZ					
2	1.5	56J	5.96	K	7.7	2.6	3.2	0.1168	17	37	35.5	1.15	1740	85.5	86.5	86.5	0.61	0.74	0.81	2.69	13.189	8.661	6204 ZZ	6202 ZZ					



12.25 Jet Pump - Threaded - TEFC - Standard Efficiency - Three Phase

Output		Frame	Full Load Torque (ft.lb)	Locked Rotor Current		Locked Rotor Torque TI/Tn	Break-down Torque Tb/Tn	Inertia J (sq. ft.lb)	Allowable locked rotor time (s)		Weight (lb)	Service Factor	Rated speed (rpm)	230 V						Full load current In (A)	C (in)	LC (in)	Bearings		
				Code	II/In				Hot	Cold				% of full load			Efficiency	Power Factor					DE	NDE	
														50	75	100		50	75						100
II pole																									
0.25	0.18	W56J	0.380	L	6.0	2.8	3.0	0.0126	34	75	13.5	1.15	3430	48.0	57.5	59.5	0.62	0.71	0.78	0.487	10.425	5.118	6203 ZZ	6202 ZZ	
0.33	0.25	W56J	0.500	L	6.1	2.9	3.0	0.0126	28	62	13.5	1.15	3425	52.5	59.5	62.0	0.60	0.70	0.77	0.657	10.425	5.118	6203 ZZ	6202 ZZ	
0.5	0.37	W56J	0.760	K	6.3	2.9	2.9	0.0147	20	44	14.3	1.15	3400	59.5	66.0	68.0	0.61	0.73	0.80	0.854	10.819	5.512	6203 ZZ	6202 ZZ	
0.75	0.55	W56J	1.14	K	6.9	3.0	3.0	0.0169	14	31	15.2	1.15	3400	66.0	70.0	72.0	0.64	0.76	0.83	1.16	10.819	5.512	6203 ZZ	6202 ZZ	
1	0.75	W56J	1.52	L	7.7	3.3	3.2	0.0211	11	24	17.0	1.15	3405	70.0	74.0	74.0	0.66	0.77	0.84	1.51	11.213	5.906	6203 ZZ	6202 ZZ	
1.5	1.1	W56J	2.26	L	8.5	3.8	3.7	0.0294	9	20	20.7	1.15	3435	74.0	77.0	77.0	0.64	0.77	0.84	2.13	12.000	6.693	6203 ZZ	6202 ZZ	
2	1.5	56HJ	2.98	K	7.7	2.3	2.9	0.0963	11	24	30.9	1.15	3475	75.5	78.5	80.0	0.76	0.86	0.90	2.62	13.622	7.480	6203 ZZ	6202 ZZ	
3	2.2	56HJ	4.47	K	8.5	2.7	2.8	0.1279	6	13	38.1	1.15	3480	80.0	81.5	81.5	0.76	0.86	0.90	3.76	14.409	8.268	6203 ZZ	6202 ZZ	
High-Output Design																									
0.25	0.18	56J	0.370	L	6.4	2.5	3.0	0.0389	60	132	17.2	1.15	3475	46.0	52.5	57.5	0.75	0.82	0.86	0.457	11.654	5.512	6203 ZZ	6202 ZZ	
0.33	0.25	56J	0.490	L	6.4	2.5	3.0	0.0389	40	88	17.2	1.15	3485	48.0	57.5	62.0	0.72	0.79	0.84	0.602	11.654	5.512	6203 ZZ	6202 ZZ	
0.5	0.37	56J	0.740	L	7.0	2.6	3.0	0.0453	35	77	19.0	1.15	3500	55.0	62.0	68.0	0.67	0.75	0.81	0.843	12.047	5.906	6203 ZZ	6202 ZZ	
0.75	0.55	56J	1.12	K	7.0	2.5	2.9	0.0517	23	51	20.3	1.15	3475	62.0	68.0	72.0	0.70	0.79	0.85	1.13	12.047	5.906	6203 ZZ	6202 ZZ	
1	0.75	56J	1.49	K	7.2	2.4	2.9	0.0643	24	53	23.4	1.15	3480	66.0	72.0	74.0	0.68	0.79	0.84	1.51	12.441	6.299	6203 ZZ	6202 ZZ	
1.5	1.1	56J	2.25	J	7.2	2.4	2.7	0.0771	12	26	26.0	1.15	3460	72.0	75.5	77.0	0.76	0.85	0.90	1.99	12.835	6.693	6203 ZZ	6202 ZZ	
2	1.5	56J	2.98	K	7.7	2.3	2.9	0.0963	11	24	30.9	1.15	3475	75.5	78.5	80.0	0.76	0.86	0.90	2.62	13.622	7.480	6203 ZZ	6202 ZZ	
3	2.2	56J	4.47	K	8.5	2.7	2.8	0.1279	6	13	38.1	1.15	3480	80.0	81.5	81.5	0.76	0.86	0.90	3.76	14.409	8.268	6203 ZZ	6202 ZZ	
IV pole																									
0.16	0.12	W56J	0.480	L	5.1	2.4	2.9	0.0240	43	95	13.5	1.15	1735	50.5	59.5	62.0	0.48	0.58	0.67	0.363	10.425	5.118	6203 ZZ	6202 ZZ	
0.25	0.18	W56J	0.750	K	5.3	2.4	2.9	0.0280	30	66	14.3	1.15	1735	55.0	62.0	66.0	0.48	0.59	0.68	0.503	10.819	5.512	6203 ZZ	6202 ZZ	
0.33	0.25	W56J	0.990	K	5.4	2.3	2.7	0.0318	21	46	15.2	1.15	1730	57.5	64.0	68.0	0.48	0.60	0.70	0.659	10.819	5.512	6203 ZZ	6202 ZZ	
0.5	0.37	W56J	1.50	K	6.0	2.6	2.8	0.0399	16	35	17.0	1.15	1730	62.0	70.0	72.0	0.49	0.62	0.72	0.896	11.213	5.906	6203 ZZ	6202 ZZ	
0.75	0.55	W56J	2.25	K	6.5	2.7	2.9	0.0479	12	26	18.7	1.15	1730	68.0	74.0	75.5	0.52	0.65	0.75	1.22	11.606	6.300	6203 ZZ	6202 ZZ	
1	0.75	W56J	3.00	K	6.9	2.9	2.9	0.0598	9	20	21.6	1.15	1725	70.0	75.5	77.0	0.53	0.66	0.76	1.61	12.394	7.087	6203 ZZ	6202 ZZ	
1.5	1.1	56HJ	4.44	K	7.5	2.5	3.0	0.1037	9	20	31.3	1.15	1750	77.0	80.0	81.5	0.54	0.67	0.76	2.23	13.622	7.480	6203 ZZ	6202 ZZ	
2	1.5	56HJ	5.94	K	7.3	2.4	2.7	0.1232	8	18	35.9	1.15	1745	80.0	81.5	82.5	0.58	0.72	0.80	2.85	14.016	7.874	6203 ZZ	6202 ZZ	
High-Output Design																									
0.25	0.18	56J	0.730	M	6.3	2.4	3.0	0.0453	38	84	18.1	1.15	1765	57.5	66.0	70.0	0.43	0.54	0.62	0.521	11.654	5.512	6204 ZZ	6202 ZZ	
0.33	0.25	56J	0.970	M	7.1	2.3	3.0	0.0517	31	68	19.4	1.15	1765	64.0	72.0	74.0	0.47	0.58	0.68	0.624	12.047	5.906	6204 ZZ	6202 ZZ	
0.5	0.37	56J	1.47	L	7.0	2.4	3.0	0.0584	20	44	20.9	1.15	1760	68.0	74.0	77.0	0.48	0.61	0.70	0.862	12.047	5.906	6204 ZZ	6202 ZZ	
0.75	0.55	56J	2.21	K	6.9	2.4	3.0	0.0648	17	37	22.5	1.15	1755	72.0	77.0	78.5	0.48	0.61	0.72	1.22	12.441	6.299	6204 ZZ	6202 ZZ	
1	0.75	56J	2.94	M	7.7	2.7	3.0	0.0842	12	26	26.9	1.15	1760	74.0	78.5	80.0	0.48	0.62	0.71	1.66	12.835	6.693	6204 ZZ	6202 ZZ	
1.5	1.1	56J	4.44	K	7.5	2.5	3.0	0.1037	9	20	31.3	1.15	1750	77.0	80.0	81.5	0.54	0.67	0.76	2.23	13.622	7.480	6204 ZZ	6202 ZZ	
2	1.5	56J	5.94	K	7.3	2.4	2.7	0.1232	8	18	35.9	1.15	1745	80.0	81.5	82.5	0.58	0.72	0.80	2.85	14.016	7.874	6204 ZZ	6202 ZZ	

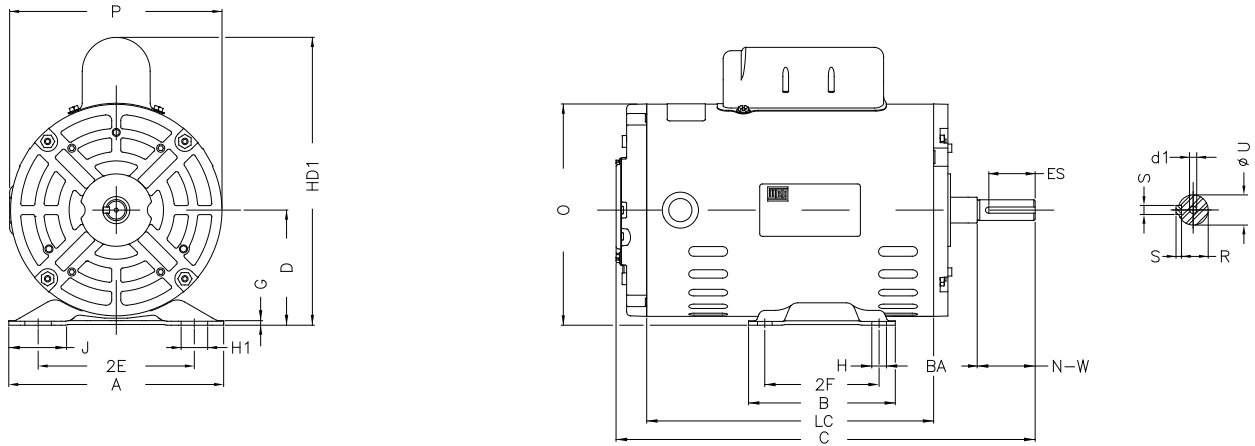
12.26 Jet Pump - Threaded - TEFC - Premium Efficiency - Three Phase

Output		Frame	Full Load Torque (ft.lb)	Locked Rotor Current		Locked Rotor Torque Tl/Tn	Break-down Torque Tb/Tn	Inertia J (sq. ft.lb)	Allowable locked rotor time (s)		Weight (lb)	Service Factor	Rated speed (rpm)	230 V						Full load current In (A)	C (in)	LC (in)	Bearings							
				HP	kW				Code	II/In				Hot	Cold	% of full load			50				75	100	Power Factor			DE	NDE	
																Efficiency	50	75							100	50	75			100
II pole																														
0.25	0.18	W56J	0.370	M	7.4	3.5	4.0	0.0147	30	66	15.0	1.15	3460	55.0	62.0	66.0	0.60	0.70	0.75	0.456	10.319	5.512	6203 ZZ	6202 ZZ						
0.33	0.25	W56J	0.500	L	7.1	3.2	3.7	0.0147	28	62	15.0	1.15	3450	59.5	66.0	72.0	0.61	0.71	0.76	0.573	10.319	5.512	6203 ZZ	6202 ZZ						
0.5	0.37	W56J	0.750	L	7.7	3.3	3.6	0.0190	18	40	17.4	1.15	3435	68.0	72.0	74.0	0.64	0.75	0.80	0.784	11.213	5.906	6203 ZZ	6202 ZZ						
0.75	0.55	W56J	1.13	L	8.1	3.5	3.6	0.0211	16	35	18.3	1.15	3440	70.0	75.5	77.0	0.62	0.74	0.80	1.12	11.213	5.906	6203 ZZ	6202 ZZ						
1	0.75	W56J	1.51	M	8.8	3.6	3.8	0.0254	10	22	20.5	1.15	3435	74.0	77.0	78.5	0.63	0.75	0.80	1.50	11.606	6.300	6203 ZZ	6202 ZZ						
1.5	1.1	56J	2.21	L	9.1	2.3	3.0	0.1023	17	37	34.2	1.15	3520	80.0	82.5	84.0	0.71	0.82	0.88	1.87	13.622	7.480	6203 ZZ	6202 ZZ						
2	1.5	56HJ	2.94	L	9.9	2.5	3.0	0.1279	13	29	40.1	1.15	3520	82.5	85.5	85.5	0.73	0.83	0.89	2.47	14.409	8.268	6203 ZZ	6202 ZZ						
3	2.2	56HJ	4.44	K	9.5	3.0	3.8	0.1663	10	22	48.1	1.15	3500	84.0	86.5	86.5	0.78	0.87	0.91	3.51	15.591	9.449	6203 ZZ	6202 ZZ						
IV pole																														
0.25	0.18	W56J	0.740	K	5.6	2.4	3.2	0.0280	28	62	14.6	1.15	1740	59.5	66.0	70.0	0.48	0.60	0.69	0.468	10.319	5.512	6203 ZZ	6202 ZZ						
0.33	0.25	W56J	0.980	L	6.2	2.6	3.5	0.0358	22	48	16.5	1.15	1740	66.0	72.0	74.0	0.46	0.58	0.68	0.624	11.213	5.906	6203 ZZ	6202 ZZ						
0.5	0.37	W56J	1.50	J	6.4	2.3	3.1	0.0520	20	44	20.9	1.15	1730	74.0	77.0	78.5	0.54	0.67	0.76	0.778	12.000	6.693	6203 ZZ	6202 ZZ						
0.75	0.55	56J	2.21	L	7.7	2.4	3.6	0.0842	16	35	30.2	1.15	1760	75.5	80.0	81.5	0.49	0.62	0.71	1.19	12.835	6.693	6204 ZZ	6202 ZZ						
1	0.75	56J	2.94	M	8.6	2.8	3.0	0.1232	19	42	37.9	1.15	1765	82.5	84.0	85.5	0.52	0.66	0.75	1.47	14.016	7.874	6204 ZZ	6202 ZZ						
1.5	1.1	56HJ	4.44	K	8.2	2.7	3.0	0.1101	21	46	37.9	1.15	1750	85.5	86.5	86.5	0.59	0.72	0.79	2.02	14.016	7.874	6203 ZZ	6202 ZZ						
2	1.5	56HJ	5.94	K	8.2	2.7	3.0	0.1296	15	33	42.3	1.15	1745	85.5	87.5	86.5	0.60	0.73	0.80	2.72	14.409	8.268	6203 ZZ	6202 ZZ						

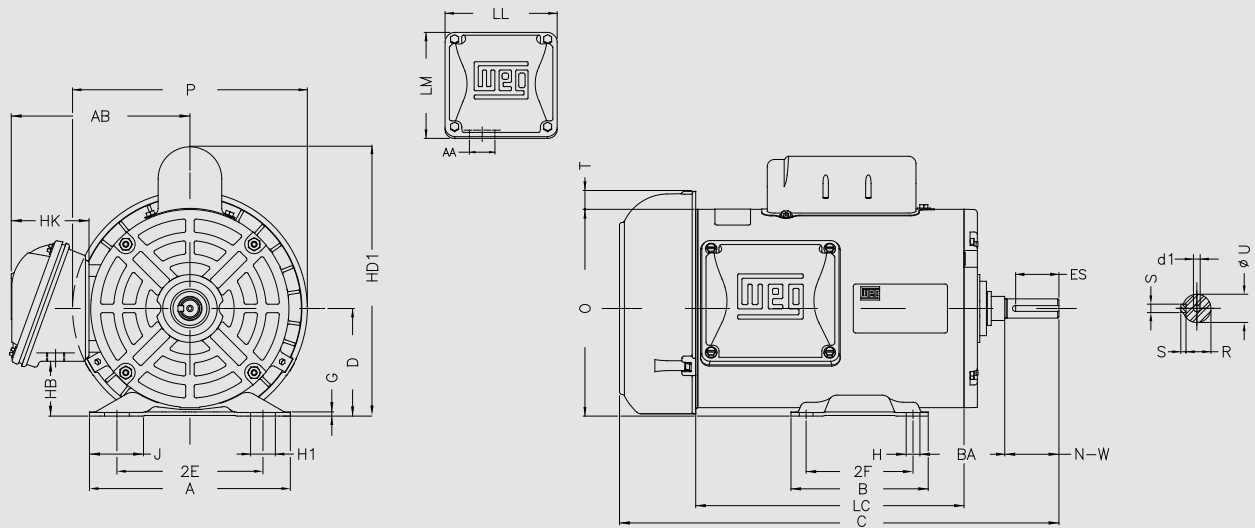


13. Mechanical data

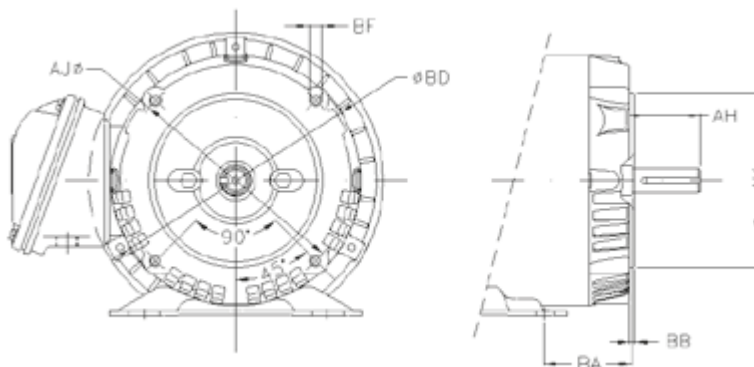
13.1 ODP – General Purpose



13.2 TEFC – General Purpose



13.3 Flanges



Note: C and LC dimensions depend on the output power and number of poles and are shown on the electrical data tables.

Carcaca	2E	2F	H	BA	A	B	D	G	J
48	4.236	2.748	0.343	2.500	6.142	3.543	3.000	0.075	1.835
W56	4.874	3.000	0.343	2.750	6.535	4.016	3.500	0.075	1.620
56	4.874	3.000	0.343	2.750	6.535	4.016	3.500	0.118	1.734
56H	4.874	3.000/5.000	0.343	2.750	6.535	6.496	3.500	0.118	1.593

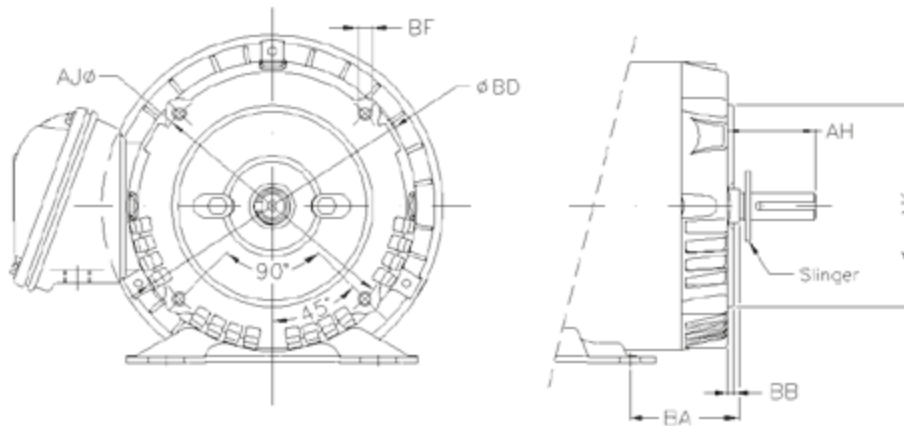
Carcaca	O	P	R	S	ES	N-W	U	H1	HD1
48	5.830	5.709	0.451		1.260	1.500	0.500	1.220	7.717
W56	6.330	5.709	0.517	0.187	1.417	1.874	0.625	1.220	8.189
56	6.723	6.456	0.517	0.187	1.417	1.874	0.625	1.220	8.618
56H	6.723	6.456	0.517	0.187	1.417	1.874	0.625	1.220	8.618

Carcaca	2E	2F	H	BA	A	B	D	G	J	O	P	R	S
48	4.236	2.748	0.343	2.500	6.142	3.543	3.000	0.075	1.835	5.830	6.693	0.451	
W56	4.874	3.000	0.343	2.750	6.535	4.016	3.500	0.075	1.620	6.330	6.693	0.517	0.187
56	4.874	3.000	0.343	2.750	6.535	4.016	3.500	0.118	1.734	6.723	7.638	0.517	0.187
56H	4.874	3.000/5.000	0.343	2.750	6.535	6.496	3.500	0.118	1.593	6.723	7.638	0.517	0.187

Carcaca	T	N-W	U	AB	HB	H1	HD1	HD1	HK	LL	LM	AA
48	0.524	1.500	0.500	5.500	1.560	1.220	7.717	7.717	2.650	3.835	3.697	0.881"
W56	0.524	1.874	0.625	5.520	2.056	1.220	8.189	8.189	2.650	3.835	3.697	0.881"
56	0.604	1.874	0.625	5.873	1.784	1.220	8.618	8.618	2.629	4.563	4.090	0.881"
56H	0.604	1.874	0.625	5.873	1.784	1.220	8.618	8.618	2.629	4.563	4.090	0.881"

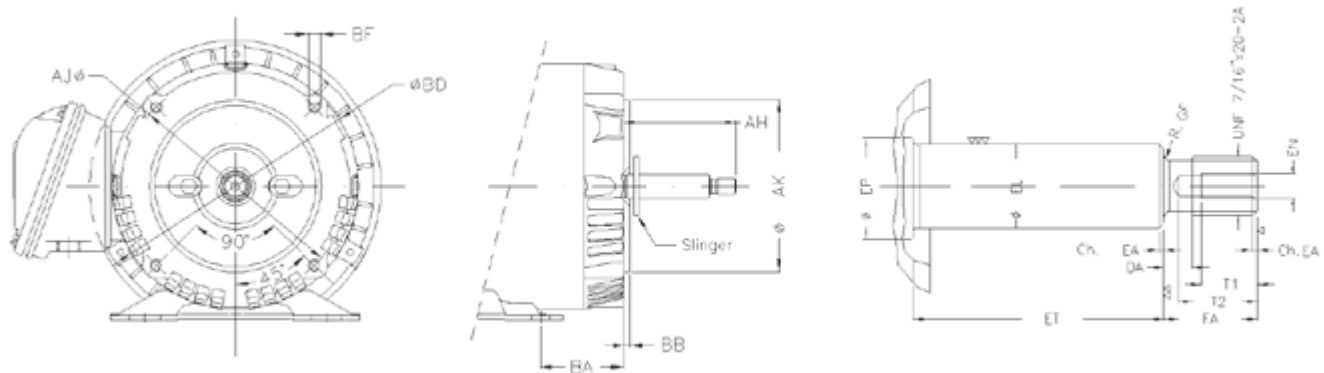
Carcaca	Flange	BA	AJ	AK	BD	BF	BB	AH
48	FC-95	2.500	3.748	3.000	4.740	UNC 1/4"x20-2B	0.157	1.689
W56	FC-149	2.750	5.874	4.500	6.468	UNC 3/8"x16-2B	0.157	2.062
56	FC-149	2.750	5.874	4.500	6.450	UNC 3/8"x16-2B	0.157	2.062
56H	FC-149	2.750	5.874	4.500	6.450	UNC 3/8"x16-2B	0.157	2.062

13.4 Jet Pump Keyed



Carcaca	BA	AJ	AK	BD	BF	BB	AH
W56C	2.750	5.874	4.500	6.468	UNC 3/8"x16-2B	0.157	2.062
56C	2.750	5.874	4.500	6.450	UNC 3/8"x16-2B	0.157	2.062
56HC	2.750	5.874	4.500	6.450	UNC 3/8"x16-2B	0.157	2.062

13.5 Jet Pump Threaded



Carcaca	BA	AJ	AK	BD	BF	BB	AH
W56J	2.559	5.874	4.500	6.468	UNC 3/8"x16-2B	0.157	2.562
56J	2.559	5.874	4.500	6.450	UNC 3/8"x16-2B	0.157	2.562
56HJ	2.559	5.874	4.500	6.450	UNC 3/8"x16-2B	0.157	2.562

Carcaca	EN	DA	EL	EP	ET	FA
W56J	UNF 1/4"-28	0.137	0.625	0.665	1.874	0.688
56J	UNF 1/4"-28	0.137	0.625	0.665	1.874	0.688
56HJ	UNF 1/4"-28	0.137	0.625	0.665	1.874	0.688

14. Drip cover

Both configurations, ODP and TEFC motors, can be supplied with drip cover. Also there are add on kits available for the standard motors. The additional in the overall motor length can be seen in the table 12.

Frame	CH	
	TEFC	ODP
48 - W56	1.417	1.220
56	1.299	

Table 12 – Drip cover length.

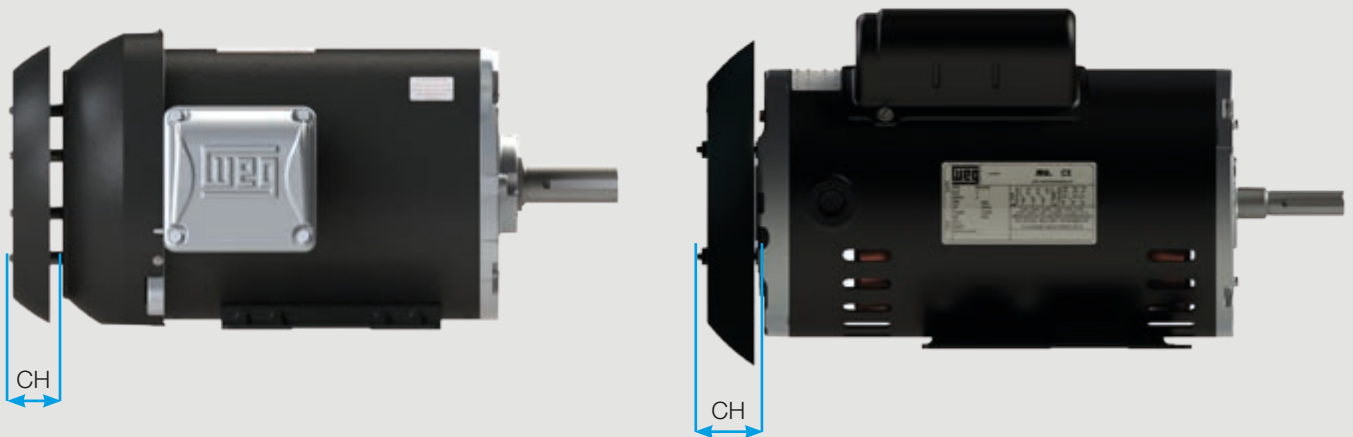


Figure 16 – TEFC and ODP motors with drip cover.

15. Packaging

W01 motors in frames 48 up to 56 are packaged in cardboard boxes (see figure 17).



Figure 17 – Cardboard box.

Packaging dimensions, weights and volumes are in the tables below.

ODP					
Frame	External height (in)	External width (in)	External length (in)	Weight (lbf)	Volume (ft ³)
48	8.661	8.661	14.370	2.623	0.636
56	8.661	8.661	14.370	2.623	0.636
56H	9.055	8.661	17.323	2.370	0.777

TEFC					
Frame	External height (in)	External width (in)	External length (in)	Weight (lbf)	Volume (ft ³)
46	9.252	12.402	15.669	2.734	1.024
56	9.252	12.402	15.669	2.734	1.024
56H	9.055	11.811	17.795	1.334	1.095

Note: values to be added to the net motor weight.

WEG Worldwide Operations

ARGENTINA

San Francisco - Cordoba
Phone: +54 3564 421484
info-ar@weg.net

Cordoba - Cordoba
Phone: +54 351 4641366
weg-morbe@weg.com.ar

Buenos Aires
Phone: +54 11 42998000
ventas@pulverlux.com.ar

AUSTRALIA

Scoresby - Victoria
Phone: +61 3 97654600
info-au@weg.net

AUSTRIA

Markt Piesting - Wiener
Neustadt-Land
Phone: +43 2633 4040
watt@wattdrive.com

BELGIUM

Nivelles - Belgium
Phone: +32 67 888420
info-be@weg.net

BRAZIL

Jaraguá do Sul - Santa Catarina
Phone: +55 47 32764000
info-br@weg.net

CHILE

La Reina - Santiago
Phone: +56 2 27848900
info-cl@weg.net

CHINA

Nantong - Jiangsu
Phone: +86 513 85989333
info-cn@weg.net

Changzhou - Jiangsu
Phone: +86 519 88067692
info-cn@weg.net

COLOMBIA

San Cayetano - Bogota
Phone: +57 1 4160166
info-co@weg.net

ECUADOR

El Batan - Quito
Phone: +593 2 5144339
ceccato@weg.net

FRANCE

Saint-Quentin-Fallavier - Isère
Phone: +33 4 74991135
info-fr@weg.net

GERMANY

Türnich - Kerpen
Phone: +49 2237 92910
info-de@weg.net

Balingen - Baden-Württemberg
Phone: +49 7433 90410
info@weg-antriebe.de

Homburg (Efze) - Hesse
Phone: +49 5681 99520
info@akh-antriebstechnik.de

GHANA

Accra
Phone: +233 30 2766490
info@zestghana.com.gh

INDIA

Bangalore - Karnataka
Phone: +91 80 41282007
info-in@weg.net

Hosur - Tamil Nadu
Phone: +91 4344 301577
info-in@weg.net

ITALY

Cinisello Balsamo - Milano
Phone: +39 2 61293535
info-it@weg.net

JAPAN

Yokohama - Kanagawa
Phone: +81 45 5503030
info-jp@weg.net

MALAYSIA

Shah Alam - Selangor
Phone: +60 3 78591626
info@wattdrive.com.my

MEXICO

Huehuetoca - Mexico
Phone: +52 55 53214275
info-mx@weg.net

Tizayuca - Hidalgo
Phone: +52 77 97963790

NETHERLANDS

Oldenzaal - Overijssel
Phone: +31 541 571080
info-nl@weg.net

PERU

La Victoria - Lima
Phone: +51 1 2097600
info-pe@weg.net

PORTUGAL

Maia - Porto
Phone: +351 22 9477700
info-pt@weg.net

RUSSIA and CIS

Saint Petersburg
Phone: +7 812 363 2172
sales-wes@weg.net

SOUTH AFRICA

Johannesburg
Phone: +27 11 7236000
info@zest.co.za

SPAIN

Coslada - Madrid
Phone: +34 91 6553008
wegiberia@wegiberia.es

SINGAPORE

Singapore
Phone: +65 68589081
info-sg@weg.net

Singapore
Phone: +65 68622220
watteuro@watteuro.com.sg

SCANDINAVIA

Mölnlycke - Sweden
Phone: +46 31 888000
info-se@weg.net

UK

Redditch - Worcestershire
Phone: +44 1527 513800
info-uk@weg.net

UNITED ARAB EMIRATES

Jebel Ali - Dubai
Phone: +971 4 8130800
info-ae@weg.net

USA

Duluth - Georgia
Phone: +1 678 2492000
info-us@weg.net

Minneapolis - Minnesota
Phone: +1 612 3788000

VENEZUELA

Valencia - Carabobo
Phone: +58 241 8210582
info-ve@weg.net

For those countries where there is not a WEG own operation, find our local distributor at www.weg.net.



WEG Group - Motors Business Unit
Jaraguá do Sul - SC - Brazil
Phone: +55 47 3276 4000
motores@weg.net
www.weg.net

