

BALDOR® • RELIANCE 

Product Information Packet

XM050342A

0.333HP, 1725RPM, 3PH, 60HZ, 56, XPFC, F1

Part Detail							
Revision:	A	Status:	PRD/A	Change #:		Proprietary:	No
Type:	AC	Elec. Spec:	34WG5723	CD Diagram:	CD0007	Mfg Plant:	
Mech. Spec:		Layout:	34LY5323	Poles:	04	Created Date:	08-05-2020
Base:		Eff. Date:	05-26-2021	Leads:	12#18		

Specs			
Catalog Number:	XM050342A	Heater Indicator:	No Heater
Enclosure:	XPFC	Insulation Class:	B
Frame:	56	Inverter Code:	Not Inverter
Frame Material:	Steel	IP Rating:	NONE
Output @ Frequency:	.330 HP @ 60 HZ	KVA Code:	L
Synchronous Speed @ Frequency:	1800 RPM @ 60 HZ	Lifting Lugs:	No Lifting Lugs
Voltage @ Frequency:	208.0 V @ 60 HZ	Locked Bearing Indicator:	No Locked Bearing
	230.0 V @ 60 HZ	Motor Lead Termination:	Flying Leads
	460.0 V @ 60 HZ	Motor Type:	3413M
XP Class and Group:	CLI GP D; CLII GP F,G	Mounting Arrangement:	F1
XP Division:	Division I	Power Factor:	57
Agency Approvals:	UR	Product Family:	Hazardous Location Motor
	CSA	Pulley Face Code:	Standard
Auxillary Box:	No Auxillary Box	Rodent Screen:	None
Auxillary Box Lead Termination:	None	Shaft Ground Indicator:	No Shaft Grounding
Base Indicator:	Rigid	Shaft Rotation:	Reversible
Bearing Grease Type:	Polyrex EM (-20F +300F)	Speed Code:	Single Speed
Blower:	None	Motor Standards:	NEMA

Current @ Voltage:	.800 A @ 460.0 V	Starting Method:	Direct on line
	1.600 A @ 230.0 V	Thermal Device - Bearing:	None
	1.800 A @ 208.0 V	Thermal Device - Winding:	None
Design Code:	B	Vibration Sensor Indicator:	No Vibration Sensor
Drip Cover:	No Drip Cover	Winding Thermal 1:	Automatic Thermal Overload
Duty Rating:	CONT	Winding Thermal 1 Location:	EP
Electrically Isolated Bearing:	Not Electrically Isolated	Winding Thermal 2:	None
Feedback Device:	NO FEEDBACK	XP Temp Code:	T3C

Nameplate NP0016XPSL	
NO.	<input type="text"/>
SER. #	<input type="text"/>
SPEC	34-0000-0383
CAT.NO.	XM050342A
H.P.	.33
VOLTS	208-230/460
AMPS	1.8-1.6/.8
R.P.M.	1725 34WG5723
HZ	60
SER.F.	1.00
RATING	40C AMB-CONT
FRAME	56
USABLE AT 208V	<input type="text"/>
BLANK	NEMA MG-1 PART 5, IP54

CC	<input type="text"/>
T. CODE	T3C
PH	3
DES	B
CLASS	B
CODE	L
NEMA NOM. EFF	67
PF	57

Parts List		
Part Number	Description	Quantity
SA385407	SA 34-0000-0383	1.000 EA
RA375648	RA 34-0000-0383	1.000 EA
LB1118	LABEL,WARNING (ROLL LABEL)	1.000 EA
LC0007	CONNECTION LABEL	1.000 EA
NP0016XPSL	SS XP UL CSA CC CL-I GP-D CL-II GP-F&G	1.000 EA
85XU0407S04	4X1/4 U DRIVE PIN STAINLESS	2.000 EA
85XU0407S04	4X1/4 U DRIVE PIN STAINLESS	4.000 EA
MN416A01	TAG-INSTAL-MAINT no wire (2100/bx) 4/22	1.000 EA
NP0018W	ALUM UL XP CONDUIT BOX NAMEPLATE	1.000 EA
TPMYJ72KL	THERMAL 3PH 0.75 AUT 105C	1.000 EA
51XT0632A06	6-32X3/8 TY F HEX HD SLT	2.000 EA
HA6001A01	THERMAL RETAINER (PLATED)	1.000 EA
NS2500A05	INSULATOR, AUTO THER PROT	1.000 EA
34FH4002A01SP	IEC FH NO GREASER PRIMED	1.000 EA
51XW1032A06	10-32 X .38, TAPTITE II, HEX WSHR SLTD S	3.000 EA
34FN3002A01SP	EXTERNAL FAN, PLASTIC, .637/.639 HUB W/	1.000 EA
MJ1000A02	GREASE, MOBIL POLYREX EM - 124047	0.050 LB
HA3104A05	THRUBOLT, 5/16-18 X 8.375	4.000 EA
XY3118A12	5/16-18 HEX NUT DIRECTIONAL SERRATION	4.000 EA
34EP3703A01	FR ENDPLATE, MACH XP	1.000 EA
HW5100A03	WAVY WASHER (W1543-017)	1.000 EA
34EP3704A01	PU ENDPLATE, MACH XP	1.000 EA
35CB3001A01SP	EXPL CONDUIT BOX, MACH, 1/2" PIPE TAP LE	1.000 EA
HW3001B02	BRASS CUP WASHER W/GROUND SYMBOL TAB,	1.000 EA

Parts List (continued)		
Part Number	Description	Quantity
11XW1032G06	10-32 X .38, TAPTITE II, HEX WSHR SLTD U	1.000 EA
HW4002A02	1-11.5X2LG PIPE NIPPLE (F/S)	1.000 EA
35CB3500A01SP	CONDUIT BOX LID, MACH	1.000 EA
51XN2520A16	SCREW, HEX WS SLT, ZN, 1/4-20 X 1.00	4.000 EA
SP5037A01	TERMINAL PLATE ASS'Y MODEL 34 - 3 PHASE	1.000 EA
51XW0832A07	8-32 X .44, TAPTITE II, HEX WSHR SLTD SE	2.000 EA
HA1025A13	WSHR,FELT,.38" THICK F-26 CLASS	1.000 EA
HW3021E06	1/8 DIA X 5/8 ROLLPIN (F/S)	1.000 EA
WD1000A16	2-520128-2 AMP FLAG TERMINAL(4M/RL)	12.000 EA
WD1000A16	2-520128-2 AMP FLAG TERMINAL(4M/RL)	12.000 EA
MG1025G29	WILKOFASST, 789.229, DARK CHARCOAL GRAY	0.014 GA
36PA1000	PKG GRP, PRINT PK1016A06	1.000 EA
HW2501D13	KEY, 3/16 SQ X 1.375	1.000 EA
HA7000A04	KEY RETAINER 0.625 DIA SHAFTS	1.000 EA
MJ5000A09	EFI KIT #1578 (400 ML CARTRIDGE OF EFI	0.031 EA

AC Induction Motor Performance Data

Record # 6820

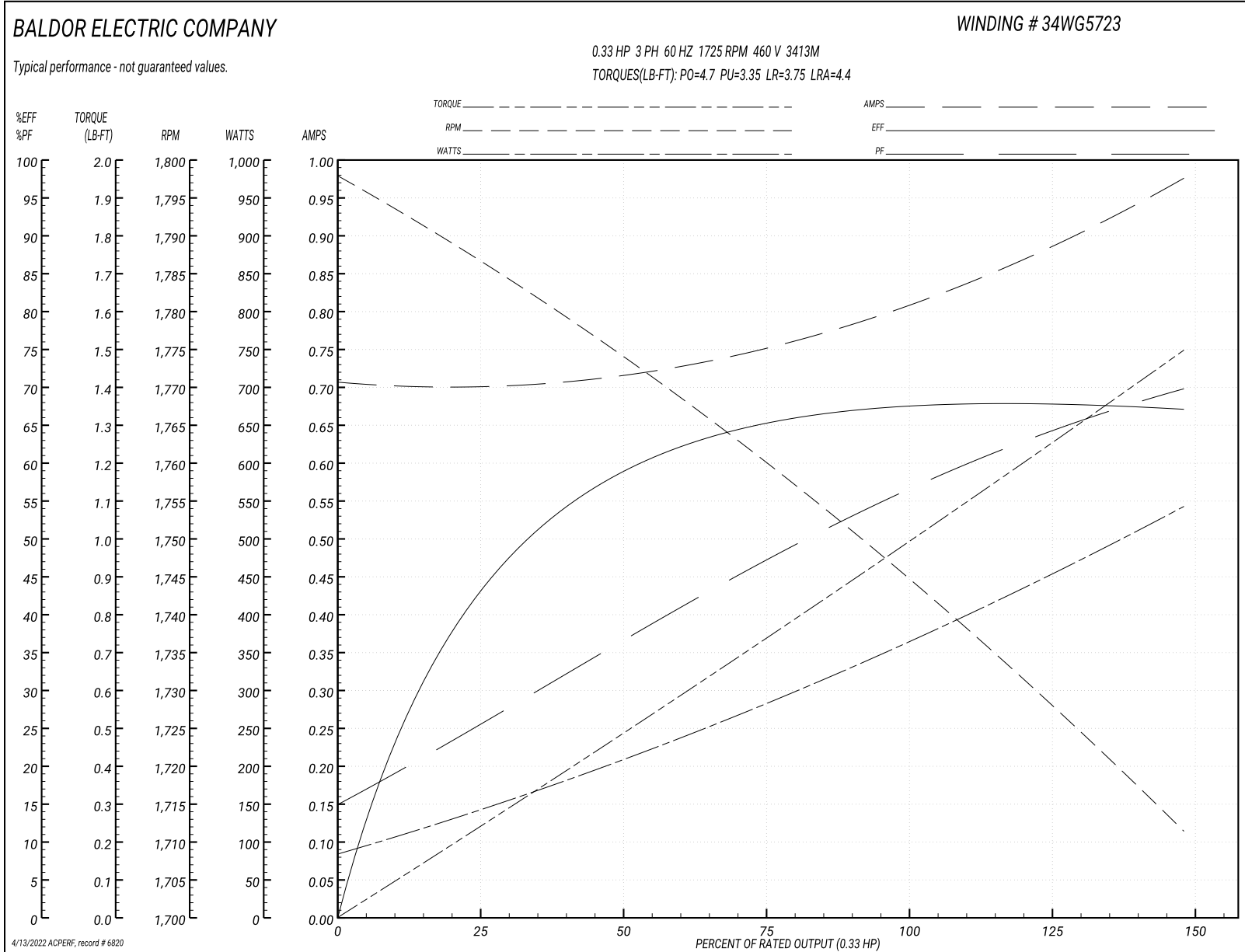
Typical performance - not guaranteed values

Winding: 34WG5723-R001		Type: 3413M		Enclosure: XPFC	
Nameplate Data			460 V, 60 Hz: High Voltage Connection		
Rated Output (HP)	.33		Full Load Torque	1 LB-FT	
Volts	208-230/460		Start Configuration	direct on line	
Full Load Amps	1.8-1.6/.8		Breakdown Torque	4.7 LB-FT	
R.P.M.	1725		Pull-up Torque	3.35 LB-FT	
Hz	60 Phase	3	Locked-rotor Torque	3.75 LB-FT	
NEMA Design Code	B KVA Code	L	Starting Current	4.4 A	
Service Factor (S.F.)	1		No-load Current	0.7 A	
NEMA Nom. Eff.	67 Power Factor	57	Line-line Res. @ 25°C	49.1 Ω	
Rating - Duty	40C AMB-CONT		Temp. Rise @ Rated Load	47°C	

Load Characteristics 460 V, 60 Hz, 0.33 HP

% of Rated Load	25	50	75	100	125	150
Power Factor	28	40	50	57	64	69
Efficiency	44	59	65	68	68	67
Speed	1788	1770	1760	1745	1730	1710
Line amperes	0.7	0.73	0.77	0.8	0.85	1

Performance Graph at 460V, 60Hz, 0.33HP Typical performance - Not guaranteed values



AC Induction Motor Performance Data

Record # 65177

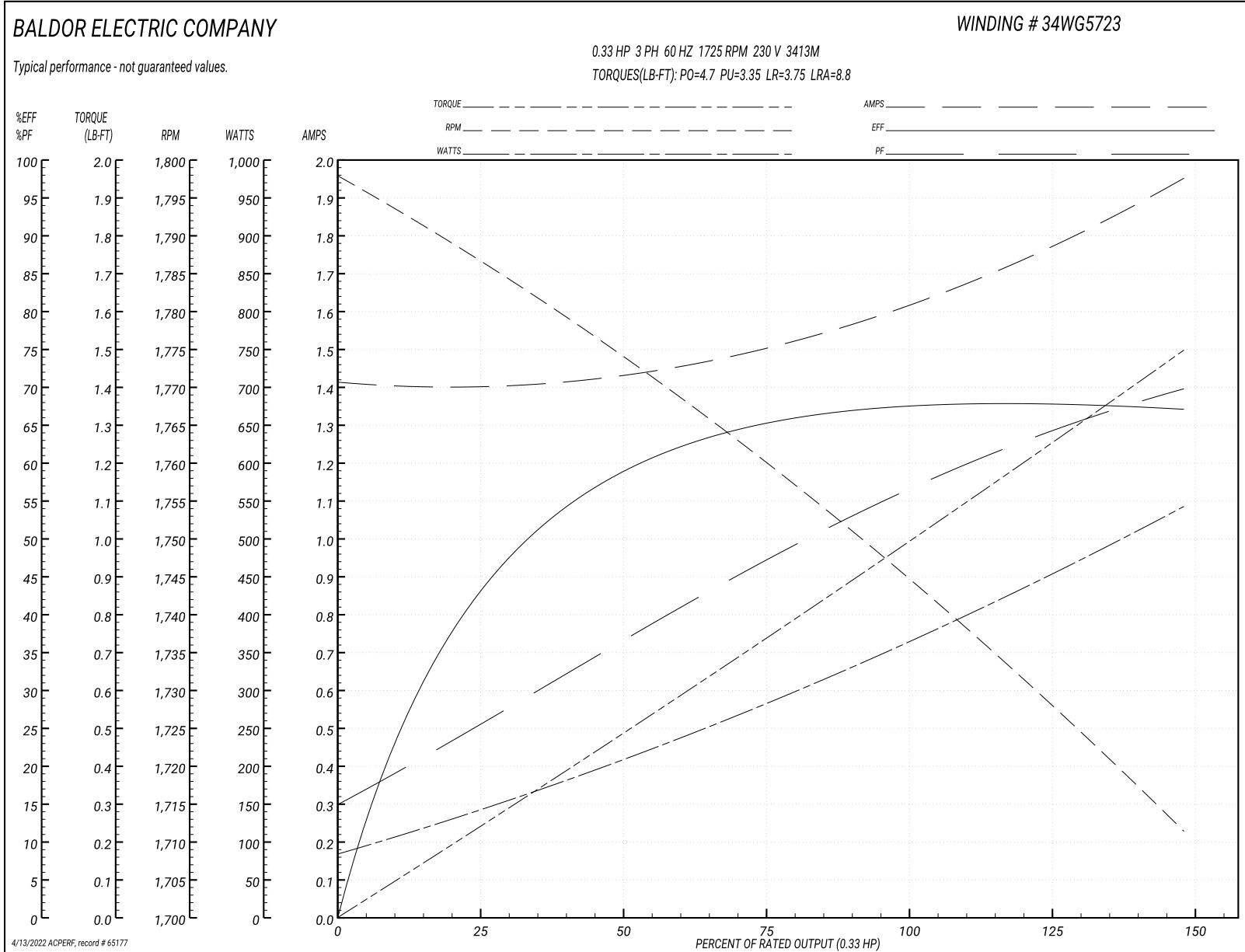
Typical performance - not guaranteed values

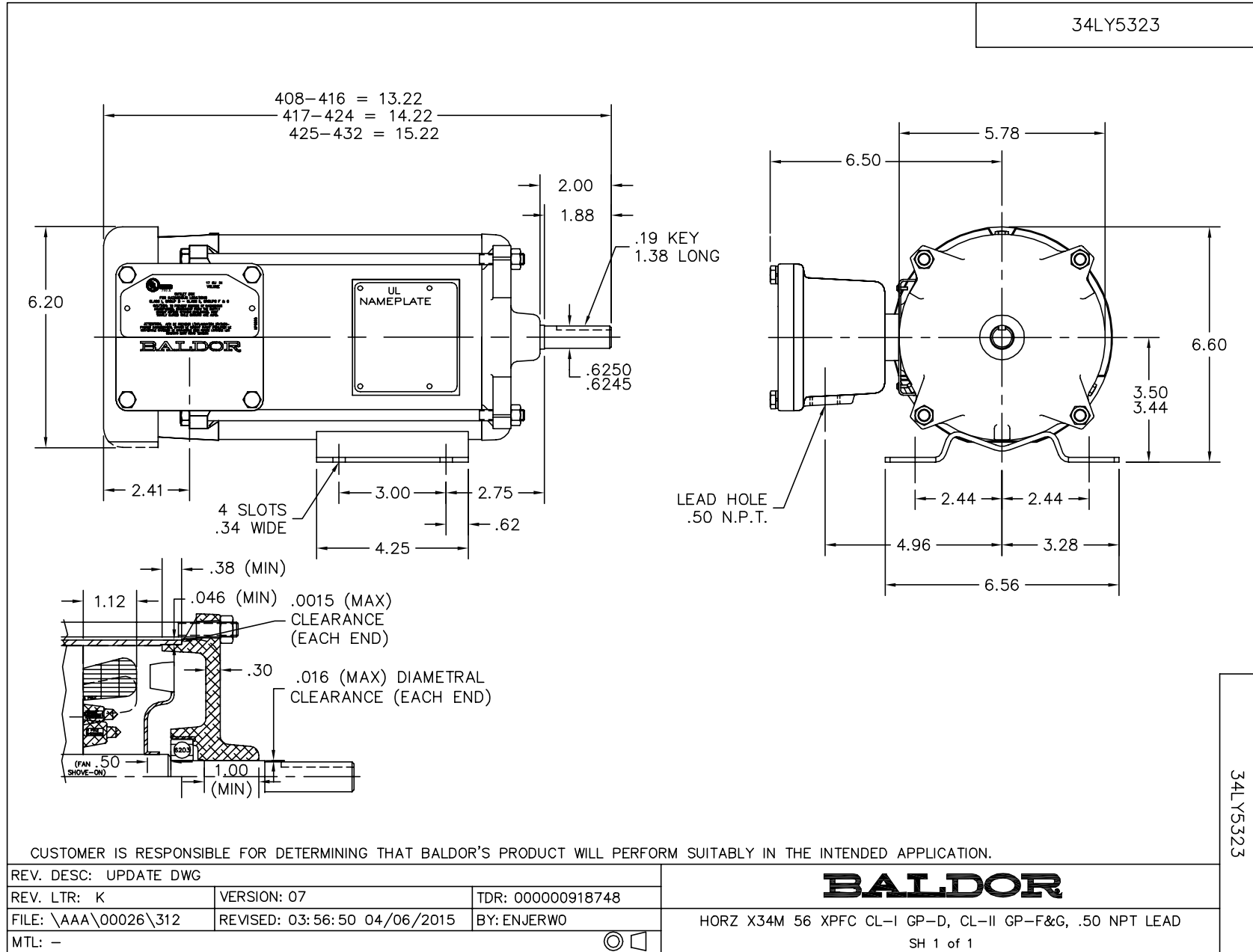
Winding: 34WG5723-R001			Type: 3413M			Enclosure: XPFC			
Nameplate Data				230 V, 60 Hz: Low Voltage Connection					
Rated Output (HP)			.33	Full Load Torque	1 LB-FT				
Volts			208-230/460	Start Configuration	direct on line				
Full Load Amps			1.8-1.6/.8	Breakdown Torque	4.7 LB-FT				
R.P.M.			1725	Pull-up Torque	3.35 LB-FT				
Hz	60	Phase	3	Locked-rotor Torque	3.75 LB-FT				
NEMA Design Code	B		KVA Code	L	Starting Current	8.8 A			
Service Factor (S.F.)			1	No-load Current	1.4 A				
NEMA Nom. Eff.	67	Power Factor	57	Line-line Res. @ 25°C	12.2 Ω				
Rating - Duty			40C AMB-CONT	Temp. Rise @ Rated Load	47°C				
				Locked-rotor Power Factor	69.4				
				Rotor inertia	0.031 LB-FT ²				

Load Characteristics 230 V, 60 Hz, 0.33 HP

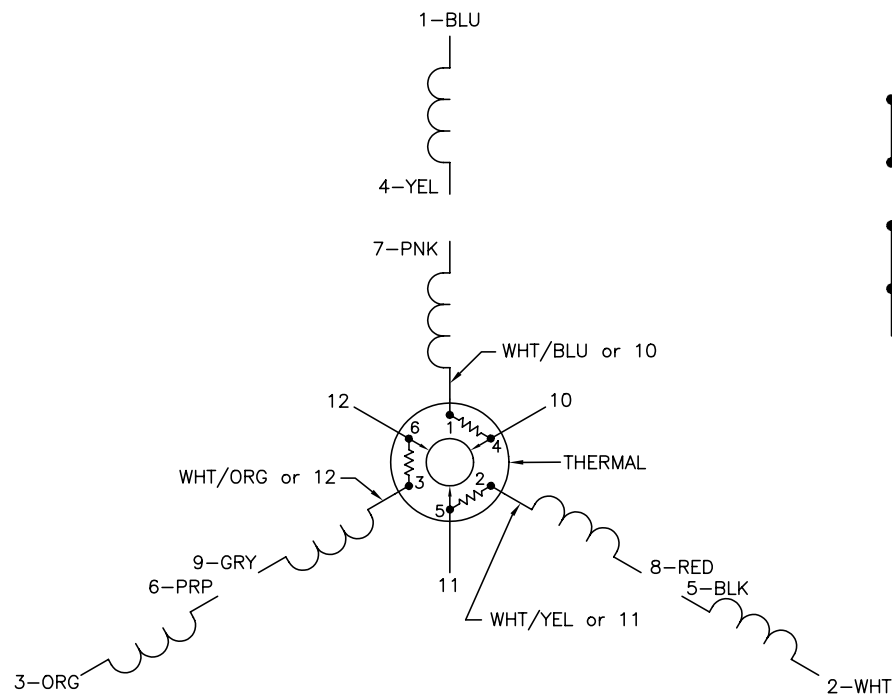
% of Rated Load	25	50	75	100	125	150
Power Factor	26	37	47	57	67	68
Efficiency	44.1	59	65.1	67.9	67.9	66.9
Speed	1788	1770	1760	1745	1730	1710
Line amperes	1.4	1.46	1.54	1.6	1.7	2

Performance Graph at 230V, 60Hz, 0.33HP Typical performance - Not guaranteed values

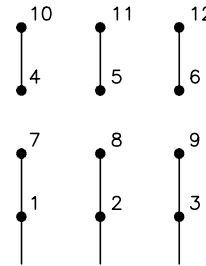




CD0007

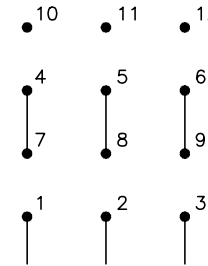


LOW VOLTAGE
(2Y)



LINE

HIGH VOLTAGE
(1Y)



LINE

NOTES:

1. INTERCHANGE ANY TWO LINE LEADS TO REVERSE ROTATION.
2. ACTUAL NUMBER OF INTERNAL PARALLEL CIRCUITS MAY VARY.
3. LEAD COLORS ARE OPTIONAL. LEADS MUST ALWAYS BE NUMBERED AS SHOWN.

REV. DESC: ADDED "CK" PLANT CODE			
REV. LTR: E	BY: EAH	REVISED: 05/06/99 17:1	TDR: 0181040
L00000		FILE: AAA00008370	MDL: -
		MTL: -	

BALDOR ELECTRIC Co.

3PH, DV, THERMAL, 12 LEADS

CD0007

Marketing maintained PDF of MN416:

<http://www.baldor.com/support/Literature/Load.ashx/MN416?ManNumber=MN416>