

**BALDOR® • RELIANCE** 

**Product Information Packet**

**XM050522A**

**.5HP,3450RPM,3PH,60HZ,56,3410M,XPFC,F1,N**

Part Detail							
Revision:	B	Status:	PRD/A	Change #:		Proprietary:	No
Type:	AC	Elec. Spec:	34WG3302	CD Diagram:	CD0007	Mfg Plant:	
Mech. Spec:		Layout:	34LY5323	Poles:	02	Created Date:	04-29-2021
Base:		Eff. Date:	05-22-2021	Leads:	12#18		

Specs			
Catalog Number:	XM050522A	Heater Indicator:	No Heater
Enclosure:	XPFC	Insulation Class:	B
Frame:	56	Inverter Code:	Not Inverter
Frame Material:	Steel	IP Rating:	NONE
Output @ Frequency:	.500 HP @ 60 HZ	KVA Code:	L
Synchronous Speed @ Frequency:	3600 RPM @ 60 HZ	Lifting Lugs:	No Lifting Lugs
Voltage @ Frequency:	208.0 V @ 60 HZ	Locked Bearing Indicator:	No Locked Bearing
	230.0 V @ 60 HZ	Motor Lead Termination:	Flying Leads
	460.0 V @ 60 HZ	Motor Type:	3410M
XP Class and Group:	CLI GP D; CLII GP F,G	Mounting Arrangement:	F1
XP Division:	Division I	Power Factor:	63
Agency Approvals:	UR	Product Family:	General Purpose
	CSA	Pulley Face Code:	Standard
Auxillary Box:	No Auxillary Box	Rodent Screen:	None
Auxillary Box Lead Termination:	None	Shaft Ground Indicator:	No Shaft Grounding
Base Indicator:	Rigid	Shaft Rotation:	Reversible
Bearing Grease Type:	Polyrex EM (-20F +300F)	Speed Code:	Single Speed
Blower:	None	Motor Standards:	NEMA

<b>Current @ Voltage:</b>	1.100 A @ 460.0 V	<b>Starting Method:</b>	Direct on line
	2.200 A @ 230.0 V	<b>Thermal Device - Bearing:</b>	None
	2.400 A @ 208.0 V	<b>Thermal Device - Winding:</b>	None
<b>Design Code:</b>	B	<b>Vibration Sensor Indicator:</b>	No Vibration Sensor
<b>Drip Cover:</b>	No Drip Cover	<b>Winding Thermal 1:</b>	Automatic Thermal Overload
<b>Duty Rating:</b>	CONT	<b>Winding Thermal 1 Location:</b>	EP
<b>Electrically Isolated Bearing:</b>	Not Electrically Isolated	<b>Winding Thermal 2:</b>	None
<b>Feedback Device:</b>	NO FEEDBACK	<b>XP Temp Code:</b>	T3C

Nameplate NP0016XPSL									
NO.		CC							
SER. #									
SPEC	34-0000-0402								
CAT.NO.	XM050522A								
H.P.	.5	T. CODE	T3C						
VOLTS	208-230/460								
AMPS	2.4-2.2/1.1								
R.P.M.	3450 34WG3302								
HZ	60	PH	3	CLASS	B				
SER.F.	1.00	DES	B	CODE	L				
RATING	40C AMB-CONT								
FRAME	56	NEMA NOM. EFF	68						
USABLE AT 208V		PF	63						
BLANK	NEMA MG-1 PART 5, IP54								

Parts List		
Part Number	Description	Quantity
SA393482	SA 34-0000-0402	1.000 EA
RA384130	RA 34-0000-0402	1.000 EA
LB1118	LABEL,WARNING (ROLL LABEL)	1.000 EA
LC0007	CONNECTION LABEL	1.000 EA
NP0016XPSL	SS XP UL CSA CC CL-I GP-D CL-II GP-F&G	1.000 EA
85XU0407S04	4X1/4 U DRIVE PIN STAINLESS	2.000 EA
85XU0407S04	4X1/4 U DRIVE PIN STAINLESS	4.000 EA
MN416A01	TAG-INSTAL-MAINT no wire (2100/bx) 4/22	1.000 EA
NP0018W	ALUM UL XP CONDUIT BOX NAMEPLATE	1.000 EA
TPMYJ72KX	THERMAL 3PH 0.75 AUT 120C	1.000 EA
51XT0632A06	6-32X3/8 TY F HEX HD SLT	2.000 EA
HA6001A01	THERMAL RETAINER (PLATED)	1.000 EA
NS2500A05	INSULATOR, AUTO THER PROT	1.000 EA
34FH4002A01SP	IEC FH NO GREASER PRIMED	1.000 EA
51XW1032A06	10-32 X .38, TAPTITE II, HEX WSHR SLTD S	3.000 EA
34FN3002A01SP	EXTERNAL FAN, PLASTIC, .637/.639 HUB W/	1.000 EA
HA3104A05	THRUBOLT, 5/16-18 X 8.375	4.000 EA
XY3118A12	5/16-18 HEX NUT DIRECTIONAL SERRATION	4.000 EA
34EP3703A01	FR ENDPLATE, MACH XP	1.000 EA
HW5100A03	WAVY WASHER (W1543-017)	1.000 EA
34EP3704A01	PU ENDPLATE, MACH XP	1.000 EA
35CB3001A01SP	EXPL CONDUIT BOX, MACH, 1/2" PIPE TAP LE	1.000 EA
HW3001B02	BRASS CUP WASHER W/GROUND SYMBOL TAB,	1.000 EA
11XW1032G06	10-32 X .38, TAPTITE II, HEX WSHR SLTD U	1.000 EA

<b>Parts List (continued)</b>		
<b>Part Number</b>	<b>Description</b>	<b>Quantity</b>
HW4002A02	1-11.5X2LG PIPE NIPPLE (F/S)	1.000 EA
35CB3500A01SP	CONDUIT BOX LID, MACH	1.000 EA
51XN2520A16	SCREW, HEX WS SLT, ZN, 1/4-20 X 1.00	4.000 EA
SP5037A01	TERMINAL PLATE ASS'Y MODEL 34 - 3 PHASE	1.000 EA
51XW0832A07	8-32 X .44, TAPTITE II, HEX WSHR SLTD SE	2.000 EA
HA1025A13	WSHR,FELT,.38" THICK F-26 CLASS	1.000 EA
HW3021E06	1/8 DIA X 5/8 ROLLPIN (F/S)	1.000 EA
WD1000A16	2-520128-2 AMP FLAG TERMINAL(4M/RL)	12.000 EA
WD1000A16	2-520128-2 AMP FLAG TERMINAL(4M/RL)	12.000 EA
MG1025G29	WILKOFASST, 789.229, DARK CHARCOAL GRAY	0.014 GA
36PA1000	PKG GRP, PRINT PK1016A06	1.000 EA
HW2501D13	KEY, 3/16 SQ X 1.375	1.000 EA
HA7000A04	KEY RETAINER 0.625 DIA SHAFTS	1.000 EA
MJ5000A09	EFI KIT #1578 (400 ML CARTRIDGE OF EFI	0.031 EA

**AC Induction Motor Performance Data**

Record # 6680

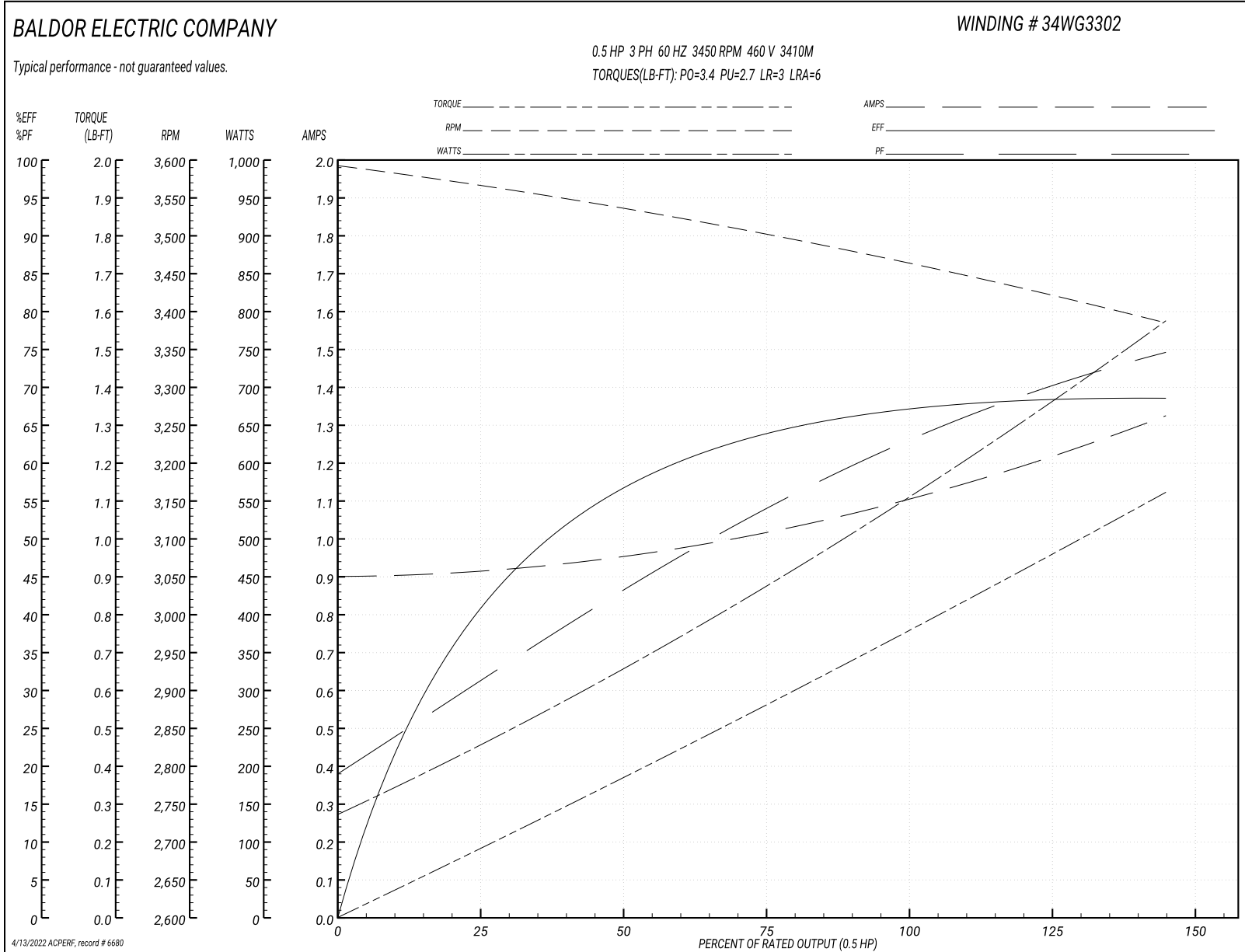
Typical performance - not guaranteed values

<b>Winding: 34WG3302-R002</b>		<b>Type: 3410M</b>		<b>Enclosure: XPFC</b>	
<b>Nameplate Data</b>			<b>460 V, 60 Hz: High Voltage Connection</b>		
<b>Rated Output (HP)</b>	.5	<b>Full Load Torque</b>	0.75 LB-FT		
<b>Volts</b>	208-230/460	<b>Start Configuration</b>	direct on line		
<b>Full Load Amps</b>	2.4-2.2/1.1	<b>Breakdown Torque</b>	3.4 LB-FT		
<b>R.P.M.</b>	3450	<b>Pull-up Torque</b>	2.7 LB-FT		
<b>Hz</b>	60 Phase	<b>Locked-rotor Torque</b>	3 LB-FT		
<b>NEMA Design Code</b>	B	<b>KVA Code</b>	L	<b>Starting Current</b>	6 A
<b>Service Factor (S.F.)</b>			1	<b>No-load Current</b>	0.9 A
<b>NEMA Nom. Eff.</b>	68	<b>Power Factor</b>	63	<b>Line-line Res. @ 25°C</b>	35.1 Ω
<b>Rating - Duty</b>	40C AMB-CONT		<b>Temp. Rise @ Rated Load</b>	58°C	
			<b>Locked-rotor Power Factor</b>	78	
			<b>Rotor inertia</b>	0.0093 LB-FT <sup>2</sup>	

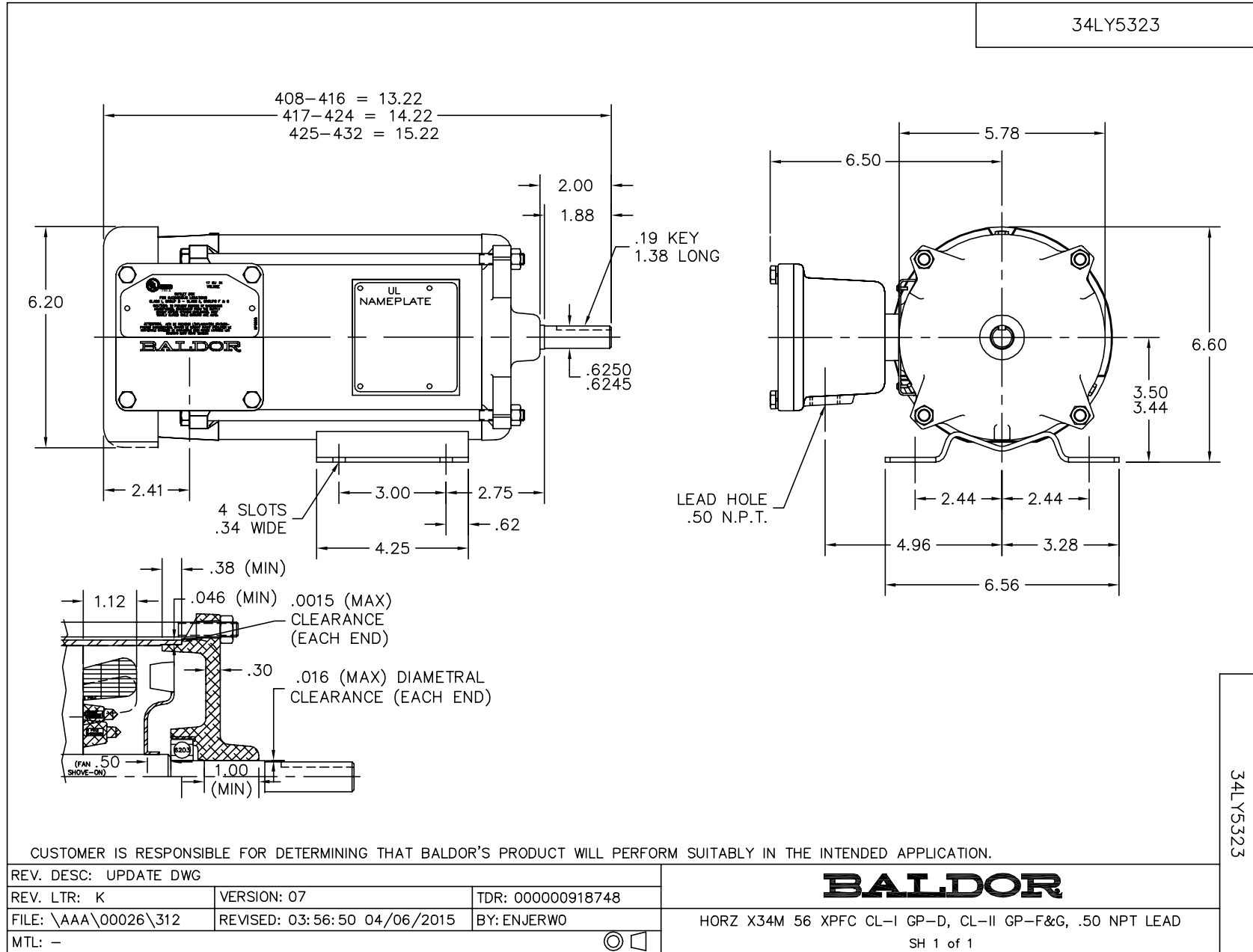
**Load Characteristics 460 V, 60 Hz, 0.5 HP**

<b>% of Rated Load</b>	<b>25</b>	<b>50</b>	<b>75</b>	<b>100</b>	<b>125</b>	<b>150</b>
<b>Power Factor</b>	33	44	56	64	70	77
<b>Efficiency</b>	41.4	56.3	64	67.2	68.4	68.5
<b>Speed</b>	3563	3535	3501	3466	3432	3381
<b>Line amperes</b>	0.91	0.97	1.01	1.1	1.2	1.33

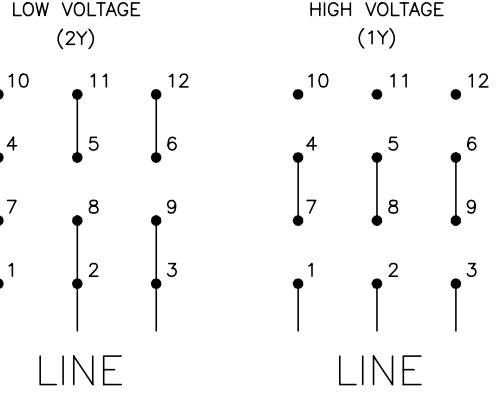
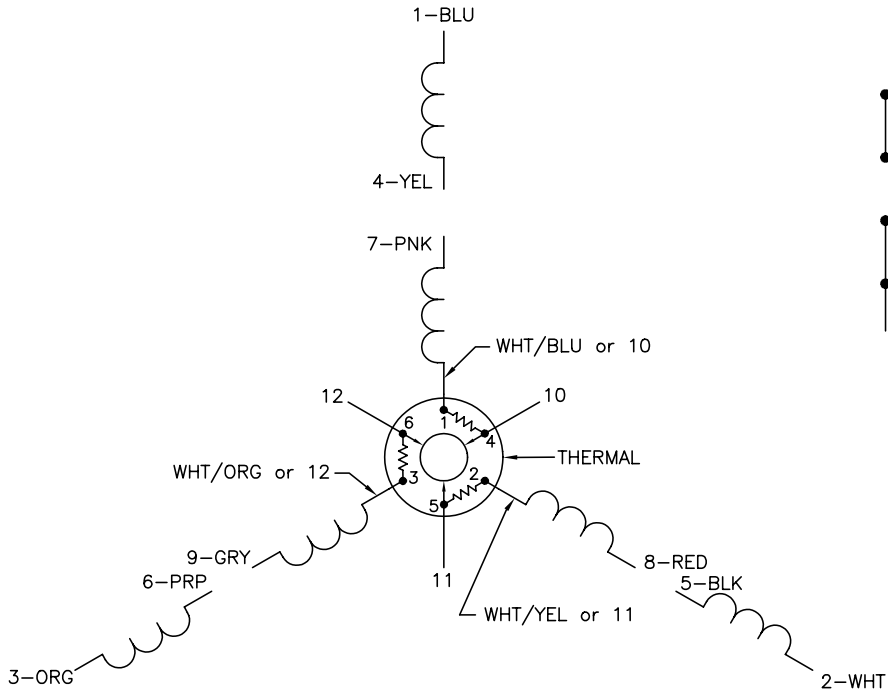
Performance Graph at 460V, 60Hz, 0.5HP Typical performance - Not guaranteed values







CD0007



- NOTES:
1. INTERCHANGE ANY TWO LINE LEADS TO REVERSE ROTATION.
  2. ACTUAL NUMBER OF INTERNAL PARALLEL CIRCUITS MAY VARY.
  3. LEAD COLORS ARE OPTIONAL. LEADS MUST ALWAYS BE NUMBERED AS SHOWN.

REV. DESC: ADDED "CK" PLANT CODE			
REV. LTR: E	BY: EAH	REVISED: 05/06/99 17:1	TDR: 0181040
Z00000		FILE: AAA00008370	MDL: -
		MTL: -	

**BALDOR ELECTRIC Co.**

3PH, DV, THERMAL, 12 LEADS

CD0007

Marketing maintained PDF of MN416:

<http://www.baldor.com/support/Literature/Load.ashx/MN416?ManNumber=MN416>