

**BALDOR® • RELIANCE** 

**Product Information Packet**

**XM050542-5**

**.5HP,1740RPM,3PH,60HZ,56,3512M,XPFC,F1**

Part Detail							
Revision:	-	Status:	PRD/A	Change #:		Proprietary:	No
Type:	AC	Elec. Spec:	35WGN367	CD Diagram:	CD0006	Mfg Plant:	
Mech. Spec:		Layout:	35LYE354	Poles:	04	Created Date:	03-26-2021
Base:		Eff. Date:	04-08-2021	Leads:	3#18		

Specs			
Catalog Number:	XM050542-5	Heater Indicator:	No Heater
Enclosure:	XPFC	Insulation Class:	F
Frame:	56	Inverter Code:	Inverter Duty
Frame Material:	Steel	IP Rating:	NONE
Output @ Frequency:	.500 HP @ 60 HZ	KVA Code:	M
Synchronous Speed @ Frequency:	1800 RPM @ 60 HZ	Lifting Lugs:	No Lifting Lugs
Voltage @ Frequency:	575.0 V @ 60 HZ	Locked Bearing Indicator:	No Locked Bearing
XP Class and Group:	CLI GP D; CLII GP F,G	Motor Lead Termination:	Flying Leads
XP Division:	Division I	Motor Type:	3512M
Agency Approvals:	CSA	Mounting Arrangement:	F1
	CSA EEV	Power Factor:	69
	UR	Product Family:	General Purpose
Auxillary Box:	No Auxillary Box	Pulley Face Code:	Standard
Auxillary Box Lead Termination:	None	Rodent Screen:	None
Base Indicator:	Rigid	Shaft Ground Indicator:	No Shaft Grounding
Bearing Grease Type:	Polyrex EM (-20F +300F)	Shaft Rotation:	Reversible
Blower:	None	Speed Code:	Single Speed
Constant Torque Speed Range:	6	Motor Standards:	NEMA

<b>Current @ Voltage:</b>	.700 A @ 575.0 V	<b>Starting Method:</b>	Direct on line
<b>Design Code:</b>	B	<b>Thermal Device - Bearing:</b>	None
<b>Drip Cover:</b>	No Drip Cover	<b>Thermal Device - Winding:</b>	Normally Closed Thermostat
<b>Duty Rating:</b>	CONT	<b>Vibration Sensor Indicator:</b>	No Vibration Sensor
<b>Electrically Isolated Bearing:</b>	Not Electrically Isolated	<b>Winding Thermal 1:</b>	None
<b>Feedback Device:</b>	NO FEEDBACK	<b>Winding Thermal 2:</b>	None
		<b>XP Temp Code:</b>	T3C

Nameplate NP0887XPSLEV											
NO.					CC						
S/N					TEMP CODE	T3C					
SPEC.	35-0000-1099				INV.TYPE	PWM					
CAT.NO.	XM050542-5				C HP FR	60		C HP TO	90		
HP	.5				CT HZ FROM	6		CT HZ TO	60		
VOLTS	575				VT HZ FROM	6		VT HZ TO	60		
AMPS	.7				MAG CUR	.5					
RPM	1740				MX RPM	2700					
HZ	60		PH	3		CL	F		NOM.EFF.	78.5	
SER.F.	1.00		DES	B		SL HZ	1.8		WK2	0.07	
FRAME	56		RATING	40C AMB-CONT							
NEMA MG-1 PART 5, IP54											
1.15 SF ON SINE WAVE											

Parts List		
Part Number	Description	Quantity
SA392293	SA 35-0000-1099	1.000 EA
RA382845	RA 35-0000-1099	1.000 EA
LB1119N	WARNING LABEL	1.000 EA
LC0006	CONNECTION LABEL	1.000 EA
NP0887XPSLEV	SS XP INV UL CSA-EEV CC CL-I GP-D	1.000 EA
85XU0407S04	4X1/4 U DRIVE PIN STAINLESS	4.000 EA
85XU0407S04	4X1/4 U DRIVE PIN STAINLESS	2.000 EA
MN416A01	TAG-INSTAL-MAINT no wire (2100/bx) 4/22	1.000 EA
NP0018F	ALUM UL XP CONDUIT BOX NAMEPLATE	1.000 EA
35FH4005A01SP	IEC FH NO GREASER W/PRIMED	1.000 EA
51XW1032A06	10-32 X .38, TAPTITE II, HEX WSHR SLTD S	3.000 EA
35FN3002A05SP	EXFN, PLASTIC, 6.376 OD, .638 ID	1.000 EA
51XB1214A16	12-14X1.00 HXWSSLD SERTYB	1.000 EA
MJ1000A02	GREASE, MOBIL POLYREX EM - 124047	0.050 LB
HA3104A06	THRUBOLT 5/16-18 X 8.50 OHIO ROD	4.000 EA
XY3118A12	5/16-18 HEX NUT DIRECTIONAL SERRATION	4.000 EA
35EP3700A01SP	FR ENDPLATE, XPFC	1.000 EA
HW5100A03	WAVY WASHER (W1543-017)	1.000 EA
35EP3701A01	PU ENDPLATE, XPFC - 205 BRG	1.000 EA
35CB3001A01SP	EXPL CONDUIT BOX, MACH, 1/2" PIPE TAP LE	1.000 EA
11XW1032G06	10-32 X .38, TAPTITE II, HEX WSHR SLTD U	1.000 EA
HW3001B01	BRASS CUP WASHER, FOR #10 SCREW	1.000 EA
35CB3500A01SP	CONDUIT BOX LID, MACH	1.000 EA
51XN2520A16	SCREW, HEX WS SLT, ZN, 1/4-20 X 1.00	4.000 EA

<b>Parts List (continued)</b>		
<b>Part Number</b>	<b>Description</b>	<b>Quantity</b>
MG1500Y02	WILKOPON PRIMER YELLOW	0.022 GA
MG1025G29	WILKOFAST, 789.229, DARK CHARCOAL GRAY	0.022 GA
36PA1000	PKG GRP, PRINT PK1016A06	1.000 EA
HW2501D13	KEY, 3/16 SQ X 1.375	1.000 EA
HA7000A04	KEY RETAINER 0.625 DIA SHAFTS	1.000 EA

**AC Induction Motor Performance Data**

Record # 39332

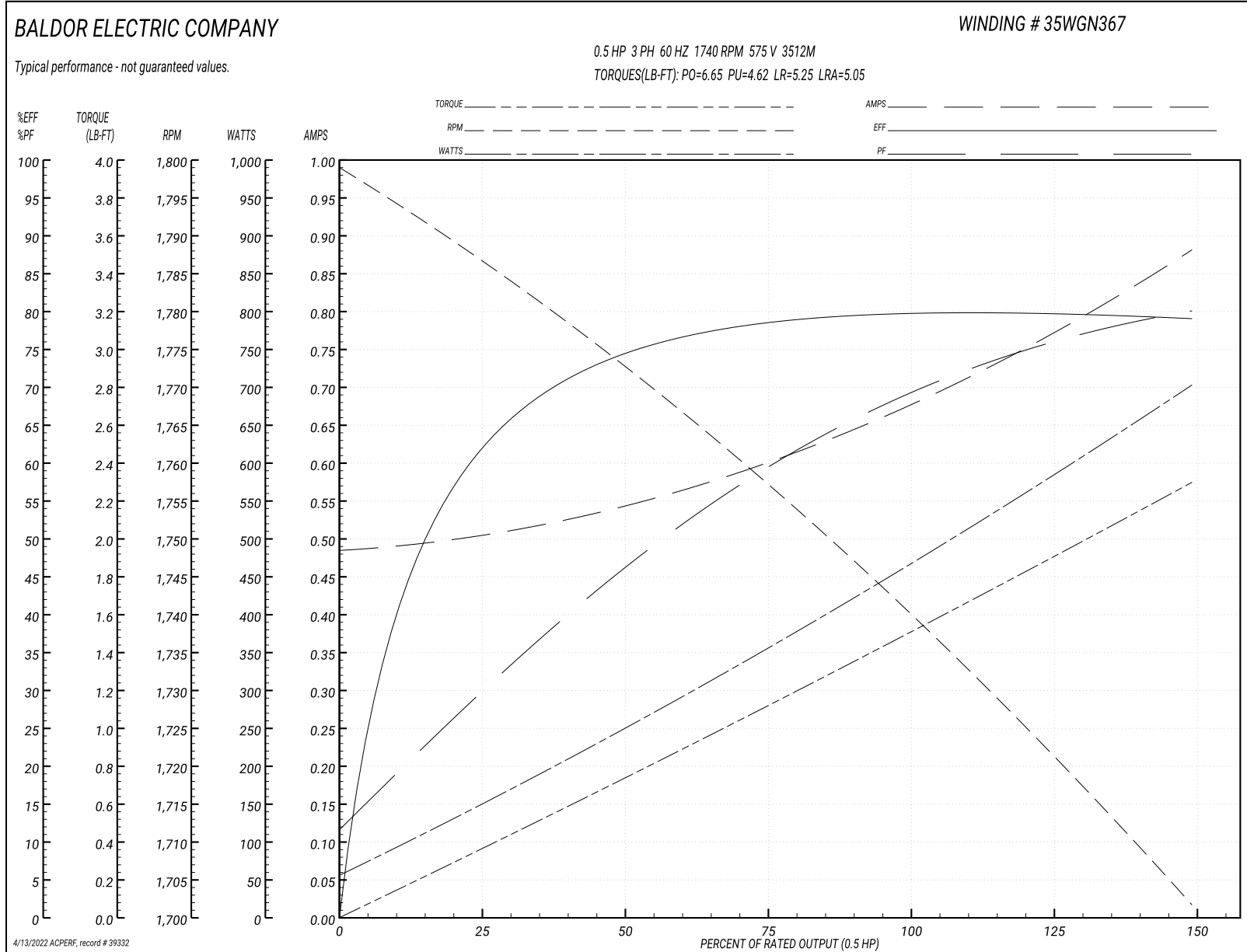
Typical performance - not guaranteed values

<b>Winding: 35WGN367-R004</b>		<b>Type: 3512M</b>		<b>Enclosure: TEFC</b>	
<b>Nameplate Data</b>			<b>575 V, 60 Hz: Single Voltage Motor</b>		
<b>Rated Output (HP)</b>	.5	<b>Full Load Torque</b>	1.49 LB-FT		
<b>Volts</b>	575	<b>Start Configuration</b>	direct on line		
<b>Full Load Amps</b>	.7	<b>Breakdown Torque</b>	6.65 LB-FT		
<b>R.P.M.</b>	1740	<b>Pull-up Torque</b>	4.62 LB-FT		
<b>Hz</b>	60 Phase	<b>Locked-rotor Torque</b>	5.25 LB-FT		
<b>NEMA Design Code</b>	B	<b>Starting Current</b>	5.05 A		
<b>Service Factor (S.F.)</b>	1.15	<b>No-load Current</b>	0.487 A		
<b>NEMA Nom. Eff.</b>	78.5	<b>Line-line Res. @ 25°C</b>	53.6 Ω		
<b>Rating - Duty</b>	40C AMB-CONT	<b>Temp. Rise @ Rated Load</b>	27°C		
<b>S.F. Amps</b>		<b>Temp. Rise @ S.F. Load</b>	31°C		
		<b>Locked-rotor Power Factor</b>	74		
		<b>Rotor inertia</b>	0.0709 LB-FT <sup>2</sup>		

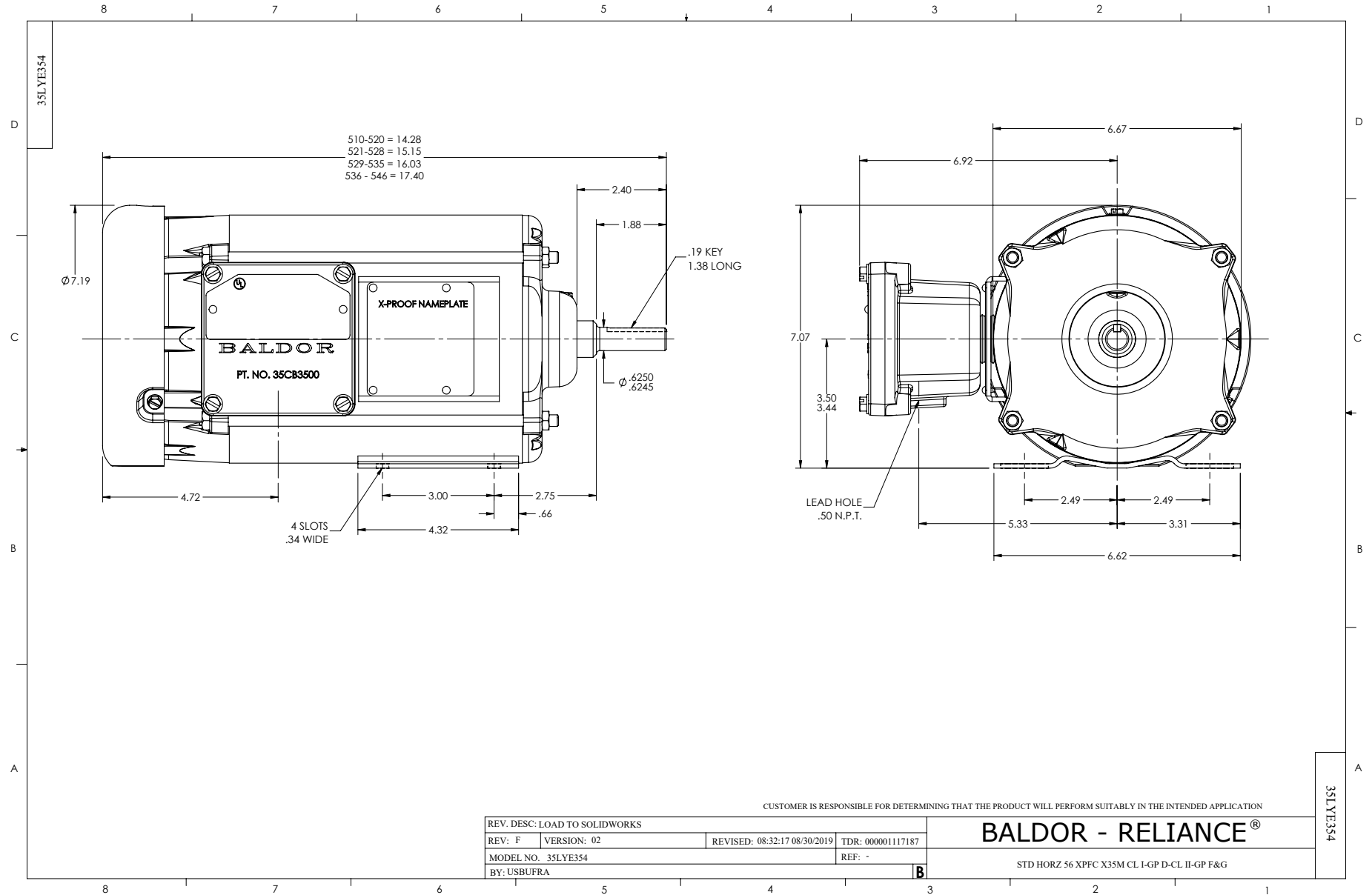
**Load Characteristics 575 V, 60 Hz, 0.5 HP**

<b>% of Rated Load</b>	<b>25</b>	<b>50</b>	<b>75</b>	<b>100</b>	<b>125</b>	<b>150</b>	<b>S.F.</b>
<b>Power Factor</b>	28	45	58	69	75	80	73
<b>Efficiency</b>	59.5	73.1	78.5	79.8	80.1	78.9	80
<b>Speed</b>	1788	1774	1759	1741	1722	1702	1730
<b>Line amperes</b>	0.5	0.536	0.596	0.676	0.766	0.88	0.73

Performance Graph at 575V, 60Hz, 0.5HP Typical performance - Not guaranteed values







CD0006



NOTES:

1. THREE LEAD MOTOR MAY BE EITHER WYE CONNECTED OR DELTA CONNECTED.
2. INTERCHANGE ANY TWO LINE LEADS TO REVERSE ROTATION.
3. OPTIONAL THERMOSTATS ARE PROVIDED WHEN SPECIFIED.
4. ACTUAL NUMBER OF INTERNAL PARALLEL CIRCUITS MAY VARY.
5. LEAD COLORS ARE OPTIONAL. LEADS MUST BE NUMBERED AS SHOWN.

CD0006

REV. DESC: ADD CLASS CONN00000007		
REV. LTR: E	VERSION: 01	TDR: 000001099922
FILE: \AAA\00005\141	REVISED: 10:24:49 02/19/2019	BY: ENBRIRO
MTL: -		

**BALDOR - RELIANCE®**

3PH, SV, 3 LEADS, WYE OR DELTA CONNECTED

SH 1 of 1

Marketing maintained PDF of MN416:

<http://www.baldor.com/support/Literature/Load.ashx/MN416?ManNumber=MN416>