

BALDOR[®] • RELIANCE 

Product Information Packet

XM050542A

0.5HP, 1725RPM, 3PH, 60HZ, 56, XPFC, F1

Part Detail							
Revision:	B	Status:	PRD/A	Change #:		Proprietary:	No
Type:	AC	Elec. Spec:	34WG1543	CD Diagram:	CD0007	Mfg Plant:	
Mech. Spec:		Layout:	34LY5323	Poles:	04	Created Date:	08-06-2020
Base:		Eff. Date:	08-23-2021	Leads:	12#18		

Specs			
Catalog Number:	XM050542A	Heater Indicator:	No Heater
Enclosure:	XPFC	Insulation Class:	B
Frame:	56	Inverter Code:	Not Inverter
Frame Material:	Steel	IP Rating:	NONE
Output @ Frequency:	.500 HP @ 60 HZ	KVA Code:	L
Synchronous Speed @ Frequency:	1800 RPM @ 60 HZ	Lifting Lugs:	No Lifting Lugs
Voltage @ Frequency:	208.0 V @ 60 HZ	Locked Bearing Indicator:	No Locked Bearing
	230.0 V @ 60 HZ	Motor Lead Termination:	Flying Leads
	460.0 V @ 60 HZ	Motor Type:	3416M
XP Class and Group:	CLI GP D; CLII GP F,G	Mounting Arrangement:	F1
XP Division:	Division I	Power Factor:	63
Agency Approvals:	UR	Product Family:	Hazardous Location Motor
	CSA	Pulley Face Code:	Standard
Auxillary Box:	No Auxillary Box	Rodent Screen:	None
Auxillary Box Lead Termination:	None	Shaft Ground Indicator:	No Shaft Grounding
Base Indicator:	Rigid	Shaft Rotation:	Reversible
Bearing Grease Type:	Polyrex EM (-20F +300F)	Speed Code:	Single Speed
Blower:	None	Motor Standards:	NEMA

Current @ Voltage:	1.000 A @ 460.0 V	Starting Method:	Direct on line
	2.000 A @ 230.0 V	Thermal Device - Bearing:	None
	2.100 A @ 208.0 V	Thermal Device - Winding:	None
Design Code:	B	Vibration Sensor Indicator:	No Vibration Sensor
Drip Cover:	No Drip Cover	Winding Thermal 1:	Automatic Thermal Overload
Duty Rating:	CONT	Winding Thermal 1 Location:	EP
Electrically Isolated Bearing:	Not Electrically Isolated	Winding Thermal 2:	None
Feedback Device:	NO FEEDBACK	XP Temp Code:	T3C

Nameplate NP0016XPSL										
NO.		CC								
SER. #										
SPEC	34-0000-0390									
CAT.NO.	XM050542A									
H.P.	.5	T. CODE	T3C							
VOLTS	208-230/460									
AMPS	2.1-2/1									
R.P.M.	1725 34WG1543									
HZ	60	PH	3	CLASS	B					
SER.F.	1.00	DES	B	CODE	L					
RATING	40C AMB-CONT									
FRAME	56	NEMA NOM. EFF	74							
USABLE AT 208V		PF	63							
BLANK	NEMA MG-1 PART 5, IP54									

Parts List		
Part Number	Description	Quantity
SA385406	SA 34-0000-0390	1.000 EA
RA375647	RA 34-0000-0390	1.000 EA
LB1118	LABEL,WARNING (ROLL LABEL)	1.000 EA
LC0007	CONNECTION LABEL	1.000 EA
NP0016XPSL	SS XP UL CSA CC CL-I GP-D CL-II GP-F&G	1.000 EA
85XU0407S04	4X1/4 U DRIVE PIN STAINLESS	2.000 EA
85XU0407S04	4X1/4 U DRIVE PIN STAINLESS	4.000 EA
MN416A01	TAG-INSTAL-MAINT no wire (2100/bx) 4/22	1.000 EA
NP0018W	ALUM UL XP CONDUIT BOX NAMEPLATE	1.000 EA
TPMYJ70KX	THERMAL 3PH 0.75 AUT 120C	1.000 EA
51XT0632A06	6-32X3/8 TY23 HXWS SLDSR	2.000 EA
51XT0632A06	6-32X3/8 TY F HEX HD SLT	2.000 EA
HA6001A03	THERMAL RETAINER (PLATED)	1.000 EA
HA6001A01	THERMAL RETAINER (PLATED)	1.000 EA
NS2500A01	INSULATOR, AUTO THER PROT	1.000 EA
NS2500A05	INSULATOR, AUTO THER PROT	1.000 EA
34FH4002A01SP	IEC FH NO GREASER PRIMED	1.000 EA
51XW1032A06	10-32 X .38, TAPTITE II, HEX WSHR SLTD S	3.000 EA
34FN3002A01SP	EXTERNAL FAN, PLASTIC, .637/.639 HUB W/	1.000 EA
MJ1000A02	GREASE, MOBIL POLYREX EM - 124047	0.050 LB
HA3104A05	THRUBOLT, 5/16-18 X 8.375	4.000 EA
XY3118A12	5/16-18 HEX NUT DIRECTIONAL SERRATION	4.000 EA
34EP3703A01	FR ENDPLATE, MACH XP	1.000 EA
HW5100A03	WAVY WASHER (W1543-017)	1.000 EA

Parts List (continued)		
Part Number	Description	Quantity
34EP3704A01	PU ENDPLATE, MACH XP	1.000 EA
35CB3001A01SP	EXPL CONDUIT BOX, MACH, 1/2" PIPE TAP LE	1.000 EA
HW3001B02	BRASS CUP WASHER W/GROUND SYMBOL TAB,	1.000 EA
11XW1032G06	10-32 X .38, TAPTITE II, HEX WSHR SLTD U	1.000 EA
HW4002A02	1-11.5X2LG PIPE NIPPLE (F/S)	1.000 EA
35CB3500A01SP	CONDUIT BOX LID, MACH	1.000 EA
51XN2520A16	SCREW, HEX WS SLT, ZN, 1/4-20 X 1.00	4.000 EA
SP5037A01	TERMINAL PLATE ASS'Y MODEL 34 - 3 PHASE	1.000 EA
51XW0832A07	8-32 X .44, TAPTITE II, HEX WSHR SLTD SE	2.000 EA
HA1025A13	WSHR,FELT,.38" THICK F-26 CLASS	1.000 EA
HW3021E06	1/8 DIA X 5/8 ROLLPIN (F/S)	1.000 EA
WD1000A16	2-520128-2 AMP FLAG TERMINAL(4M/RL)	12.000 EA
WD1000A16	2-520128-2 AMP FLAG TERMINAL(4M/RL)	12.000 EA
MG1025G29	WILKOFAS, 789.229, DARK CHARCOAL GRAY	0.014 GA
36PA1000	PKG GRP, PRINT PK1016A06	1.000 EA
HW2501D13	KEY, 3/16 SQ X 1.375	1.000 EA
HA7000A04	KEY RETAINER 0.625 DIA SHAFTS	1.000 EA
MJ5000A09	EFI KIT #1578 (400 ML CARTRIDGE OF EFI	0.031 EA

AC Induction Motor Performance Data

Record # 6627

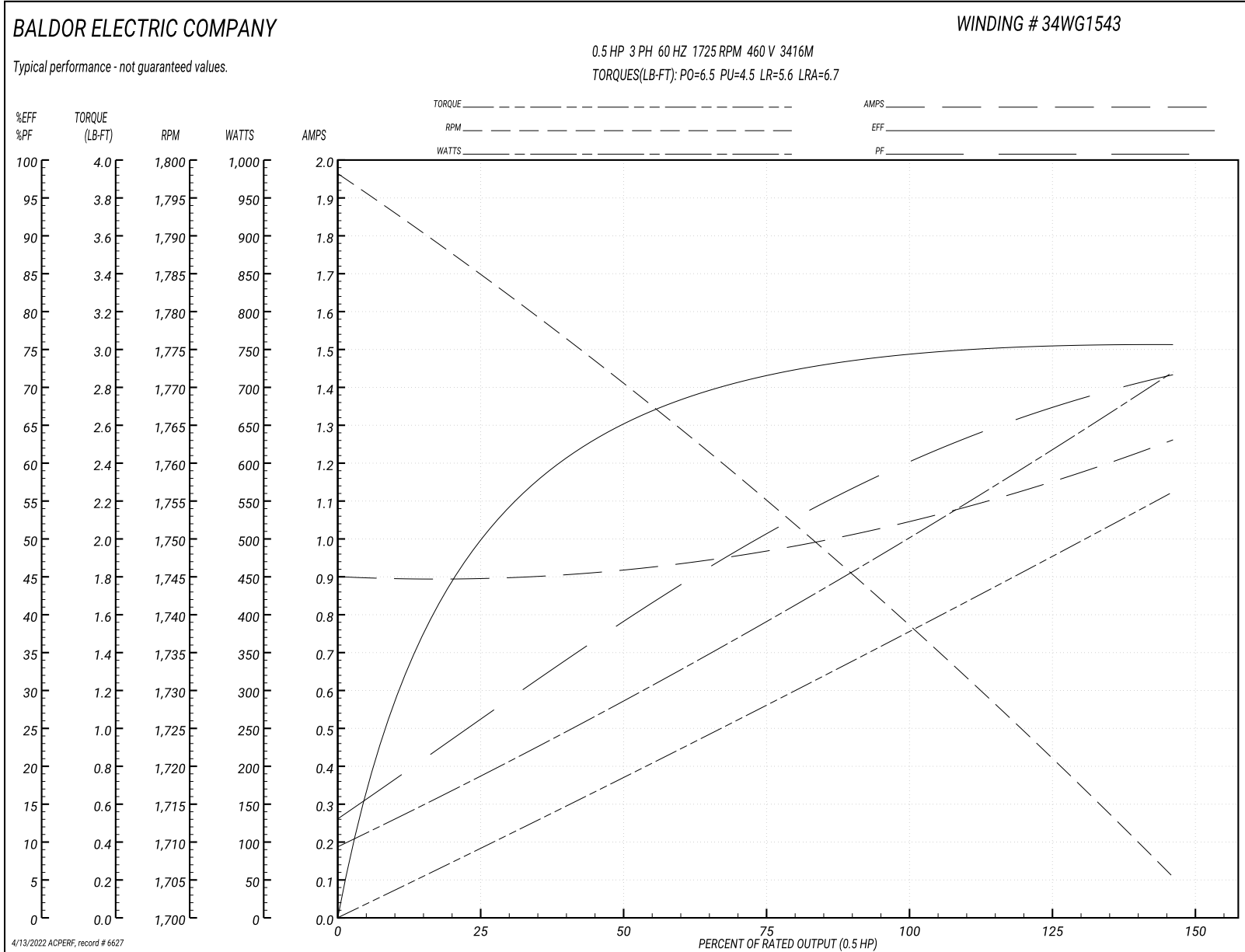
Typical performance - not guaranteed values

Winding: 34WG1543-R002		Type: 3416M		Enclosure: XPFC	
Nameplate Data			460 V, 60 Hz: High Voltage Connection		
Rated Output (HP)	.5	Full Load Torque	1.5 LB-FT		
Volts	208-230/460	Start Configuration	direct on line		
Full Load Amps	2.1-2/1	Breakdown Torque	6.5 LB-FT		
R.P.M.	1725	Pull-up Torque	4.5 LB-FT		
Hz	60 Phase	3	Locked-rotor Torque	5.6 LB-FT	
NEMA Design Code	B	KVA Code	L	Starting Current	6.7 A
Service Factor (S.F.)	1		No-load Current	0.89 A	
NEMA Nom. Eff.	74	Power Factor	63	Line-line Res. @ 25°C	33 Ω
Rating - Duty	40C AMB-CONT		Temp. Rise @ Rated Load	59°C	

Load Characteristics 460 V, 60 Hz, 0.5 HP

% of Rated Load	25	50	75	100	125	150
Power Factor	27	39	51	60	67	72
Efficiency	49.8	65	71.7	74.5	75.6	75.5
Speed	1785	1770	1756	1737	1724	1705
Line amperes	0.9	0.94	0.98	1	1.15	1.27

Performance Graph at 460V, 60Hz, 0.5HP Typical performance - Not guaranteed values



AC Induction Motor Performance Data

Record # 20790

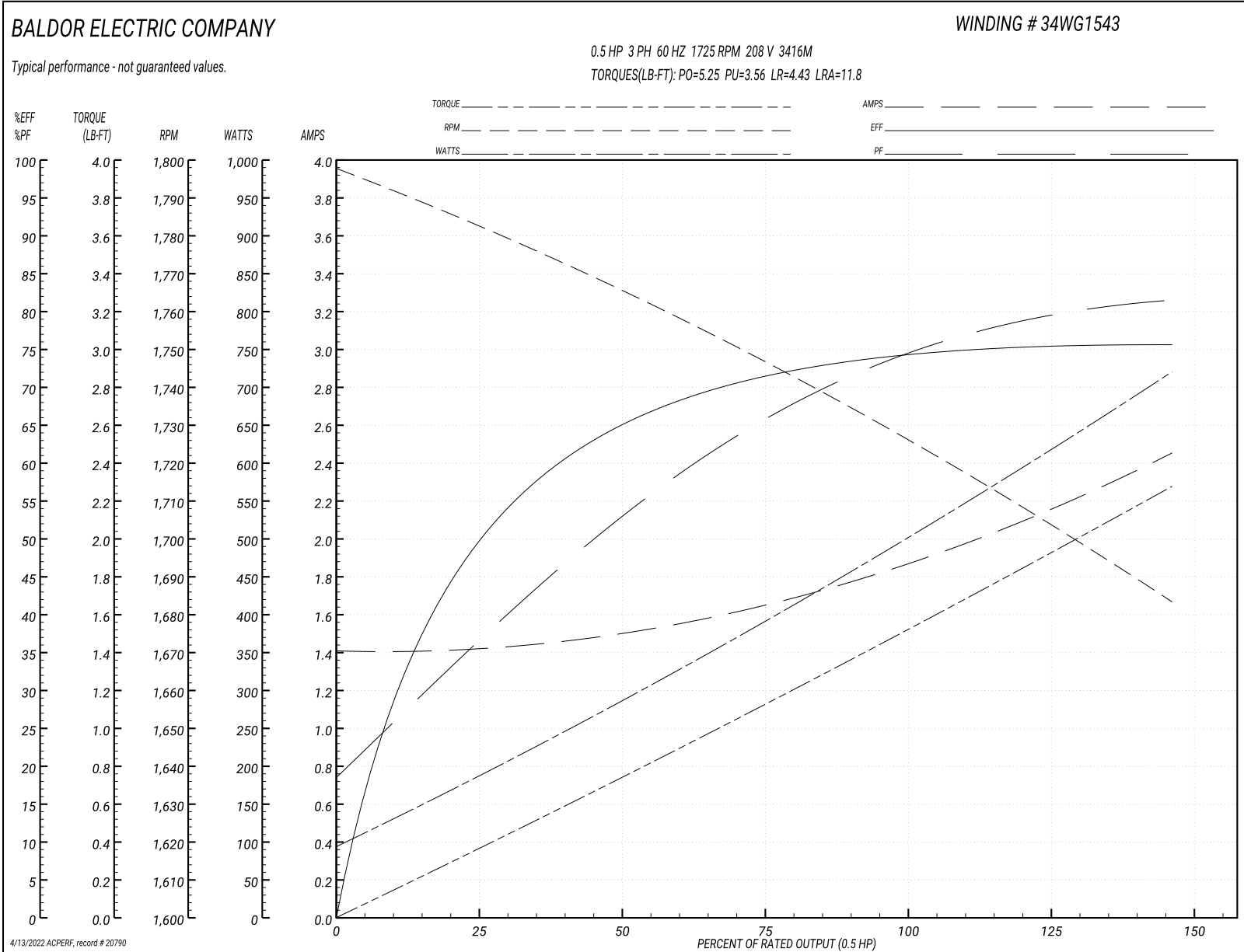
Typical performance - not guaranteed values

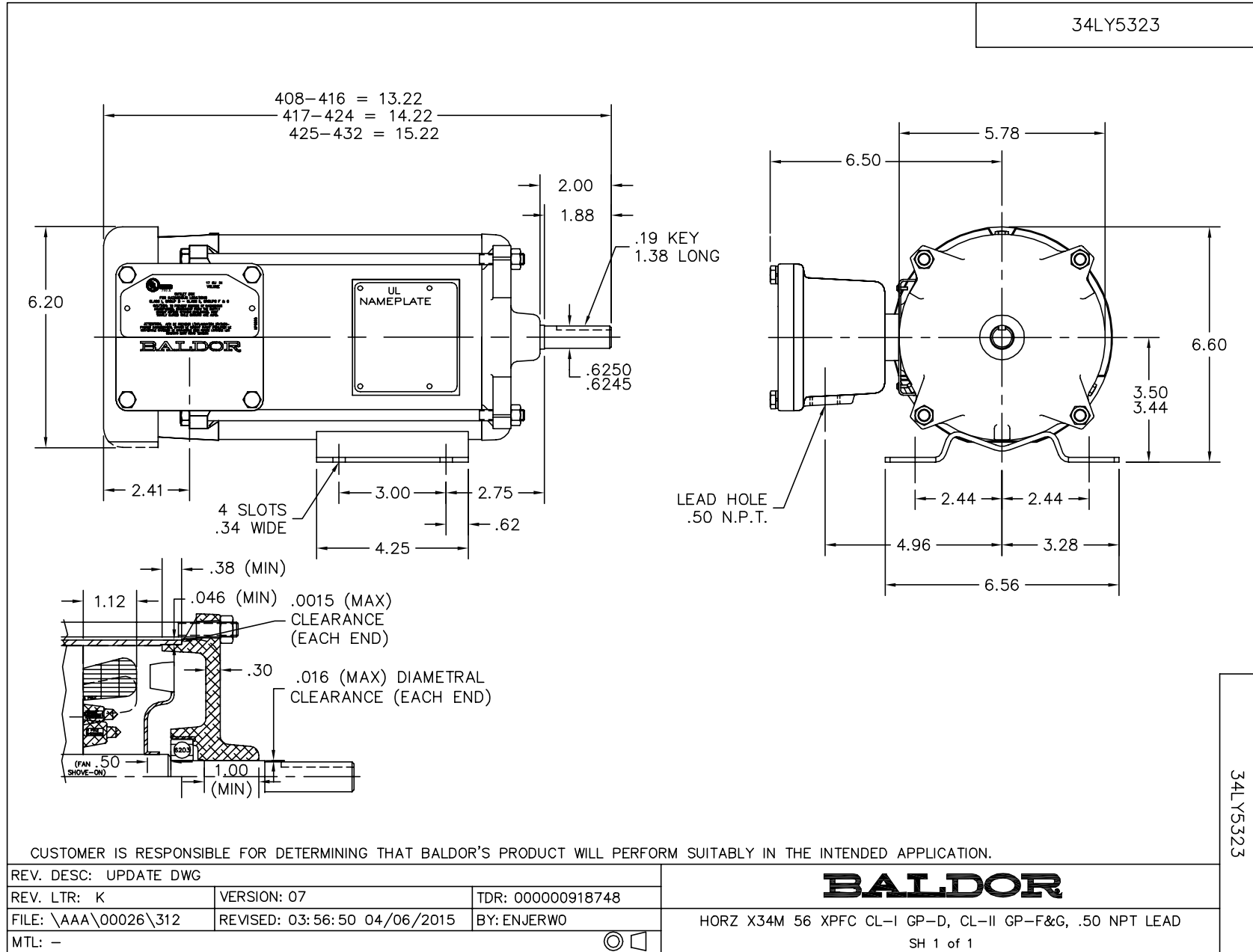
Winding: 34WG1543-R002		Type: 3416M		Enclosure: XPFC	
Nameplate Data			208 V, 60 Hz: Low Voltage Connection		
Rated Output (HP)	.5	Full Load Torque	1.51 LB-FT		
Volts	208-230/460	Start Configuration	direct on line		
Full Load Amps	2.1-2/1	Breakdown Torque	5.25 LB-FT		
R.P.M.	1725	Pull-up Torque	3.56 LB-FT		
Hz	60 Phase	3	Locked-rotor Torque	4.43 LB-FT	
NEMA Design Code	B KVA Code	L	Starting Current	11.8 A	
Service Factor (S.F.)		1	No-load Current	1.39 A	
NEMA Nom. Eff.	74 Power Factor	63	Line-line Res. @ 25°C	8.35 Ω	
Rating - Duty	40C AMB-CONT		Temp. Rise @ Rated Load	50°C	
			Locked-rotor Power Factor	65	
			Rotor inertia	0.0381 LB-FT ²	

Load Characteristics 208 V, 60 Hz, 0.5 HP

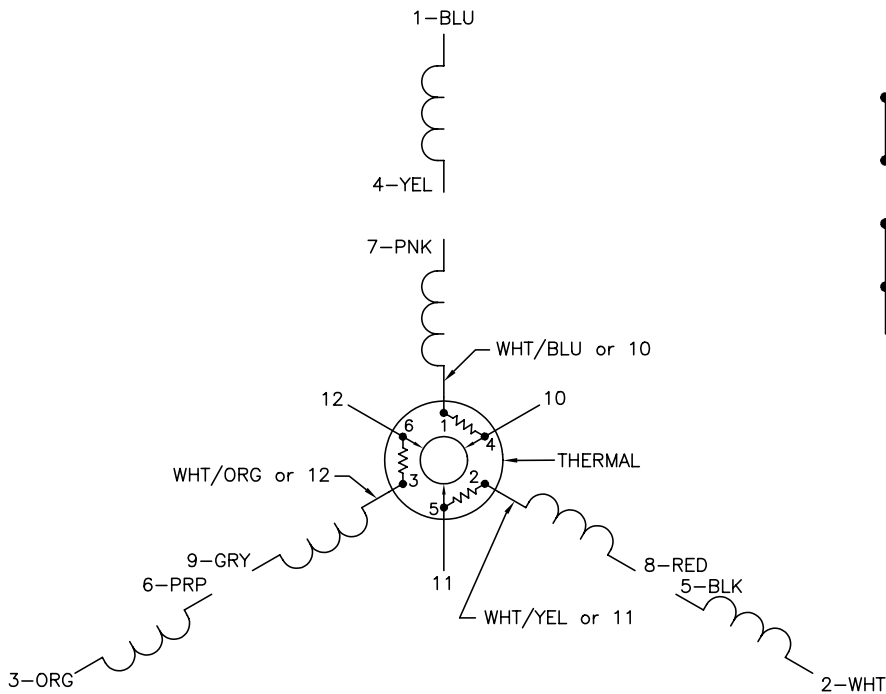
% of Rated Load	25	50	75	100	125	150
Power Factor	37	52	65	77	79	81
Efficiency	49.3	64.9	71.8	74.4	75.5	75.5
Speed	1782	1765	1748	1725	1707	1683
Line amperes	1.43	1.54	1.67	1.79	2.14	2.47

Performance Graph at 208V, 60Hz, 0.5HP Typical performance - Not guaranteed values

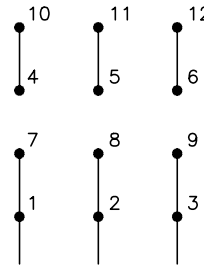




CD0007

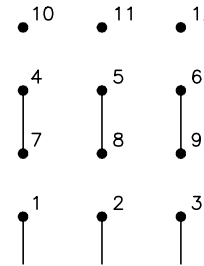


LOW VOLTAGE
(2Y)



LINE

HIGH VOLTAGE
(1Y)



LINE

NOTES:

1. INTERCHANGE ANY TWO LINE LEADS TO REVERSE ROTATION.
2. ACTUAL NUMBER OF INTERNAL PARALLEL CIRCUITS MAY VARY.
3. LEAD COLORS ARE OPTIONAL. LEADS MUST ALWAYS BE NUMBERED AS SHOWN.

REV. DESC: ADDED "CK" PLANT CODE			
REV. LTR: E	BY: EAH	REVISED: 05/06/99 17:1	TDR: 0181040
L00000		FILE: AAA00008370	MDL: -
		MTL: -	

BALDOR ELECTRIC Co.

3PH, DV, THERMAL, 12 LEADS

CD0007

Marketing maintained PDF of MN416:

<http://www.baldor.com/support/Literature/Load.ashx/MN416?ManNumber=MN416>