

BALDOR® • RELIANCE 

Product Information Packet

XM050562A

.5HP, 1140RPM, 3PH, 60HZ, 56, 3516M, XPFC, F1

Part Detail							
Revision:	B	Status:	PRD/A	Change #:		Proprietary:	No
Type:	AC	Elec. Spec:	35WGZ007	CD Diagram:	CD0007	Mfg Plant:	
Mech. Spec:		Layout:	35LYE354	Poles:	06	Created Date:	03-10-2021
Base:		Eff. Date:	06-29-2021	Leads:	12#18		

Specs			
Catalog Number:	XM050562A	Heater Indicator:	No Heater
Enclosure:	XPFC	Insulation Class:	B
Frame:	56	Inverter Code:	Not Inverter
Frame Material:	Steel	IP Rating:	NONE
Output @ Frequency:	.500 HP @ 60 HZ	KVA Code:	L
Synchronous Speed @ Frequency:	1200 RPM @ 60 HZ	Lifting Lugs:	No Lifting Lugs
Voltage @ Frequency:	208.0 V @ 60 HZ	Locked Bearing Indicator:	No Locked Bearing
	230.0 V @ 60 HZ	Motor Lead Termination:	Flying Leads
	460.0 V @ 60 HZ	Motor Type:	3516M
XP Class and Group:	CLI GP D; CLII GP F,G	Mounting Arrangement:	F1
XP Division:	Division I	Power Factor:	55
Agency Approvals:	UR	Product Family:	General Purpose
	CSA	Pulley Face Code:	Standard
Auxillary Box:	No Auxillary Box	Rodent Screen:	None
Auxillary Box Lead Termination:	None	Shaft Ground Indicator:	No Shaft Grounding
Base Indicator:	Rigid	Shaft Rotation:	Reversible
Bearing Grease Type:	Polyrex EM (-20F +300F)	Speed Code:	Single Speed
Blower:	None	Motor Standards:	NEMA

Current @ Voltage:	1.200 A @ 460.0 V	Starting Method:	Direct on line
	2.400 A @ 230.0 V	Thermal Device - Bearing:	None
	2.500 A @ 208.0 V	Thermal Device - Winding:	Normally Closed Thermostat
Design Code:	B	Vibration Sensor Indicator:	No Vibration Sensor
Drip Cover:	No Drip Cover	Winding Thermal 1:	None
Duty Rating:	CONT	Winding Thermal 1 Location:	EP
Electrically Isolated Bearing:	Not Electrically Isolated	Winding Thermal 2:	None
Feedback Device:	NO FEEDBACK	XP Temp Code:	T4

Nameplate NP0016XPSL			
NO.	<input type="text"/>	CC	<input type="text"/>
SER. #	<input type="text"/>		
SPEC	35-0000-1067		
CAT.NO.	XM050562A		
H.P.	.5	T. CODE	T4
VOLTS	208-230/460		
AMPS	2.5-2.4/1.2		
R.P.M.	1140 35WGZ007		
HZ	60	PH	3
SER.F.	1.00	DES	B
RATING	40C AMB-CONT		
FRAME	56	NEMA NOM. EFF	70
USABLE AT 208V	<input type="text"/>		
BLANK	NEMA MG-1 PART 5, IP54		

Parts List		
Part Number	Description	Quantity
SA391726	SA 35-0000-1067	1.000 EA
RA382236	RA 35-0000-1067	1.000 EA
LB1118	LABEL,WARNING (ROLL LABEL)	1.000 EA
LC0007	CONNECTION LABEL	1.000 EA
NP0016XPSL	SS XP UL CSA CC CL-I GP-D CL-II GP-F&G	1.000 EA
85XU0407S04	4X1/4 U DRIVE PIN STAINLESS	2.000 EA
85XU0407S04	4X1/4 U DRIVE PIN STAINLESS	4.000 EA
MN416A01	TAG-INSTAL-MAINT no wire (2100/bx) 4/22	1.000 EA
NP0018F	ALUM UL XP CONDUIT BOX NAMEPLATE	1.000 EA
TPMYJ72KX	THERMAL 3PH 0.75 AUT 120C	1.000 EA
51XT0632A06	6-32X3/8 TY23 HXWS SLDSR	2.000 EA
HA6001A01	THERMAL RETAINER (PLATED)	1.000 EA
NS2500A06	INSULATOR,AUTO THER PROT,W/PSA ON 1 SIDE	1.000 EA
35FH4005A01SP	IEC FH NO GREASER W/PRIMED	1.000 EA
51XW1032A06	10-32 X .38, TAPTITE II, HEX WSHR SLTD S	3.000 EA
35FN3002A05SP	EXFN, PLASTIC, 6.376 OD, .638 ID	1.000 EA
51XB1214A16	12-14X1.00 HXWSSLD SERTYB	1.000 EA
MJ1000A02	GREASE, MOBIL POLYREX EM - 124047	0.050 LB
HA3104A06	THRUBOLT 5/16-18 X 8.50 OHIO ROD	4.000 EA
XY3118A12	5/16-18 HEX NUT DIRECTIONAL SERRATION	4.000 EA
35EP3700A01SP	FR ENDPLATE, XPFC	1.000 EA
HW5100A03	WAVY WASHER (W1543-017)	1.000 EA
35EP3701A01	PU ENDPLATE, XPFC - 205 BRG	1.000 EA
35CB3001A01SP	EXPL CONDUIT BOX, MACH, 1/2" PIPE TAP LE	1.000 EA

Parts List (continued)		
Part Number	Description	Quantity
11XW1032G06	10-32 X .38, TAPTITE II, HEX WSHR SLTD U	1.000 EA
HW3001B01	BRASS CUP WASHER, FOR #10 SCREW	1.000 EA
35CB3500A01SP	CONDUIT BOX LID, MACH	1.000 EA
51XN2520A16	SCREW, HEX WS SLT, ZN, 1/4-20 X 1.00	4.000 EA
MG1500Y02	WILKOPON PRIMER YELLOW	0.022 GA
MG1025G29	WILKOFASST, 789.229, DARK CHARCOAL GRAY	0.022 GA
36PA1000	PKG GRP, PRINT PK1016A06	1.000 EA
HW2501D13	KEY, 3/16 SQ X 1.375	1.000 EA
HA7000A04	KEY RETAINER 0.625 DIA SHAFTS	1.000 EA

AC Induction Motor Performance Data

Record # 16919

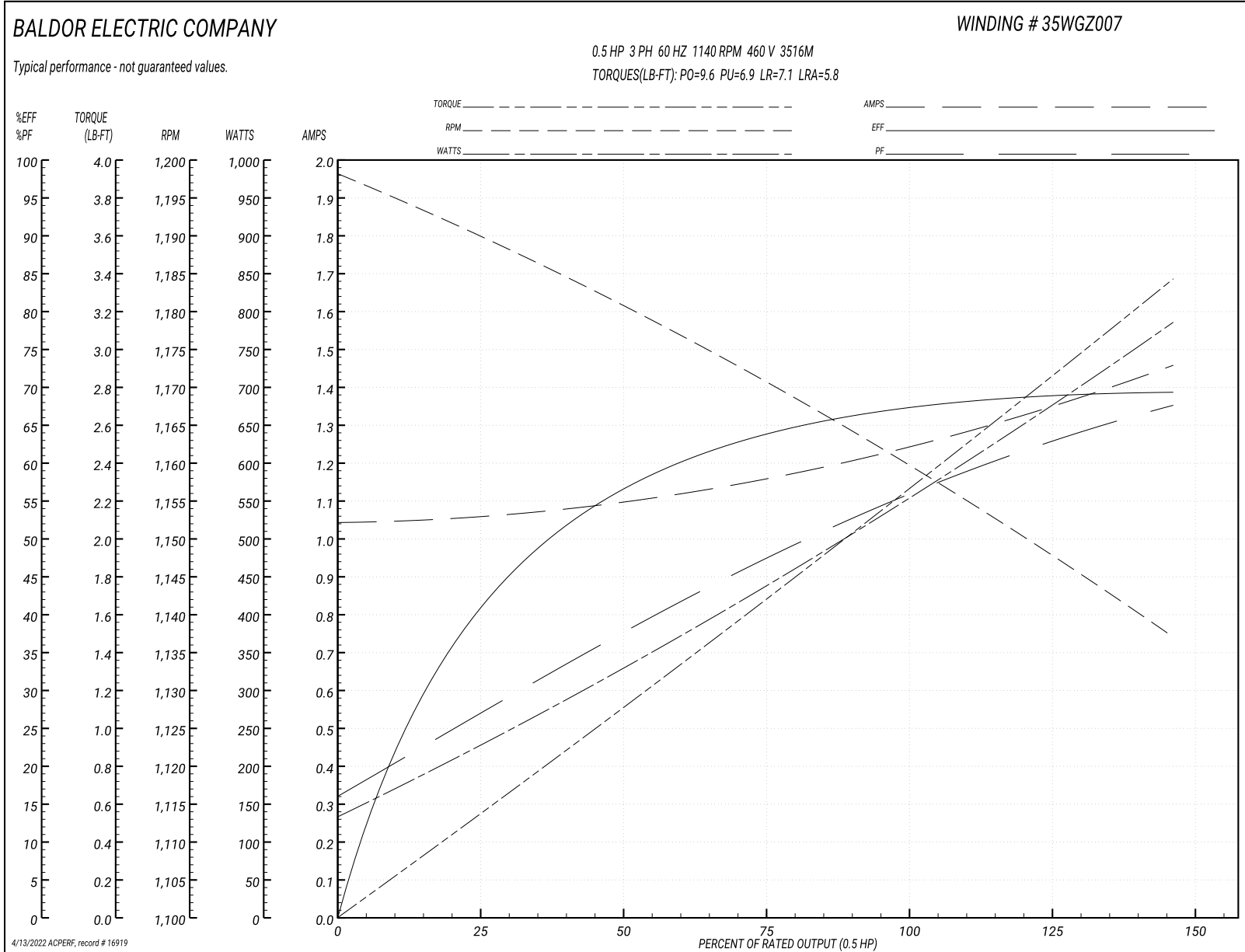
Typical performance - not guaranteed values

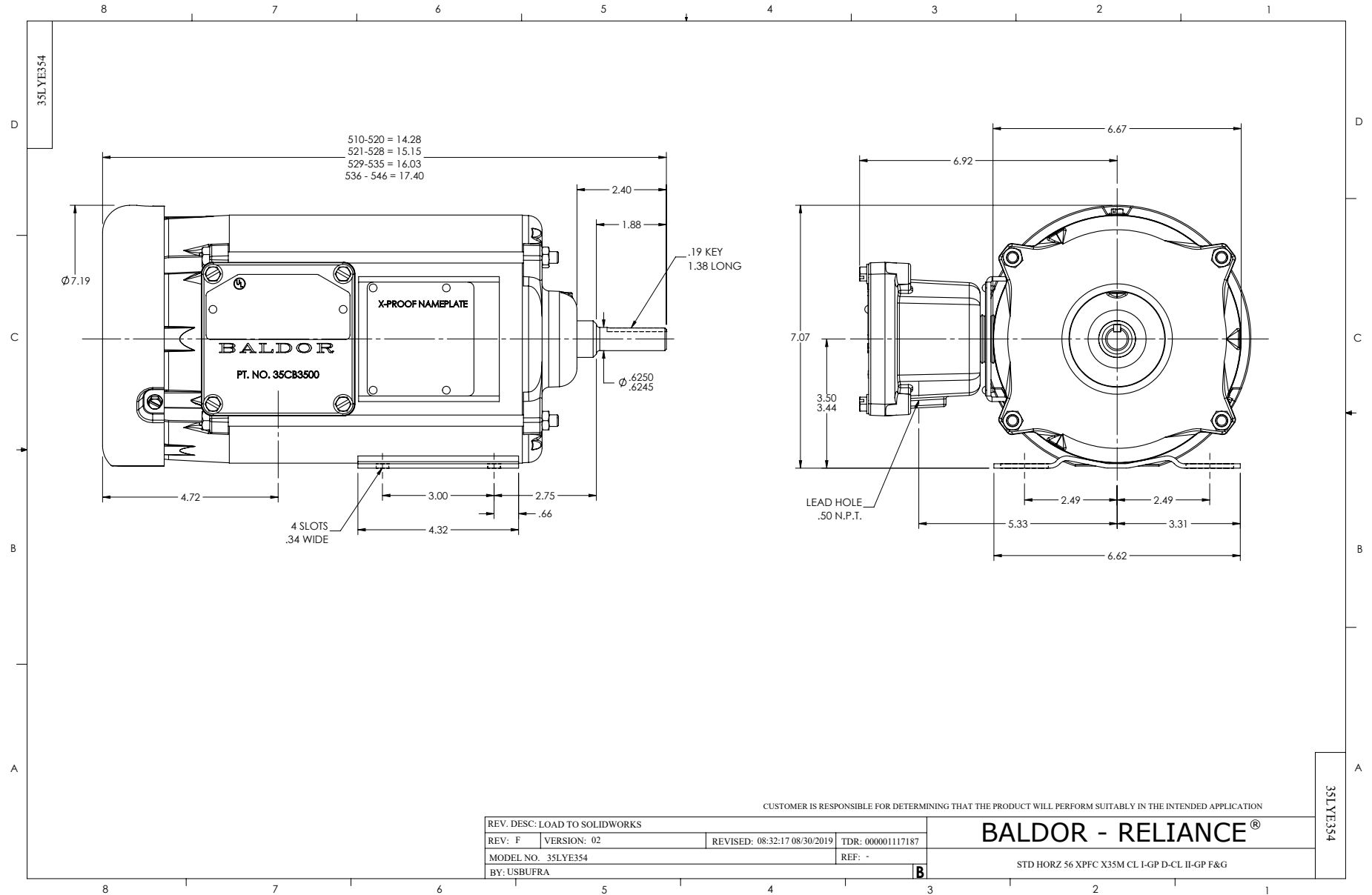
Winding: 35WGZ007-R002		Type: 3516M		Enclosure: XPFC	
Nameplate Data			460 V, 60 Hz: High Voltage Connection		
Rated Output (HP)	.5	Full Load Torque	2.25 LB-FT		
Volts	208-230/460	Start Configuration	direct on line		
Full Load Amps	2.5-2.4/1.2	Breakdown Torque	9.6 LB-FT		
R.P.M.	1140	Pull-up Torque	6.9 LB-FT		
Hz	60 Phase	Locked-rotor Torque	7.1 LB-FT		
NEMA Design Code	B	Starting Current	5.8 A		
Service Factor (S.F.)	1	No-load Current	1.05 A		
NEMA Nom. Eff.	70	Line-line Res. @ 25°C	37.1 Ω		
Rating - Duty	40C AMB-CONT	Temp. Rise @ Rated Load	47°C		
		Locked-rotor Power Factor	71		
		Rotor inertia	0.0949 LB-FT ²		

Load Characteristics 460 V, 60 Hz, 0.5 HP

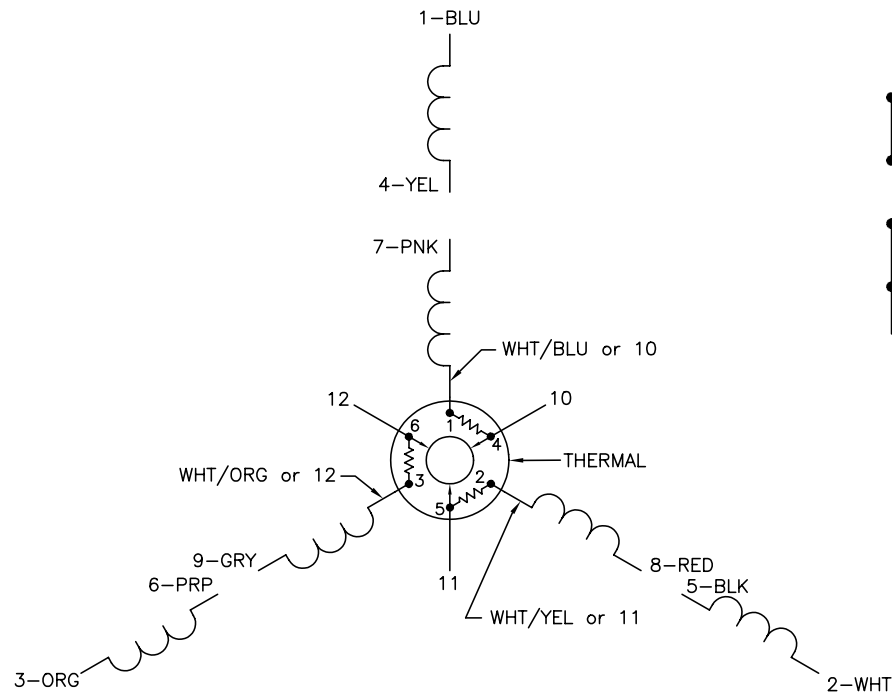
% of Rated Load	25	50	75	100	125	150
Power Factor	25	37	47	56	63	68
Efficiency	39	57	64	68	69	69
Speed	1190	1181	1170	1160	1149	1137
Line amperes	1.05	1.1	1.15	1.25	1.35	1.45

Performance Graph at 460V, 60Hz, 0.5HP Typical performance - Not guaranteed values

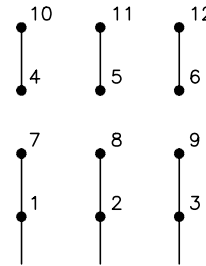




CD0007

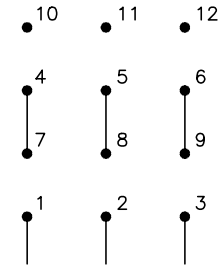


LOW VOLTAGE
(2Y)



LINE

HIGH VOLTAGE
(1Y)



LINE

NOTES:

1. INTERCHANGE ANY TWO LINE LEADS TO REVERSE ROTATION.
2. ACTUAL NUMBER OF INTERNAL PARALLEL CIRCUITS MAY VARY.
3. LEAD COLORS ARE OPTIONAL. LEADS MUST ALWAYS BE NUMBERED AS SHOWN.

REV. DESC: ADDED "CK" PLANT CODE			
REV. LTR: E	BY: EAH	REVISED: 05/06/99 17:1	TDR: 0181040
L00000		FILE: AAA00008370	MDL: -
		MTL: -	

BALDOR ELECTRIC Co.

3PH, DV, THERMAL, 12 LEADS

CD0007

Marketing maintained PDF of MN416:

<http://www.baldor.com/support/Literature/Load.ashx/MN416?ManNumber=MN416>