

**BALDOR® • RELIANCE** 

**Product Information Packet**

**XM05122**

**1//0.75HP,3450//2885RPM,3PH,60//50HZ,56**

Part Detail							
Revision:	-	Status:	PRD/A	Change #:		Proprietary:	No
Type:	AC	Elec. Spec:	35WGS921	CD Diagram:	CD0005	Mfg Plant:	
Mech. Spec:		Layout:	35LYE354	Poles:	02	Created Date:	03-23-2021
Base:		Eff. Date:	04-08-2021	Leads:	9#18		

Specs			
Catalog Number:	XM05122	Duty Rating:	CONT
Enclosure:	XPFC	Electrically Isolated Bearing:	Not Electrically Isolated
Frame:	56	Feedback Device:	NO FEEDBACK
Frame Material:	Steel	Heater Indicator:	No Heater
Output @ Frequency:	1.000 HP @ 60 HZ	Insulation Class:	F
	.750 HP @ 50 HZ	Inverter Code:	Inverter Duty
Synchronous Speed @ Frequency:	3600 RPM @ 60 HZ	IP Rating:	NONE
Voltage @ Frequency:	190.0 V @ 50 HZ	KVA Code:	L
	460.0 V @ 60 HZ	Lifting Lugs:	No Lifting Lugs
	230.0 V @ 60 HZ	Locked Bearing Indicator:	No Locked Bearing
	380.0 V @ 50 HZ	Motor Lead Termination:	Flying Leads
XP Class and Group:	CLI GP D; CLII GP F,G	Motor Type:	3516M
XP Division:	Division I	Mounting Arrangement:	F1
Agency Approvals:	UR	Power Factor:	82
	CSA EEV	Product Family:	General Purpose
	CSA	Pulley Face Code:	Standard
Auxillary Box:	No Auxillary Box	Rodent Screen:	None
Auxillary Box Lead Termination:	None	Shaft Ground Indicator:	No Shaft Grounding

<b>Base Indicator:</b>	Rigid	<b>Shaft Rotation:</b>	Reversible
<b>Bearing Grease Type:</b>	Polyrex EM (-20F +300F)	<b>Speed Code:</b>	Single Speed
<b>Blower:</b>	None	<b>Motor Standards:</b>	NEMA
<b>Constant Torque Speed Range:</b>	6	<b>Starting Method:</b>	Direct on line
<b>Current @ Voltage:</b>	2.800 A @ 230.0 V	<b>Thermal Device - Bearing:</b>	None
	2.600 A @ 190.0 V	<b>Thermal Device - Winding:</b>	Normally Closed Thermostat
	1.400 A @ 460.0 V	<b>Vibration Sensor Indicator:</b>	No Vibration Sensor
	1.300 A @ 380.0 V	<b>Winding Thermal 1:</b>	None
<b>Design Code:</b>	B	<b>Winding Thermal 2:</b>	None
<b>Drip Cover:</b>	No Drip Cover	<b>XP Temp Code:</b>	T3C

<b>Nameplate NP0887XPSLEV</b>									
<b>NO.</b>					<b>CC</b>	010A			
<b>S/N</b>					<b>TEMP CODE</b>	T3C			
<b>SPEC.</b>	35-0000-1086				<b>INV.TYPE</b>	PWM			
<b>CAT.NO.</b>	XM05122				<b>C HP FR</b>	60		<b>C HP TO</b>	90
<b>HP</b>	1//0.75				<b>CT HZ FROM</b>	6		<b>CT HZ TO</b>	60
<b>VOLTS</b>	230/460//190/380				<b>VT HZ FROM</b>	6		<b>VT HZ TO</b>	60
<b>AMPS</b>	2.8/1.4//2.6/1.3				<b>MAG CUR</b>	1.4/.7			
<b>RPM</b>	3450//2885				<b>MX RPM</b>	5400			
<b>HZ</b>	60//50		<b>PH</b>	3	<b>CL</b>	F		<b>NOM.EFF.</b>	82.5
<b>SER.F.</b>	1.00		<b>DES</b>	B	<b>SL HZ</b>	2		<b>WK2</b>	0.05
<b>FRAME</b>	56		<b>RATING</b>	40C AMB-CONT					
NEMA MG-1 PART 5, IP54									
1.15 SF ON SINE WAVE									

Parts List		
Part Number	Description	Quantity
SA392322	SA 35-0000-1086	1.000 EA
RA382874	RA 35-0000-1086	1.000 EA
LB1119N	WARNING LABEL	1.000 EA
LC0145B01	CONNECTION LABEL	1.000 EA
NP0887XPSLEV	SS XP INV UL CSA-EEV CC CL-I GP-D	1.000 EA
85XU0407S04	4X1/4 U DRIVE PIN STAINLESS	2.000 EA
85XU0407S04	4X1/4 U DRIVE PIN STAINLESS	4.000 EA
MN416A01	TAG-INSTAL-MAINT no wire (2100/bx) 4/22	1.000 EA
NP0018F	ALUM UL XP CONDUIT BOX NAMEPLATE	1.000 EA
35FH4005A01SP	IEC FH NO GREASER W/PRIMED	1.000 EA
51XW1032A06	10-32 X .38, TAPTITE II, HEX WSHR SLTD S	3.000 EA
34FN3002B01	EXTERNAL FAN, PLASTIC, .637/.639 HUB W/	1.000 EA
51XB0818A12	8-18X3/4 HXWSSLD SERTYB	1.000 EA
MJ1000A02	GREASE, MOBIL POLYREX EM - 124047	0.050 LB
HA3104A06	THRUBOLT 5/16-18 X 8.50 OHIO ROD	4.000 EA
XY3118A12	5/16-18 HEX NUT DIRECTIONAL SERRATION	4.000 EA
35EP3700A01SP	FR ENDPLATE, XPFC	1.000 EA
HW5100A03	WAVY WASHER (W1543-017)	1.000 EA
35EP3701A01	PU ENDPLATE, XPFC - 205 BRG	1.000 EA
35CB3001A01SP	EXPL CONDUIT BOX, MACH, 1/2" PIPE TAP LE	1.000 EA
11XW1032G06	10-32 X .38, TAPTITE II, HEX WSHR SLTD U	1.000 EA
HW3001B01	BRASS CUP WASHER, FOR #10 SCREW	1.000 EA
35CB3500A01SP	CONDUIT BOX LID, MACH	1.000 EA
51XN2520A16	SCREW, HEX WS SLT, ZN, 1/4-20 X 1.00	4.000 EA

<b>Parts List (continued)</b>		
<b>Part Number</b>	<b>Description</b>	<b>Quantity</b>
MG1500Y02	WILKOPON PRIMER YELLOW	0.022 GA
MG1025G29	WILKOFASST, 789.229, DARK CHARCOAL GRAY	0.022 GA
36PA1000	PKG GRP, PRINT PK1016A06	1.000 EA
HW2501D13	KEY, 3/16 SQ X 1.375	1.000 EA
HA7000A04	KEY RETAINER 0.625 DIA SHAFTS	1.000 EA

**AC Induction Motor Performance Data**

Record # 58785

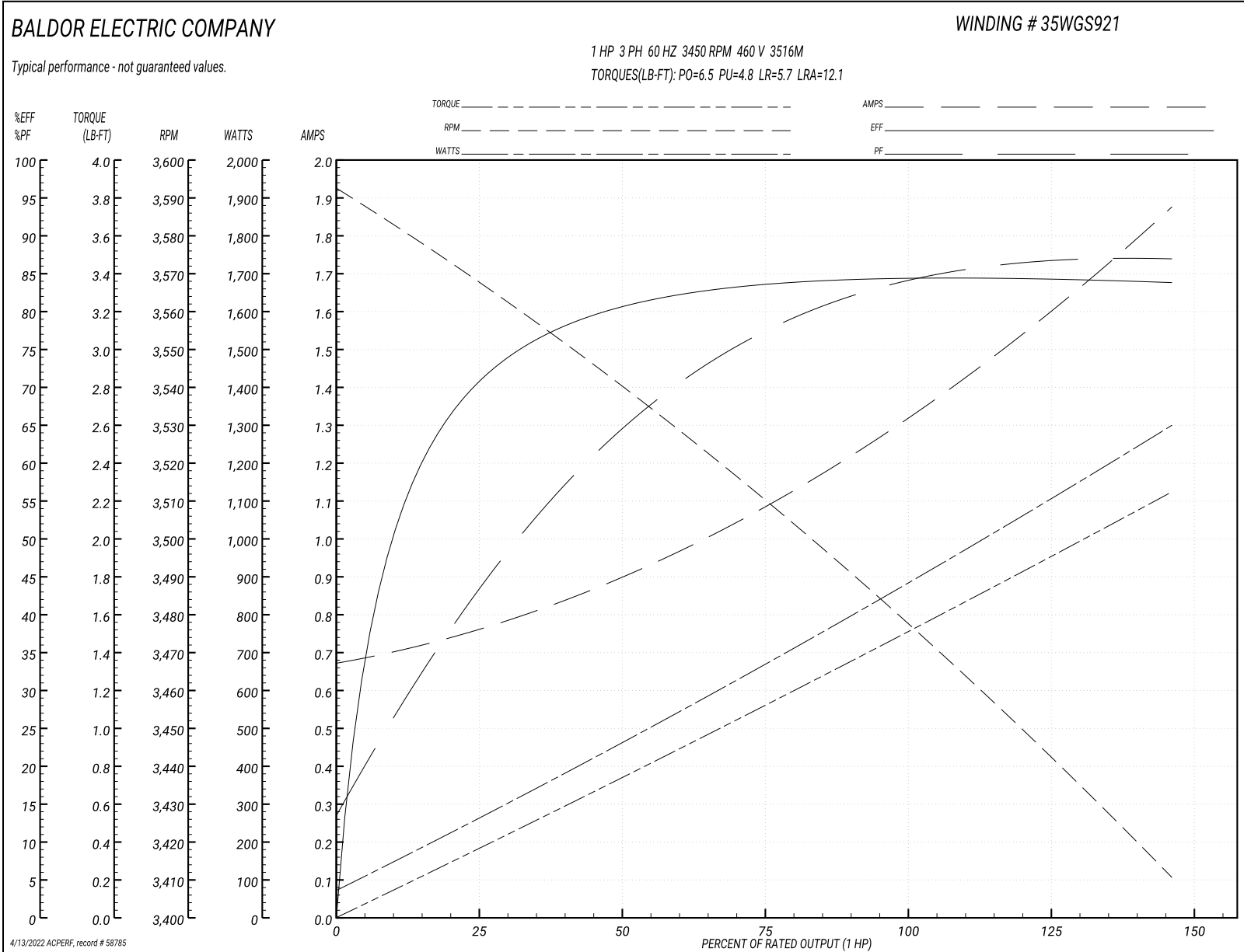
Typical performance - not guaranteed values

Winding: 35WGS921-R006		Type: 3516M	Enclosure: XPFC	
<b>Nameplate Data</b>			<b>460 V, 60 Hz: High Voltage Connection</b>	
Rated Output (HP)	1	Full Load Torque	1.5 LB-FT	
Volts	230/460	Start Configuration	direct on line	
Full Load Amps	2.8/1.4	Breakdown Torque	6.5 LB-FT	
R.P.M.	3450	Pull-up Torque	4.8 LB-FT	
Hz	60 Phase	Locked-rotor Torque	5.7 LB-FT	
NEMA Design Code	B KVA Code	Starting Current	12.1 A	
Service Factor (S.F.)	1	No-load Current	0.68 A	
NEMA Nom. Eff.	84 Power Factor	Line-line Res. @ 25°C	15.1 Ω	
Rating - Duty	40C AMB-CONT	Temp. Rise @ Rated Load	33°C	
		Locked-rotor Power Factor	56.1	
		Rotor inertia	0.0443 LB-FT <sup>2</sup>	

**Load Characteristics 460 V, 60 Hz, 1 HP**

% of Rated Load	25	50	75	100	125	150
Power Factor	44	65	77	84	87	89
Efficiency	70.5	80.5	83.6	84.6	84.4	83.7
Speed	3567	3539	3510	3479	3446	3410
Line amperes	0.75	0.9	1.09	1.33	1.56	1.88

Performance Graph at 460V, 60Hz, 1.0HP Typical performance - Not guaranteed values





**AC Induction Motor Performance Data**

Record # 84243

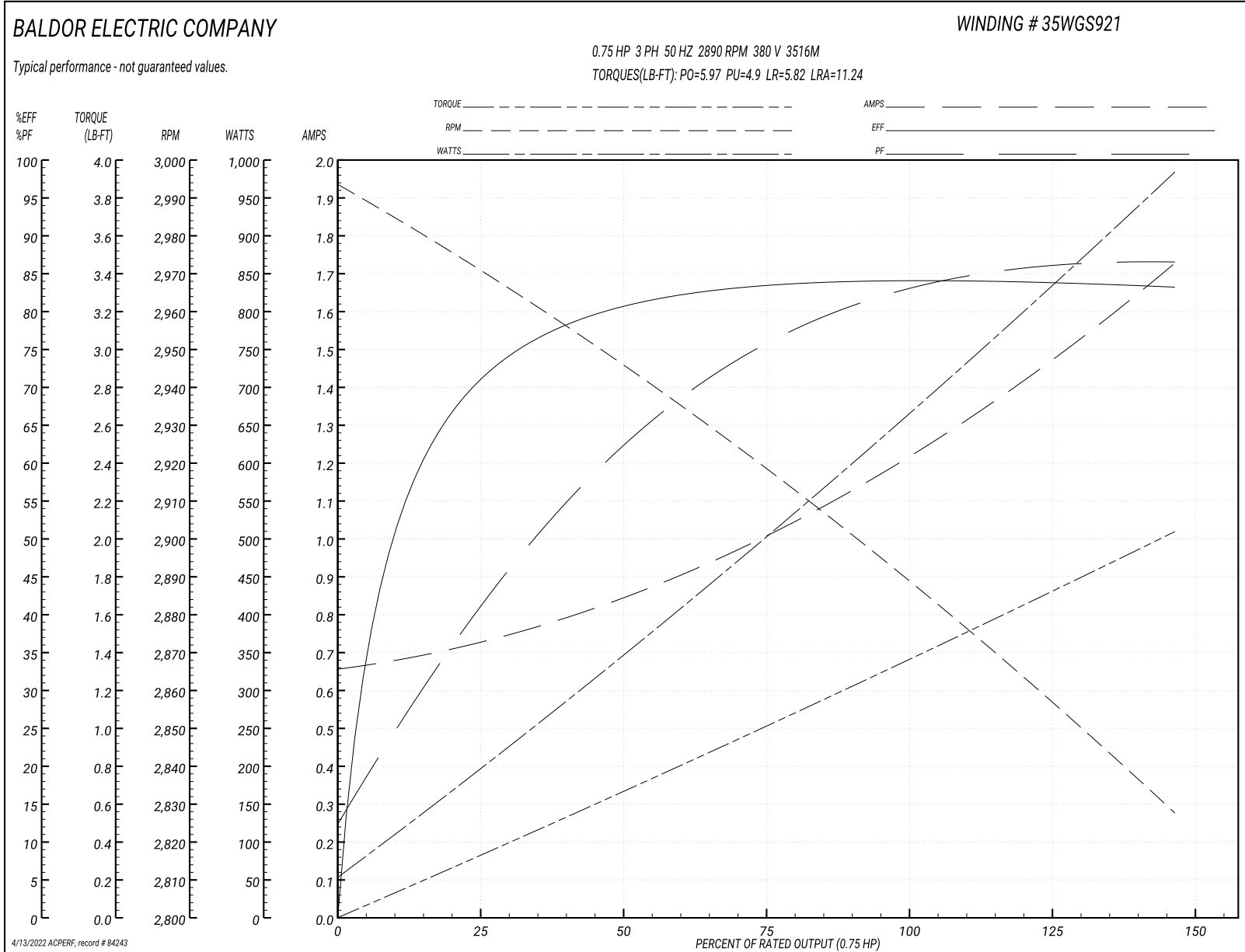
Typical performance - not guaranteed values

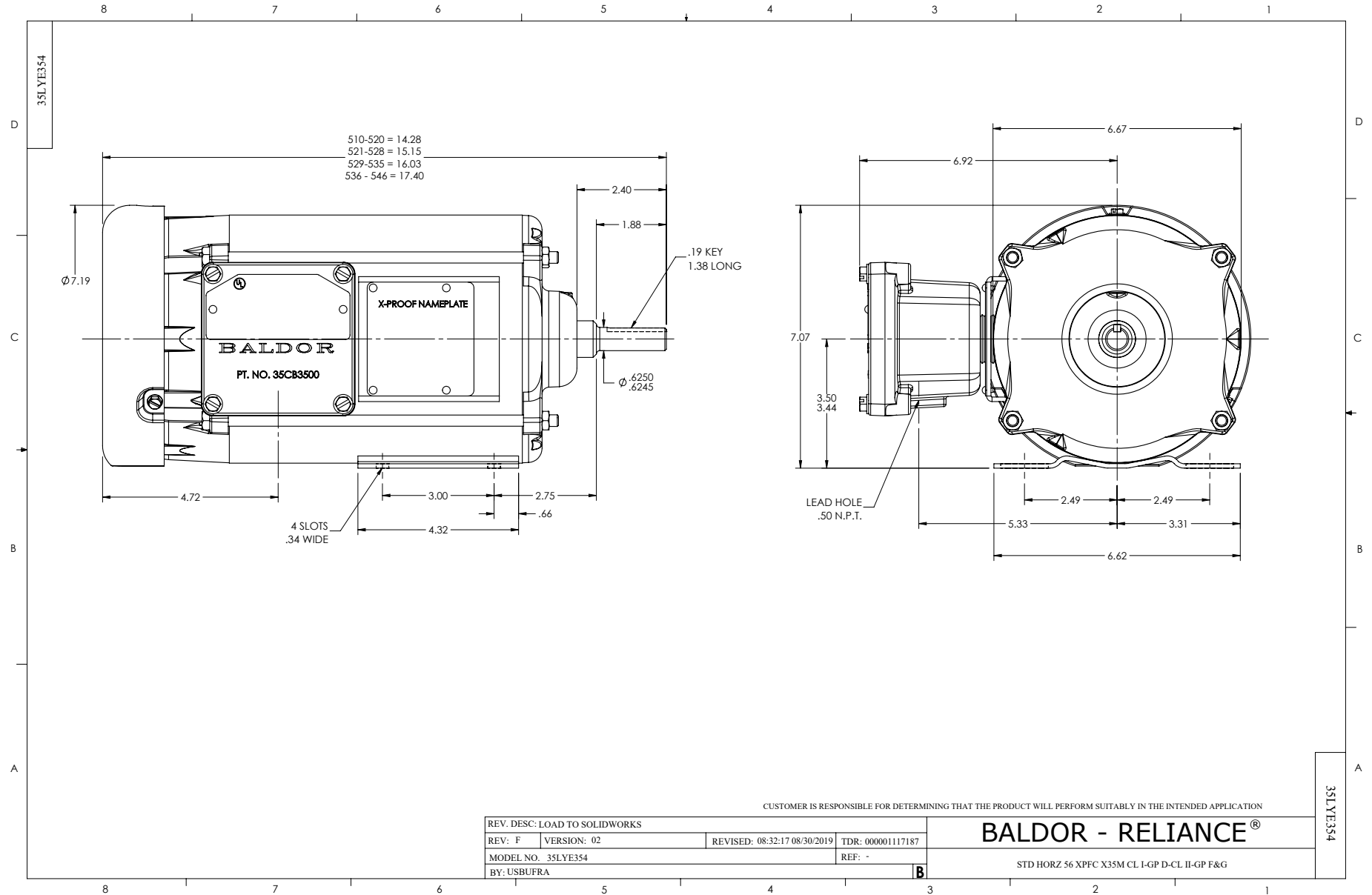
<b>Winding: 35WGS921-R020</b>		<b>Type: 3516M</b>		<b>Enclosure: XPFC</b>	
<b>Nameplate Data</b>			<b>380 V, 50 Hz: High Voltage Connection</b>		
<b>Rated Output (HP)</b>	1//.75		<b>Full Load Torque</b>	1.35 LB-FT	
<b>Volts</b>	230/460//190/380		<b>Start Configuration</b>	direct on line	
<b>Full Load Amps</b>	2.8/1.4//2.6/1.3		<b>Breakdown Torque</b>	5.97 LB-FT	
<b>R.P.M.</b>	3450//2885		<b>Pull-up Torque</b>	4.9 LB-FT	
<b>Hz</b>	60//50	<b>Phase</b>	3	<b>Locked-rotor Torque</b>	5.82 LB-FT
<b>NEMA Design Code</b>	B	<b>KVA Code</b>	L	<b>Starting Current</b>	11.24 A
<b>Service Factor (S.F.)</b>	1		<b>No-load Current</b>	0.664 A	
<b>NEMA Nom. Eff.</b>	84	<b>Power Factor</b>	82	<b>Line-line Res. @ 25°C</b>	15.2 Ω
<b>Rating - Duty</b>	40C AMB-CONT		<b>Temp. Rise @ Rated Load</b>	29°C	
			<b>Locked-rotor Power Factor</b>	56.1	
			<b>Rotor inertia</b>	0.0443 lb-ft <sup>2</sup>	

**Load Characteristics 380 V, 50 Hz, 0.75 HP**

<b>% of Rated Load</b>	<b>25</b>	<b>50</b>	<b>75</b>	<b>100</b>	<b>125</b>	<b>150</b>
<b>Power Factor</b>	43	63	76	82	87	87
<b>Efficiency</b>	70.4	80.7	83.7	83.9	84.1	83
<b>Speed</b>	2970	2945	2918	2890	2860	2827
<b>Line amperes</b>	0.717	0.846	1.01	1.23	1.44	1.73

Performance Graph at 380V, 50Hz, 0.75HP Typical performance - Not guaranteed values

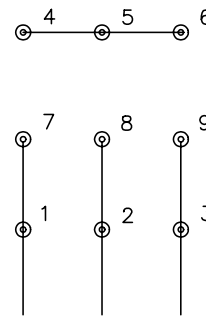




CD0005

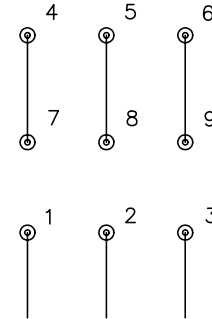


LOW VOLTAGE  
(2Y)



LINE

HIGH VOLTAGE  
(1Y)



LINE

NOTES:

1. INTERCHANGE ANY TWO LINE LEADS TO REVERSE ROTATION.
2. OPTIONAL THERMOSTATS ARE PROVIDED WHEN SPECIFIED.
3. ACTUAL NUMBER OF INTERNAL PARALLEL CIRCUITS MAY BE A MULTIPLE OF THOSE SHOWN ABOVE.
4. LEAD COLORS ARE OPTIONAL. LEADS MUST ALWAYS BE NUMBERED AS SHOWN.

REV. DESC: REVISE TO SHOW OPTIONAL COLORS			
REV. LTR: E	BY: JLP	REVISED: 01/19/99 10:15	TDR: 0171435
900000		FILE: AAA00005140	MDL: -
		MTL: -	

**BALDOR ELECTRIC Co.**

3PH, DV, 9 LEADS

CD0005

Marketing maintained PDF of MN416:

<http://www.baldor.com/support/Literature/Load.ashx/MN416?ManNumber=MN416>