

BALDOR® • RELIANCE 

Product Information Packet

XM05242

2//1.5HP,1755//1455RPM,3PH,60//50HZ,56,3

Part Detail							
Revision:	B	Status:	PRD/A	Change #:		Proprietary:	No
Type:	AC	Elec. Spec:	35WGA0038	CD Diagram:	CD0005	Mfg Plant:	
Mech. Spec:		Layout:	35LYE354	Poles:	04	Created Date:	04-22-2021
Base:		Eff. Date:	02-14-2022	Leads:	9#18		

Specs			
Catalog Number:	XM05242	Feedback Device:	NO FEEDBACK
Enclosure:	XPFC	Front Shaft Indicator:	None
Frame:	56	Heater Indicator:	No Heater
Frame Material:	Steel	Insulation Class:	F
Output @ Frequency:	1.500 HP @ 50 HZ	Inverter Code:	Inverter Duty
	2.000 HP @ 60 HZ	IP Rating:	NONE
Synchronous Speed @ Frequency:	1800 RPM @ 60 HZ	KVA Code:	J
Voltage @ Frequency:	380.0 V @ 50 HZ	Lifting Lugs:	No Lifting Lugs
	230.0 V @ 60 HZ	Locked Bearing Indicator:	No Locked Bearing
	190.0 V @ 50 HZ	Motor Lead Quantity/Wire Size:	9 @ 18 AWG
	460.0 V @ 60 HZ	Motor Lead Termination:	Flying Leads
XP Class and Group:	CLI GP D; CLII GP F,G	Motor Type:	X3532M
XP Division:	Division I	Mounting Arrangement:	F1
Agency Approvals:	UR	Power Factor:	80
	CSA EEV	Product Family:	General Purpose
	CSA	Pulley End Bearing Type:	Ball
Auxillary Box:	No Auxillary Box	Pulley Face Code:	Standard
Auxillary Box Lead Termination:	None	Pulley Shaft Indicator:	Standard

Base Indicator:	Rigid	Rodent Screen:	None
Bearing Grease Type:	Polyrex EM (-20F +300F)	RoHS Status:	ROHS NON-COMPLIANT
Blower:	None	Shaft Ground Indicator:	No Shaft Grounding
Constant Torque Speed Range:	1.7	Shaft Rotation:	Reversible
Current @ Voltage:	5.800 A @ 208.0 V	Shaft Slinger Indicator:	No Slinger
	5.400 A @ 230.0 V	Speed Code:	Single Speed
	5.000 A @ 190.0 V	Motor Standards:	NEMA
	2.700 A @ 460.0 V	Starting Method:	Direct on line
	2.500 A @ 380.0 V	Thermal Device - Bearing:	None
Design Code:	B	Thermal Device - Winding:	Normally Closed Thermostat
Drip Cover:	No Drip Cover	Vibration Sensor Indicator:	No Vibration Sensor
Duty Rating:	CONT	Winding Thermal 1:	None
Electrically Isolated Bearing:	Not Electrically Isolated	Winding Thermal 2:	None
		XP Temp Code:	T3C

Nameplate NP0887XPSLEV											
NO.						CC	010A				
S/N						TEMP CODE	T3C				
SPEC.	35-0000-1139					INV.TYPE	PWM				
CAT.NO.	XM05242					C HP FR	60		C HP TO	90	
HP	2//1.5					CT HZ FROM	6		CT HZ TO	60	
VOLTS	230/460//190/380					VT HZ FROM	6		VT HZ TO	60	
AMPS	5.4/2.7//5.0/2.5					MAG CUR	1.4				
RPM	1755//1455					MX RPM	2700				
HZ	60//50		PH	3		CL	F		NOM.EFF.	88.5	
SER.F.	1.00		DES	B		SL HZ	1.3		WK2	0.236	
FRAME	56		RATING	40C AMB-CONT							
NEMA MG-1 PART 5, IP54											
1.15 SF ON SINE WAVE											

Parts List		
Part Number	Description	Quantity
SA392989	SA 35-0000-1139	1.000 EA
RA383600	RA 35-0000-1139	1.000 EA
LB1119N	WARNING LABEL	1.000 EA
LC0145B01	CONNECTION LABEL	1.000 EA
NP0887XPSLEV	SS XP INV UL CSA-EEV CC CL-I GP-D	1.000 EA
85XU0407S04	4X1/4 U DRIVE PIN STAINLESS	2.000 EA
85XU0407S04	4X1/4 U DRIVE PIN STAINLESS	4.000 EA
MN416A01	TAG-INSTAL-MAINT no wire (2100/bx) 4/22	1.000 EA
NP0018F	ALUM UL XP CONDUIT BOX NAMEPLATE	1.000 EA
35FH4005A01SP	IEC FH NO GREASER W/PRIMED	1.000 EA
51XW1032A06	10-32 X .38, TAPTITE II, HEX WSHR SLTD S	3.000 EA
35FN3002A05SP	EXFN, PLASTIC, 6.376 OD, .638 ID	1.000 EA
51XB1214A16	12-14X1.00 HXWSSLD SERTYB	1.000 EA
MJ1000A02	GREASE, MOBIL POLYREX EM - 124047	0.050 LB
HA3104A23	THRUBOLT- 5/16-18 X11.625OHIO ROD	4.000 EA
XY3118A12	5/16-18 HEX NUT DIRECTIONAL SERRATION	4.000 EA
35EP3700A01SP	FR ENDPLATE, XPFC	1.000 EA
HW5100A03	WAVY WASHER (W1543-017)	1.000 EA
35EP3701A01	PU ENDPLATE, XPFC - 205 BRG	1.000 EA
35CB3001A01SP	EXPL CONDUIT BOX, MACH, 1/2" PIPE TAP LE	1.000 EA
11XW1032G06	10-32 X .38, TAPTITE II, HEX WSHR SLTD U	1.000 EA
HW3001B01	BRASS CUP WASHER, FOR #10 SCREW	1.000 EA
35CB3500A01SP	CONDUIT BOX LID, MACH	1.000 EA
51XN2520A16	SCREW, HEX WS SLT, ZN, 1/4-20 X 1.00	4.000 EA

Parts List (continued)		
Part Number	Description	Quantity
MG1500Y02	WILKOPON PRIMER YELLOW	0.022 GA
MG1025G29	WILKOFAS, 789.229, DARK CHARCOAL GRAY	0.022 GA
36PA1001	PKG GRP, PRINT PK1017A06	1.000 EA
HW2501D13	KEY, 3/16 SQ X 1.375	1.000 EA
HA7000A04	KEY RETAINER 0.625 DIA SHAFTS	1.000 EA

AC Induction Motor Performance Data

Record # 88083

Typical performance - not guaranteed values

Winding: 35WGA0038-R001			Type: 3540M	Enclosure: XPFC	
Nameplate Data			460 V, 60 Hz: High Voltage Connection		
Rated Output (HP)	2//1.5		Full Load Torque	5.993 LB-FT	
Volts	230/460//190/380		Start Configuration	direct on line	
Full Load Amps	5.4/2.7//5.0/2.50		Breakdown Torque	26.3 LB-FT	
R.P.M.	1755//1455		Pull-up Torque	11.2 LB-FT	
Hz	60 Phase	3	Locked-rotor Torque	18.5 LB-FT	
NEMA Design Code	B KVA Code	L	Starting Current	24.9 A	
Service Factor (S.F.)	1.15		No-load Current	1.43 A	
NEMA Nom. Eff.	88.5 Power Factor	79	Line-line Res. @ 25°C	6.6978 Ω	
Rating - Duty	40C AMB-CONT		Temp. Rise @ Rated Load	48°C	
S.F. Amps			Temp. Rise @ S.F. Load	58°C	
			Locked-rotor Power Factor	45.2	
			Rotor inertia	0.236 lb-ft ²	

Load Characteristics 460 V, 60 Hz, 2 HP

% of Rated Load	25	50	75	100	125	150	S.F.
Power Factor	37	58	71	78	82	85	80
Efficiency	82.2	88.1	89.4	89.2	88.4	87.2	88.7
Speed	1790	1780.1	1769.7	1758.3	1746.4	1733.2	1751
Line amperes	1.56	1.84	2.23	2.7	3.21	3.79	3.01

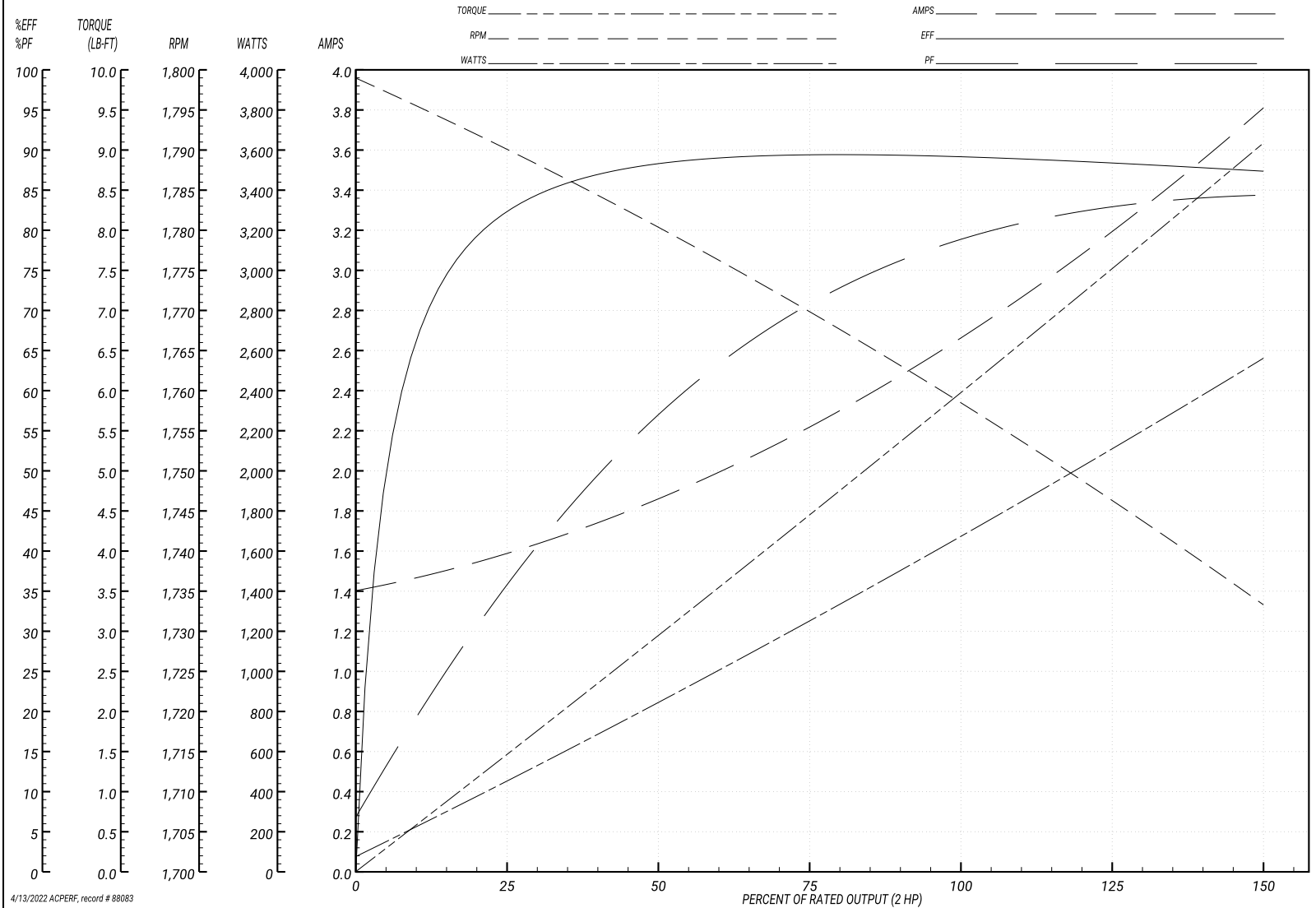
Performance Graph at 460V, 60Hz, 2.0HP Typical performance - Not guaranteed values

BALDOR ELECTRIC COMPANY

WINDING # 35WGA0038

Typical performance - not guaranteed values.

2 HP 3 PH 60 HZ 1758.3 RPM 460 V 3540M
 TORQUES(LB-FT): PO=26.3 PU=11.2 LR=18.5 LRA=24.9



4/13/2022 ACPERF, record # 88083

AC Induction Motor Performance Data

Record # 88086

Typical performance - not guaranteed values

Winding: 35WGA0038-R001		Type: 3540M		Enclosure: XPFC	
Nameplate Data			380 V, 50 Hz: High Voltage Connection		
Rated Output (HP)	2//1.5		Full Load Torque	5.41 LB-FT	
Volts	230/460//190/380		Start Configuration	direct on line	
Full Load Amps	5.4/2.7//5.0/2.50		Breakdown Torque	24.66 LB-FT	
R.P.M.	1755//1455		Pull-up Torque	11.4 LB-FT	
Hz	60 Phase	3	Locked-rotor Torque	18.82 LB-FT	
NEMA Design Code	B KVA Code	L	Starting Current	23.82 A	
Service Factor (S.F.)	1		No-load Current	1.42 A	
NEMA Nom. Eff.	88.5 Power Factor	79	Line-line Res. @ 25°C	6.62 Ω	
Rating - Duty	40C AMB-CONT		Temp. Rise @ Rated Load	43°C	
			Locked-rotor Power Factor	50.4	
			Rotor inertia	0.236 lb-ft ²	

Load Characteristics 380 V, 50 Hz, 1.5 HP

% of Rated Load	25	50	75	100	125	150
Power Factor	35	56	69	77	82	85
Efficiency	80.1	86.7	88.2	88.2	87.3	86
Speed	1491	1482	1472	1462	1451	1439
Line amperes	1.53	1.76	2.11	2.52	2.98	3.5

Performance Graph at 380V, 50Hz, 1.5HP Typical performance - Not guaranteed values

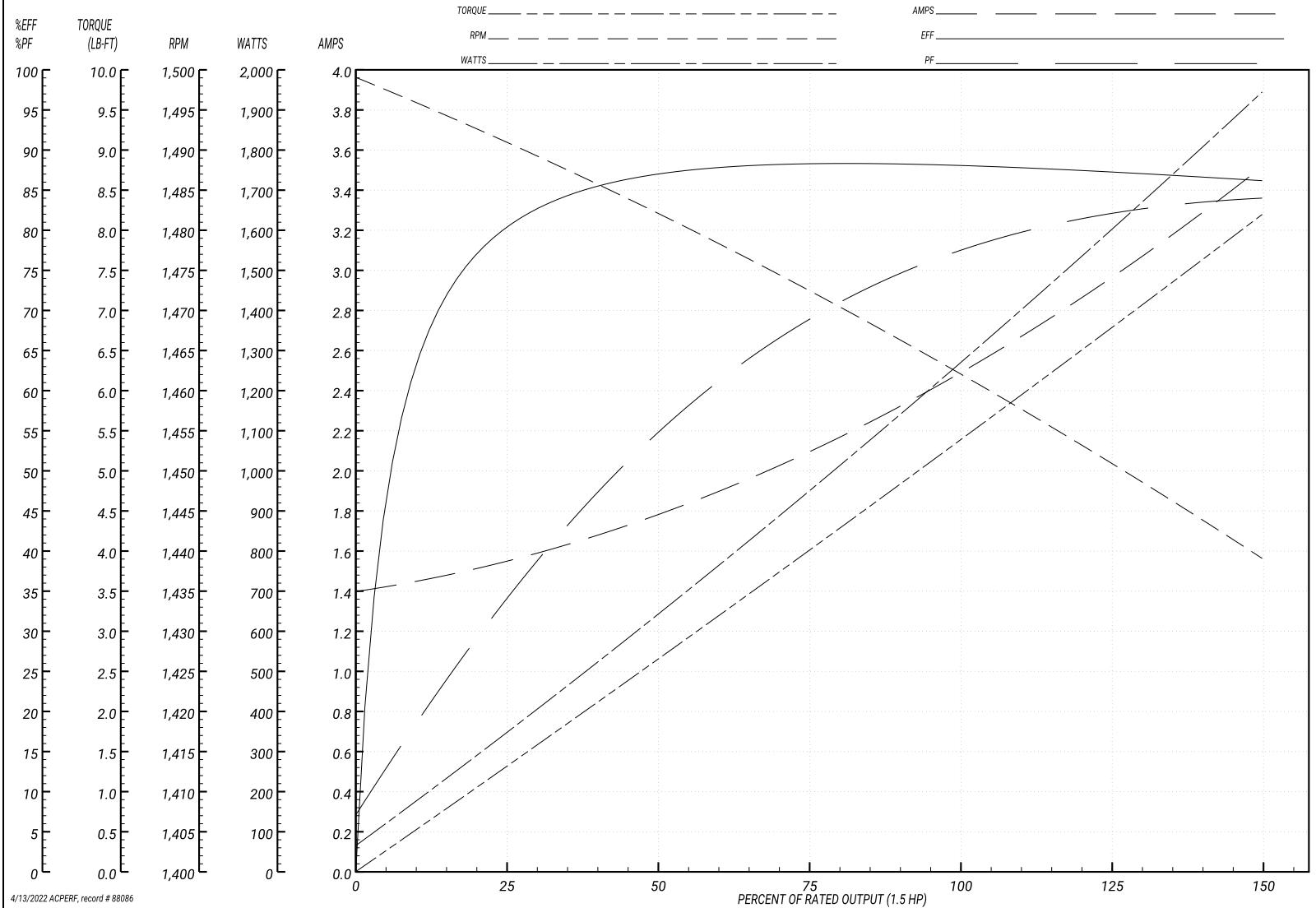
BALDOR ELECTRIC COMPANY

WINDING # 35WGA0038

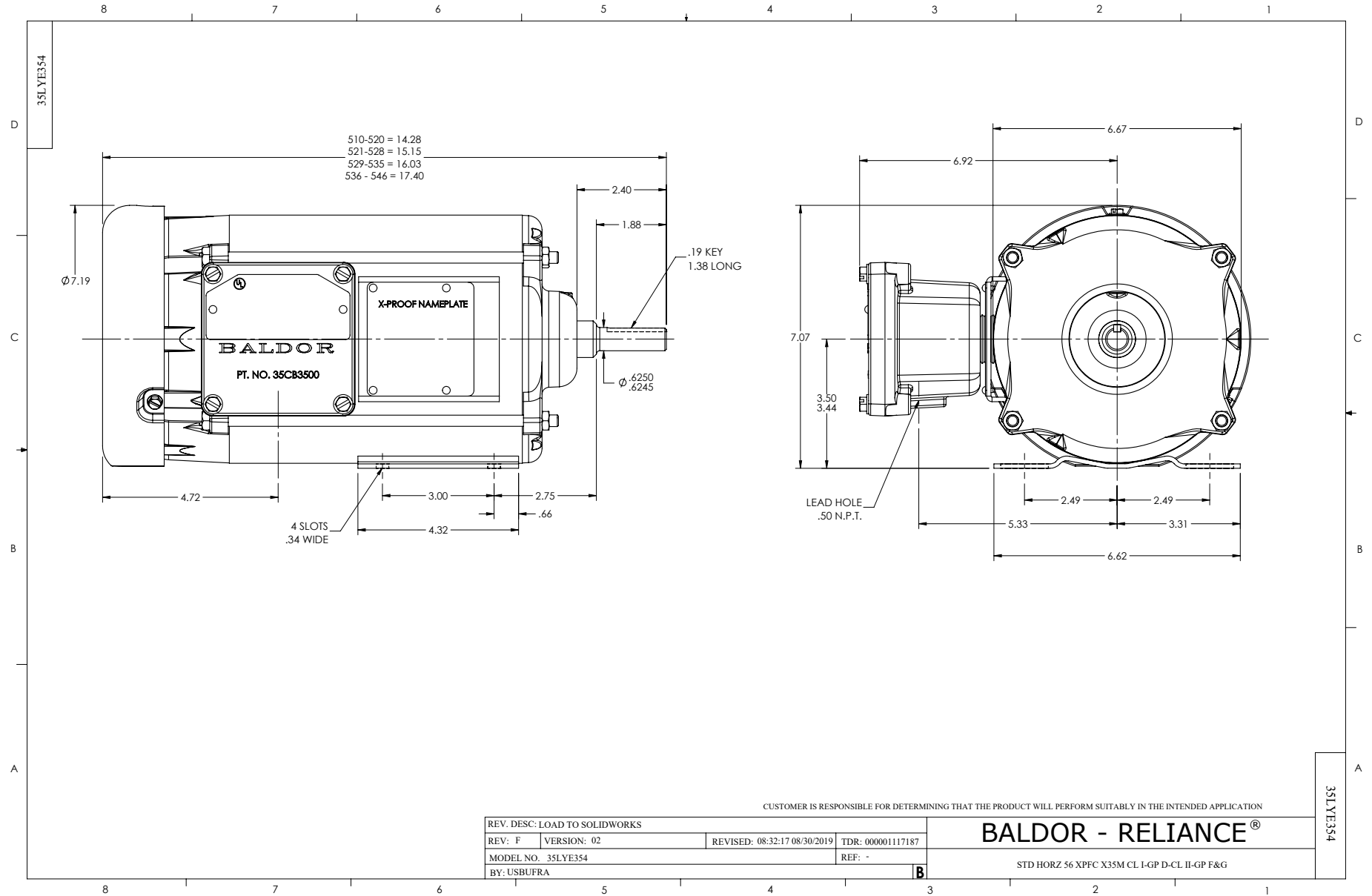
Typical performance - not guaranteed values.

1.5 HP 3 PH 50 HZ 1462 RPM 380 V 3540M

TORQUES(LB-FT): PO=24.66 PU=11.4 LR=18.82 LRA=23.82



4/13/2022 ACPERF, record # 88086



CD0005

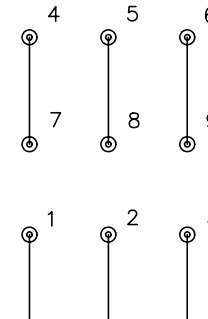


LOW VOLTAGE
(2Y)



LINE

HIGH VOLTAGE
(1Y)



LINE

NOTES:

1. INTERCHANGE ANY TWO LINE LEADS TO REVERSE ROTATION.
2. OPTIONAL THERMOSTATS ARE PROVIDED WHEN SPECIFIED.
3. ACTUAL NUMBER OF INTERNAL PARALLEL CIRCUITS MAY BE A MULTIPLE OF THOSE SHOWN ABOVE.
4. LEAD COLORS ARE OPTIONAL. LEADS MUST ALWAYS BE NUMBERED AS SHOWN.

REV. DESC: REVISE TO SHOW OPTIONAL COLORS			
REV. LTR: E	BY: JLP	REVISED: 01/19/99 10:15	TDR: 0171435
900000		FILE: AAA00005140	MDL: -
		MTL: -	

BALDOR ELECTRIC Co.

3PH, DV, 9 LEADS

CD0005

Marketing maintained PDF of MN416:

<http://www.baldor.com/support/Literature/Load.ashx/MN416?ManNumber=MN416>