

BALDOR® • RELIANCE 

Product Information Packet

XM14142T-5

20M 4P XPFC HOR 143T T'STATS INVERTER

Part Detail							
Revision:	D	Status:	PRD/A	Change #:		Proprietary:	No
Type:	AC	Elec. Spec:	35WGM849	CD Diagram:	CD0006	Mfg Plant:	
Mech. Spec:	35Q558	Layout:	35LYQ558	Poles:	04	Created Date:	12-13-2018
Base:	RG	Eff. Date:	04-29-2021	Leads:	3#18		

Specs			
Catalog Number:	XM14142T-5	Inverter Code:	Inverter Duty
Enclosure:	XPFC	IP Rating:	NONE
Frame:	143T	KVA Code:	L
Frame Material:	Steel	Lifting Lugs:	No Lifting Lugs
Output @ Frequency:	1.000 HP @ 60 HZ	Locked Bearing Indicator:	No Locked Bearing
Synchronous Speed @ Frequency:	1800 RPM @ 60 HZ	Motor Lead Quantity/Wire Size:	3 @ 18 AWG
Voltage @ Frequency:	575.0 V @ 60 HZ	Motor Lead Termination:	Flying Leads
XP Class and Group:	CLI GP D; CLII GP F,G	Motor Type:	X3520M
XP Division:	Division I	Mounting Arrangement:	F1
Agency Approvals:	UR	Power Factor:	71
	CSA EEV	Product Family:	Hazardous Location Motor
	CSA	Pulley End Bearing Type:	Ball
Auxillary Box:	No Auxillary Box	Pulley Face Code:	Standard
Auxillary Box Lead Termination:	None	Pulley Shaft Indicator:	Standard
Base Indicator:	Rigid	Rodent Screen:	None
Bearing Grease Type:	Polyrex EM (-20F +300F)	RoHS Status:	ROHS NON-COMPLIANT
Blower:	None	Shaft Ground Indicator:	No Shaft Grounding
Constant Torque Speed Range:	1.3	Shaft Rotation:	Reversible

Product Information Packet: XM14142T-5 - 20M 4P XPFC HOR 143T T'STATS INVERTER

Current @ Voltage:	1.200 A @ 575.0 V	Shaft Slinger Indicator:	No Slinger
Design Code:	B	Speed Code:	Single Speed
Drip Cover:	No Drip Cover	Motor Standards:	NEMA
Duty Rating:	CONT	Starting Method:	Direct on line
Electrically Isolated Bearing:	Not Electrically Isolated	Thermal Device - Bearing:	None
Feedback Device:	NO FEEDBACK	Thermal Device - Winding:	Normally Closed Thermostat
Front Shaft Indicator:	None	Vibration Sensor Indicator:	No Vibration Sensor
Heater Indicator:	No Heater	Winding Thermal 1:	None
Insulation Class:	F	Winding Thermal 2:	None
		XP Temp Code:	T3C

Nameplate NP0887XPSLEV									
NO.					CC	010A			
S/N					TEMP CODE	T3C			
SPEC.	35Q558M849G1				INV. TYPE	PWM			
CAT.NO.	XM14142T-5				C HP FR	60		C HP TO	90
HP	1				CT HZ FROM	1.3		CT HZ TO	60
VOLTS	575				VT HZ FROM	1.3		VT HZ TO	60
AMPS	1.2				MAG CUR	.8			
RPM	1760				MX RPM	2700			
HZ	60	PH	3	CL	F	NOM.EFF.	85.5		
SER.F.	1.00		DES	B	SL HZ	1.3		WK2	0.118
FRAME	143T		RATING	40C AMB-CONT					
55C AMB AT 1.00 SF SINEWAVE									
NEMA MG-1 PART 5, IP54					1.15 SF SINEWAVE				

Parts List		
Part Number	Description	Quantity
SA364048	SA 35Q558M849G1	1.000 EA
RA353357	RA 35Q558M849G1	1.000 EA
34FN3002B01	EXTERNAL FAN, PLASTIC, .637/.639 HUB W/	1.000 EA
35CB3001A02SP	EXPL PROOF CONDUIT BOX, 3/4"PIPE TAP LEA	1.000 EA
11XW1032G06	10-32 X .38, TAPTITE II, HEX WSHR SLTD U	1.000 EA
HW3001B01	BRASS CUP WASHER, FOR #10 SCREW	1.000 EA
35EP3700A01SP	FR ENDPLATE, XPFC	1.000 EA
HW5100A03	WAVY WASHER (W1543-017)	1.000 EA
35EP3701A01	PU ENDPLATE, XPFC - 205 BRG	1.000 EA
XY3118A12	5/16-18 HEX NUT DIRECTIONAL SERRATION	4.000 EA
35FH4005A01SP	IEC FH NO GREASER W/PRIMED	1.000 EA
51XW1032A06	10-32 X .38, TAPTITE II, HEX WSHR SLTD S	3.000 EA
35CB3500A01SP	CONDUIT BOX LID, MACH	1.000 EA
51XN2520A16	SCREW, HEX WS SLT, ZN, 1/4-20 X 1.00	4.000 EA
HW2501D13	KEY, 3/16 SQ X 1.375	1.000 EA
HA7000A01	KEY RETAINER 7/8" DIA SHAFT	1.000 EA
85XU0407S04	4X1/4 U DRIVE PIN STAINLESS	6.000 EA
NP0018F	ALUM UL XP CONDUIT BOX NAMEPLATE	1.000 EA
HA1025A21	WSHR,FELT .125" THK	1.000 EA
MJ1000A02	GREASE, MOBIL POLYREX EM - 124047	0.050 LB
51XB1214A16	12-14X1.00 HXWSSLD SERTYB	1.000 EA
MG1025G29	WILKOFASST, 789.229, DARK CHARCOAL GRAY	0.017 GA
HA3104A06	THRUBOLT 5/16-18 X 8.50 OHIO ROD	4.000 EA
LB1119N	WARNING LABEL	1.000 EA

Parts List (continued)		
Part Number	Description	Quantity
LC0145B01	CONNECTION LABEL	1.000 EA
NP0887XPSLEV	SS XP INV UL CSA-EEV CC CL-I GP-D	1.000 EA
36PA1000	PKG GRP, PRINT PK1016A06	1.000 EA
MN416A01	TAG-INSTAL-MAINT no wire (2100/bx) 4/22	1.000 EA

AC Induction Motor Performance Data

Record # 57337

Typical performance - not guaranteed values

Winding: 35WGM849-R015		Type: 3520M		Enclosure: TEFC	
Nameplate Data			575 V, 60 Hz: Single Voltage Motor		
Rated Output (HP)	1	Full Load Torque	2.99 LB-FT		
Volts	575	Start Configuration	direct on line		
Full Load Amps	1.2	Breakdown Torque	13.3 LB-FT		
R.P.M.	1760	Pull-up Torque	8.11 LB-FT		
Hz	60	Phase	3	Locked-rotor Torque	8.38 LB-FT
NEMA Design Code	B	KVA Code	L	Starting Current	9.77 A
Service Factor (S.F.)	1	No-load Current	0.84 A		
NEMA Nom. Eff.	85.5	Power Factor	71	Line-line Res. @ 25°C	23.9 Ω
Rating - Duty	40C AMB-CONT		Temp. Rise @ Rated Load	36°C	
S.F. Amps			Temp. Rise @ S.F. Load	42°C	
			Locked-rotor Power Factor	53.9	
			Rotor inertia	0.118 LB-FT ²	

Load Characteristics 575 V, 60 Hz, 1 HP

% of Rated Load	25	50	75	100	125	150
Power Factor	29	47	60	69	76	80
Efficiency	74.4	83.1	85.2	85.8	85.2	84.3
Speed	1790	1780	1770	1760	1748	1735
Line amperes	0.872	0.977	1.1	1.26	1.46	1.68

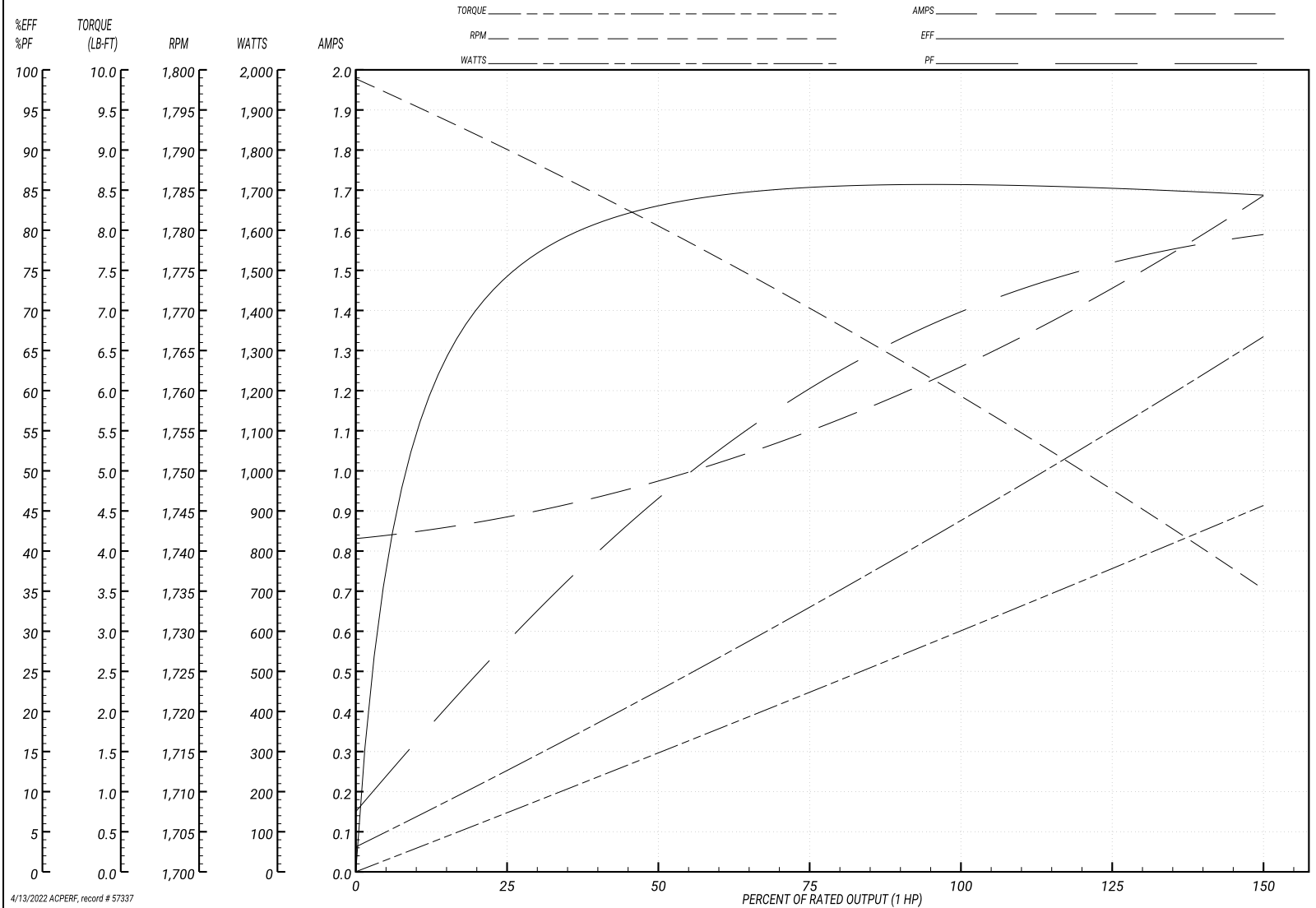
Performance Graph at 575V, 60Hz, 1.0HP Typical performance - Not guaranteed values

BALDOR ELECTRIC COMPANY

WINDING # 35WGM849

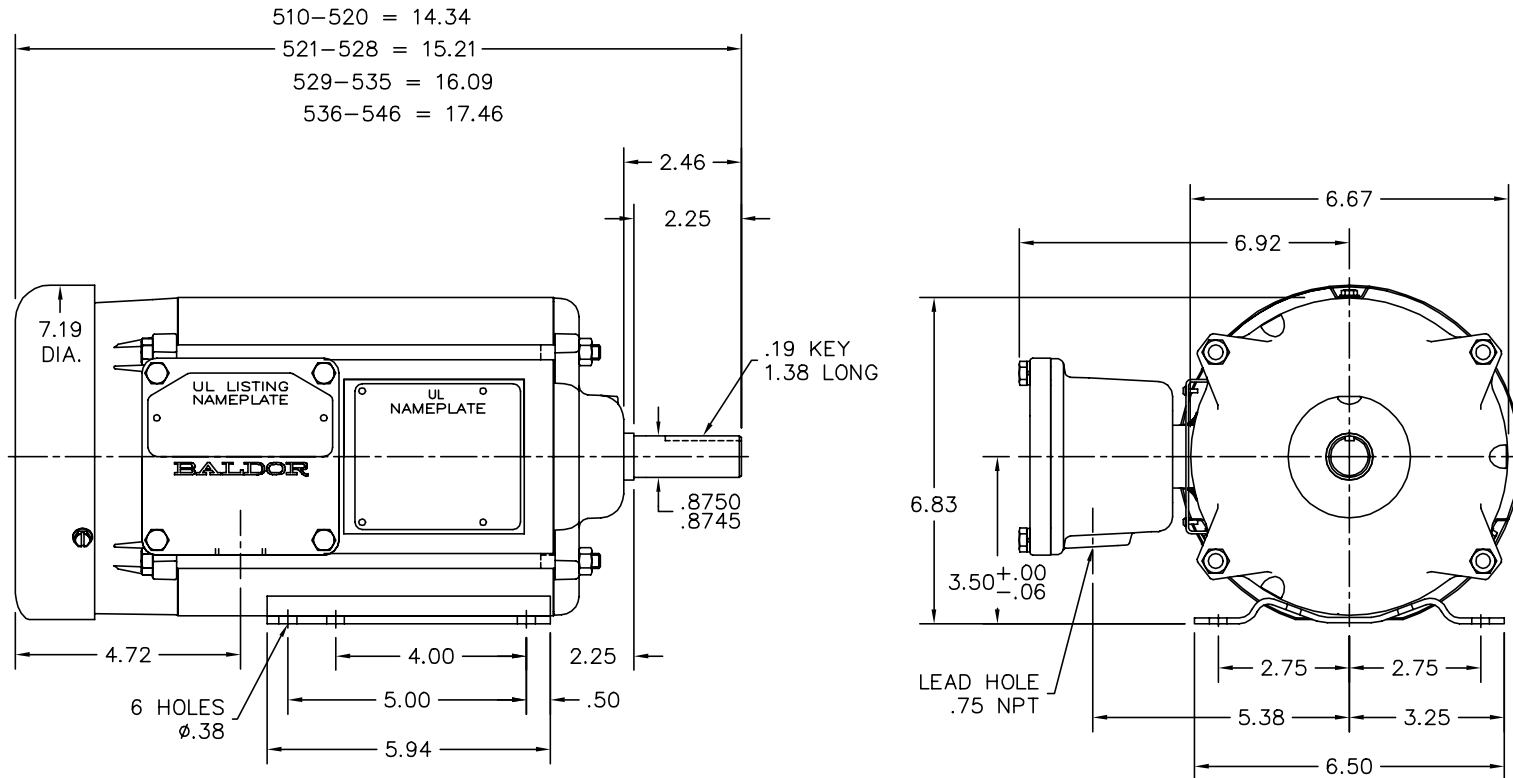
Typical performance - not guaranteed values.

1 HP 3 PH 60 HZ 1760 RPM 575 V 3520M
 TORQUES(LB-FT): PO=13.3 PU=8.11 LR=8.38 LRA=9.77



4/13/2022 ACPERF, record # 57337

35LYQ558



CUSTOMER IS RESPONSIBLE FOR DETERMINING THAT BALDOR'S PRODUCT WILL PERFORM SUITABLY IN THE INTENDED APPLICATION.

REV. DESC: UPDATE PARTS		
REV. LTR: A	VERSION: 01	TDR: 000000983996
FILE: \AAA\00059\703	REVISED: 11:44:51 06/13/2016	BY: ENBENBO
MTL: -	☉ □	

BALDOR

HORZ 143-5T XPFC 35M CL I GP-D, CL II GP-F&G (INVERTER)

SH 1 of 1

35LYQ558

CD0006



NOTES:

1. THREE LEAD MOTOR MAY BE EITHER WYE CONNECTED OR DELTA CONNECTED.
2. INTERCHANGE ANY TWO LINE LEADS TO REVERSE ROTATION.
3. OPTIONAL THERMOSTATS ARE PROVIDED WHEN SPECIFIED.
4. ACTUAL NUMBER OF INTERNAL PARALLEL CIRCUITS MAY VARY.
5. LEAD COLORS ARE OPTIONAL. LEADS MUST BE NUMBERED AS SHOWN.

CD0006

REV. DESC: ADD CLASS CONN00000007		
REV. LTR: E	VERSION: 01	TDR: 000001099922
FILE: \AAA\00005\141	REVISED: 10:24:49 02/19/2019	BY: ENBRIRO
MTL: -	© □	

BALDOR - RELIANCE®

3PH, SV, 3 LEADS, WYE OR DELTA CONNECTED

SH 1 of 1

Marketing maintained PDF of MN416:

<http://www.baldor.com/support/Literature/Load.ashx/MN416?ManNumber=MN416>