

BALDOR® • RELIANCE 

Product Information Packet

XM14142T

20M 4P XPFC HOR 143T T'STATS INVERTER

Part Detail							
Revision:	D	Status:	PRD/A	Change #:		Proprietary:	No
Type:	AC	Elec. Spec:	35WGM492	CD Diagram:	CD0005	Mfg Plant:	
Mech. Spec:	35Q558	Layout:	35LYQ558	Poles:	04	Created Date:	12-13-2018
Base:	RG	Eff. Date:	04-29-2021	Leads:	9#18		

Specs			
Catalog Number:	XM14142T	Front Shaft Indicator:	None
Enclosure:	XPFC	Heater Indicator:	No Heater
Frame:	143T	Insulation Class:	F
Frame Material:	Steel	Inverter Code:	Inverter Duty
Output @ Frequency:	1.000 HP @ 60 HZ	IP Rating:	NONE
	.750 HP @ 50 HZ	KVA Code:	L
Synchronous Speed @ Frequency:	1800 RPM @ 60 HZ	Lifting Lugs:	No Lifting Lugs
Voltage @ Frequency:	230.0 V @ 60 HZ	Locked Bearing Indicator:	No Locked Bearing
	190.0 V @ 50 HZ	Motor Lead Quantity/Wire Size:	9 @ 18 AWG
	460.0 V @ 60 HZ	Motor Lead Termination:	Flying Leads
	380.0 V @ 50 HZ	Motor Type:	X3520M
XP Class and Group:	CLI GP D; CLII GP F,G	Mounting Arrangement:	F1
XP Division:	Division I	Power Factor:	71
Agency Approvals:	UR	Product Family:	Hazardous Location Motor
	CSA EEV	Pulley End Bearing Type:	Ball
	CSA	Pulley Face Code:	Standard
Auxillary Box:	No Auxillary Box	Pulley Shaft Indicator:	Standard
Auxillary Box Lead Termination:	None	Rodent Screen:	None

Product Information Packet: XM14142T - 20M 4P XPFC HOR 143T T'STATS INVERTER

Base Indicator:	Rigid	RoHS Status:	ROHS NON-COMPLIANT
Bearing Grease Type:	Polyrex EM (-20F +300F)	Shaft Ground Indicator:	No Shaft Grounding
Blower:	None	Shaft Rotation:	Reversible
Constant Torque Speed Range:	1.3	Shaft Slinger Indicator:	No Slinger
Current @ Voltage:	3.000 A @ 230.0 V	Speed Code:	Single Speed
	2.800 A @ 190.0 V	Motor Standards:	NEMA
	1.500 A @ 460.0 V	Starting Method:	Direct on line
	1.400 A @ 380.0 V	Thermal Device - Bearing:	None
Design Code:	B	Thermal Device - Winding:	Normally Closed Thermostat
Drip Cover:	No Drip Cover	Vibration Sensor Indicator:	No Vibration Sensor
Duty Rating:	CONT	Winding Thermal 1:	None
Electrically Isolated Bearing:	Not Electrically Isolated	Winding Thermal 2:	None
Feedback Device:	NO FEEDBACK	XP Temp Code:	T3C

Nameplate NP0887XPSLEV									
NO.					CC	010A			
S/N					TEMP CODE	T3C			
SPEC.	35Q558M492G2				INV. TYPE	PWM			
CAT.NO.	XM14142T				C HP FR	60		C HP TO	90
HP	1//.75				CT HZ FROM	1.3		CT HZ TO	60
VOLTS	230/460//190/380				VT HZ FROM	1.3		VT HZ TO	60
AMPS	3/1.5//2.8/1.4				MAG CUR	2.2/1.1			
RPM	1760//1460				MX RPM	2700			
HZ	60//50	PH	3	CL	F	NOM.EFF.	85.5		
SER.F.	1.00		DES	B	SL HZ	1.3		WK2	0.118
FRAME	143T		RATING	40C AMB-CONT					
55C AMB AT 1.00 SF SINEWAVE									
NEMA MG-1 PART 5, IP54					1.15 SF SINEWAVE				

Parts List		
Part Number	Description	Quantity
SA364047	SA 35Q558M492G2	1.000 EA
RA353356	RA 35Q558M492G2	1.000 EA
34FN3002B01	EXTERNAL FAN, PLASTIC, .637/.639 HUB W/	1.000 EA
35CB3001A02SP	EXPL PROOF CONDUIT BOX, 3/4"PIPE TAP LEA	1.000 EA
11XW1032G06	10-32 X .38, TAPTITE II, HEX WSHR SLTD U	1.000 EA
HW3001B01	BRASS CUP WASHER, FOR #10 SCREW	1.000 EA
35EP3700A01SP	FR ENDPLATE, XPFC	1.000 EA
HW5100A03	WAVY WASHER (W1543-017)	1.000 EA
35EP3701A01	PU ENDPLATE, XPFC - 205 BRG	1.000 EA
XY3118A12	5/16-18 HEX NUT DIRECTIONAL SERRATION	4.000 EA
35FH4005A01SP	IEC FH NO GREASER W/PRIMED	1.000 EA
51XW1032A06	10-32 X .38, TAPTITE II, HEX WSHR SLTD S	3.000 EA
35CB3500A01SP	CONDUIT BOX LID, MACH	1.000 EA
51XN2520A16	SCREW, HEX WS SLT, ZN, 1/4-20 X 1.00	4.000 EA
HW2501D13	KEY, 3/16 SQ X 1.375	1.000 EA
HA7000A01	KEY RETAINER 7/8" DIA SHAFT	1.000 EA
85XU0407S04	4X1/4 U DRIVE PIN STAINLESS	6.000 EA
NP0018F	ALUM UL XP CONDUIT BOX NAMEPLATE	1.000 EA
HA1025A21	WSHR,FELT .125" THK	1.000 EA
MJ1000A02	GREASE, MOBIL POLYREX EM - 124047	0.050 LB
51XB1214A16	12-14X1.00 HXWSSLD SERTYB	1.000 EA
MG1025G29	WILKOFASST, 789.229, DARK CHARCOAL GRAY	0.017 GA
HA3104A06	THRUBOLT 5/16-18 X 8.50 OHIO ROD	4.000 EA
LB1119N	WARNING LABEL	1.000 EA

Parts List (continued)		
Part Number	Description	Quantity
LC0145B01	CONNECTION LABEL	1.000 EA
NP0887XPSLEV	SS XP INV UL CSA-EEV CC CL-I GP-D	1.000 EA
36PA1000	PKG GRP, PRINT PK1016A06	1.000 EA
MN416A01	TAG-INSTAL-MAINT no wire (2100/bx) 4/22	1.000 EA

AC Induction Motor Performance Data

Record # 73663

Typical performance - not guaranteed values

Winding: 35WGM492-R081		Type: 3520M		Enclosure: TEFC	
Nameplate Data			460 V, 60 Hz: High Voltage Connection		
Rated Output (HP)	1//.75		Full Load Torque	2.99 LB-FT	
Volts	230/460//190/380		Start Configuration	direct on line	
Full Load Amps	3/1.5//2.8/1.4		Breakdown Torque	13.5 LB-FT	
R.P.M.	1760//1460		Pull-up Torque	8.25 LB-FT	
Hz	60//50	Phase	3	Locked-rotor Torque	8.52 LB-FT
NEMA Design Code	B KVA Code		L	Starting Current	12.4 A
Service Factor (S.F.)			1	No-load Current	1.07 A
NEMA Nom. Eff.	85.5	Power Factor	71	Line-line Res. @ 25°C	15 Ω
Rating - Duty	40C AMB-CONT			Temp. Rise @ Rated Load	36°C
S.F. Amps				Temp. Rise @ S.F. Load	42°C
				Locked-rotor Power Factor	53.8
				Rotor inertia	0.118 LB-FT ²

Load Characteristics 460 V, 60 Hz, 1 HP

% of Rated Load	25	50	75	100	125	150
Power Factor	29	46	60	69	75	79
Efficiency	74.2	82.8	85.3	85.7	85.3	84.4
Speed	1790	1781	1771	1760	1749	1736
Line amperes	1.11	1.24	1.39	1.59	1.83	2.11

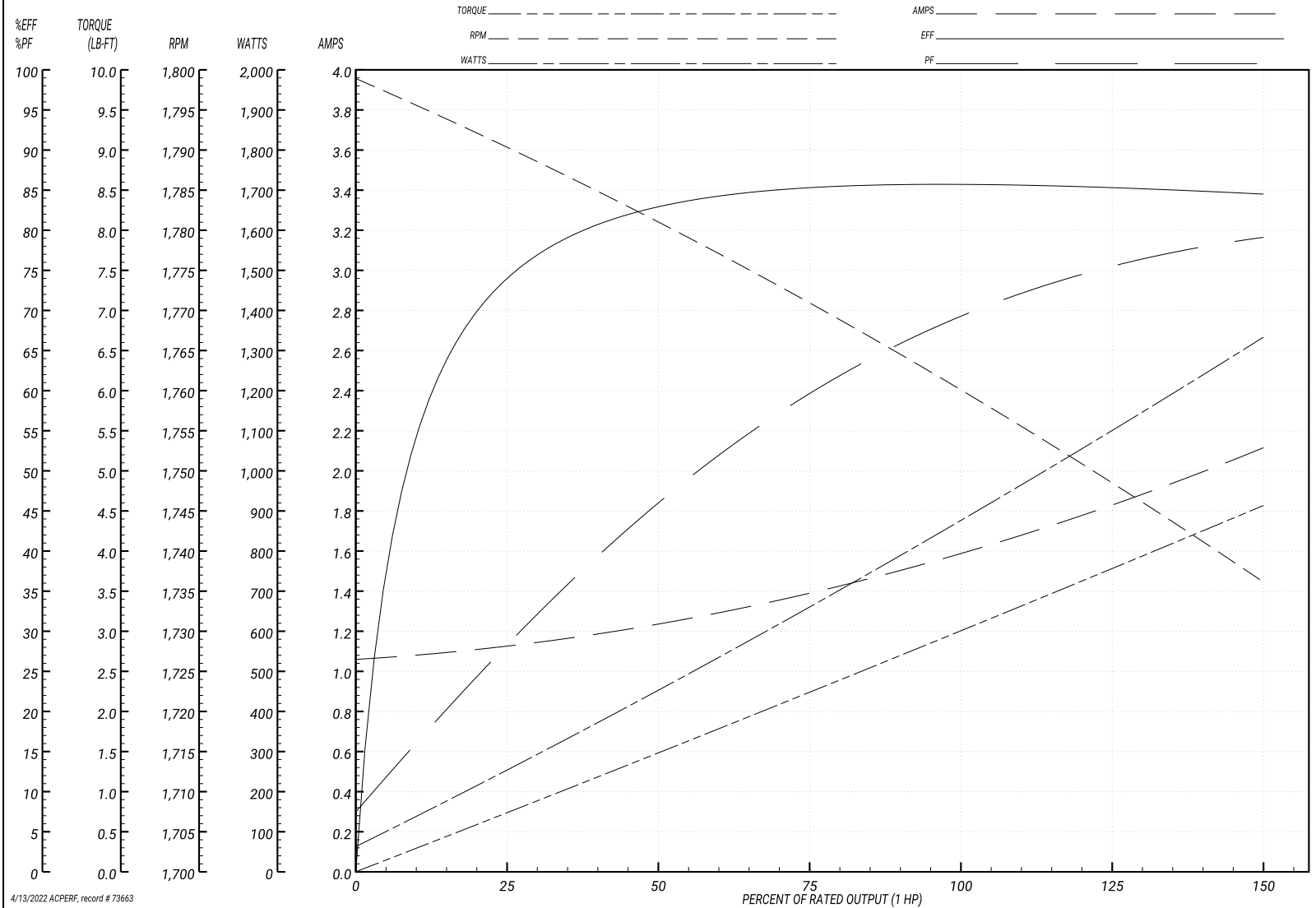
Performance Graph at 460V, 60Hz, 1.0HP Typical performance - Not guaranteed values

BALDOR ELECTRIC COMPANY

WINDING # 35WGM492

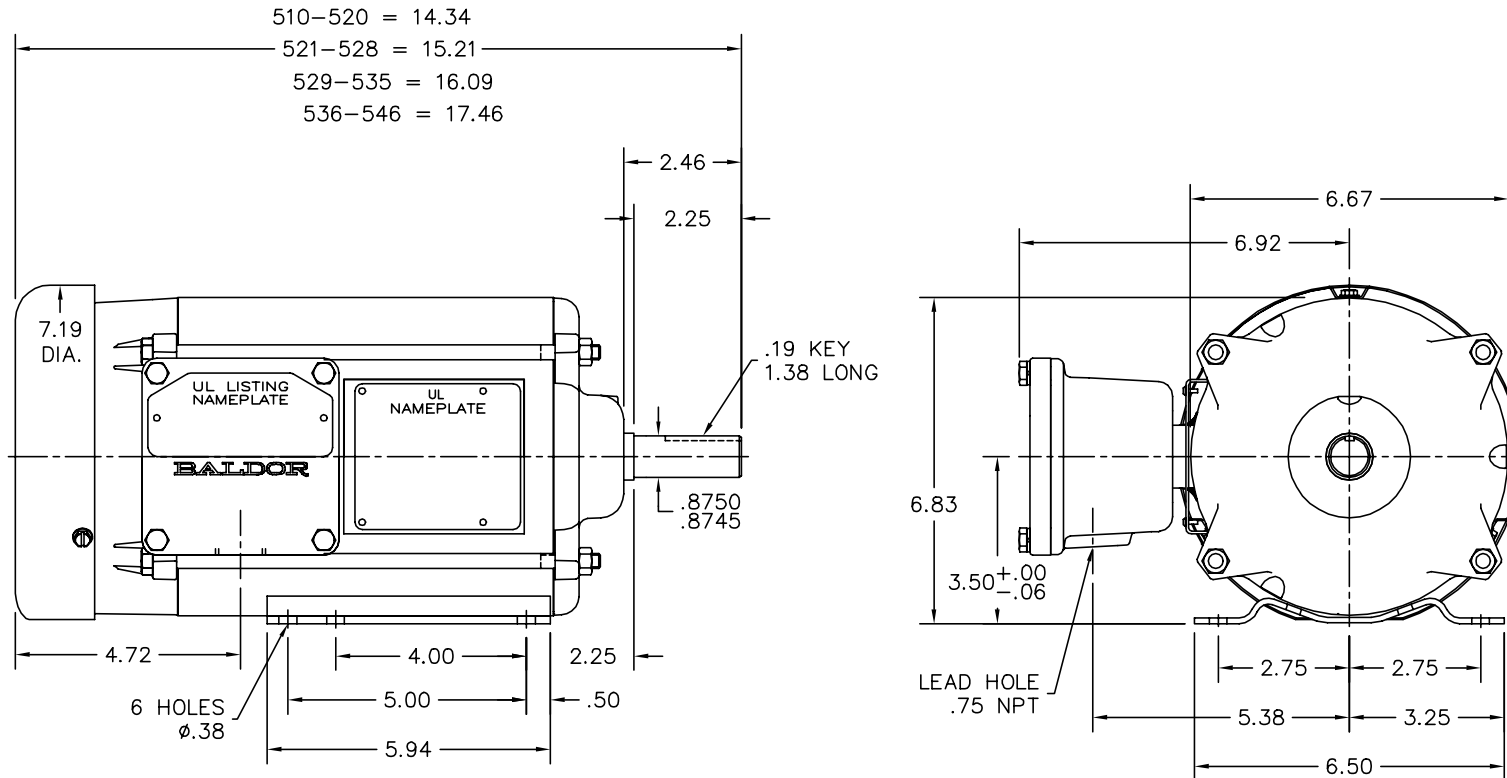
Typical performance - not guaranteed values.

1 HP 3 PH 60 HZ 1760 RPM 460 V 3520M
 TORQUES(LB-FT): PO=13.5 PU=8.25 LR=8.52 LRA=12.4



4/13/2022 ACPERF, record # 73663

35LYQ558



CUSTOMER IS RESPONSIBLE FOR DETERMINING THAT BALDOR'S PRODUCT WILL PERFORM SUITABLY IN THE INTENDED APPLICATION.

REV. DESC: UPDATE PARTS		
REV. LTR: A	VERSION: 01	TDR: 000000983996
FILE: \AAA\00059\703	REVISED: 11:44:51 06/13/2016	BY: ENBENBO
MTL: -	Ⓢ Ⓜ	

BALDOR

HORZ 143-5T XPFC 35M CL I GP-D, CL II GP-F&G (INVERTER)

SH 1 of 1

35LYQ558

CD0005

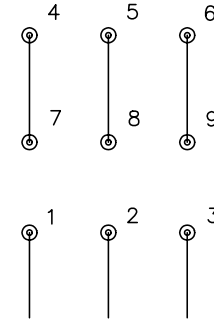


LOW VOLTAGE
(2Y)



LINE

HIGH VOLTAGE
(1Y)



LINE

NOTES:

1. INTERCHANGE ANY TWO LINE LEADS TO REVERSE ROTATION.
2. OPTIONAL THERMOSTATS ARE PROVIDED WHEN SPECIFIED.
3. ACTUAL NUMBER OF INTERNAL PARALLEL CIRCUITS MAY BE A MULTIPLE OF THOSE SHOWN ABOVE.
4. LEAD COLORS ARE OPTIONAL. LEADS MUST ALWAYS BE NUMBERED AS SHOWN.

REV. DESC: REVISE TO SHOW OPTIONAL COLORS

REV. LTR: E BY: JLP

REVISED: 01/19/99 10:15

TDR: 0171435

9000D

FILE: AAA00005140

MDL: -

MTL: -

BALDOR ELECTRIC Co.

3PH, DV, 9 LEADS

CD0005

Marketing maintained PDF of MN416:

<http://www.baldor.com/support/Literature/Load.ashx/MN416?ManNumber=MN416>