

**BALDOR® • RELIANCE** 

**Product Information Packet**

**XM141542T**

**26M 4P XPFC HOR 145T T'STATS INVERTER**

| Part Detail |        |             |            |             |        |               |            |
|-------------|--------|-------------|------------|-------------|--------|---------------|------------|
| Revision:   | D      | Status:     | PRD/A      | Change #:   |        | Proprietary:  | No         |
| Type:       | AC     | Elec. Spec: | 35WGL155   | CD Diagram: | CD0005 | Mfg Plant:    |            |
| Mech. Spec: | 35Q558 | Layout:     | 35LYQ558   | Poles:      | 04     | Created Date: | 12-13-2018 |
| Base:       | RG     | Eff. Date:  | 04-29-2021 | Leads:      | 9#18   |               |            |

| Specs                           |                       |                                |                          |
|---------------------------------|-----------------------|--------------------------------|--------------------------|
| Catalog Number:                 | XM141542T             | Feedback Device:               | NO FEEDBACK              |
| Enclosure:                      | XPFC                  | Front Shaft Indicator:         | None                     |
| Frame:                          | 145T                  | Heater Indicator:              | No Heater                |
| Frame Material:                 | Steel                 | Insulation Class:              | F                        |
| Output @ Frequency:             | 1.000 HP @ 50 HZ      | Inverter Code:                 | Inverter Duty            |
|                                 | 1.500 HP @ 60 HZ      | IP Rating:                     | NONE                     |
| Synchronous Speed @ Frequency:  | 1800 RPM @ 60 HZ      | KVA Code:                      | M                        |
| Voltage @ Frequency:            | 380.0 V @ 50 HZ       | Lifting Lugs:                  | No Lifting Lugs          |
|                                 | 230.0 V @ 60 HZ       | Locked Bearing Indicator:      | No Locked Bearing        |
|                                 | 190.0 V @ 50 HZ       | Motor Lead Quantity/Wire Size: | 9 @ 18 AWG               |
|                                 | 460.0 V @ 60 HZ       | Motor Lead Termination:        | Flying Leads             |
| XP Class and Group:             | CLI GP D; CLII GP F,G | Motor Type:                    | X3526M                   |
| XP Division:                    | Division I            | Mounting Arrangement:          | F1                       |
| Agency Approvals:               | UR                    | Power Factor:                  | 71                       |
|                                 | CSA EEV               | Product Family:                | Hazardous Location Motor |
|                                 | CSA                   | Pulley End Bearing Type:       | Ball                     |
| Auxillary Box:                  | No Auxillary Box      | Pulley Face Code:              | Standard                 |
| Auxillary Box Lead Termination: | None                  | Pulley Shaft Indicator:        | Standard                 |

Product Information Packet: XM141542T - 26M 4P XPFC HOR 145T T'STATS INVERTER

|                                       |                           |                                    |                            |
|---------------------------------------|---------------------------|------------------------------------|----------------------------|
| <b>Base Indicator:</b>                | Rigid                     | <b>Rodent Screen:</b>              | None                       |
| <b>Bearing Grease Type:</b>           | Polyrex EM (-20F +300F)   | <b>RoHS Status:</b>                | ROHS NON-COMPLIANT         |
| <b>Blower:</b>                        | None                      | <b>Shaft Ground Indicator:</b>     | No Shaft Grounding         |
| <b>Constant Torque Speed Range:</b>   | 1.3                       | <b>Shaft Rotation:</b>             | Reversible                 |
| <b>Current @ Voltage:</b>             | 4.600 A @ 208.0 V         | <b>Shaft Slinger Indicator:</b>    | No Slinger                 |
|                                       | 4.400 A @ 230.0 V         | <b>Speed Code:</b>                 | Single Speed               |
|                                       | 4.000 A @ 190.0 V         | <b>Motor Standards:</b>            | NEMA                       |
|                                       | 2.200 A @ 460.0 V         | <b>Starting Method:</b>            | Direct on line             |
|                                       | 2.000 A @ 380.0 V         | <b>Thermal Device - Bearing:</b>   | None                       |
| <b>Design Code:</b>                   | B                         | <b>Thermal Device - Winding:</b>   | Normally Closed Thermostat |
| <b>Drip Cover:</b>                    | No Drip Cover             | <b>Vibration Sensor Indicator:</b> | No Vibration Sensor        |
| <b>Duty Rating:</b>                   | CONT                      | <b>Winding Thermal 1:</b>          | None                       |
| <b>Electrically Isolated Bearing:</b> | Not Electrically Isolated | <b>Winding Thermal 2:</b>          | None                       |
|                                       |                           | <b>XP Temp Code:</b>               | T3C                        |

|                               |                  |  |               |              |                   |         |  |                 |       |
|-------------------------------|------------------|--|---------------|--------------|-------------------|---------|--|-----------------|-------|
| <b>Nameplate NP0887XPSLEV</b> |                  |  |               |              |                   |         |  |                 |       |
| <b>NO.</b>                    |                  |  |               |              | <b>CC</b>         | 010A    |  |                 |       |
| <b>S/N</b>                    |                  |  |               |              | <b>TEMP CODE</b>  | T3C     |  |                 |       |
| <b>SPEC.</b>                  | 35Q558L155G1     |  |               |              | <b>INV.TYPE</b>   | PWM     |  |                 |       |
| <b>CAT.NO.</b>                | XM141542T        |  |               |              | <b>C HP FR</b>    | 60      |  | <b>C HP TO</b>  | 90    |
| <b>HP</b>                     | 1.5//1           |  |               |              | <b>CT HZ FROM</b> | 1.3     |  | <b>CT HZ TO</b> | 60    |
| <b>VOLTS</b>                  | 230/460//190/380 |  |               |              | <b>VT HZ FROM</b> | 1.3     |  | <b>VT HZ TO</b> | 60    |
| <b>AMPS</b>                   | 4.4/2.2//4/2     |  |               |              | <b>MAG CUR</b>    | 2.8/1.4 |  |                 |       |
| <b>RPM</b>                    | 1760//1460       |  |               |              | <b>MX RPM</b>     | 2700    |  |                 |       |
| <b>HZ</b>                     | 60//50           |  | <b>PH</b>     | 3            | <b>CL</b>         | F       |  |                 |       |
| <b>SER.F.</b>                 | 1.00             |  | <b>DES</b>    | B            | <b>SL HZ</b>      | 1.3     |  | <b>NOM.EFF.</b> | 86.5  |
| <b>FRAME</b>                  | 145T             |  | <b>RATING</b> | 40C AMB-CONT |                   |         |  | <b>WK2</b>      | 0.154 |
| 55C AMB AT 1.00 SF SINEWAVE   |                  |  |               |              |                   |         |  |                 |       |
| NEMA MG-1 PART 5, IP54        |                  |  |               |              | 1.15 SF SINEWAVE  |         |  |                 |       |
|                               |                  |  |               |              |                   |         |  |                 |       |

| Parts List    |  |          |
|---------------|--|----------|
| Part Number   | Description                              | Quantity |
| SA364051      | SA 35Q558L155G1                          | 1.000 EA |
| RA353360      | RA 35Q558L155G1                          | 1.000 EA |
| 35CB3001A02SP | EXPL PROOF CONDUIT BOX, 3/4"PIPE TAP LEA | 1.000 EA |
| 11XW1032G06   | 10-32 X .38, TAPTITE II, HEX WSHR SLTD U | 1.000 EA |
| HW3001B01     | BRASS CUP WASHER, FOR #10 SCREW          | 1.000 EA |
| 35EP3700A01SP | FR ENDPLATE, XPFC                        | 1.000 EA |
| HW5100A03     | WAVY WASHER (W1543-017)                  | 1.000 EA |
| 35EP3701A01   | PU ENDPLATE, XPFC - 205 BRG              | 1.000 EA |
| XY3118A12     | 5/16-18 HEX NUT DIRECTIONAL SERRATION    | 4.000 EA |
| 35FH4005A01SP | IEC FH NO GREASER W/PRIMED               | 1.000 EA |
| 51XW1032A06   | 10-32 X .38, TAPTITE II, HEX WSHR SLTD S | 3.000 EA |
| 35CB3500A01SP | CONDUIT BOX LID, MACH                    | 1.000 EA |
| 51XN2520A16   | SCREW, HEX WS SLT, ZN, 1/4-20 X 1.00     | 4.000 EA |
| HW2501D13     | KEY, 3/16 SQ X 1.375                     | 1.000 EA |
| HA7000A01     | KEY RETAINER 7/8" DIA SHAFT              | 1.000 EA |
| 85XU0407S04   | 4X1/4 U DRIVE PIN STAINLESS              | 6.000 EA |
| NP0018F       | ALUM UL XP CONDUIT BOX NAMEPLATE         | 1.000 EA |
| HA1025A21     | WSHR,FELT .125" THK                      | 1.000 EA |
| MJ1000A02     | GREASE, MOBIL POLYREX EM - 124047        | 0.050 LB |
| 35FN3002A05SP | EXFN, PLASTIC, 6.376 OD, .638 ID         | 1.000 EA |
| 51XB1214A16   | 12-14X1.00 HXWSSLD SERTYB                | 1.000 EA |
| MG1025G29     | WILKOFASST, 789.229, DARK CHARCOAL GRAY  | 0.017 GA |
| HA3104A08     | THRUBOLT-5/16-18X9.375 X X               | 4.000 EA |
| LB1119N       | WARNING LABEL                            | 1.000 EA |

| <b>Parts List (continued)</b> |   |                 |
|-------------------------------|---|-----------------|
| <b>Part Number</b>            | <b>Description</b>                      | <b>Quantity</b> |
| LC0145B01                     | CONNECTION LABEL                        | 1.000 EA        |
| NP0887XPSLEV                  | SS XP INV UL CSA-EEV CC CL-I GP-D       | 1.000 EA        |
| 36PA1001                      | PKG GRP, PRINT PK1017A06                | 1.000 EA        |
| MN416A01                      | TAG-INSTAL-MAINT no wire (2100/bx) 4/22 | 1.000 EA        |

**AC Induction Motor Performance Data**

Record # 73666

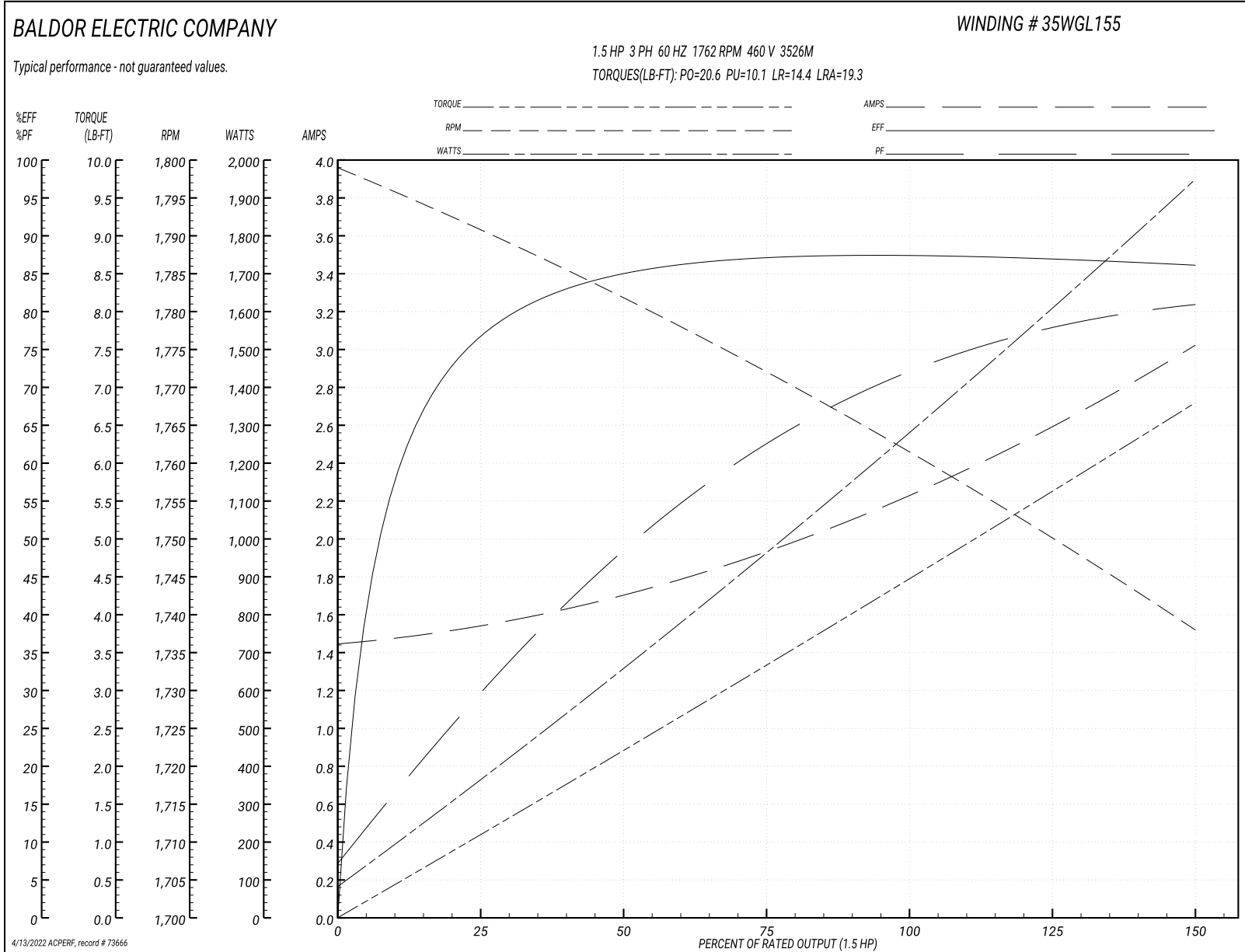
Typical performance - not guaranteed values

| <b>Winding: 35WGL155-R039</b> |                   | <b>Type: 3526M</b>  |  | <b>Enclosure: XPFC</b>           |                          |
|-------------------------------|-------------------|---------------------|--|----------------------------------|--------------------------|
| <b>Nameplate Data</b>         |                   |                     | <b>460 V, 60 Hz:<br/>High Voltage Connection</b> |                                  |                          |
| <b>Rated Output (HP)</b>      | 1.5//1            |                     | <b>Full Load Torque</b>                          | 4.46 LB-FT                       |                          |
| <b>Volts</b>                  | 230/460//190/380  |                     | <b>Start Configuration</b>                       | direct on line                   |                          |
| <b>Full Load Amps</b>         | 4.4/2.2//4/2      |                     | <b>Breakdown Torque</b>                          | 20.6 LB-FT                       |                          |
| <b>R.P.M.</b>                 | 1760//1460        |                     | <b>Pull-up Torque</b>                            | 10.1 LB-FT                       |                          |
| <b>Hz</b>                     | 60//50            | <b>Phase</b>        | 3  | <b>Locked-rotor Torque</b>       | 14.4 LB-FT               |
| <b>NEMA Design Code</b>       | <b>B KVA Code</b> |                     | M  | <b>Starting Current</b>          | 19.3 A                   |
| <b>Service Factor (S.F.)</b>  |                   |                     | 1  | <b>No-load Current</b>           | 1.46 A                   |
| <b>NEMA Nom. Eff.</b>         | 86.5              | <b>Power Factor</b> | 71   | <b>Line-line Res. @ 25°C</b>     | 8.81 Ω                   |
| <b>Rating - Duty</b>          | 40C AMB-CONT      |                     |  | <b>Temp. Rise @ Rated Load</b>   | 42°C                     |
|                               |                   |                     |  | <b>Locked-rotor Power Factor</b> | 49.6                     |
|                               |                   |                     |  | <b>Rotor inertia</b>             | 0.154 LB-FT <sup>2</sup> |

**Load Characteristics 460 V, 60 Hz, 1.5 HP**

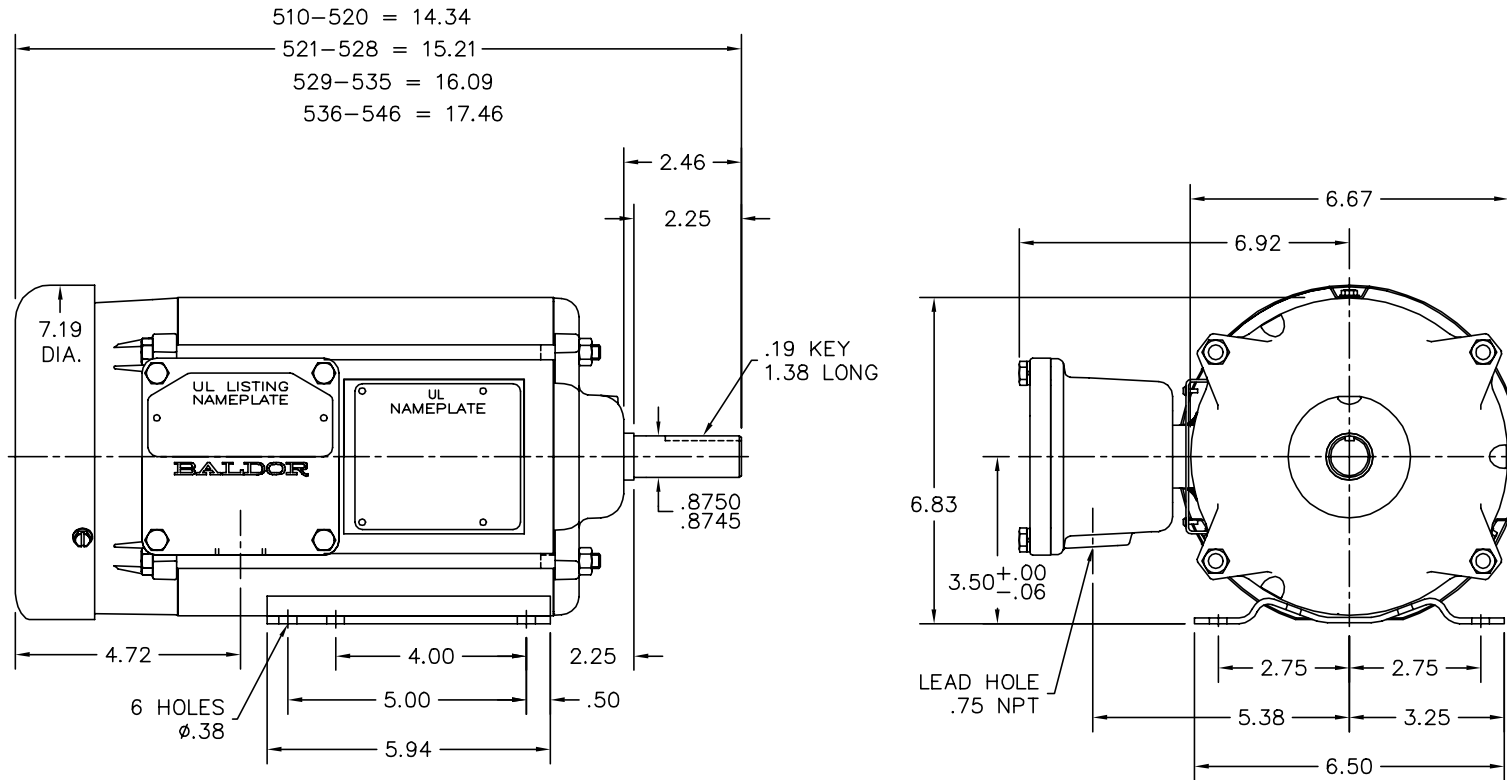
| <b>% of Rated Load</b> | <b>25</b> | <b>50</b> | <b>75</b> | <b>100</b> | <b>125</b> | <b>150</b> |
|------------------------|-----------|-----------|-----------|------------|------------|------------|
| <b>Power Factor</b>    | 30        | 49        | 63        | 71         | 77         | 82         |
| <b>Efficiency</b>      | 76.3      | 84.6      | 87        | 87.5       | 87         | 86         |
| <b>Speed</b>           | 1791      | 1782      | 1772      | 1762       | 1750       | 1738       |
| <b>Line amperes</b>    | 1.53      | 1.68      | 1.92      | 2.24       | 2.62       | 3          |

Performance Graph at 460V, 60Hz, 1.5HP Typical performance - Not guaranteed values





35LYQ558



CUSTOMER IS RESPONSIBLE FOR DETERMINING THAT BALDOR'S PRODUCT WILL PERFORM SUITABLY IN THE INTENDED APPLICATION.

|                         |                              |                   |
|-------------------------|------------------------------|-------------------|
| REV. DESC: UPDATE PARTS |                              |                   |
| REV. LTR: A             | VERSION: 01                  | TDR: 000000983996 |
| FILE: \AAA\00059\703    | REVISED: 11:44:51 06/13/2016 | BY: ENBENBO       |
| MTL: -                  | ☉ □                          |                   |

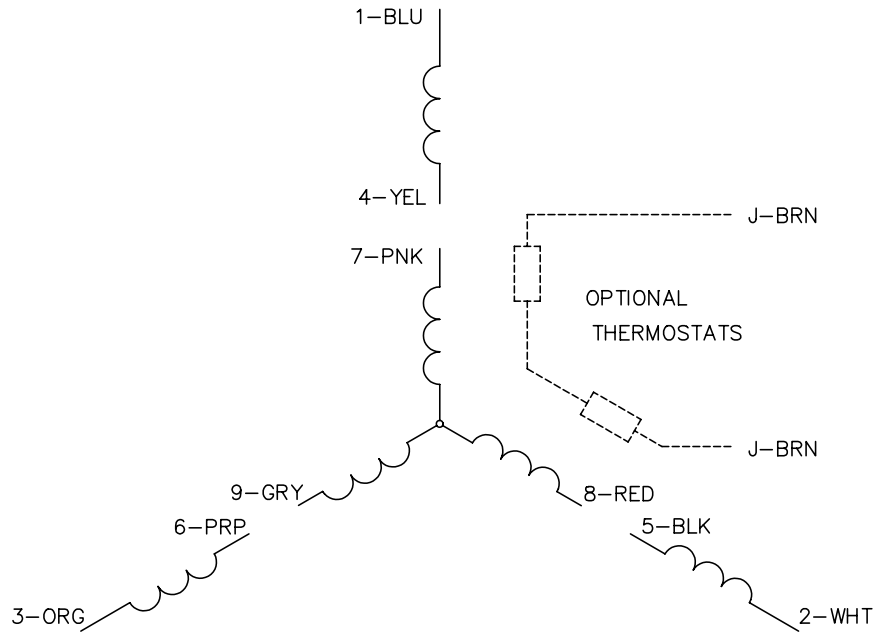
**BALDOR**

HORZ 143-5T XPFC 35M CL I GP-D, CL II GP-F&G (INVERTER)

SH 1 of 1

35LYQ558

CD0005



LOW VOLTAGE  
(2Y)



LINE

HIGH VOLTAGE  
(1Y)



LINE

NOTES:

1. INTERCHANGE ANY TWO LINE LEADS TO REVERSE ROTATION.
2. OPTIONAL THERMOSTATS ARE PROVIDED WHEN SPECIFIED.
3. ACTUAL NUMBER OF INTERNAL PARALLEL CIRCUITS MAY BE A MULTIPLE OF THOSE SHOWN ABOVE.
4. LEAD COLORS ARE OPTIONAL. LEADS MUST ALWAYS BE NUMBERED AS SHOWN.

|   |         |                         |              |
|---|---------|-------------------------|--------------|
| REV. DESC: REVISE TO SHOW OPTIONAL COLORS |         |                         |              |
| REV. LTR: E                               | BY: JLP | REVISED: 01/19/99 10:15 | TDR: 0171435 |
| 90000                                     |         | FILE: AAA00005140       | MDL: -       |
|   |         | MTL: -                  |              |

**BALDOR ELECTRIC Co.**

3PH, DV, 9 LEADS

CD0005

Marketing maintained PDF of MN416:

<http://www.baldor.com/support/Literature/Load.ashx/MN416?ManNumber=MN416>