

**BALDOR® • RELIANCE** 

**Product Information Packet**

**XM14162T**

**26M 6P XPFC HOR 145T T'STATS INVERTER**

Part Detail							
Revision:	D	Status:	PRD/A	Change #:		Proprietary:	No
Type:	AC	Elec. Spec:	35WGM497	CD Diagram:	CD0005	Mfg Plant:	
Mech. Spec:	35Q558	Layout:	35LYQ558	Poles:	06	Created Date:	12-13-2018
Base:	RG	Eff. Date:	04-29-2021	Leads:	9#18		

Specs			
Catalog Number:	XM14162T	Feedback Device:	NO FEEDBACK
Enclosure:	XPFC	Front Shaft Indicator:	None
Frame:	145T	Heater Indicator:	No Heater
Frame Material:	Steel	Insulation Class:	F
Output @ Frequency:	.750 HP @ 50 HZ	Inverter Code:	Inverter Duty
	1.000 HP @ 60 HZ	IP Rating:	NONE
Synchronous Speed @ Frequency:	1200 RPM @ 60 HZ	KVA Code:	K
Voltage @ Frequency:	380.0 V @ 50 HZ	Lifting Lugs:	No Lifting Lugs
	230.0 V @ 60 HZ	Locked Bearing Indicator:	No Locked Bearing
	190.0 V @ 50 HZ	Motor Lead Quantity/Wire Size:	9 @ 18 AWG
	460.0 V @ 60 HZ	Motor Lead Termination:	Flying Leads
XP Class and Group:	CLI GP D; CLII GP F,G	Motor Type:	X3526M
XP Division:	Division I	Mounting Arrangement:	F1
Agency Approvals:	UR	Power Factor:	64
	CSA EEV	Product Family:	Hazardous Location Motor
	CSA	Pulley End Bearing Type:	Ball
Auxillary Box:	No Auxillary Box	Pulley Face Code:	Standard
Auxillary Box Lead Termination:	None	Pulley Shaft Indicator:	Standard

Product Information Packet: XM14162T - 26M 6P XPFC HOR 145T T'STATS INVERTER

<b>Base Indicator:</b>	Rigid	<b>Rodent Screen:</b>	None
<b>Bearing Grease Type:</b>	Polyrex EM (-20F +300F)	<b>RoHS Status:</b>	ROHS NON-COMPLIANT
<b>Blower:</b>	None	<b>Shaft Ground Indicator:</b>	No Shaft Grounding
<b>Constant Torque Speed Range:</b>	2.2	<b>Shaft Rotation:</b>	Reversible
<b>Current @ Voltage:</b>	3.600 A @ 230.0 V	<b>Shaft Slinger Indicator:</b>	No Slinger
	3.600 A @ 208.0 V	<b>Speed Code:</b>	Single Speed
	3.400 A @ 190.0 V	<b>Motor Standards:</b>	NEMA
	1.800 A @ 460.0 V	<b>Starting Method:</b>	Direct on line
	1.700 A @ 380.0 V	<b>Thermal Device - Bearing:</b>	None
<b>Design Code:</b>	B	<b>Thermal Device - Winding:</b>	Normally Closed Thermostat
<b>Drip Cover:</b>	No Drip Cover	<b>Vibration Sensor Indicator:</b>	No Vibration Sensor
<b>Duty Rating:</b>	CONT	<b>Winding Thermal 1:</b>	None
<b>Electrically Isolated Bearing:</b>	Not Electrically Isolated	<b>Winding Thermal 2:</b>	None
		<b>XP Temp Code:</b>	T3C

<b>Nameplate NP0887XPSLEV</b>									
<b>NO.</b>					<b>CC</b>	010A			
<b>S/N</b>					<b>TEMP CODE</b>	T3C			
<b>SPEC.</b>	35Q558M497G2				<b>INV.TYPE</b>	PWM			
<b>CAT.NO.</b>	XM14162T				<b>C HP FR</b>	60		<b>C HP TO</b>	90
<b>HP</b>	1//.75				<b>CT HZ FROM</b>	2.2		<b>CT HZ TO</b>	60
<b>VOLTS</b>	230/460//190/380				<b>VT HZ FROM</b>	2.2		<b>VT HZ TO</b>	60
<b>AMPS</b>	3.6/1.8//3.4/1.7				<b>MAG CUR</b>	2.4/1.2			
<b>RPM</b>	1155//960				<b>MX RPM</b>	1800			
<b>HZ</b>	60//50		<b>PH</b>	3	<b>CL</b>	F			
<b>SER.F.</b>	1.00		<b>DES</b>	B	<b>SL HZ</b>	2.2		<b>NOM.EFF.</b>	82.5
<b>FRAME</b>	145T		<b>RATING</b>	40C AMB-CONT				<b>WK2</b>	0.16
55C AMB AT 1.00 SF SINEWAVE									
NEMA MG-1 PART 5, IP54					1.15 SF SINEWAVE				

Parts List		
Part Number	Description	Quantity
SA364049	SA 35Q558M497G2	1.000 EA
RA353358	RA 35Q558M497G2	1.000 EA
35FN3002A05SP	EXFN, PLASTIC, 6.376 OD, .638 ID	1.000 EA
35CB3001A02SP	EXPL PROOF CONDUIT BOX, 3/4"PIPE TAP LEA	1.000 EA
11XW1032G06	10-32 X .38, TAPTITE II, HEX WSHR SLTD U	1.000 EA
HW3001B01	BRASS CUP WASHER, FOR #10 SCREW	1.000 EA
35EP3700A01SP	FR ENDPLATE, XPFC	1.000 EA
HW5100A03	WAVY WASHER (W1543-017)	1.000 EA
35EP3701A01	PU ENDPLATE, XPFC - 205 BRG	1.000 EA
XY3118A12	5/16-18 HEX NUT DIRECTIONAL SERRATION	4.000 EA
35FH4005A01SP	IEC FH NO GREASER W/PRIMED	1.000 EA
51XW1032A06	10-32 X .38, TAPTITE II, HEX WSHR SLTD S	3.000 EA
35CB3500A01SP	CONDUIT BOX LID, MACH	1.000 EA
51XN2520A16	SCREW, HEX WS SLT, ZN, 1/4-20 X 1.00	4.000 EA
HW2501D13	KEY, 3/16 SQ X 1.375	1.000 EA
HA7000A01	KEY RETAINER 7/8" DIA SHAFT	1.000 EA
85XU0407S04	4X1/4 U DRIVE PIN STAINLESS	6.000 EA
NP0018F	ALUM UL XP CONDUIT BOX NAMEPLATE	1.000 EA
HA1025A21	WSHR,FELT .125" THK	1.000 EA
MJ1000A02	GREASE, MOBIL POLYREX EM - 124047	0.050 LB
51XB1214A16	12-14X1.00 HXWSSLD SERTYB	1.000 EA
MG1025G29	WILKOFASST, 789.229, DARK CHARCOAL GRAY	0.017 GA
HA3104A08	THRUBOLT-5/16-18X9.375 X X	4.000 EA
LB1119N	WARNING LABEL	1.000 EA

<b>Parts List (continued)</b>		
<b>Part Number</b>	<b>Description</b>	<b>Quantity</b>
LC0145B01	CONNECTION LABEL	1.000 EA
NP0887XPSLEV	SS XP INV UL CSA-EEV CC CL-I GP-D	1.000 EA
36PA1001	PKG GRP, PRINT PK1017A06	1.000 EA
MN416A01	TAG-INSTAL-MAINT no wire (2100/bx) 4/22	1.000 EA

**AC Induction Motor Performance Data**

Record # 73789

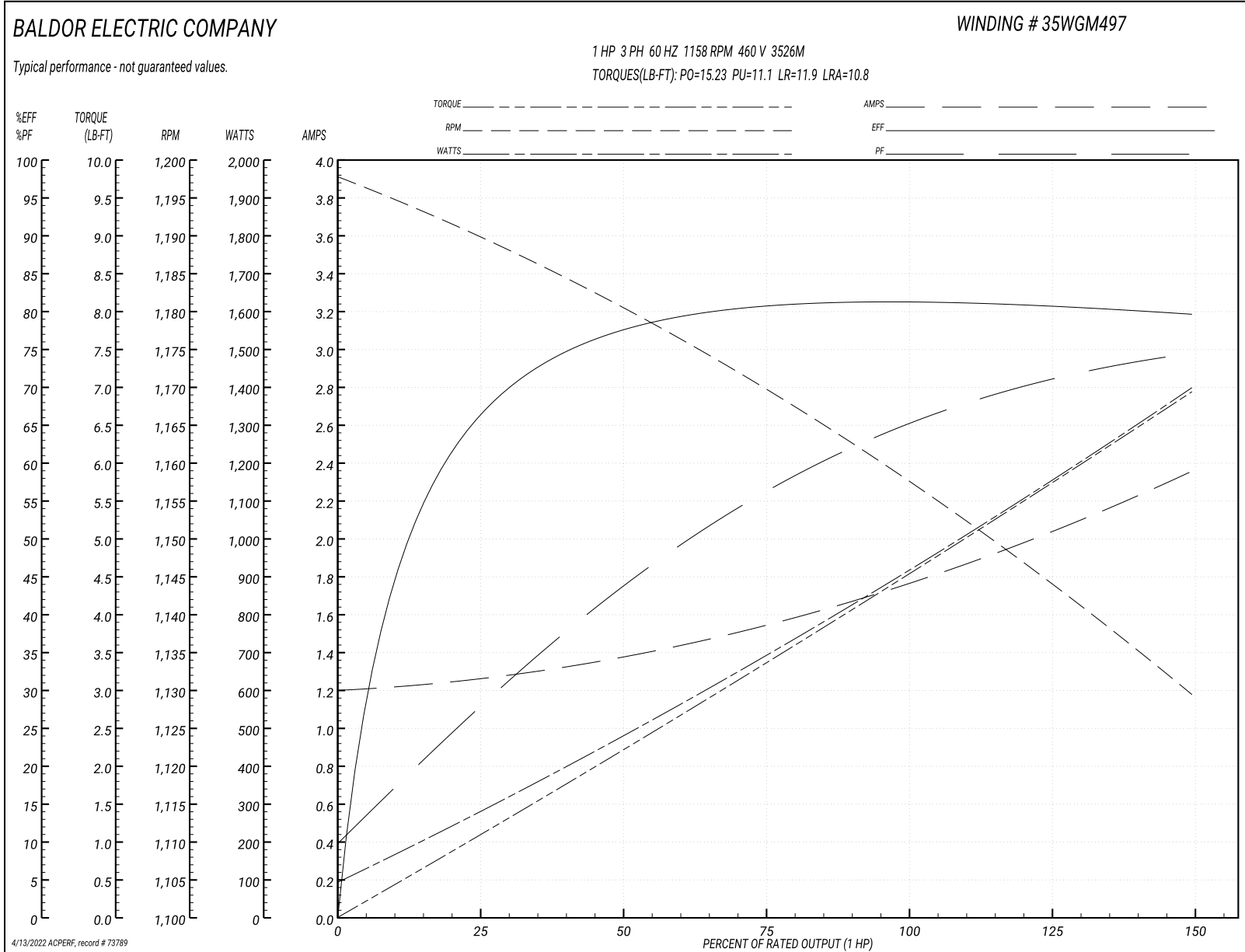
Typical performance - not guaranteed values

<b>Winding: 35WGM497-R087</b>		<b>Type: 3526M</b>		<b>Enclosure: XPFC</b>	
<b>Nameplate Data</b>			<b>460 V, 60 Hz: High Voltage Connection</b>		
<b>Rated Output (HP)</b>	1//.75		<b>Full Load Torque</b>	4.51 LB-FT	
<b>Volts</b>	230/460//190/380		<b>Start Configuration</b>	direct on line	
<b>Full Load Amps</b>	3.6/1.8//3.4/1.7		<b>Breakdown Torque</b>	15.23 LB-FT	
<b>R.P.M.</b>	1155//960		<b>Pull-up Torque</b>	11.1 LB-FT	
<b>Hz</b>	60//50	<b>Phase</b>	3	<b>Locked-rotor Torque</b>	11.9 LB-FT
<b>NEMA Design Code</b>	B	<b>KVA Code</b>	K	<b>Starting Current</b>	10.8 A
<b>Service Factor (S.F.)</b>	1		<b>No-load Current</b>	1.21 A	
<b>NEMA Nom. Eff.</b>	82.5	<b>Power Factor</b>	64	<b>Line-line Res. @ 25°C</b>	16.1 Ω
<b>Rating - Duty</b>	40C AMB-CONT		<b>Temp. Rise @ Rated Load</b>	48°C	
			<b>Locked-rotor Power Factor</b>	41.5	
			<b>Rotor inertia</b>	0.155 LB-FT <sup>2</sup>	

**Load Characteristics 460 V, 60 Hz, 1 HP**

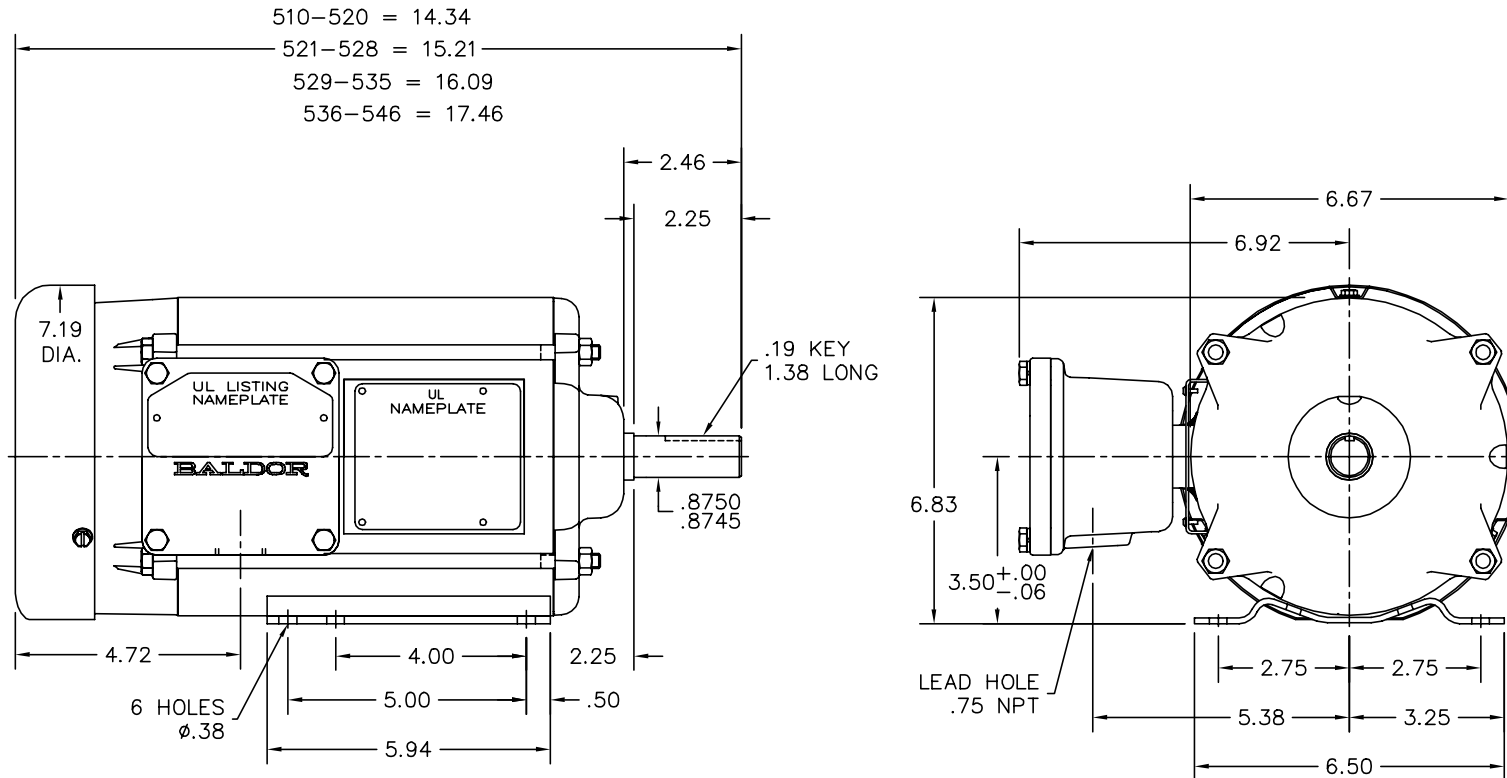
<b>% of Rated Load</b>	<b>25</b>	<b>50</b>	<b>75</b>	<b>100</b>	<b>125</b>	<b>150</b>
<b>Power Factor</b>	28	44	56	65	71	75
<b>Efficiency</b>	66	77	80.7	81.4	80.9	79.5
<b>Speed</b>	1190	1180	1170	1158	1145	1129
<b>Line amperes</b>	1.25	1.37	1.54	1.77	2.04	2.35

Performance Graph at 460V, 60Hz, 1.0HP Typical performance - Not guaranteed values





35LYQ558



CUSTOMER IS RESPONSIBLE FOR DETERMINING THAT BALDOR'S PRODUCT WILL PERFORM SUITABLY IN THE INTENDED APPLICATION.

REV. DESC: UPDATE PARTS		
REV. LTR: A	VERSION: 01	TDR: 000000983996
FILE: \AAA\00059\703	REVISED: 11:44:51 06/13/2016	BY: ENBENBO
MTL: -	Ⓢ Ⓜ	

**BALDOR**

HORZ 143-5T XPFC 35M CL I GP-D, CL II GP-F&G (INVERTER)

SH 1 of 1

35LYQ558

CD0005

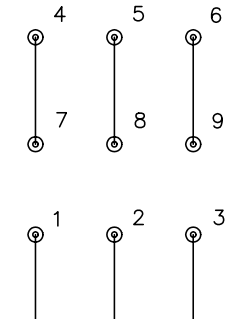


LOW VOLTAGE (2Y)



LINE

HIGH VOLTAGE (1Y)



LINE

NOTES:

1. INTERCHANGE ANY TWO LINE LEADS TO REVERSE ROTATION.
2. OPTIONAL THERMOSTATS ARE PROVIDED WHEN SPECIFIED.
3. ACTUAL NUMBER OF INTERNAL PARALLEL CIRCUITS MAY BE A MULTIPLE OF THOSE SHOWN ABOVE.
4. LEAD COLORS ARE OPTIONAL. LEADS MUST ALWAYS BE NUMBERED AS SHOWN.

REV. DESC: REVISE TO SHOW OPTIONAL COLORS			
REV. LTR: E	BY: JLP	REVISED: 01/19/99 10:15	TDR: 0171435
900000		FILE: AAA00005140	MDL: -
		MTL: -	

**BALDOR ELECTRIC Co.**

3PH, DV, 9 LEADS

CD0005

Marketing maintained PDF of MN416:

<http://www.baldor.com/support/Literature/Load.ashx/MN416?ManNumber=MN416>