

**BALDOR® • RELIANCE** 

**Product Information Packet**

**XM14222T**

**26M 2P XPFC HOR 145T T'STATS INVERTER**

Part Detail							
Revision:	D	Status:	PRD/A	Change #:		Proprietary:	No
Type:	AC	Elec. Spec:	35WGL739	CD Diagram:	CD0005	Mfg Plant:	
Mech. Spec:	35Q558	Layout:	35LYQ558	Poles:	02	Created Date:	12-13-2018
Base:	RG	Eff. Date:	04-29-2021	Leads:	9#18		

Specs			
Catalog Number:	XM14222T	Front Shaft Indicator:	None
Enclosure:	XPFC	Heater Indicator:	No Heater
Frame:	145T	Insulation Class:	F
Frame Material:	Steel	Inverter Code:	Inverter Duty
Output @ Frequency:	2.000 HP @ 60 HZ	IP Rating:	NONE
	1.500 HP @ 50 HZ	KVA Code:	M
Synchronous Speed @ Frequency:	3600 RPM @ 60 HZ	Lifting Lugs:	No Lifting Lugs
Voltage @ Frequency:	230.0 V @ 60 HZ	Locked Bearing Indicator:	No Locked Bearing
	190.0 V @ 50 HZ	Motor Lead Quantity/Wire Size:	9 @ 18 AWG
	460.0 V @ 60 HZ	Motor Lead Termination:	Flying Leads
	380.0 V @ 50 HZ	Motor Type:	X3526M
XP Class and Group:	CLI GP D; CLII GP F,G	Mounting Arrangement:	F1
XP Division:	Division I	Power Factor:	88
Agency Approvals:	UR	Product Family:	Hazardous Location Motor
	CSA EEV	Pulley End Bearing Type:	Ball
	CSA	Pulley Face Code:	Standard
Auxillary Box:	No Auxillary Box	Pulley Shaft Indicator:	Standard
Auxillary Box Lead Termination:	None	Rodent Screen:	None

Product Information Packet: XM14222T - 26M 2P XPFC HOR 145T T'STATS INVERTER

<b>Base Indicator:</b>	Rigid	<b>RoHS Status:</b>	ROHS NON-COMPLIANT
<b>Bearing Grease Type:</b>	Polyrex EM (-20F +300F)	<b>Shaft Ground Indicator:</b>	No Shaft Grounding
<b>Blower:</b>	None	<b>Shaft Rotation:</b>	Reversible
<b>Constant Torque Speed Range:</b>	1.8	<b>Shaft Slinger Indicator:</b>	No Slinger
<b>Current @ Voltage:</b>	5.000 A @ 230.0 V	<b>Speed Code:</b>	Single Speed
	4.600 A @ 190.0 V	<b>Motor Standards:</b>	NEMA
	2.500 A @ 460.0 V	<b>Starting Method:</b>	Direct on line
	2.300 A @ 380.0 V	<b>Thermal Device - Bearing:</b>	None
<b>Design Code:</b>	B	<b>Thermal Device - Winding:</b>	Normally Closed Thermostat
<b>Drip Cover:</b>	No Drip Cover	<b>Vibration Sensor Indicator:</b>	No Vibration Sensor
<b>Duty Rating:</b>	CONT	<b>Winding Thermal 1:</b>	None
<b>Electrically Isolated Bearing:</b>	Not Electrically Isolated	<b>Winding Thermal 2:</b>	None
<b>Feedback Device:</b>	NO FEEDBACK	<b>XP Temp Code:</b>	T3C

<b>Nameplate NP0887XPSLEV</b>											
<b>NO.</b>						<b>CC</b>	010A				
<b>S/N</b>						<b>TEMP CODE</b>	T3C				
<b>SPEC.</b>	35Q558L739G1					<b>INV. TYPE</b>	PWM				
<b>CAT.NO.</b>	XM14222T					<b>C HP FR</b>	60		<b>C HP TO</b>	90	
<b>HP</b>	2//1.5					<b>CT HZ FROM</b>	1.8		<b>CT HZ TO</b>	60	
<b>VOLTS</b>	230/460//190/380					<b>VT HZ FROM</b>	1.8		<b>VT HZ TO</b>	60	
<b>AMPS</b>	5/2.5//4.6/2.3					<b>MAG CUR</b>	1.8/9				
<b>RPM</b>	3490//2890					<b>MX RPM</b>	5400				
<b>HZ</b>	60//50		<b>PH</b>	3	<b>CL</b>	F		<b>NOM.EFF.</b>	85.5		
<b>SER.F.</b>	1.00		<b>DES</b>	B		<b>SL HZ</b>	1.8		<b>WK2</b>	0.07	
<b>FRAME</b>	145T		<b>RATING</b>	40C AMB-CONT							
55C AMB AT 1.00 SF SINEWAVE											
NEMA MG-1 PART 5, IP54					1.15 SF SINEWAVE						

Parts List		
Part Number	Description	Quantity
SA364053	SA 35Q558L739G1	1.000 EA
RA353362	RA 35Q558L739G1	1.000 EA
35CB3001A02SP	EXPL PROOF CONDUIT BOX, 3/4"PIPE TAP LEA	1.000 EA
11XW1032G06	10-32 X .38, TAPTITE II, HEX WSHR SLTD U	1.000 EA
HW3001B01	BRASS CUP WASHER, FOR #10 SCREW	1.000 EA
35EP3700A01SP	FR ENDPLATE, XPFC	1.000 EA
HW5100A03	WAVY WASHER (W1543-017)	1.000 EA
35EP3701A01	PU ENDPLATE, XPFC - 205 BRG	1.000 EA
XY3118A12	5/16-18 HEX NUT DIRECTIONAL SERRATION	4.000 EA
35FH4005A01SP	IEC FH NO GREASER W/PRIMED	1.000 EA
51XW1032A06	10-32 X .38, TAPTITE II, HEX WSHR SLTD S	3.000 EA
35CB3500A01SP	CONDUIT BOX LID, MACH	1.000 EA
51XN2520A16	SCREW, HEX WS SLT, ZN, 1/4-20 X 1.00	4.000 EA
HW2501D13	KEY, 3/16 SQ X 1.375	1.000 EA
HA7000A01	KEY RETAINER 7/8" DIA SHAFT	1.000 EA
85XU0407S04	4X1/4 U DRIVE PIN STAINLESS	6.000 EA
NP0018F	ALUM UL XP CONDUIT BOX NAMEPLATE	1.000 EA
HA1025A21	WSHR,FELT .125" THK	1.000 EA
MJ1000A02	GREASE, MOBIL POLYREX EM - 124047	0.050 LB
35FN3002A05SP	EXFN, PLASTIC, 6.376 OD, .638 ID	1.000 EA
51XB1214A16	12-14X1.00 HXWSSLD SERTYB	1.000 EA
MG1025G29	WILKOFASST, 789.229, DARK CHARCOAL GRAY	0.017 GA
HA3104A08	THRUBOLT-5/16-18X9.375 X X	4.000 EA
LB1119N	WARNING LABEL	1.000 EA

<b>Parts List (continued)</b>		
<b>Part Number</b>	<b>Description</b>	<b>Quantity</b>
LC0145B01	CONNECTION LABEL	1.000 EA
NP0887XPSLEV	SS XP INV UL CSA-EEV CC CL-I GP-D	1.000 EA
36PA1001	PKG GRP, PRINT PK1017A06	1.000 EA
MN416A01	TAG-INSTAL-MAINT no wire (2100/bx) 4/22	1.000 EA

**AC Induction Motor Performance Data**

Record # 73835

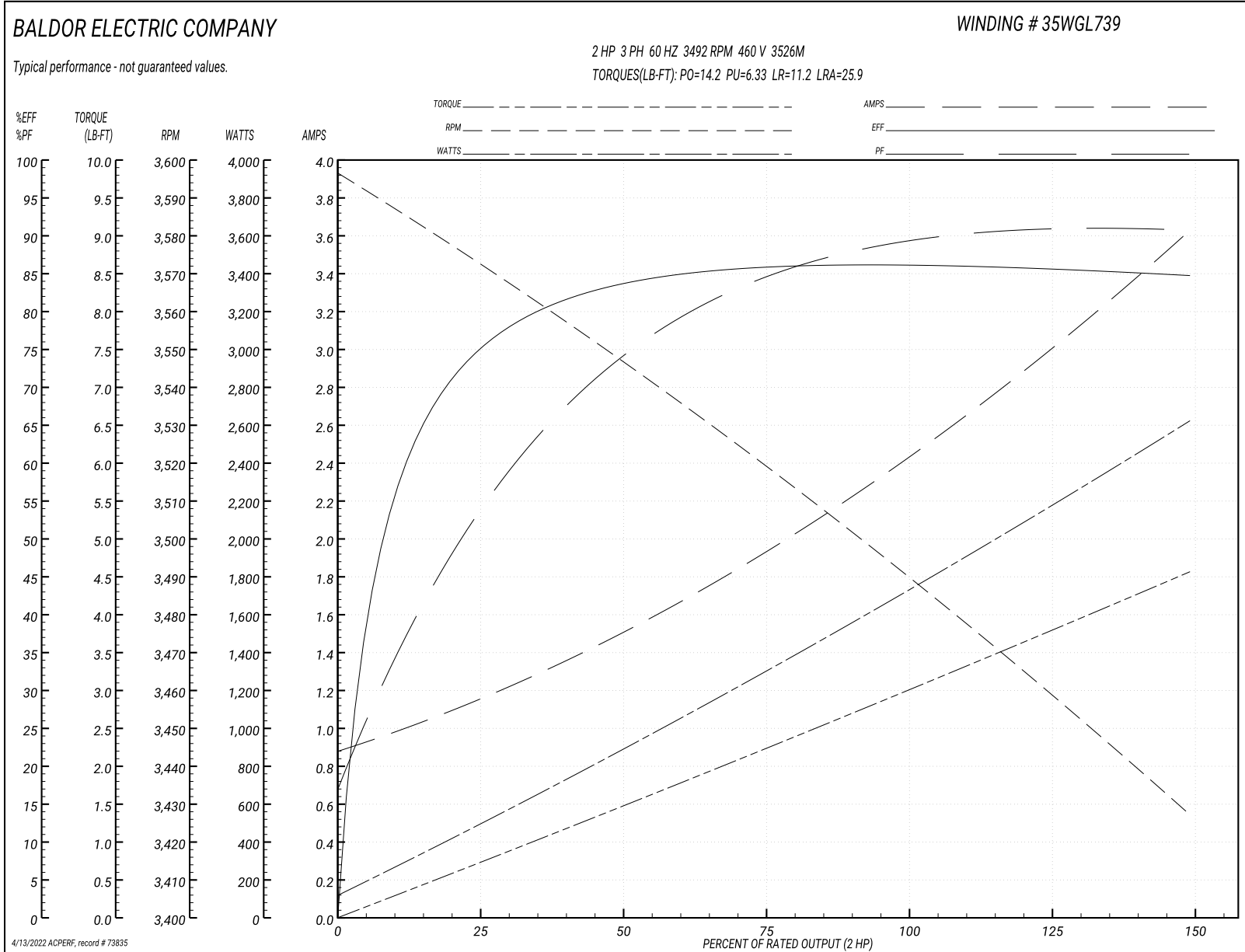
Typical performance - not guaranteed values

<b>Winding:</b> 35WGL739-R028		<b>Type:</b> 3526M		<b>Enclosure:</b> XPFC	
<b>Nameplate Data</b>			<b>460 V, 60 Hz: High Voltage, High Speed Connection</b>		
<b>Rated Output (HP)</b>	2//1.5		<b>Full Load Torque</b>	2.98 LB-FT	
<b>Volts</b>	230/460//190/380		<b>Start Configuration</b>	direct on line	
<b>Full Load Amps</b>	5/2.5//4.6/2.3		<b>Breakdown Torque</b>	14.2 LB-FT	
<b>R.P.M.</b>	3490//2890		<b>Pull-up Torque</b>	6.33 LB-FT	
<b>Hz</b>	60//50	<b>Phase</b>	3	<b>Locked-rotor Torque</b>	11.2 LB-FT
<b>NEMA Design Code</b>	<b>B KVA Code</b>		M	<b>Starting Current</b>	25.9 A
<b>Service Factor (S.F.)</b>			1	<b>No-load Current</b>	0.912 A
<b>NEMA Nom. Eff.</b>	85.5	<b>Power Factor</b>	88	<b>Line-line Res. @ 25°C</b>	6.88 Ω
<b>Rating - Duty</b>	40C AMB-CONT			<b>Temp. Rise @ Rated Load</b>	44°C
				<b>Locked-rotor Power Factor</b>	49.9
				<b>Rotor inertia</b>	0.0719 LB-FT <sup>2</sup>

**Load Characteristics 460 V, 60 Hz, 2 HP**

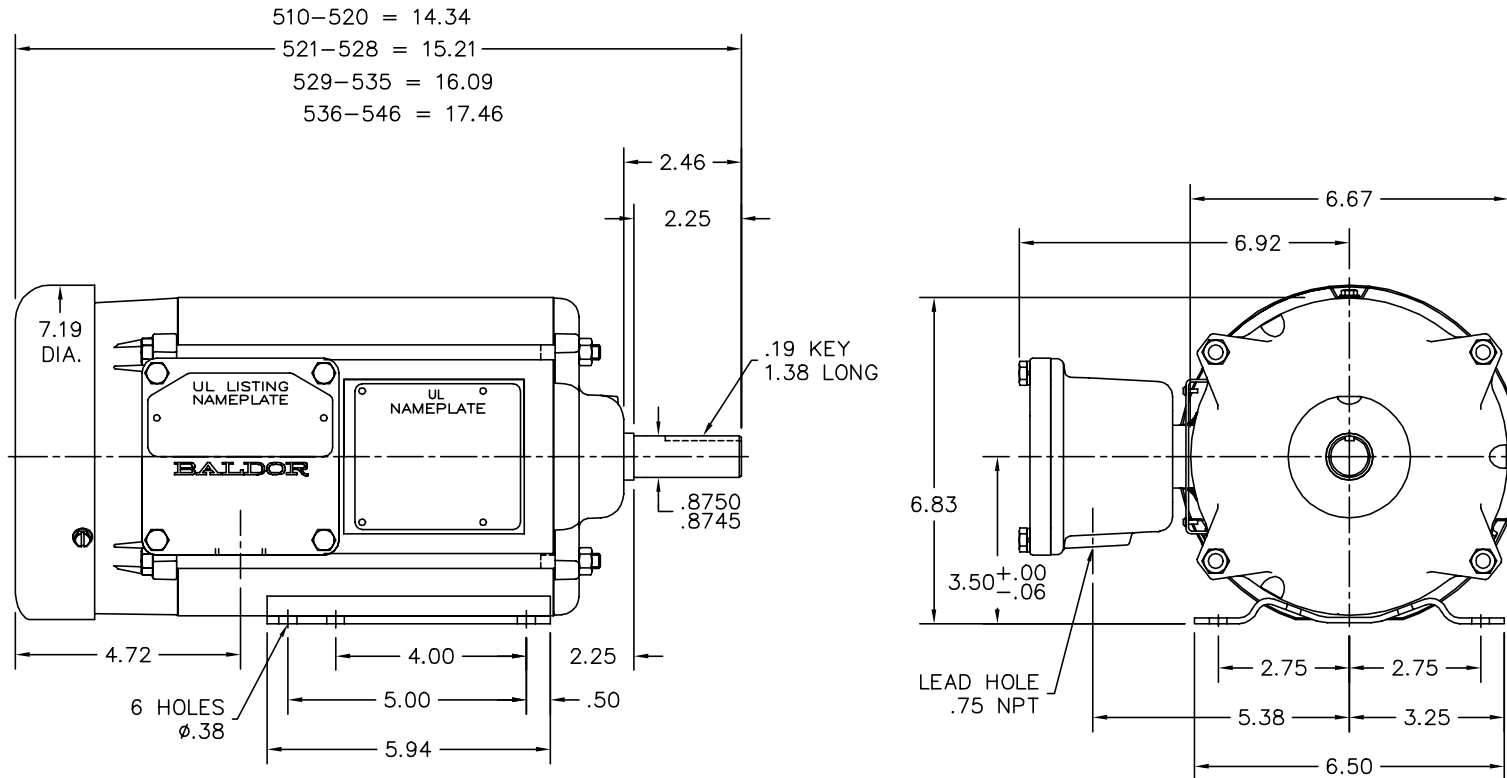
<b>% of Rated Load</b>	<b>25</b>	<b>50</b>	<b>75</b>	<b>100</b>	<b>125</b>	<b>150</b>
<b>Power Factor</b>	55	75	84	88	90	91
<b>Efficiency</b>	73.4	83.6	85.7	86.3	85.7	84.6
<b>Speed</b>	3572	3547	3520	3492	3461	3426
<b>Line amperes</b>	1.1	1.47	1.93	2.44	3	3.61

Performance Graph at 460V, 60Hz, 2.0HP Typical performance - Not guaranteed values





35LYQ558



CUSTOMER IS RESPONSIBLE FOR DETERMINING THAT BALDOR'S PRODUCT WILL PERFORM SUITABLY IN THE INTENDED APPLICATION.

REV. DESC: UPDATE PARTS		
REV. LTR: A	VERSION: 01	TDR: 000000983996
FILE: \AAA\00059\703	REVISED: 11:44:51 06/13/2016	BY: ENBENBO
MTL: -	Ⓢ Ⓜ	

**BALDOR**

HORZ 143-5T XPFC 35M CL I GP-D, CL II GP-F&G (INVERTER)

SH 1 of 1

35LYQ558

CD0005



LOW VOLTAGE  
(2Y)



LINE

HIGH VOLTAGE  
(1Y)



LINE

NOTES:

1. INTERCHANGE ANY TWO LINE LEADS TO REVERSE ROTATION.
2. OPTIONAL THERMOSTATS ARE PROVIDED WHEN SPECIFIED.
3. ACTUAL NUMBER OF INTERNAL PARALLEL CIRCUITS MAY BE A MULTIPLE OF THOSE SHOWN ABOVE.
4. LEAD COLORS ARE OPTIONAL. LEADS MUST ALWAYS BE NUMBERED AS SHOWN.

REV. DESC: REVISE TO SHOW OPTIONAL COLORS			
REV. LTR: E	BY: JLP	REVISED: 01/19/99 10:15	TDR: 0171435
90000		FILE: AAA00005140	MDL: -
		MTL: -	

**BALDOR ELECTRIC Co.**

3PH, DV, 9 LEADS

CD0005

Marketing maintained PDF of MN416:

<http://www.baldor.com/support/Literature/Load.ashx/MN416?ManNumber=MN416>