

BALDOR® • RELIANCE 

Product Information Packet

XM18522T-5

5HP,3450RPM,3PH,60HZ,184T,3630M,XPFC,F1

Part Detail							
Revision:	A	Status:	PRD/A	Change #:		Proprietary:	No
Type:	AC	Elec. Spec:	36WGS505	CD Diagram:	CD0006	Mfg Plant:	
Mech. Spec:		Layout:	36LYP346	Poles:	02	Created Date:	04-22-2021
Base:		Eff. Date:	11-15-2021	Leads:	3#16		

Specs			
Catalog Number:	XM18522T-5	Heater Indicator:	No Heater
Enclosure:	XPFC	Insulation Class:	F
Frame:	184T	Inverter Code:	Inverter Duty
Frame Material:	Steel	IP Rating:	NONE
Output @ Frequency:	5.000 HP @ 60 HZ	KVA Code:	L
Synchronous Speed @ Frequency:	3600 RPM @ 60 HZ	Lifting Lugs:	No Lifting Lugs
Voltage @ Frequency:	575.0 V @ 60 HZ	Locked Bearing Indicator:	No Locked Bearing
XP Class and Group:	CLI GP D; CLII GP F,G	Motor Lead Termination:	Flying Leads
XP Division:	Division I	Motor Type:	3630M
Agency Approvals:	CSA	Mounting Arrangement:	F1
	CSA EEV	Power Factor:	91
	UR	Product Family:	General Purpose
Auxillary Box:	No Auxillary Box	Pulley Face Code:	Standard
Auxillary Box Lead Termination:	None	Rodent Screen:	None
Base Indicator:	Rigid	Shaft Ground Indicator:	No Shaft Grounding
Bearing Grease Type:	Polyrex EM (-20F +300F)	Shaft Rotation:	Reversible
Blower:	None	Speed Code:	Single Speed
Constant Torque Speed Range:	6	Motor Standards:	NEMA

Current @ Voltage:	4.700 A @ 575.0 V	Starting Method:	Direct on line
Design Code:	A	Thermal Device - Bearing:	None
Drip Cover:	No Drip Cover	Thermal Device - Winding:	Normally Closed Thermostat
Duty Rating:	CONT	Vibration Sensor Indicator:	No Vibration Sensor
Electrically Isolated Bearing:	Not Electrically Isolated	Winding Thermal 1:	None
Feedback Device:	NO FEEDBACK	Winding Thermal 2:	None
		XP Temp Code:	T3C

Nameplate NP0887XPSLEV										
NO.						CC	010A			
S/N						TEMP CODE	T3C			
SPEC.	36-0000-0512					INV.TYPE	PWM			
CAT.NO.	XM18522T-5					C HP FR	60		C HP TO	90
HP	5					CT HZ FROM	6		CT HZ TO	60
VOLTS	575					VT HZ FROM	6		VT HZ TO	60
AMPS	4.7					MAG CUR	1.3			
RPM	3450					MX RPM	5400			
HZ	60	PH	3	CL	F	NOM.EFF.	88.5			
SER.F.	1.00		DES	A	SL HZ	2.3		WK2	0.14	
FRAME	184T		RATING	40C AMB-CONT						
NEMA MG-1 PART 5, IP54										
1.15 SF ON SINE WAVE										

Parts List		
Part Number	Description	Quantity
SA392945	SA 36-0000-0512	1.000 EA
RA383551	RA 36-0000-0512	1.000 EA
LB1119N	WARNING LABEL	1.000 EA
LC0006	CONNECTION LABEL	1.000 EA
NP0887XPSLEV	SS XP INV UL CSA-EEV CC CL-I GP-D	1.000 EA
85XU0407S04	4X1/4 U DRIVE PIN STAINLESS	2.000 EA
85XU0407S04	4X1/4 U DRIVE PIN STAINLESS	4.000 EA
MN416A01	TAG-INSTAL-MAINT no wire (2100/bx) 4/22	1.000 EA
NP0018F	ALUM UL XP CONDUIT BOX NAMEPLATE	1.000 EA
36FH4009A02	FAN COVER FOR VM7042T,PRIMER	1.000 EA
51XW1032A06	10-32 X .38, TAPTITE II, HEX WSHR SLTD S	3.000 EA
36FN3000C01SP	EXFN, PLASTIC, 5.25 OD, .912 ID	1.000 EA
51XB1214A16	12-14X1.00 HXWSSLD SERTYB	1.000 EA
MJ1000A02	GREASE, MOBIL POLYREX EM - 124047	0.050 LB
HA3105A09	THRUBOLT 3/8-16 X 12.000	4.000 EA
36EP3700A01	FR ENDPLATE, MACH	1.000 EA
HW5100A05	WVY WSHR F/205 & 304 BRGS	1.000 EA
HW4500A19	1/4-28X1/4 SLOTTED PLUG F/S	2.000 EA
36EP3701A01	PU ENDPLATE, MACH	1.000 EA
HW4500A19	1/4-28X1/4 SLOTTED PLUG F/S	2.000 EA
35CB3001A02SP	EXPL PROOF CONDUIT BOX, 3/4"PIPE TAP LEA	1.000 EA
11XW1032G06	10-32 X .38, TAPTITE II, HEX WSHR SLTD U	1.000 EA
HW3001B01	BRASS CUP WASHER, FOR #10 SCREW	1.000 EA
35CB3500A01SP	CONDUIT BOX LID, MACH	1.000 EA

Parts List (continued)		
Part Number	Description	Quantity
51XN2520A16	SCREW, HEX WS SLT, ZN, 1/4-20 X 1.00	4.000 EA
MG1500Y02	WILKOPON PRIMER YELLOW	0.022 GA
MG1025G29	WILKOFAST, 789.229, DARK CHARCOAL GRAY	0.022 GA
36PA1001	PKG GRP, PRINT PK1017A06	1.000 EA
HW2501E19	STD SQUARE KEY .25 SQUARE X 2.125 LONG	1.000 EA
HA7000A02	KEY RETAINER RING, 1 1/8 DIA, 1 3/8 DIA	1.000 EA

AC Induction Motor Performance Data

Record # 36909

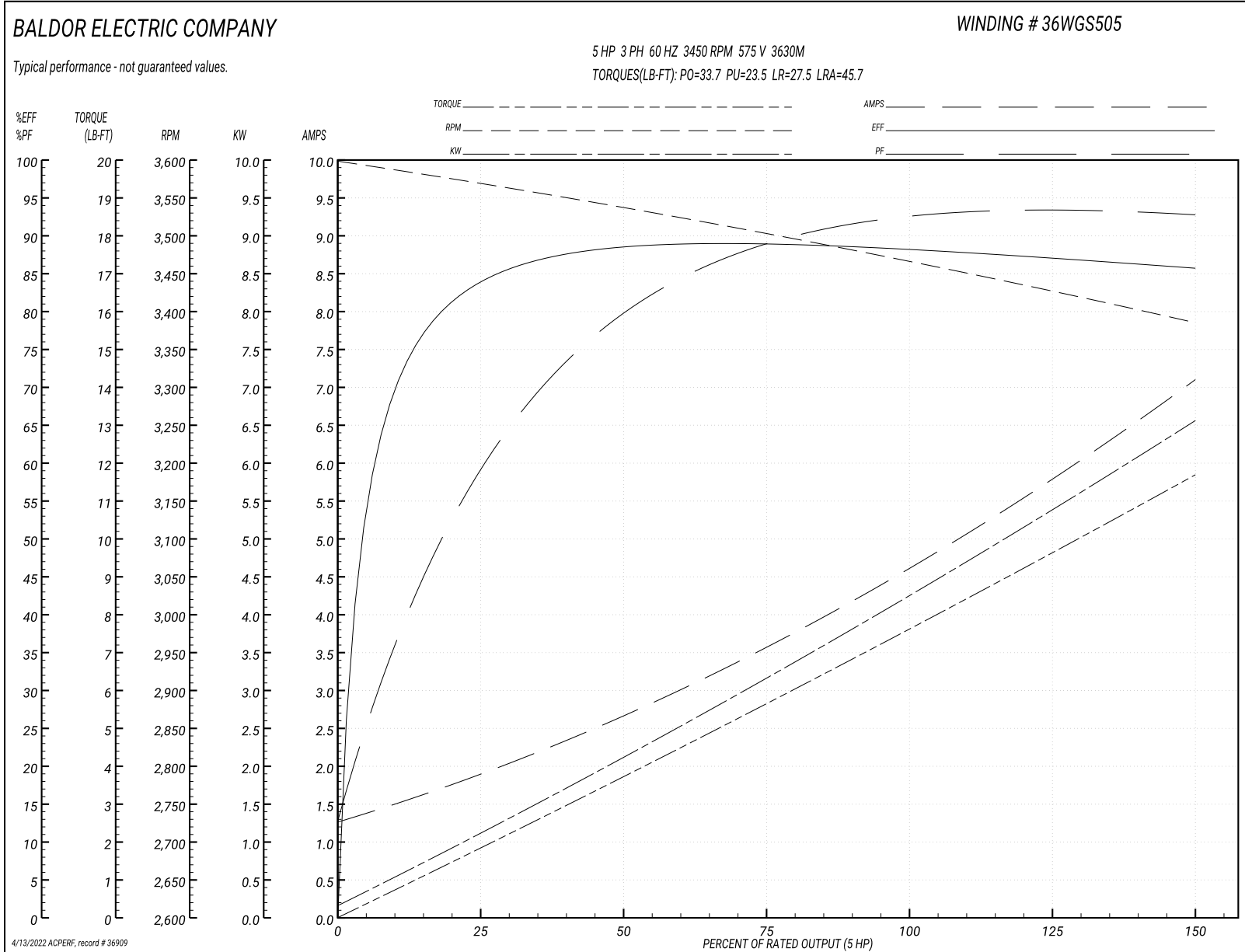
Typical performance - not guaranteed values

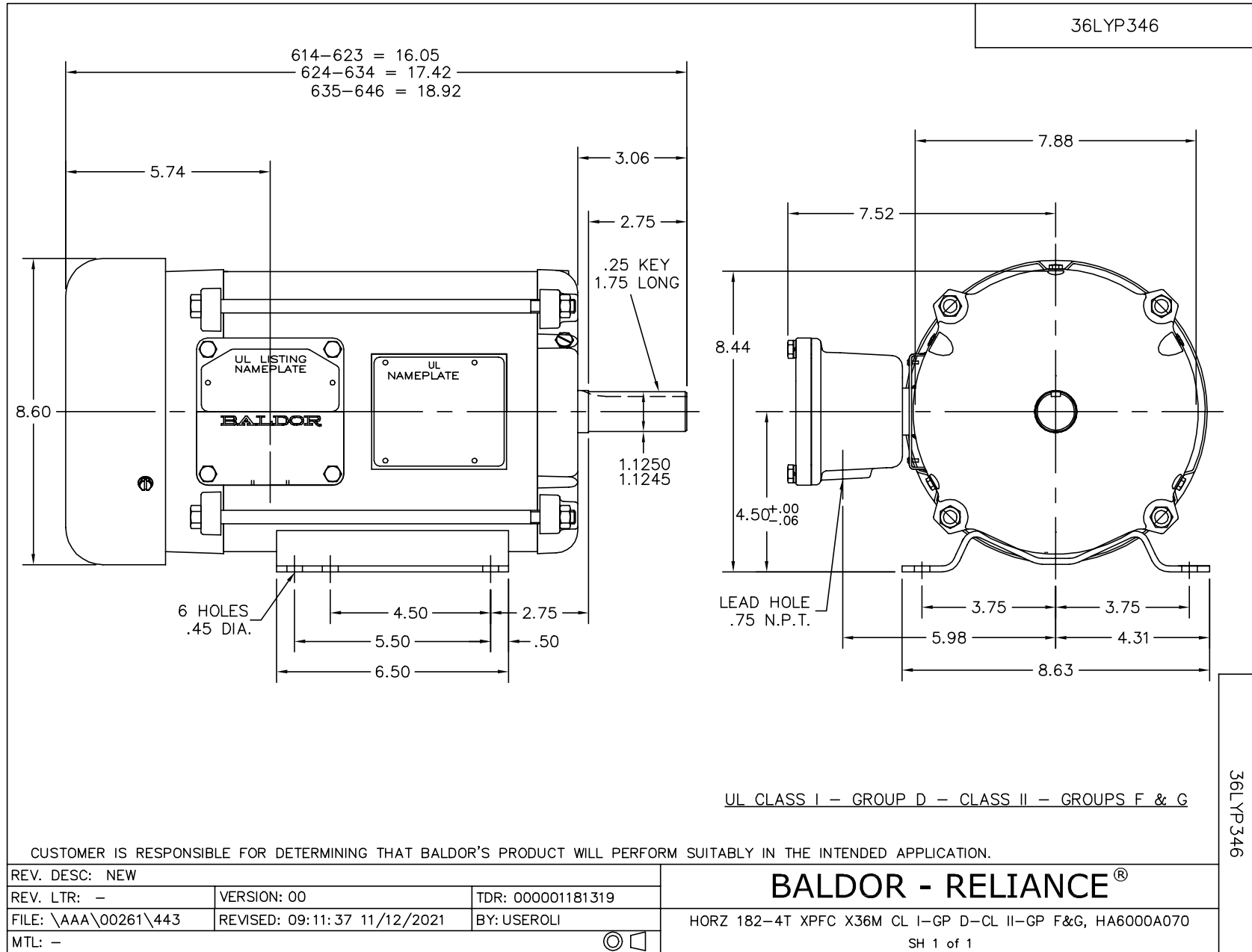
Winding: 36WGS505-R002		Type: 3630M		Enclosure: XPFC	
Nameplate Data			575 V, 60 Hz: Single Voltage Motor		
Rated Output (HP)	5	Full Load Torque	7.64 LB-FT		
Volts	575	Start Configuration	direct on line		
Full Load Amps	4.7	Breakdown Torque	33.7 LB-FT		
R.P.M.	3450	Pull-up Torque	23.5 LB-FT		
Hz	60	Phase	3	Locked-rotor Torque	27.5 LB-FT
NEMA Design Code	A	KVA Code	L	Starting Current	45.7 A
Service Factor (S.F.)	1	No-load Current	1.34 A		
NEMA Nom. Eff.	88.5	Power Factor	91	Line-line Res. @ 25°C	3.58 Ω
Rating - Duty	40C AMB-CONT		Temp. Rise @ Rated Load	72°C	
			Locked-rotor Power Factor	45	
			Rotor inertia	0.134 LB-FT ²	

Load Characteristics 575 V, 60 Hz, 5 HP

% of Rated Load	25	50	75	100	125	150
Power Factor	63	81	88	91	93	93
Efficiency	83.2	88.4	89.1	88.3	87	85.8
Speed	3569	3537	3504	3466	3428	3385
Line amperes	1.79	2.61	3.58	4.68	5.81	7.05

Performance Graph at 575V, 60Hz, 5.0HP Typical performance - Not guaranteed values





CD0006



NOTES:

1. THREE LEAD MOTOR MAY BE EITHER WYE CONNECTED OR DELTA CONNECTED.
2. INTERCHANGE ANY TWO LINE LEADS TO REVERSE ROTATION.
3. OPTIONAL THERMOSTATS ARE PROVIDED WHEN SPECIFIED.
4. ACTUAL NUMBER OF INTERNAL PARALLEL CIRCUITS MAY VARY.
5. LEAD COLORS ARE OPTIONAL. LEADS MUST BE NUMBERED AS SHOWN.

CD0006

REV. DESC: ADD CLASS CONN00000007		
REV. LTR: E	VERSION: 01	TDR: 000001099922
FILE: \AAA\00005\141	REVISED: 10:24:49 02/19/2019	BY: ENBRIRO
MTL: -		

BALDOR - RELIANCE®

3PH, SV, 3 LEADS, WYE OR DELTA CONNECTED

SH 1 of 1

Marketing maintained PDF of MN416:

<http://www.baldor.com/support/Literature/Load.ashx/MN416?ManNumber=MN416>