

BALDOR® • RELIANCE 

Product Information Packet

XM18542T-CI

5//3HP,1750//1465RPM,3PH,60//50HZ,184T,0

Part Detail							
Revision:	-	Status:	PRD/A	Change #:		Proprietary:	No
Type:	AC	Elec. Spec:	06WGW352	CD Diagram:	CD0005	Mfg Plant:	
Mech. Spec:		Layout:	06LYJ014	Poles:	04	Created Date:	05-07-2021
Base:		Eff. Date:	05-17-2021	Leads:	9#16		

Specs			
Catalog Number:	XM18542T-CI	Drip Cover:	No Drip Cover
Enclosure:	XPFC	Duty Rating:	CONT
Frame:	184T	Electrically Isolated Bearing:	Not Electrically Isolated
Frame Material:	Iron	Feedback Device:	NO FEEDBACK
Output @ Frequency:	5.000 HP @ 60 HZ	Heater Indicator:	No Heater
	3.000 HP @ 50 HZ	Insulation Class:	F
Synchronous Speed @ Frequency:	1800 RPM @ 60 HZ	Inverter Code:	Inverter Duty
Voltage @ Frequency:	190.0 V @ 50 HZ	IP Rating:	NONE
	230.0 V @ 60 HZ	KVA Code:	J
	380.0 V @ 50 HZ	Lifting Lugs:	Standard Lifting Lugs
	460.0 V @ 60 HZ	Locked Bearing Indicator:	No Locked Bearing
XP Class and Group:	CLI GP D; CLII GP F,G	Motor Lead Termination:	Flying Leads
XP Division:	Division I	Motor Type:	0640M
Agency Approvals:	UR	Mounting Arrangement:	F1
	CSA EEV	Power Factor:	80
	CSA	Product Family:	General Purpose
Auxillary Box:	No Auxillary Box	Pulley Face Code:	Standard
Auxillary Box Lead Termination:	None	Rodent Screen:	None

Base Indicator:	Rigid	Shaft Ground Indicator:	No Shaft Grounding
Bearing Grease Type:	Polyrex EM (-20F +300F)	Shaft Rotation:	Reversible
Blower:	None	Speed Code:	Single Speed
Constant Torque Speed Range:	6	Motor Standards:	NEMA
Current @ Voltage:	6.500 A @ 460.0 V	Starting Method:	Direct on line
	5.200 A @ 380.0 V	Thermal Device - Bearing:	None
	13.800 A @ 208.0 V	Thermal Device - Winding:	Normally Closed Thermostat
	13.000 A @ 230.0 V	Vibration Sensor Indicator:	No Vibration Sensor
	10.400 A @ 190.0 V	Winding Thermal 1:	None
Design Code:	B	Winding Thermal 2:	None
		XP Temp Code:	T3C

Nameplate NP0887XPSLEV										
NO.						CC	010A			
S/N						TEMP CODE	T3C			
SPEC.	06-0000-0918					INV.TYPE	PWM			
CAT.NO.	XM18542T-CI					C HP FR	60		C HP TO	90
HP	5//3					CT HZ FROM	6		CT HZ TO	60
VOLTS	230/460//190/380					VT HZ FROM	6		VT HZ TO	60
AMPS	13/6.5//10.4/5.2					MAG CUR	6.8/3.4			
RPM	1750//1465					MX RPM	2700			
HZ	60//50	PH	3	CL	F	NOM.EFF.	90.2			
SER.F.	1.00		DES	B	SL HZ	1.7		WK2	0.37	
FRAME	184T		RATING	40C AMB-CONT						
NEMA MG-1 PART 5, IP54										
1.15 SF ON SINE WAVE										

Parts List		
Part Number	Description	Quantity
SA393537	SA 06-0000-0918	1.000 EA
RA384189	RA 06-0000-0918	1.000 EA
LB1115N	LABEL,LIFTING DEVICE (ON ROLLS)	1.000 EA
LB1119N	WARNING LABEL	1.000 EA
LC0145B01	CONNECTION LABEL	1.000 EA
NP0887XPSLEV	SS XP INV UL CSA-EEV CC CL-I GP-D	1.000 EA
85XU0407S04	4X1/4 U DRIVE PIN STAINLESS	4.000 EA
85XU0407S04	4X1/4 U DRIVE PIN STAINLESS	2.000 EA
MN416A01	TAG-INSTAL-MAINT no wire (2100/bx) 4/22	1.000 EA
LB1081F	ALUM XP CAUTION LABEL (FS PLANT ONLY-	1.000 EA
HW3201A05	3/8-16 EYEBOLT	1.000 EA
06FH1003A01	FAN COVER, CAST X-PROOF--MACHINING	1.000 EA
51XN1032A14	10-32 X 0.875 HX WS SL SR	4.000 EA
MJ1000A02	GREASE, MOBIL POLYREX EM - 124047	0.050 LB
06EP1706A05	SPL FR X-PROOF ENDPLATE TEFC W/OUT GRSR	1.000 EA
10XN3118K20	5/16-18 X 1 1/4 GRADE 5 STEEL ZC PLATED	4.000 EA
HW5100A05	WVY WSHR F/205 & 304 BRGS	1.000 EA
36EP1701A18	PULLEY ENDPLATE 06X 206 BRG	1.000 EA
HW1001A31	LOCKWASHER 5/16, ZINC PLT.591 OD, .319 I	4.000 EA
HW1001A31	LOCKWASHER 5/16, ZINC PLT.591 OD, .319 I	4.000 EA
10XN3118K20	5/16-18 X 1 1/4 GRADE 5 STEEL ZC PLATED	4.000 EA
07CB1000A02	CONDUIT BOX, MODEL 306,EXP. PROOF	1.000 EA
10XN2520A14	1/4 20X7/8 HX HD CAP	4.000 EA
HW1001A25	LOCKWASHER 1/4, ZINC PLT .493 OD, .255 I	4.000 EA

Parts List (continued)		
Part Number	Description	Quantity
WD1000B17	T&B CX35TN OR L35P TERMINAL LUG	1.000 EA
11XW1032G06	10-32 X .38, TAPTITE II, HEX WSHR SLTD U	1.000 EA
07CB1502A01	CONDUIT BOX LID MACH (DUCTILE IRON)	1.000 EA
10XN2520K16	1/4-20 X 1" HX HD SCRW GRADE 5, ZINC P	4.000 EA
HW1001A25	LOCKWASHER 1/4, ZINC PLT .493 OD, .255 I	4.000 EA
MG1500Y02	WILKOPON PRIMER YELLOW	0.022 GA
MG1025G29	WILKOFASST, 789.229, DARK CHARCOAL GRAY	0.022 GA
37PA1074	PALLET PACK GRP, PRINT BOX PK1026A06	1.000 EA
HW2501E16	KEY, 1/4 SQ X 1.750	1.000 EA
HA7000A02	KEY RETAINER RING, 1 1/8 DIA, 1 3/8 DIA	1.000 EA

AC Induction Motor Performance Data

Record # 88318

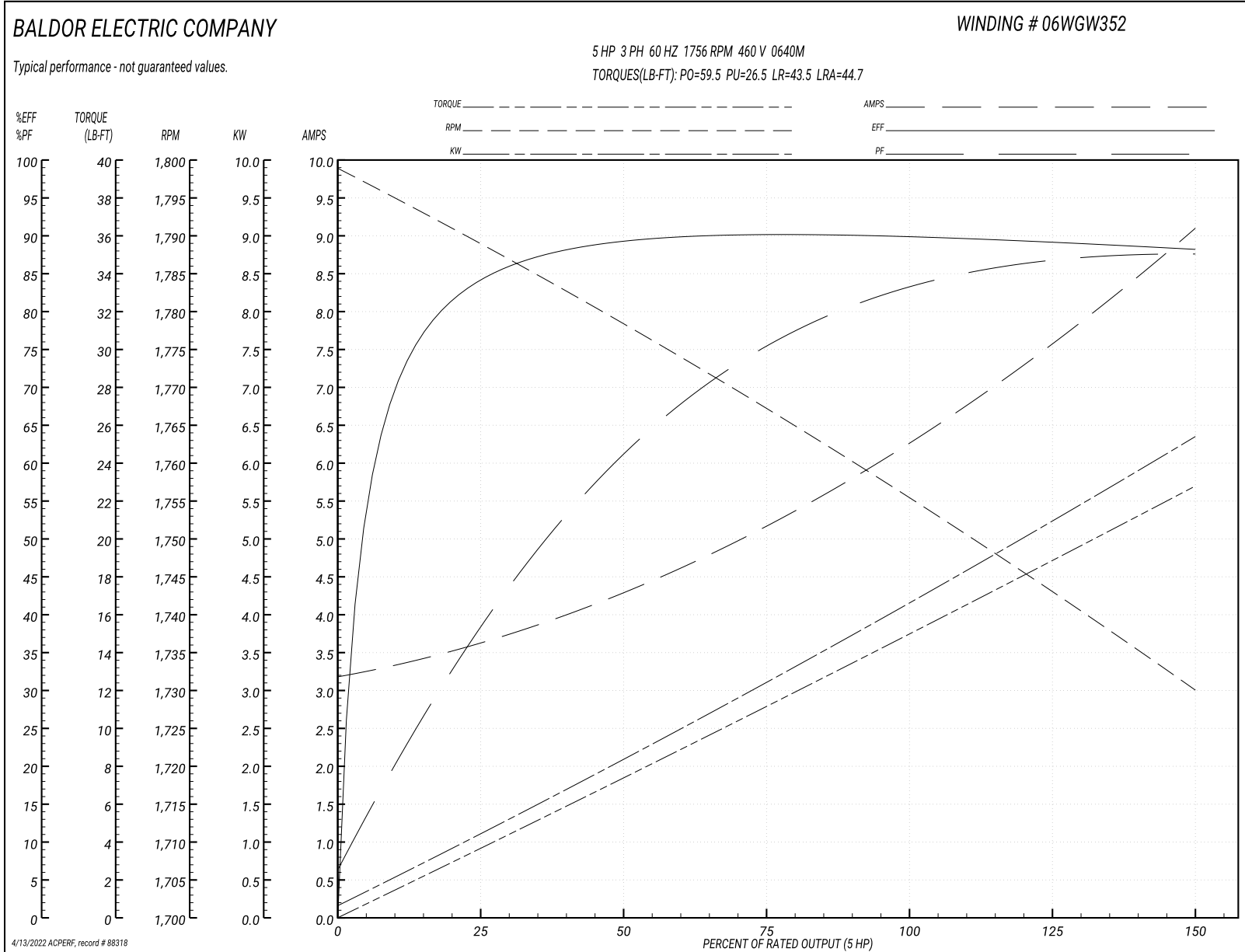
Typical performance - not guaranteed values

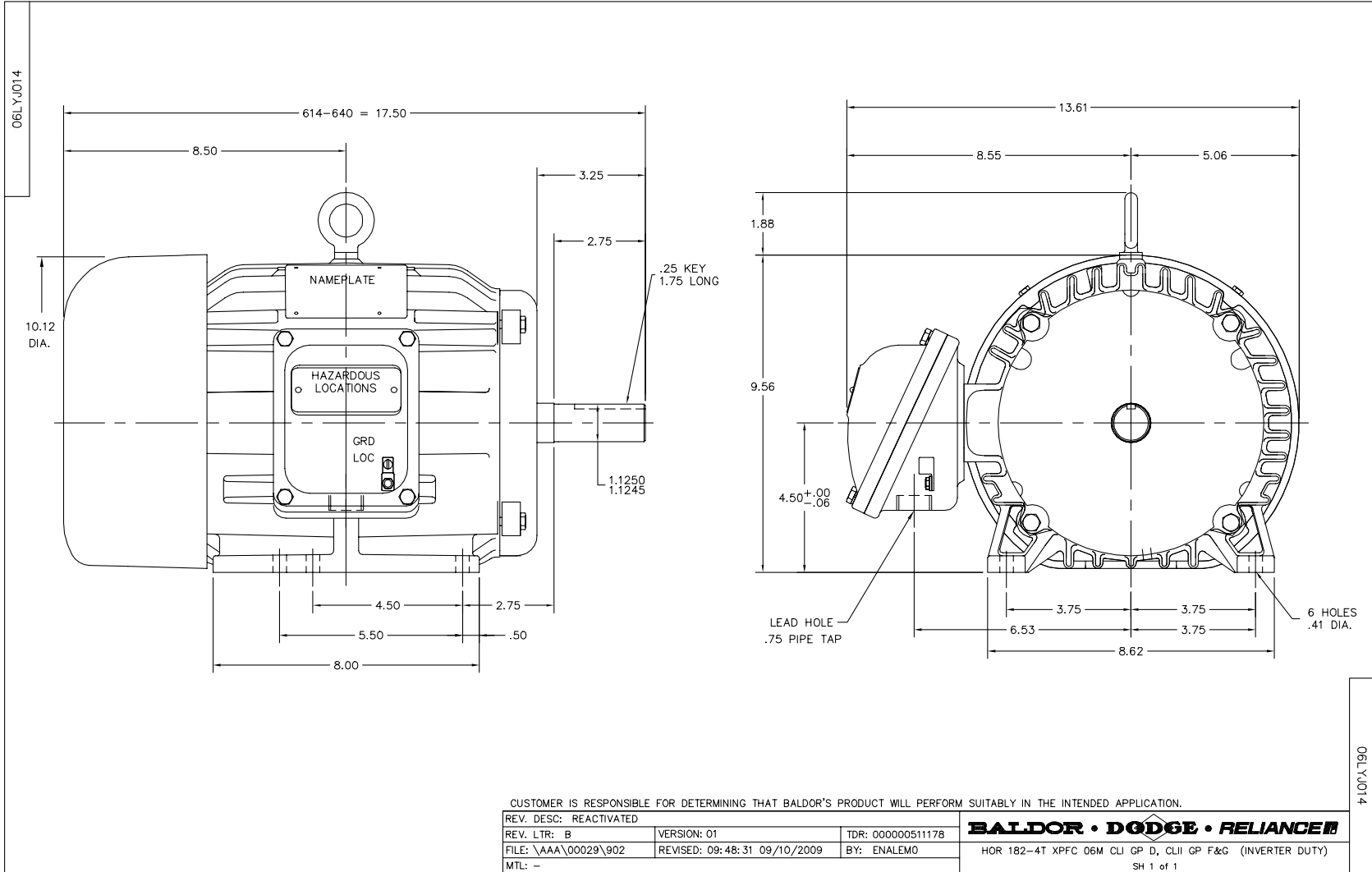
Winding: 06GW352-R037		Type: 0640M		Enclosure: XPFC	
Nameplate Data			460 V, 60 Hz: High Voltage Connection		
Rated Output (HP)	5//3		Full Load Torque	15 LB-FT	
Volts	230/460//190/380		Start Configuration	direct on line	
Full Load Amps	13/6.5//10.4/5.2		Breakdown Torque	59.5 LB-FT	
R.P.M.	1750//1465		Pull-up Torque	26.5 LB-FT	
Hz	60//50	Phase	3	Locked-rotor Torque	43.5 LB-FT
NEMA Design Code	B KVA Code		J	Starting Current	44.7 A
Service Factor (S.F.)			1	No-load Current	3.26 A
NEMA Nom. Eff.	90.2	Power Factor	80	Line-line Res. @ 25°C	2.44 Ω
Rating - Duty	40C AMB-CONT			Temp. Rise @ Rated Load	40°C
				Locked-rotor Power Factor	52.1
				Rotor inertia	0.372 lb-ft ²

Load Characteristics 460 V, 60 Hz, 5 HP

% of Rated Load	25	50	75	100	125	150
Power Factor	40	62	75	82	86	88
Efficiency	83.9	89	90	89.9	89.2	88.2
Speed	1789	1778	1767	1756	1743	1730
Line amperes	3.54	4.22	5.19	6.34	7.62	9.03

Performance Graph at 460V, 60Hz, 5.0HP Typical performance - Not guaranteed values

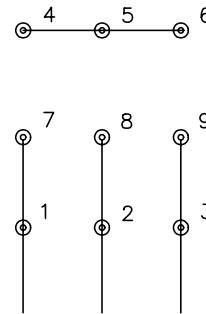




CD0005



LOW VOLTAGE
(2Y)



LINE

HIGH VOLTAGE
(1Y)



LINE

NOTES:

1. INTERCHANGE ANY TWO LINE LEADS TO REVERSE ROTATION.
2. OPTIONAL THERMOSTATS ARE PROVIDED WHEN SPECIFIED.
3. ACTUAL NUMBER OF INTERNAL PARALLEL CIRCUITS MAY BE A MULTIPLE OF THOSE SHOWN ABOVE.
4. LEAD COLORS ARE OPTIONAL. LEADS MUST ALWAYS BE NUMBERED AS SHOWN.

REV. DESC: REVISE TO SHOW OPTIONAL COLORS

REV. LTR: E BY: JLP

REVISED: 01/19/99 10:15

TDR: 0171435

9000D

FILE: AAA00005140

MDL: -

MTL: -

BALDOR ELECTRIC Co.

3PH, DV, 9 LEADS

CD0005

Marketing maintained PDF of MN416:

<http://www.baldor.com/support/Literature/Load.ashx/MN416?ManNumber=MN416>