

BALDOR® • RELIANCE 

Product Information Packet

XM25162T

56M 6P XPFC HOR 256T T'STATS INV DUTY

Part Detail							
Revision:	G	Status:	PRD/A	Change #:		Proprietary:	No
Type:	AC	Elec. Spec:	09WGZ383	CD Diagram:	CD0005	Mfg Plant:	
Mech. Spec:	09E270	Layout:	09LYE270	Poles:	06	Created Date:	03-27-2019
Base:	RG	Eff. Date:	12-08-2021	Leads:	9#12		

Specs			
Catalog Number:	XM25162T	Feedback Device:	NO FEEDBACK
Enclosure:	XPFC	Front Shaft Indicator:	None
Frame:	256T	Heater Indicator:	No Heater
Frame Material:	Iron	Insulation Class:	F
Output @ Frequency:	10.000 HP @ 60 HZ	Inverter Code:	Inverter Duty
	7.500 HP @ 50 HZ	IP Rating:	NONE
Synchronous Speed @ Frequency:	1200 RPM @ 60 HZ	KVA Code:	J
Voltage @ Frequency:	380.0 V @ 50 HZ	Lifting Lugs:	Standard Lifting Lugs
	230.0 V @ 60 HZ	Locked Bearing Indicator:	Locked Bearing
	190.0 V @ 50 HZ	Motor Lead Quantity/Wire Size:	9 @ 12 AWG
	460.0 V @ 60 HZ	Motor Lead Termination:	Flying Leads
XP Class and Group:	CLI GP D; CLII GP F,G	Motor Type:	X0956M
XP Division:	Division I	Mounting Arrangement:	F1
Agency Approvals:	UR	Power Factor:	70
	CSA EEV	Product Family:	Hazardous Location Motor
	CSA	Pulley End Bearing Type:	Ball
Auxillary Box:	No Auxillary Box	Pulley Face Code:	Standard
Auxillary Box Lead Termination:	None	Pulley Shaft Indicator:	None

Base Indicator:	Rigid	Rodent Screen:	None
Bearing Grease Type:	Polyrex EM (-20F +300F)	RoHS Status:	ROHS NON-COMPLIANT
Blower:	None	Shaft Ground Indicator:	No Shaft Grounding
Constant Torque Speed Range:	6	Shaft Rotation:	Reversible
Current @ Voltage:	30.400 A @ 208.0 V	Shaft Slinger Indicator:	No Slinger
	30.000 A @ 230.0 V	Speed Code:	Single Speed
	28.000 A @ 190.0 V	Motor Standards:	NEMA
	15.000 A @ 460.0 V	Starting Method:	Direct on line
	14.000 A @ 380.0 V	Thermal Device - Bearing:	None
Design Code:	A	Thermal Device - Winding:	Normally Closed Thermostat
Drip Cover:	No Drip Cover	Vibration Sensor Indicator:	No Vibration Sensor
Duty Rating:	CONT	Winding Thermal 1:	None
Electrically Isolated Bearing:	Not Electrically Isolated	Winding Thermal 2:	None
		XP Temp Code:	T3C

Nameplate NP0887XPSLEV									
NO.					CC	010A			
S/N					TEMP CODE	T3C			
SPEC.	09E270Z383G3				INV.TYPE	PWM			
CAT.NO.	XM25162T				C HP FR	60		C HP TO	90
HP	10//7.5				CT HZ FROM	6		CT HZ TO	60
VOLTS	230/460//190/380				VT HZ FROM	6		VT HZ TO	60
AMPS	30/15//28/14				MAG CUR	16/8			
RPM	1180//980				MX RPM	1800			
HZ	60//50		PH	3	CL	F			
SER.F.	1.15		DES	A	SL HZ	1		NOM.EFF.	91
FRAME	256T		RATING	40C AMB-CONT				WK2	4.5
55C AMB @1.0SF ON VFD,60C RISE									
NEMA MG-1 PT.5,IP54									

Parts List		
Part Number	Description	Quantity
SA367749	SA 09E270Z383G3	1.000 EA
RA357227	RA 09E270Z383G3	1.000 EA
09FN3001D01SP	EXTERNAL FAN, PLASTIC (COMES W/SCREW FRO	1.000 EA
MJ5000A09	EFI KIT #1578 (400 ML CARTRIDGE OF EFI	0.031 EA
09CB1000A57	CONDUIT BOX, MACH	1.000 EA
10XN3118K16	5/16-18 X 1' GRADE #5, STL, ZINC PLATE	4.000 EA
HW1001A31	LOCKWASHER 5/16, ZINC PLT.591 OD, .319 I	4.000 EA
WD1000B25	GND LUG, BURNDY L125HP OR T&B L125HP-BB	1.000 EA
19XW3118G08	.31-18X.50,HEX WSHR HD,TAPTITE 2,GREEN	1.000 EA
HW1001A25	LOCKWASHER 1/4, ZINC PLT .493 OD, .255 I	1.000 EA
09EP1700A01	FR ENDPLATE, MACH	1.000 EA
10XN3816K28	3/8-16 X 1.75 HEX HD CAP SCREW, GRADE 5	4.000 EA
HW1001A38	LOCKWASHER 3/8, ZINC PLT .688 OD, .382 I	4.000 EA
HW5100A08	W3118-035 WVY WSHR (WB)	1.000 EA
HA2002A05	SPACER, #208 BRG	1.000 EA
10XN2520K36	1/4-20 X 2.25" HX HD SCRWGRADE 5, ZINC P	4.000 EA
09EP1707A01	PU ENDPLATE, MACH	1.000 EA
10XN3816K28	3/8-16 X 1.75 HEX HD CAP SCREW, GRADE 5	4.000 EA
HW1001A38	LOCKWASHER 3/8, ZINC PLT .688 OD, .382 I	4.000 EA
09FH1004A01	FAN COVER, MACH	1.000 EA
10XN2520K14	1/4-20 X .88 HEX GRD 5 (20001)	3.000 EA
HW1001A25	LOCKWASHER 1/4, ZINC PLT .493 OD, .255 I	3.000 EA
09CB1500A01SP	CONDUIT BOX LID, MACH	1.000 EA
10XN2520K16	1/4-20 X 1" HX HD SCRW GRADE 5, ZINC P	6.000 EA

Parts List (continued)		
Part Number	Description	Quantity
HW1001A25	LOCKWASHER 1/4, ZINC PLT .493 OD, .255 I	6.000 EA
HW2501G25	KEY, 3/8 SQ X 2.875	1.000 EA
LB1115N	LABEL,LIFTING DEVICE (ON ROLLS)	1.000 EA
LB1073	ALUM XP CAUTION LABEL	1.000 EA
MJ5001A27	32220KN GRAY SEALER *MIN BUY 4 QTS=1GAL	0.001 QT
HW4500A20	1/8NPT SL PIPE PLUG	2.000 EA
MJ1000A02	GREASE, MOBIL POLYREX EM - 124047	0.080 LB
HW4500A20	1/8NPT SL PIPE PLUG	2.000 EA
HW2500A25	WOODRUFF KEY USA #1008 #BLOW CARBON STEE	1.000 EA
MG1025G29	WILKOFASST, 789.229, DARK CHARCOAL GRAY	0.050 GA
85XU0407S04	4X1/4 U DRIVE PIN STAINLESS	6.000 EA
LB1119N	WARNING LABEL	1.000 EA
LC0145B01	CONNECTION LABEL	1.000 EA
NP0887XPSLEV	SS XP INV UL CSA-EEV CC CL-I GP-D	1.000 EA
40PA1005	PACKAGING GROUP, 09 STD	1.000 EA
MN416A01	TAG-INSTAL-MAINT no wire (2100/bx) 4/22	1.000 EA
LD7020D09	LEAD SET, 12AWG, 9 LEAD, 20" LONG LEADS	1.000 EA

AC Induction Motor Performance Data

Record # 31471

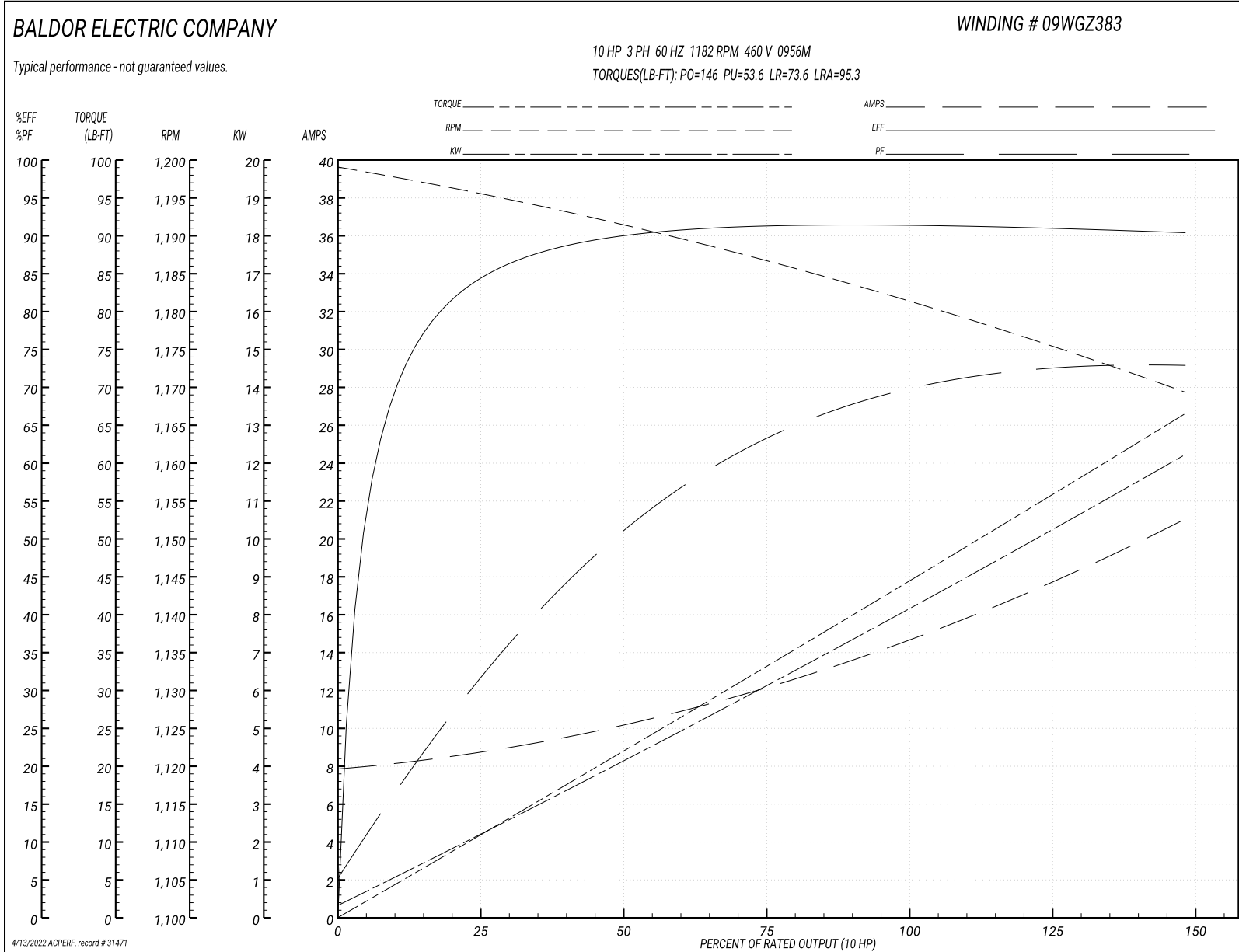
Typical performance - not guaranteed values

Winding: 09WGZ383-R005		Type: 0956M		Enclosure: XPFC	
Nameplate Data			460 V, 60 Hz: High Voltage Connection		
Rated Output (HP)	10//7.5		Full Load Torque	44.4 LB-FT	
Volts	230/460//190/380		Start Configuration	direct on line	
Full Load Amps	29.2/14.6//27.4/13.7		Breakdown Torque	146 LB-FT	
R.P.M.	1180//980		Pull-up Torque	53.6 LB-FT	
Hz	60//50	Phase	3	Locked-rotor Torque	73.6 LB-FT
NEMA Design Code	B	KVA Code	J	Starting Current	95.3 A
Service Factor (S.F.)	1.15		No-load Current	7.9 A	
NEMA Nom. Eff.	91	Power Factor	70	Line-line Res. @ 25°C	0.66 Ω
Rating - Duty	40C AMB-CONT		Temp. Rise @ Rated Load	45°C	
S.F. Amps			Temp. Rise @ S.F. Load	54°C	
			Locked-rotor Power Factor	24	
			Rotor inertia	4.5 LB-FT ²	

Load Characteristics 460 V, 60 Hz, 10 HP

% of Rated Load	25	50	75	100	125	150	S.F.
Power Factor	32	52	63	70	72	73	71
Efficiency	83.7	89.8	91.4	91.6	91.1	90.3	91.3
Speed	1196	1191	1186	1182	1176	1169	1178
Line amperes	8.74	10.1	12.2	14.7	17.7	21	16.5

Performance Graph at 460V, 60Hz, 10.0HP Typical performance - Not guaranteed values



AC Induction Motor Performance Data

Record # 31472

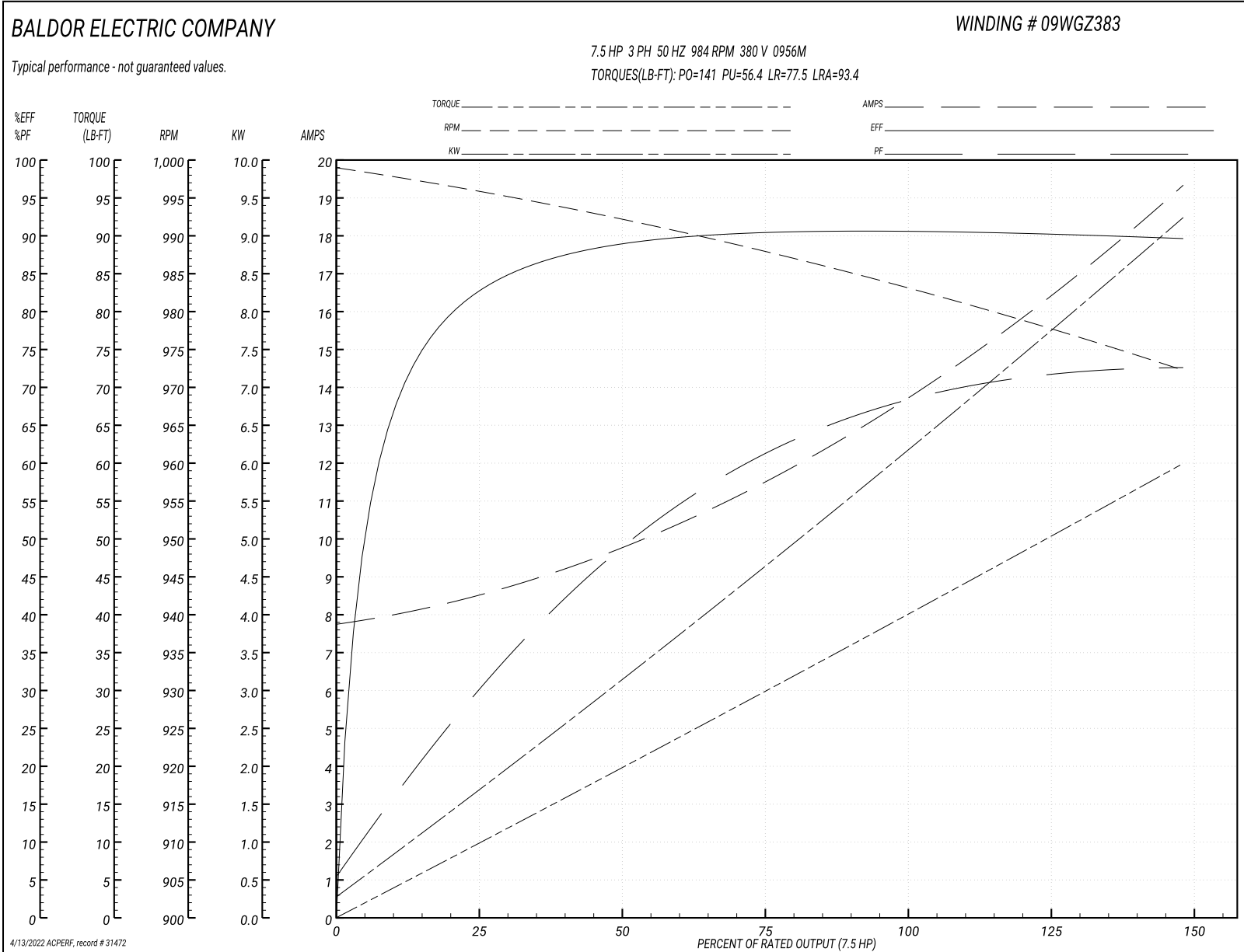
Typical performance - not guaranteed values

Winding: 09WGZ383-R005		Type: 0956M		Enclosure: XPFC	
Nameplate Data			380 V, 50 Hz: High Voltage Connection		
Rated Output (HP)	10//7.5		Full Load Torque	40 LB-FT	
Volts	230/460//190/380		Start Configuration	direct on line	
Full Load Amps	29.2/14.6//27.4/13.7		Breakdown Torque	141 LB-FT	
R.P.M.	1180//980		Pull-up Torque	56.4 LB-FT	
Hz	60//50	Phase	3	Locked-rotor Torque	77.5 LB-FT
NEMA Design Code	B	KVA Code	J	Starting Current	93.4 A
Service Factor (S.F.)	1.15		No-load Current	7.77 A	
NEMA Nom. Eff.	91	Power Factor	70	Line-line Res. @ 25°C	0.66 Ω
Rating - Duty	40C AMB-CONT		Temp. Rise @ Rated Load	40°C	
S.F. Amps			Temp. Rise @ S.F. Load	48°C	
			Locked-rotor Power Factor	27	
			Rotor inertia	4.5 LB-FT ²	

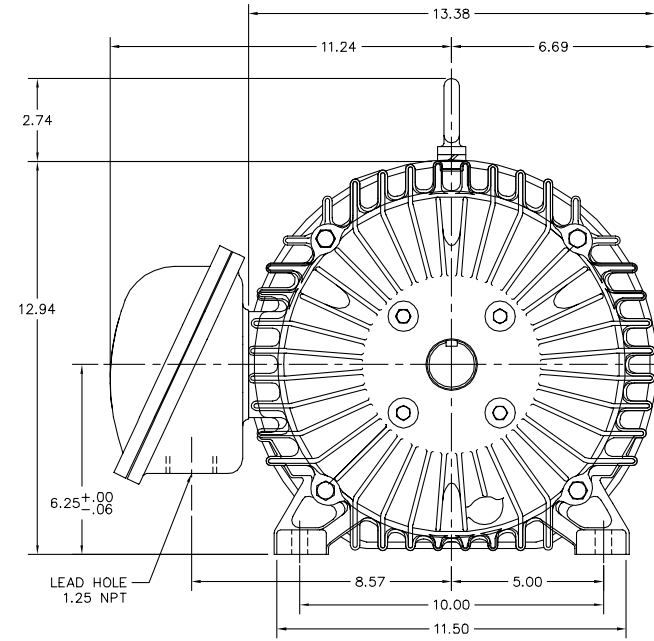
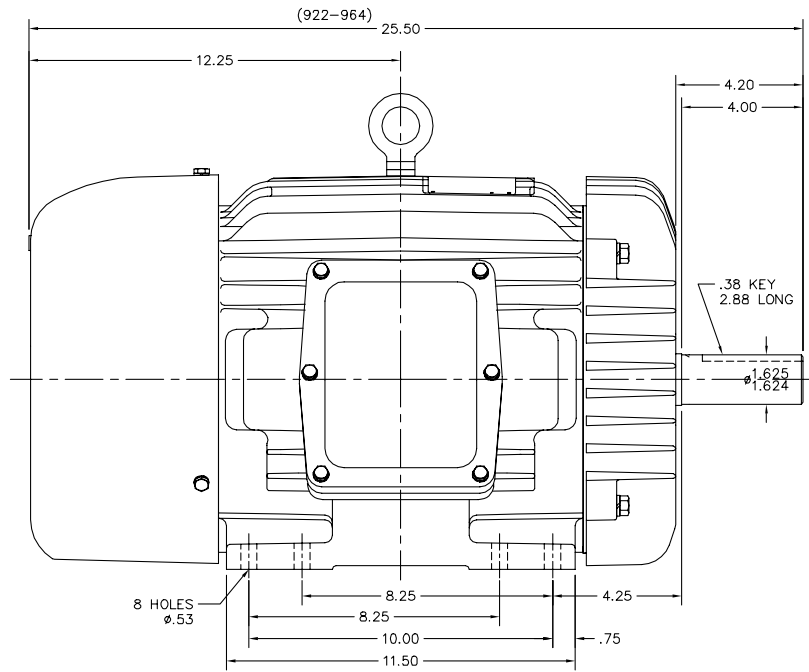
Load Characteristics 380 V, 50 Hz, 7.5 HP

% of Rated Load	25	50	75	100	125	150	S.F.
Power Factor	31	50	61	68	71	73	70
Efficiency	82.1	88.8	90.4	90.8	90.4	89.5	90.6
Speed	996	992	987	984	978	972	980
Line amperes	8.54	9.72	11.6	13.7	16.4	19.3	15.3

Performance Graph at 380V, 50Hz, 7.5HP Typical performance - Not guaranteed values



09LYE270



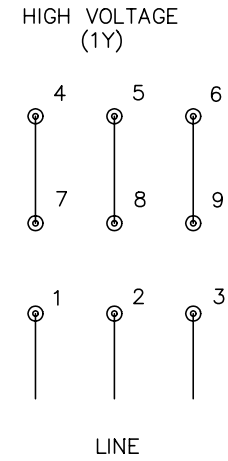
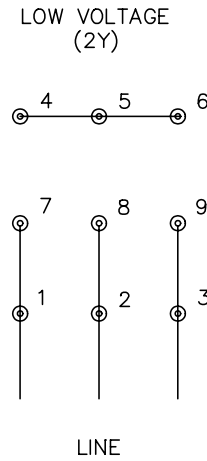
09LYE270

CUSTOMER IS RESPONSIBLE FOR DETERMINING THAT THE PRODUCT WILL PERFORM SUITABLY IN THE INTENDED APPLICATION.

REV. DESC: REPLACE RB1062A02 W/RB062A04		
REV. LTR: J	VERSION: 06	TDR: 000001182213
FILE: \AAA\00000\626	REVISED: 01:48:53 12/01/2021	BY: USSTBUR3
MTL: -		

BALDOR - RELIANCE[®]
 HORZ XPFC 254-6T CL.I GP.D,CL.II GP.F&G
 SH 1 of 1

CD0005



- NOTES:
1. INTERCHANGE ANY TWO LINE LEADS TO REVERSE ROTATION.
 2. OPTIONAL THERMOSTATS ARE PROVIDED WHEN SPECIFIED.
 3. ACTUAL NUMBER OF INTERNAL PARALLEL CIRCUITS MAY BE A MULTIPLE OF THOSE SHOWN ABOVE.
 4. LEAD COLORS ARE OPTIONAL. LEADS MUST ALWAYS BE NUMBERED AS SHOWN.

REV. DESC: REVISE TO SHOW OPTIONAL COLORS			
REV. LTR: E	BY: JLP	REVISED: 01/19/99 10:15	TDR: 0171435
900000		FILE: AAA00005140	MDL: -
		MTL: -	

BALDOR ELECTRIC Co.

3PH, DV, 9 LEADS

CD0005

Marketing maintained PDF of MN416:

<http://www.baldor.com/support/Literature/Load.ashx/MN416?ManNumber=MN416>