

**BALDOR® • RELIANCE** 

**Product Information Packet**

**XM2522T**

**50M 2P XPFC HOR 256T T'STATS INV DUTY**

Part Detail							
Revision:	F	Status:	PRD/A	Change #:		Proprietary:	No
Type:	AC	Elec. Spec:	09WGZ651	CD Diagram:	CD0180	Mfg Plant:	
Mech. Spec:	09E270	Layout:	09LYE270	Poles:	02	Created Date:	03-27-2019
Base:	RG	Eff. Date:	12-08-2021	Leads:	9#10		

Specs			
Catalog Number:	XM25222T	Feedback Device:	NO FEEDBACK
Enclosure:	XPFC	Front Shaft Indicator:	None
Frame:	256T	Heater Indicator:	No Heater
Frame Material:	Iron	Insulation Class:	F
Output @ Frequency:	15.000 HP @ 50 HZ	Inverter Code:	Inverter Duty
	20.000 HP @ 60 HZ	IP Rating:	NONE
Synchronous Speed @ Frequency:	3600 RPM @ 60 HZ	KVA Code:	H
Voltage @ Frequency:	380.0 V @ 50 HZ	Lifting Lugs:	Standard Lifting Lugs
	230.0 V @ 60 HZ	Locked Bearing Indicator:	Locked Bearing
	190.0 V @ 50 HZ	Motor Lead Quantity/Wire Size:	9 @ 10 AWG
	460.0 V @ 60 HZ	Motor Lead Termination:	Flying Leads
XP Class and Group:	CLI GP D; CLII GP F,G	Motor Type:	X0950M
XP Division:	Division I	Mounting Arrangement:	F1
Agency Approvals:	UR	Power Factor:	91
	CSA EEV	Product Family:	Hazardous Location Motor
	CSA	Pulley End Bearing Type:	Ball
Auxillary Box:	No Auxillary Box	Pulley Face Code:	Standard
Auxillary Box Lead Termination:	None	Pulley Shaft Indicator:	None

Product Information Packet: XM25222T - 50M 2P XPFC HOR 256T T'STATS INV DUTY

<b>Base Indicator:</b>	Rigid	<b>Rodent Screen:</b>	None
<b>Bearing Grease Type:</b>	Polyrex EM (-20F +300F)	<b>RoHS Status:</b>	ROHS NON-COMPLIANT
<b>Blower:</b>	None	<b>Shaft Ground Indicator:</b>	No Shaft Grounding
<b>Constant Torque Speed Range:</b>	30	<b>Shaft Rotation:</b>	Reversible
<b>Current @ Voltage:</b>	48.000 A @ 208.0 V	<b>Shaft Slinger Indicator:</b>	No Slinger
	44.000 A @ 230.0 V	<b>Speed Code:</b>	Single Speed
	40.000 A @ 190.0 V	<b>Motor Standards:</b>	NEMA
	22.000 A @ 460.0 V	<b>Starting Method:</b>	Direct on line
	20.000 A @ 380.0 V	<b>Thermal Device - Bearing:</b>	None
<b>Design Code:</b>	A	<b>Thermal Device - Winding:</b>	Normally Closed Thermostat
<b>Drip Cover:</b>	No Drip Cover	<b>Vibration Sensor Indicator:</b>	No Vibration Sensor
<b>Duty Rating:</b>	CONT	<b>Winding Thermal 1:</b>	None
<b>Electrically Isolated Bearing:</b>	Not Electrically Isolated	<b>Winding Thermal 2:</b>	None
		<b>XP Temp Code:</b>	T3C

<b>Nameplate NP0887XPSLEV</b>									
<b>NO.</b>					<b>CC</b>	010A			
<b>S/N</b>					<b>TEMP CODE</b>	T3C			
<b>SPEC.</b>	09E270Z651G1				<b>INV.TYPE</b>	PWM			
<b>CAT.NO.</b>	XM25222T				<b>C HP FR</b>	60		<b>C HP TO</b>	90
<b>HP</b>	20//15				<b>CT HZ FROM</b>	30		<b>CT HZ TO</b>	60
<b>VOLTS</b>	230/460//190/380				<b>VT HZ FROM</b>	6		<b>VT HZ TO</b>	60
<b>AMPS</b>	44/22//40/20				<b>MAG CUR</b>	11.6/5.8			
<b>RPM</b>	3530//2930				<b>MX RPM</b>	5400			
<b>HZ</b>	60//50		<b>PH</b>	3	<b>CL</b>	F			
<b>SER.F.</b>	1.15		<b>DES</b>	A	<b>SL HZ</b>	1.2		<b>NOM.EFF.</b>	91
<b>FRAME</b>	256T		<b>RATING</b>	40C AMB-CONT				<b>WK2</b>	1.28
55C AMB @1.0SF ON VFD,60C RISE									
NEMA MG-1 PT.5,IP54									

Parts List		
Part Number	Description	Quantity
SA367753	SA 09E270Z651G1	1.000 EA
RA357231	RA 09E270Z651G1	1.000 EA
37FN3002C02	EXFN, PLASTIC, 6.00 OD, 1.503 ID	1.000 EA
MJ5000A09	EFI KIT #1578 (400 ML CARTRIDGE OF EFI)	0.031 EA
09CB1000A57	CONDUIT BOX, MACH	1.000 EA
10XN3118K16	5/16-18 X 1' GRADE #5, STL, ZINC PLATE	4.000 EA
HW1001A31	LOCKWASHER 5/16, ZINC PLT.591 OD, .319 I	4.000 EA
WD1000B25	GND LUG, BURNDY L125HP OR T&B L125HP-BB	1.000 EA
19XW3118G08	.31-18X.50,HEX WSHR HD,TAPTITE 2,GREEN	1.000 EA
HW1001A25	LOCKWASHER 1/4, ZINC PLT .493 OD, .255 I	1.000 EA
09EP1700A01	FR ENDPLATE, MACH	1.000 EA
10XN3816K28	3/8-16 X 1.75 HEX HD CAP SCREW, GRADE 5	4.000 EA
HW1001A38	LOCKWASHER 3/8, ZINC PLT .688 OD, .382 I	4.000 EA
HW5100A08	W3118-035 WVY WSHR (WB)	1.000 EA
HA2002A05	SPACER, #208 BRG	1.000 EA
10XN2520K36	1/4-20 X 2.25" HX HD SCRWGRADE 5, ZINC P	4.000 EA
09EP1707A01	PU ENDPLATE, MACH	1.000 EA
10XN3816K28	3/8-16 X 1.75 HEX HD CAP SCREW, GRADE 5	4.000 EA
HW1001A38	LOCKWASHER 3/8, ZINC PLT .688 OD, .382 I	4.000 EA
09FH1004A01	FAN COVER, MACH	1.000 EA
10XN2520K14	1/4-20 X .88 HEX GRD 5 (20001)	3.000 EA
HW1001A25	LOCKWASHER 1/4, ZINC PLT .493 OD, .255 I	3.000 EA
09CB1500A01SP	CONDUIT BOX LID, MACH	1.000 EA
10XN2520K16	1/4-20 X 1" HX HD SCRW GRADE 5, ZINC P	6.000 EA

<b>Parts List (continued)</b>		
<b>Part Number</b>	<b>Description</b>	<b>Quantity</b>
HW1001A25	LOCKWASHER 1/4, ZINC PLT .493 OD, .255 I	6.000 EA
HW2501G25	KEY, 3/8 SQ X 2.875	1.000 EA
LB1115N	LABEL,LIFTING DEVICE (ON ROLLS)	1.000 EA
LB1073	ALUM XP CAUTION LABEL	1.000 EA
MJ5001A27	32220KN GRAY SEALER *MIN BUY 4 QTS=1GAL	0.001 QT
HW4500A20	1/8NPT SL PIPE PLUG	2.000 EA
MJ1000A02	GREASE, MOBIL POLYREX EM - 124047	0.080 LB
HW4500A20	1/8NPT SL PIPE PLUG	2.000 EA
HW2500A25	WOODRUFF KEY USA #1008 #BLOW CARBON STEE	1.000 EA
MG1025G29	WILKOFASST, 789.229, DARK CHARCOAL GRAY	0.050 GA
85XU0407S04	4X1/4 U DRIVE PIN STAINLESS	6.000 EA
LB1119N	WARNING LABEL	1.000 EA
LC0181	CONNECTION LABEL	1.000 EA
NP0887XPSLEV	SS XP INV UL CSA-EEV CC CL-I GP-D	1.000 EA
40PA1005	PACKAGING GROUP, 09 STD	1.000 EA
MN416A01	TAG-INSTAL-MAINT no wire (2100/bx) 4/22	1.000 EA
LD7020E09	LEAD SET, 10AWG, 9 LEAD, 20" LONG LEADS	1.000 EA

**AC Induction Motor Performance Data**

Record # 54030

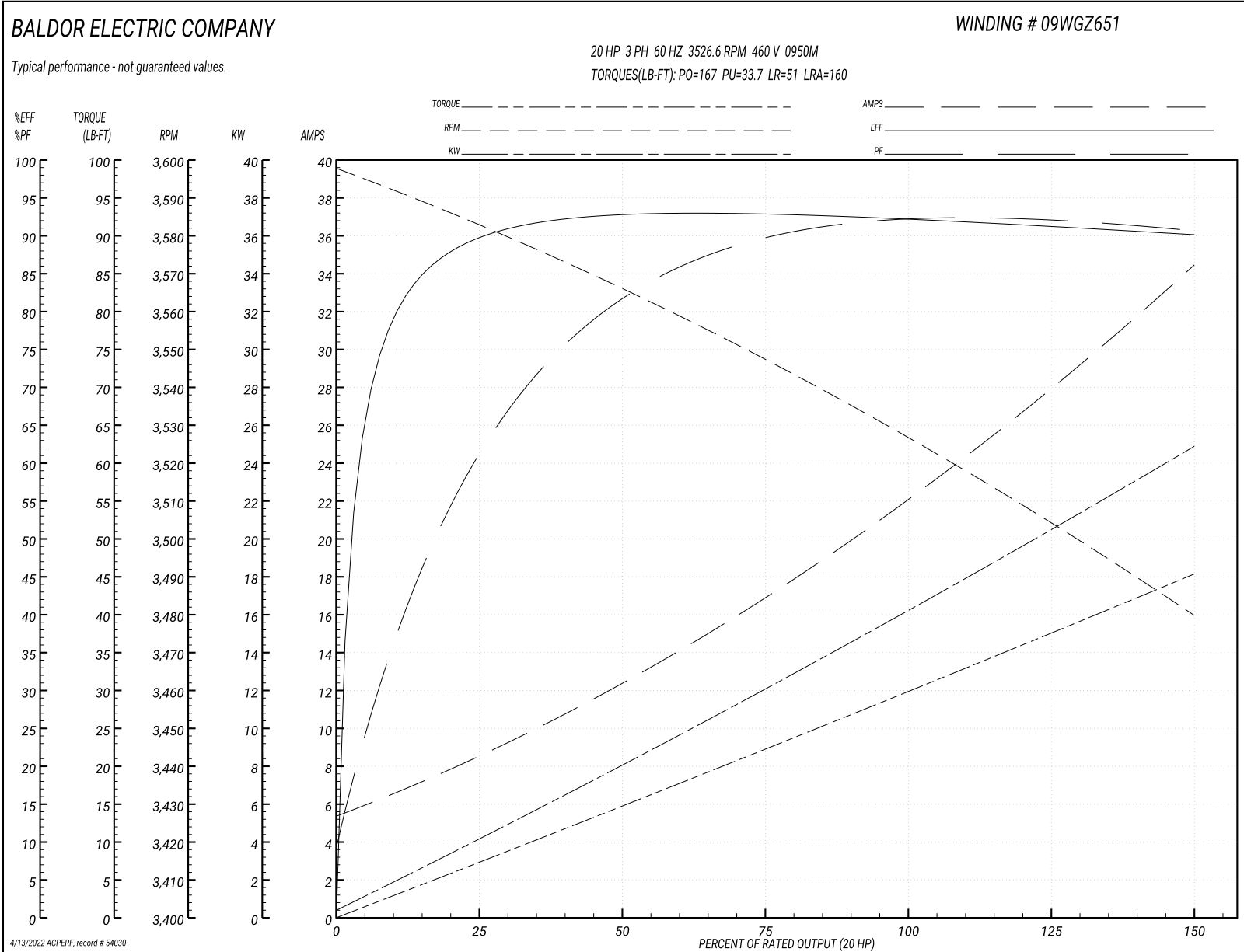
Typical performance - not guaranteed values

Winding: 09WGZ651-R015			Type: 0950M			Enclosure: XPFC		
<b>Nameplate Data</b>						<b>460 V, 60 Hz: High Voltage Connection</b>		
Rated Output (HP)	20//15		Full Load Torque	30 LB-FT				
Volts	230/460//190/380		Start Configuration	direct on line				
Full Load Amps	44/22//40/20		Breakdown Torque	167 LB-FT				
R.P.M.	3530//2930		Pull-up Torque	33.7 LB-FT				
Hz	60//50 Phase	3	Locked-rotor Torque	51 LB-FT				
NEMA Design Code	A	KVA Code	H	Starting Current	160 A			
Service Factor (S.F.)	1.15		No-load Current	5.75 A				
NEMA Nom. Eff.	91	Power Factor	91	Line-line Res. @ 25°C	0.43337 Ω			
Rating - Duty	40C AMB-CONT		Temp. Rise @ Rated Load	58°C				
S.F. Amps			Temp. Rise @ S.F. Load	72°C				

**Load Characteristics 460 V, 60 Hz, 20 HP**

% of Rated Load	25	50	75	100	125	150	S.F.
Power Factor	65	83	89	91	91	91	91
Efficiency	89.4	92.7	92.9	92.4	91.4	90.1	91.8
Speed	3580.7	3566.7	3547.3	3526.6	3504.5	3479.4	3513
Line amperes	8.04	12.2	17.1	22.4	28.2	34.2	25.9

Performance Graph at 460V, 60Hz, 20.0HP Typical performance - Not guaranteed values





**AC Induction Motor Performance Data**

Record # 54031

Typical performance - not guaranteed values

<b>Winding: 09WGZ651-R015</b>		<b>Type: 0950M</b>		<b>Enclosure: XPFC</b>	
<b>Nameplate Data</b>			<b>380 V, 50 Hz: High Voltage Connection</b>		
<b>Rated Output (HP)</b>	20//15		<b>Full Load Torque</b>	27 LB-FT	
<b>Volts</b>	230/460//190/380		<b>Start Configuration</b>	direct on line	
<b>Full Load Amps</b>	44/22//40/20		<b>Breakdown Torque</b>	160 LB-FT	
<b>R.P.M.</b>	3530//2930		<b>Pull-up Torque</b>	35.6 LB-FT	
<b>Hz</b>	60//50	<b>Phase</b>	3	<b>Locked-rotor Torque</b>	53.9 LB-FT
<b>NEMA Design Code</b>	A	<b>KVA Code</b>	H	<b>Starting Current</b>	156 A
<b>Service Factor (S.F.)</b>	1.15		<b>No-load Current</b>	5.7 A	
<b>NEMA Nom. Eff.</b>	91	<b>Power Factor</b>	91	<b>Line-line Res. @ 25°C</b>	0.41 Ω
<b>Rating - Duty</b>	40C AMB-CONT		<b>Temp. Rise @ Rated Load</b>	51°C	
<b>S.F. Amps</b>			<b>Temp. Rise @ S.F. Load</b>	64°C	
			<b>Locked-rotor Power Factor</b>	31.3	
			<b>Rotor inertia</b>	1.28 LB-FT <sup>2</sup>	

**Load Characteristics 380 V, 50 Hz, 15 HP**

<b>% of Rated Load</b>	<b>25</b>	<b>50</b>	<b>75</b>	<b>100</b>	<b>125</b>	<b>150</b>	<b>S.F.</b>
<b>Power Factor</b>	63	82	88	91	91	92	91
<b>Efficiency</b>	86.8	91.6	91.6	91.2	90.3	89.1	90.6
<b>Speed</b>	2982	2969	2952	2933	2914	2891	2922
<b>Line amperes</b>	7.7	11.5	15.8	20.6	25.9	31.3	23.8

Performance Graph at 380V, 50Hz, 15.0HP Typical performance - Not guaranteed values

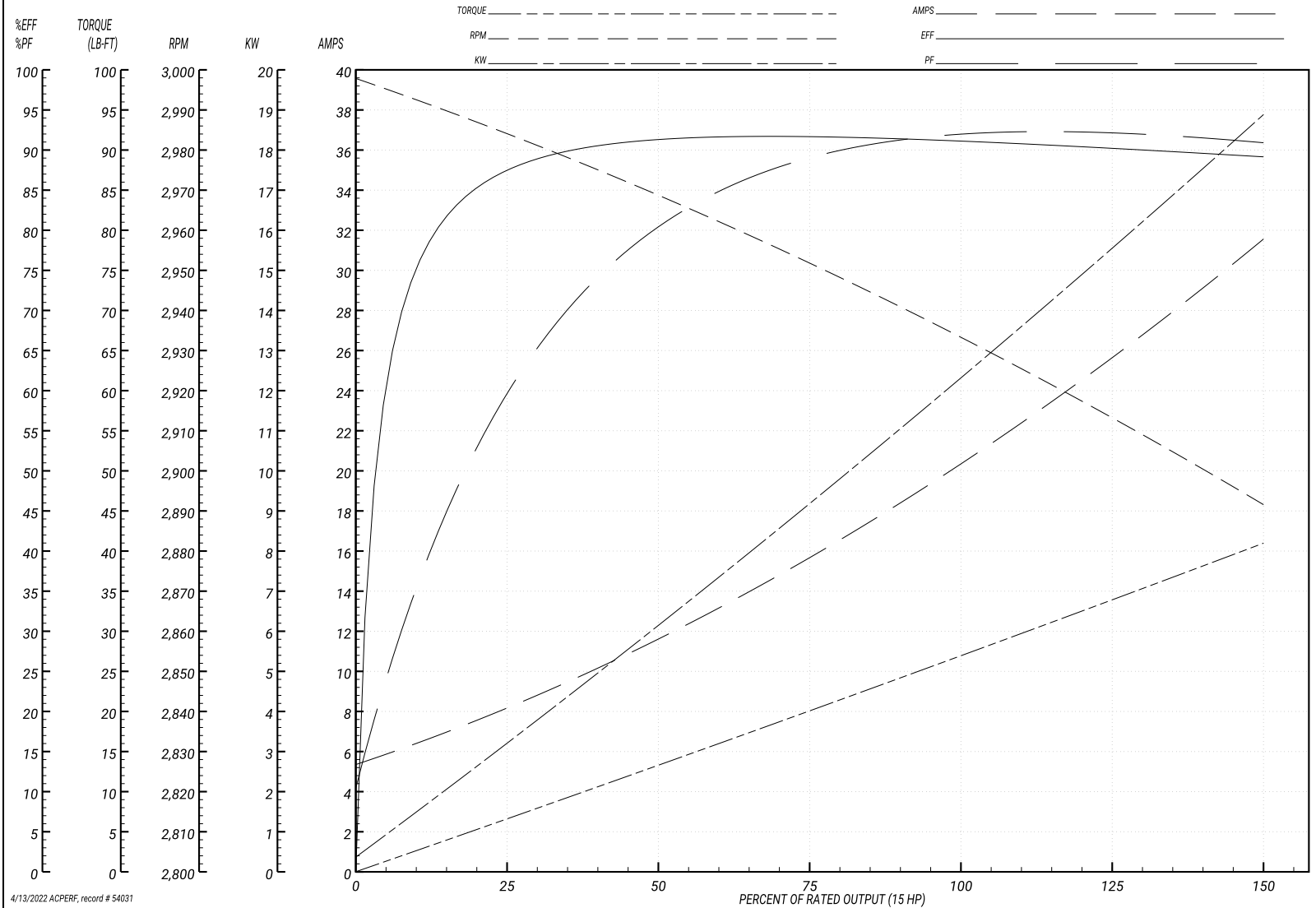
**BALDOR ELECTRIC COMPANY**

WINDING # 09WGZ651

Typical performance - not guaranteed values.

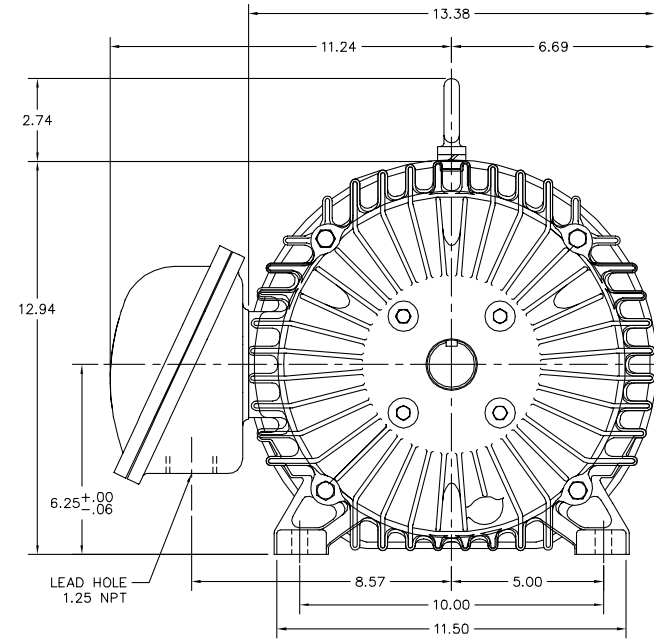
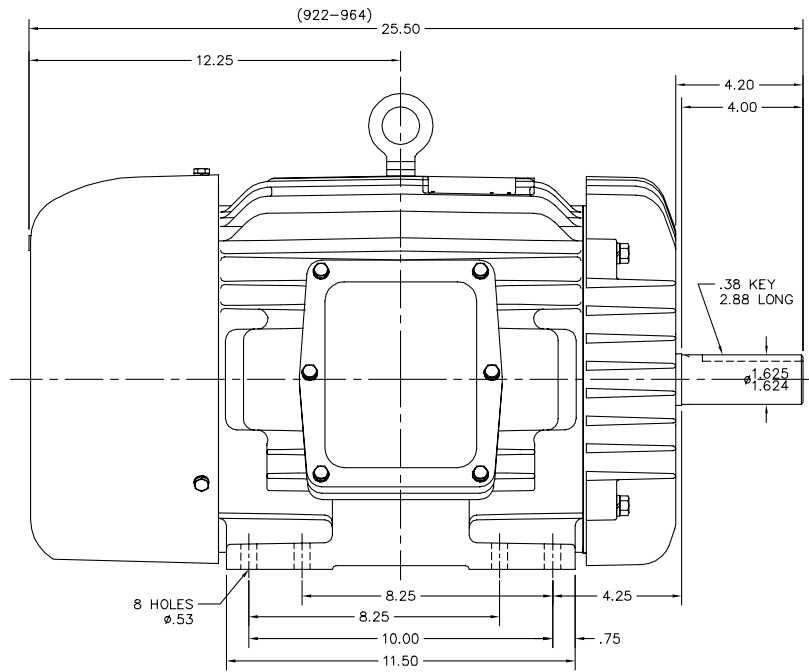
15 HP 3 PH 50 HZ 2933 RPM 380 V 0950M

TORQUES(LB-FT): PO=160 PU=35.6 LR=53.9 LRA=156



4/13/2022 ACPERF, record # 54031

09LYE270



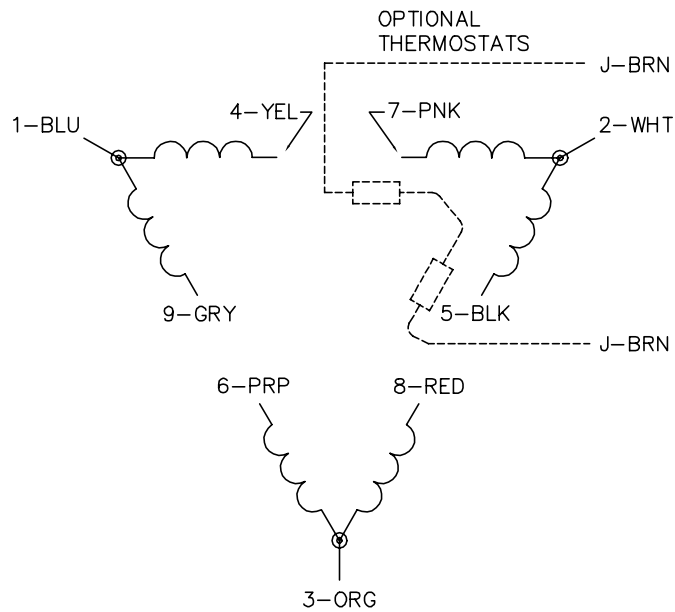
09LYE270

CUSTOMER IS RESPONSIBLE FOR DETERMINING THAT THE PRODUCT WILL PERFORM SUITABLY IN THE INTENDED APPLICATION.

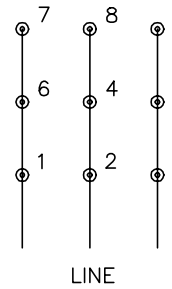
REV. DESC: REPLACE RB1062A02 W/RB062A04		
REV. LTR: J	VERSION: 06	TDR: 000001182213
FILE: \AAA\00000\626	REVISED: 01:48:53 12/01/2021	BY: USSTBUR3
MTL: -		

**BALDOR - RELIANCE**<sup>®</sup>  
 HORZ XPFC 254-6T CL.I GP.D,CL.II GP.F&G  
 SH 1 of 1

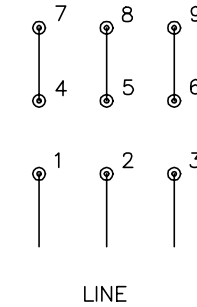
CD0180



LOW VOLTAGE  
(2D)



HIGH VOLTAGE  
(1D)



NOTES:

1. INTERCHANGE ANY TWO LINE LEADS TO REVERSE ROTATION.
2. OPTIONAL THERMOSTATS ARE PROVIDED WHEN SPECIFIED.
3. ACTUAL NUMBER OF INTERNAL PARALLEL CIRCUITS MAY BE A MULTIPLE OF THOSE SHOWN ABOVE.
4. LEAD COLORS ARE OPTIONAL. LEADS MUST ALWAYS BE NUMBERED AS SHOWN.

CD0180

REV. DESC: ADD CLASS CONN00000007		
REV. LTR: D	VERSION: 01	TDR: 000001099922
FILE: \AAA\00005\148	REVISED: 10:25:29 02/19/2019	BY: ENBRIRO
MTL: -	© □	

**BALDOR - RELIANCE®**

3PH, DV, 9 LEADS, DELTA CONNECTION

SH 1 of 1

Marketing maintained PDF of MN416:

<http://www.baldor.com/support/Literature/Load.ashx/MN416?ManNumber=MN416>