

**BALDOR® • RELIANCE** 

**Product Information Packet**

**XM25242T**

**60M 4P XPFC HOR 256T T'STATS INV DUTY**

Part Detail							
Revision:	G	Status:	PRD/A	Change #:		Proprietary:	No
Type:	AC	Elec. Spec:	09WGT459	CD Diagram:	CD0180	Mfg Plant:	
Mech. Spec:	09E270	Layout:	09LYE270	Poles:	04	Created Date:	03-27-2019
Base:	RG	Eff. Date:	12-08-2021	Leads:	9#10		

Specs			
Catalog Number:	XM25242T	Feedback Device:	NO FEEDBACK
Enclosure:	XPFC	Front Shaft Indicator:	None
Frame:	256T	Heater Indicator:	No Heater
Frame Material:	Iron	Insulation Class:	F
Output @ Frequency:	15.000 HP @ 50 HZ	Inverter Code:	Inverter Duty
	20.000 HP @ 60 HZ	IP Rating:	NONE
Synchronous Speed @ Frequency:	1800 RPM @ 60 HZ	KVA Code:	J
Voltage @ Frequency:	380.0 V @ 50 HZ	Lifting Lugs:	Standard Lifting Lugs
	230.0 V @ 60 HZ	Locked Bearing Indicator:	Locked Bearing
	190.0 V @ 50 HZ	Motor Lead Quantity/Wire Size:	9 @ 10 AWG
	460.0 V @ 60 HZ	Motor Lead Termination:	Flying Leads
XP Class and Group:	CLI GP D; CLII GP F,G	Motor Type:	X0960M
XP Division:	Division I	Mounting Arrangement:	F1
Agency Approvals:	UR	Power Factor:	83
	CSA EEV	Product Family:	Hazardous Location Motor
	CSA	Pulley End Bearing Type:	Ball
Auxillary Box:	No Auxillary Box	Pulley Face Code:	Standard
Auxillary Box Lead Termination:	None	Pulley Shaft Indicator:	None

<b>Base Indicator:</b>	Rigid	<b>Rodent Screen:</b>	None
<b>Bearing Grease Type:</b>	Polyrex EM (-20F +300F)	<b>RoHS Status:</b>	ROHS NON-COMPLIANT
<b>Blower:</b>	None	<b>Shaft Ground Indicator:</b>	No Shaft Grounding
<b>Constant Torque Speed Range:</b>	6	<b>Shaft Rotation:</b>	Reversible
<b>Current @ Voltage:</b>	52.000 A @ 208.0 V	<b>Shaft Slinger Indicator:</b>	No Slinger
	48.000 A @ 230.0 V	<b>Speed Code:</b>	Single Speed
	44.000 A @ 190.0 V	<b>Motor Standards:</b>	NEMA
	24.000 A @ 460.0 V	<b>Starting Method:</b>	Direct on line
	22.000 A @ 380.0 V	<b>Thermal Device - Bearing:</b>	None
<b>Design Code:</b>	A	<b>Thermal Device - Winding:</b>	Normally Closed Thermostat
<b>Drip Cover:</b>	No Drip Cover	<b>Vibration Sensor Indicator:</b>	No Vibration Sensor
<b>Duty Rating:</b>	CONT	<b>Winding Thermal 1:</b>	None
<b>Electrically Isolated Bearing:</b>	Not Electrically Isolated	<b>Winding Thermal 2:</b>	None
		<b>XP Temp Code:</b>	T3C

<b>Nameplate NP0887XPSLEV</b>									
<b>NO.</b>					<b>CC</b>	010A			
<b>S/N</b>					<b>TEMP CODE</b>	T3C			
<b>SPEC.</b>	09E270T459G3				<b>INV.TYPE</b>	PWM			
<b>CAT.NO.</b>	XM25242T				<b>C HP FR</b>	60		<b>C HP TO</b>	90
<b>HP</b>	20//15				<b>CT HZ FROM</b>	6		<b>CT HZ TO</b>	60
<b>VOLTS</b>	230/460//190/380				<b>VT HZ FROM</b>	6		<b>VT HZ TO</b>	60
<b>AMPS</b>	48/24//44/22				<b>MAG CUR</b>				
<b>RPM</b>	1770//1470				<b>MX RPM</b>	2700			
<b>HZ</b>	60//50		<b>PH</b>	3	<b>CL</b>	F			
<b>SER.F.</b>	1.15		<b>DES</b>	A	<b>SL HZ</b>	1		<b>NOM.EFF.</b>	93
<b>FRAME</b>	256T		<b>RATING</b>	40C AMB-CONT				<b>WK2</b>	2.62
55C AMB @1.0SF ON VFD,60C RISE									
NEMA MG-1 PT.5,IP54									

Parts List		
Part Number	Description	Quantity
SA367754	SA 09E270T459G3	1.000 EA
RA357233	RA 09E270T459G3	1.000 EA
09FN3001D01SP	EXTERNAL FAN, PLASTIC (COMES W/SCREW FRO	1.000 EA
MJ5000A09	EFI KIT #1578 (400 ML CARTRIDGE OF EFI	0.031 EA
09CB1000A57	CONDUIT BOX, MACH	1.000 EA
10XN3118K16	5/16-18 X 1' GRADE #5, STL, ZINC PLATE	4.000 EA
HW1001A31	LOCKWASHER 5/16, ZINC PLT.591 OD, .319 I	4.000 EA
WD1000B25	GND LUG, BURNDY L125HP OR T&B L125HP-BB	1.000 EA
19XW3118G08	.31-18X.50,HEX WSHR HD,TAPTITE 2,GREEN	1.000 EA
HW1001A25	LOCKWASHER 1/4, ZINC PLT .493 OD, .255 I	1.000 EA
09EP1700A01	FR ENDPLATE, MACH	1.000 EA
10XN3816K28	3/8-16 X 1.75 HEX HD CAP SCREW, GRADE 5	4.000 EA
HW1001A38	LOCKWASHER 3/8, ZINC PLT .688 OD, .382 I	4.000 EA
HW5100A08	W3118-035 WVY WSHR (WB)	1.000 EA
HA2002A05	SPACER, #208 BRG	1.000 EA
10XN2520K36	1/4-20 X 2.25" HX HD SCRWGRADE 5, ZINC P	4.000 EA
09EP1707A01	PU ENDPLATE, MACH	1.000 EA
10XN3816K28	3/8-16 X 1.75 HEX HD CAP SCREW, GRADE 5	4.000 EA
HW1001A38	LOCKWASHER 3/8, ZINC PLT .688 OD, .382 I	4.000 EA
09FH1004A01	FAN COVER, MACH	1.000 EA
10XN2520K14	1/4-20 X .88 HEX GRD 5 (20001)	3.000 EA
HW1001A25	LOCKWASHER 1/4, ZINC PLT .493 OD, .255 I	3.000 EA
09CB1500A01SP	CONDUIT BOX LID, MACH	1.000 EA
10XN2520K16	1/4-20 X 1" HX HD SCRW GRADE 5, ZINC P	6.000 EA

Parts List (continued)		
Part Number	Description	Quantity
HW1001A25	LOCKWASHER 1/4, ZINC PLT .493 OD, .255 I	6.000 EA
HW2501G25	KEY, 3/8 SQ X 2.875	1.000 EA
LB1115N	LABEL,LIFTING DEVICE (ON ROLLS)	1.000 EA
LB1073	ALUM XP CAUTION LABEL	1.000 EA
MJ5001A27	32220KN GRAY SEALER *MIN BUY 4 QTS=1GAL	0.001 QT
HW4500A20	1/8NPT SL PIPE PLUG	2.000 EA
MJ1000A02	GREASE, MOBIL POLYREX EM - 124047	0.080 LB
HW4500A20	1/8NPT SL PIPE PLUG	2.000 EA
HW2500A25	WOODRUFF KEY USA #1008 #BLOW CARBON STEE	1.000 EA
MG1025G29	WILKOFASST, 789.229, DARK CHARCOAL GRAY	0.050 GA
85XU0407S04	4X1/4 U DRIVE PIN STAINLESS	6.000 EA
LB1119N	WARNING LABEL	1.000 EA
LC0181	CONNECTION LABEL	1.000 EA
NP0887XPSLEV	SS XP INV UL CSA-EEV CC CL-I GP-D	1.000 EA
40PA1005	PACKAGING GROUP, 09 STD	1.000 EA
MN416A01	TAG-INSTAL-MAINT no wire (2100/bx) 4/22	1.000 EA
LD7020E09	LEAD SET, 10AWG, 9 LEAD, 20" LONG LEADS	1.000 EA

**AC Induction Motor Performance Data**

Record # 68069

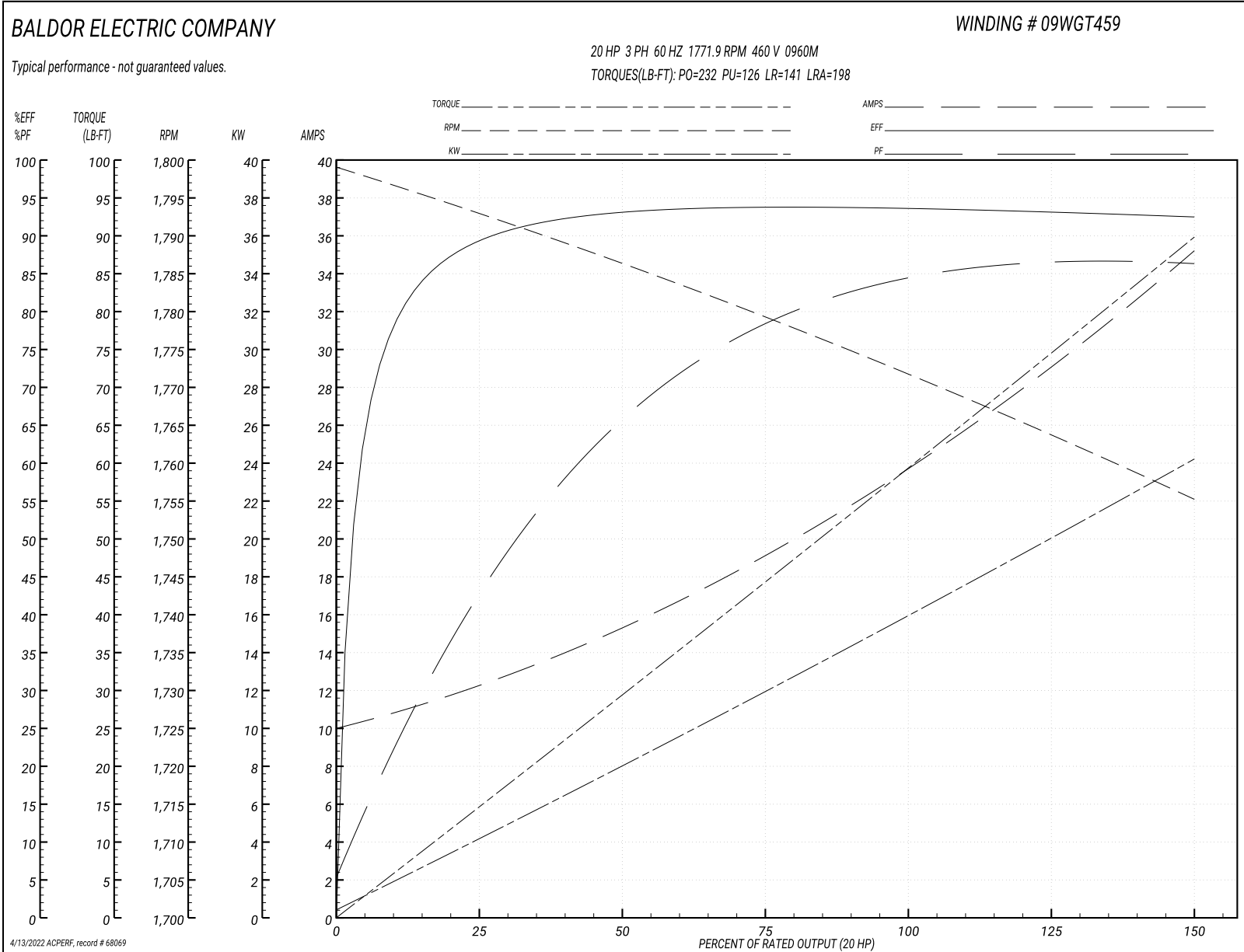
Typical performance - not guaranteed values

<b>Winding: 09WGT459-R010</b>		<b>Type: 0960M</b>		<b>Enclosure: XPFC</b>	
<b>Nameplate Data</b>			<b>460 V, 60 Hz: High Voltage Connection</b>		
<b>Rated Output (HP)</b>	20//15		<b>Full Load Torque</b>	59.27 LB-FT	
<b>Volts</b>	230/460//190/380		<b>Start Configuration</b>	direct on line	
<b>Full Load Amps</b>	48/24//44/22		<b>Breakdown Torque</b>	232 LB-FT	
<b>R.P.M.</b>	1770//1470		<b>Pull-up Torque</b>	126 LB-FT	
<b>Hz</b>	60//50	<b>Phase</b>	3	<b>Locked-rotor Torque</b>	141 LB-FT
<b>NEMA Design Code</b>	A	<b>KVA Code</b>	J	<b>Starting Current</b>	198 A
<b>Service Factor (S.F.)</b>	1.15		<b>No-load Current</b>	10.4 A	
<b>NEMA Nom. Eff.</b>	93	<b>Power Factor</b>	83	<b>Line-line Res. @ 25°C</b>	0.33814 Ω
<b>Rating - Duty</b>	40C AMB-CONT		<b>Temp. Rise @ Rated Load</b>	58°C	
<b>S.F. Amps</b>			<b>Temp. Rise @ S.F. Load</b>	70°C	
			<b>Locked-rotor Power Factor</b>	26.5	

**Load Characteristics 460 V, 60 Hz, 20 HP**

<b>% of Rated Load</b>	<b>25</b>	<b>50</b>	<b>75</b>	<b>100</b>	<b>125</b>	<b>150</b>	<b>S.F.</b>
<b>Power Factor</b>	45	67	78	83	86	87	85
<b>Efficiency</b>	89.2	93	93.7	93.6	93.1	92.4	93.3
<b>Speed</b>	1793.2	1786.4	1779.1	1771.9	1763.7	1755.3	1767
<b>Line amperes</b>	11.8	15	19.2	24	29.3	34.9	27.2

Performance Graph at 460V, 60Hz, 20.0HP Typical performance - Not guaranteed values





**AC Induction Motor Performance Data**

Record # 68070

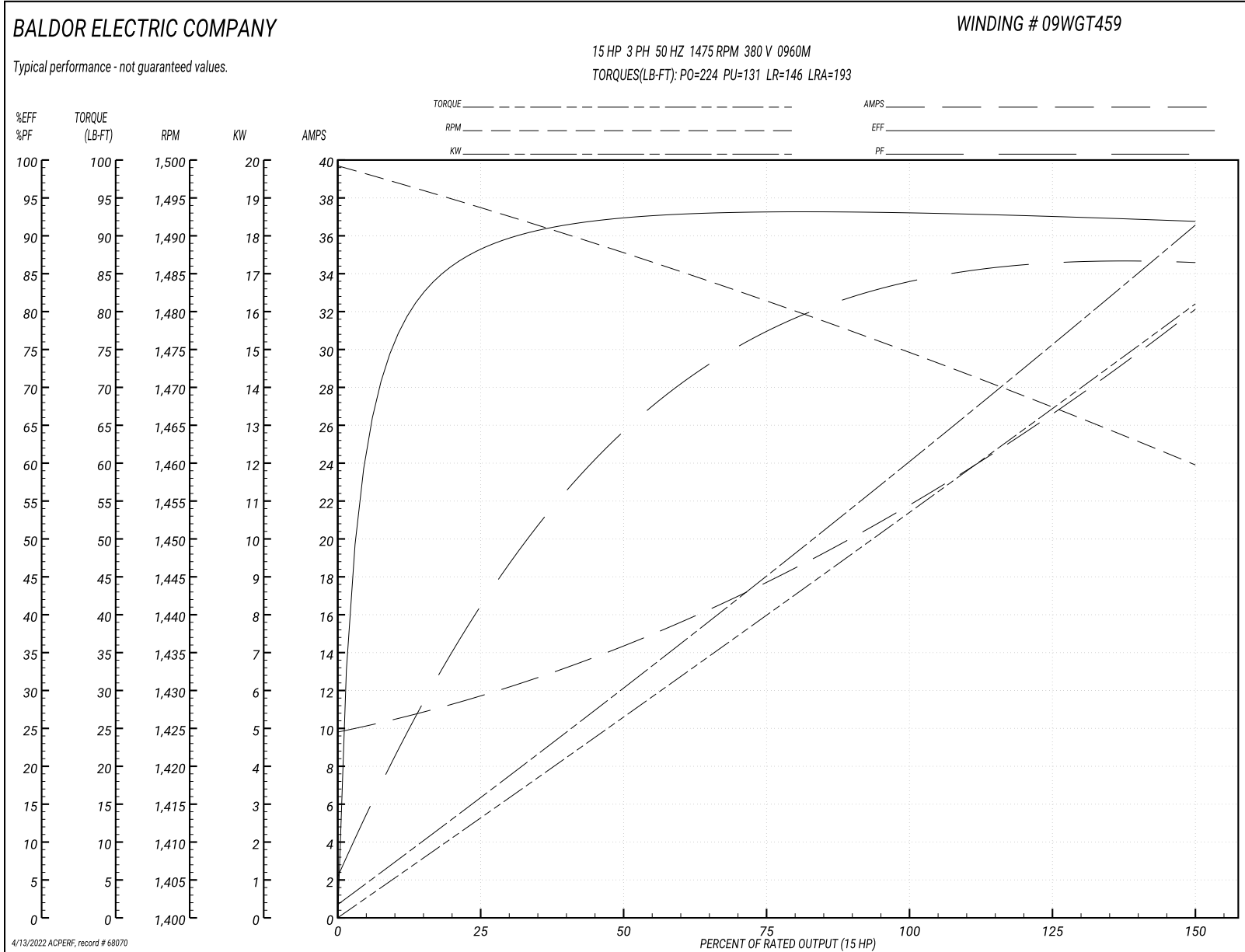
Typical performance - not guaranteed values

<b>Winding: 09WGT459-R010</b>		<b>Type: 0960M</b>		<b>Enclosure: XPFC</b>	
<b>Nameplate Data</b>			<b>380 V, 50 Hz: High Voltage Connection</b>		
<b>Rated Output (HP)</b>	20//15		<b>Full Load Torque</b>	53.45 LB-FT	
<b>Volts</b>	230/460//190/380		<b>Start Configuration</b>	direct on line	
<b>Full Load Amps</b>	48/24//44/22		<b>Breakdown Torque</b>	224 LB-FT	
<b>R.P.M.</b>	1770//1470		<b>Pull-up Torque</b>	131 LB-FT	
<b>Hz</b>	60//50	<b>Phase</b>	3	<b>Locked-rotor Torque</b>	146 LB-FT
<b>NEMA Design Code</b>	A	<b>KVA Code</b>	J	<b>Starting Current</b>	193 A
<b>Service Factor (S.F.)</b>	1.15		<b>No-load Current</b>	10.16 A	
<b>NEMA Nom. Eff.</b>	93	<b>Power Factor</b>	83	<b>Line-line Res. @ 25°C</b>	0.316 Ω
<b>Rating - Duty</b>	40C AMB-CONT		<b>Temp. Rise @ Rated Load</b>	50°C	
<b>S.F. Amps</b>			<b>Temp. Rise @ S.F. Load</b>	61°C	
			<b>Locked-rotor Power Factor</b>	29.3	
			<b>Rotor inertia</b>	2.65 LB-FT <sup>2</sup>	

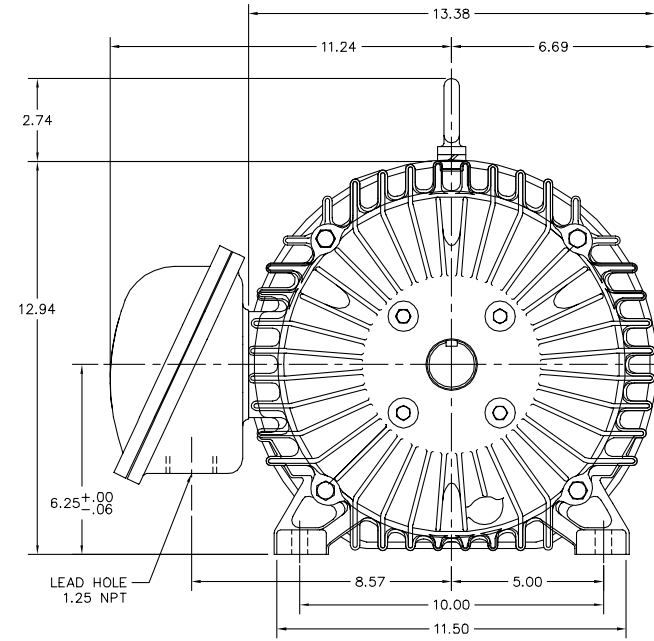
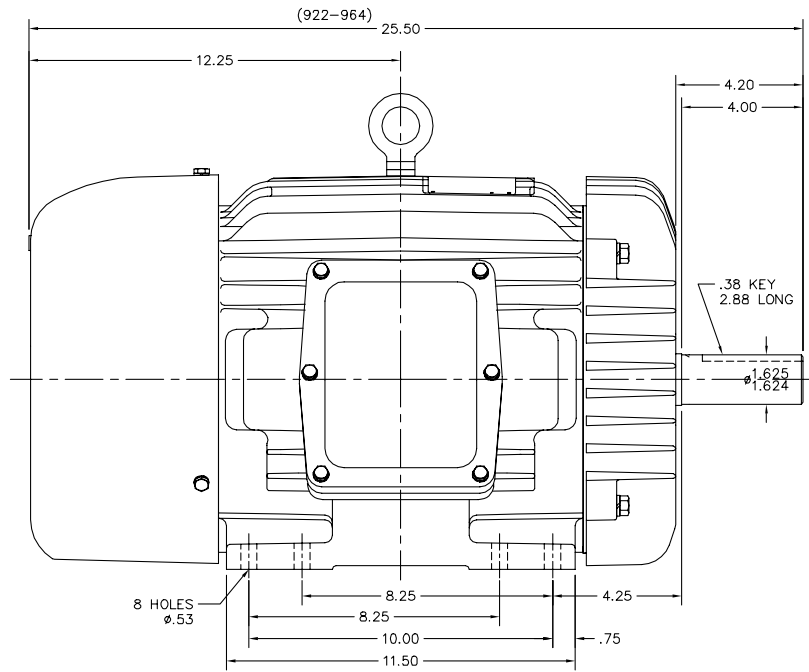
**Load Characteristics 380 V, 50 Hz, 15 HP**

<b>% of Rated Load</b>	<b>25</b>	<b>50</b>	<b>75</b>	<b>100</b>	<b>125</b>	<b>150</b>	<b>S.F.</b>
<b>Power Factor</b>	43	66	77	83	86	87	85
<b>Efficiency</b>	88	92.2	93.1	93.1	92.5	91.8	92.7
<b>Speed</b>	1494	1488	1481	1475	1467	1460	1470
<b>Line amperes</b>	11.32	14.06	17.76	22.07	26.82	31.83	24.9

Performance Graph at 380V, 50Hz, 15.0HP Typical performance - Not guaranteed values



09LYE270



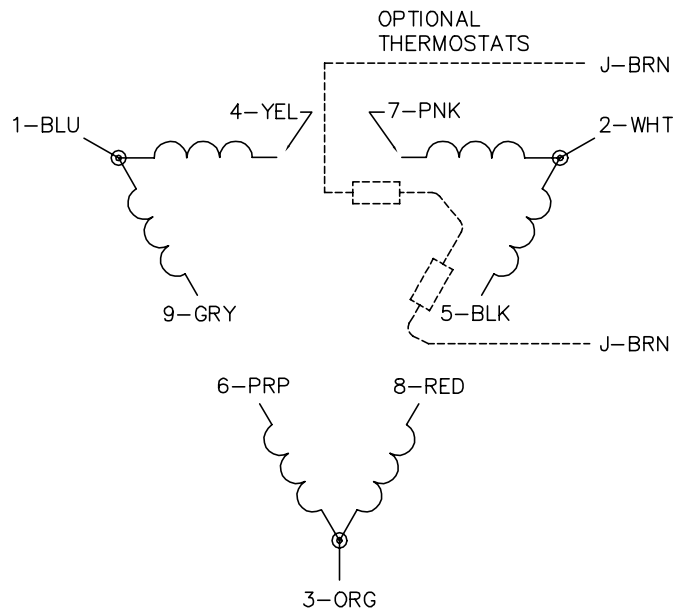
09LYE270

CUSTOMER IS RESPONSIBLE FOR DETERMINING THAT THE PRODUCT WILL PERFORM SUITABLY IN THE INTENDED APPLICATION.

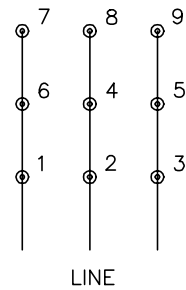
REV. DESC: REPLACE RB1062A02 W/RB062A04		
REV. LTR: J	VERSION: 06	TDR: 000001182213
FILE: \AAA\00000\626	REVISED: 01:48:53 12/01/2021	BY: USSTBUR3
MTL: -		

**BALDOR - RELIANCE**<sup>®</sup>  
 HORZ XPFC 254-6T CL.I GP.D,CL.II GP.F&G  
 SH 1 of 1

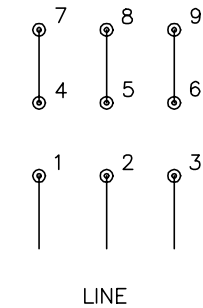
CD0180



LOW VOLTAGE  
(2D)



HIGH VOLTAGE  
(1D)



NOTES:

1. INTERCHANGE ANY TWO LINE LEADS TO REVERSE ROTATION.
2. OPTIONAL THERMOSTATS ARE PROVIDED WHEN SPECIFIED.
3. ACTUAL NUMBER OF INTERNAL PARALLEL CIRCUITS MAY BE A MULTIPLE OF THOSE SHOWN ABOVE.
4. LEAD COLORS ARE OPTIONAL. LEADS MUST ALWAYS BE NUMBERED AS SHOWN.

CD0180

REV. DESC: ADD CLASS CONN00000007		
REV. LTR: D	VERSION: 01	TDR: 000001099922
FILE: \AAA\00005\148	REVISED: 10:25:29 02/19/2019	BY: ENBRIRO
MTL: -	© □	

**BALDOR - RELIANCE®**

3PH, DV, 9 LEADS, DELTA CONNECTION

SH 1 of 1

Marketing maintained PDF of MN416:

<http://www.baldor.com/support/Literature/Load.ashx/MN416?ManNumber=MN416>