

BALDOR® • RELIANCE 

Product Information Packet

XM282542T

25HP, 1775//1475RPM, 3PH, 60//50HZ, 284T, XPF

Part Detail							
Revision:	D	Status:	PRD/A	Change #:		Proprietary:	No
Type:	AC	Elec. Spec:	10WGZ651	CD Diagram:	CD0180	Mfg Plant:	
Mech. Spec:		Layout:	10LYE106	Poles:	04	Created Date:	06-24-2020
Base:		Eff. Date:	06-15-2021	Leads:	9#10		

Specs			
Catalog Number:	XM282542T	Duty Rating:	CONT
Enclosure:	XPFC	Electrically Isolated Bearing:	Not Electrically Isolated
Frame:	284T	Feedback Device:	NO FEEDBACK
Frame Material:	Iron	Heater Indicator:	No Heater
Output @ Frequency:	25.000 HP @ 60 HZ	Insulation Class:	B
	20.000 HP @ 50 HZ	Inverter Code:	Inverter Duty
Synchronous Speed @ Frequency:	1800 RPM @ 60 HZ	IP Rating:	NONE
Voltage @ Frequency:	190.0 V @ 50 HZ	KVA Code:	J
	230.0 V @ 60 HZ	Lifting Lugs:	Standard Lifting Lugs
	380.0 V @ 50 HZ	Locked Bearing Indicator:	Locked Bearing
	460.0 V @ 60 HZ	Motor Lead Termination:	Flying Leads
XP Class and Group:	CLI GP D; CLII GP F,G	Motor Type:	1054M
XP Division:	Division I	Mounting Arrangement:	F1
Agency Approvals:	UR	Power Factor:	81
	CSA EEV	Product Family:	Hazardous Location Motor
	CSA	Pulley Face Code:	Standard
Auxillary Box:	No Auxillary Box	Rodent Screen:	None
Auxillary Box Lead Termination:	None	RoHS Status:	ROHS NON-COMPLIANT

Base Indicator:	Rigid	Shaft Ground Indicator:	No Shaft Grounding
Bearing Grease Type:	Polyrex EM (-20F +300F)	Shaft Rotation:	Reversible
Blower:	None	Speed Code:	Single Speed
Constant Torque Speed Range:	6	Motor Standards:	NEMA
Current @ Voltage:	64.000 A @ 208.0 V	Starting Method:	Direct on line
	62.000 A @ 230.0 V	Thermal Device - Bearing:	None
	60.000 A @ 190.0 V	Thermal Device - Winding:	Normally Closed Thermostat
	31.000 A @ 460.0 V	Vibration Sensor Indicator:	No Vibration Sensor
	30.000 A @ 380.0 V	Winding Thermal 1:	None
Design Code:	A	Winding Thermal 2:	None
Drip Cover:	No Drip Cover	XP Temp Code:	T3C

Nameplate NP0887XPSLEV									
NO.					CC	010A			
S/N					TEMP CODE	T3C			
SPEC.	10-0000-1575				INV.TYPE	PWM			
CAT.NO.	XM282542T				C HP FR	60		C HP TO	90
HP	25//20				CT HZ FROM	6		CT HZ TO	60
VOLTS	230/460//190/380				VT HZ FROM	6		VT HZ TO	60
AMPS	62/31//60/30				MAG CUR	28/14			
RPM	1775//1475				MX RPM	2700			
HZ	60//50	PH	3	CL	F	NOM.EFF.	93.6		
SER.F.	1.00		DES	A	SL HZ	0.83		WK2	4.13
FRAME	284T		RATING	40C AMB-CONT					
	1.15SF ON SINEWAVE								
	NEMA MG-1,PT.5,IP54								

Parts List		
Part Number	Description	Quantity
SA385339	SA 10-0000-1575	1.000 EA
RA375580	RA 10-0000-1575	1.000 EA
LB1115N	LABEL,LIFTING DEVICE (ON ROLLS)	1.000 EA
LB1119N	WARNING LABEL	1.000 EA
LC0181	CONNECTION LABEL	1.000 EA
NP0887XPSLEV	SS XP INV UL CSA-EEV CC CL-I GP-D	1.000 EA
85XU0407S04	4X1/4 U DRIVE PIN STAINLESS	2.000 EA
85XU0407S04	4X1/4 U DRIVE PIN STAINLESS	4.000 EA
MN416A01	TAG-INSTAL-MAINT no wire (2100/bx) 4/22	1.000 EA
LB1073	ALUM XP CAUTION LABEL	1.000 EA
10FH1008A01	310 FAN HOUSING X-PROOF MACH.	1.000 EA
HW1001A31	LOCKWASHER 5/16, ZINC PLT.591 OD, .319 I	3.000 EA
10XN3118K12	5/16-18 X .75 GRADE 5, ZINC PLATED	3.000 EA
09FN3001C02	EXTERNAL FAN, PLASTIC (COMES W/SCREW FRO	1.000 EA
HW2500A25	WOODRUFF KEY USA #1008 #BLOW CARBON STEE	1.000 EA
MJ1000A02	GREASE, MOBIL POLYREX EM - 124047	0.130 LB
WD4100A03	DE-750 HEYCO PLUG 62MP0750 MICRO PLASTIC	1.000 EA
10EP1701A01	FR ENDPLATE, MACH	1.000 EA
HA3050A03	3/8-16 X 2.25" GRADE 8 BOLT	4.000 EA
HW1001A38	LOCKWASHER 3/8, ZINC PLT .688 OD, .382 I	4.000 EA
HW5100A11	W3917-042 WVY WSHR (WB)	1.000 EA
HW4500A20	1/8NPT SL PIPE PLUG	1.000 EA
HW4500A20	1/8NPT SL PIPE PLUG	1.000 EA
10EP1709A08	PU ENDPLATE, X-PROOF W/LABYRINTH SHAFT G	1.000 EA

Parts List (continued)		
Part Number	Description	Quantity
HW1001A38	LOCKWASHER 3/8, ZINC PLT .688 OD, .382 I	4.000 EA
HA3050A03	3/8-16 X 2.25" GRADE 8 BOLT	4.000 EA
10XN2520K40	1/4-20 X 2-1/2 HEX HD CAPSCREW, GRADE 5,Z	4.000 EA
HW1001A25	LOCKWASHER 1/4, ZINC PLT .493 OD, .255 I	4.000 EA
HW4500A20	1/8NPT SL PIPE PLUG	1.000 EA
HW4500A20	1/8NPT SL PIPE PLUG	1.000 EA
12CB1001A01	K.O.BOX, MACH X-PROOF, 1.50 NPT HOLE	1.000 EA
10XN3118K16	5/16-18 X 1' GRADE #5, STL, ZINC PLATE	4.000 EA
HW1001A31	LOCKWASHER 5/16, ZINC PLT.591 OD, .319 I	4.000 EA
WD1000B25	GND LUG, BURNDY L125HP OR T&B L125HP-BB	1.000 EA
19XW3118G08	.31-18X.50,HEX WSHR HD,TAPTITE 2,GREEN	1.000 EA
12CB1501A01	COND.BOX LID, MACH., X-PROOF, 310,312	1.000 EA
10XN3816K20	3/8-16 X 1.25 HEX HD CAP GRADE 5	6.000 EA
HW1001A38	LOCKWASHER 3/8, ZINC PLT .688 OD, .382 I	6.000 EA
MG1025G29	WILKOFAS, 789.229, DARK CHARCOAL GRAY	0.125 GA
12PA1000	PACKAGING GROUP PRINT PK1024A07	1.000 EA
HW2501H28	KEY, 1/2 SQ X 3.250	1.000 EA

AC Induction Motor Performance Data

Record # 67462

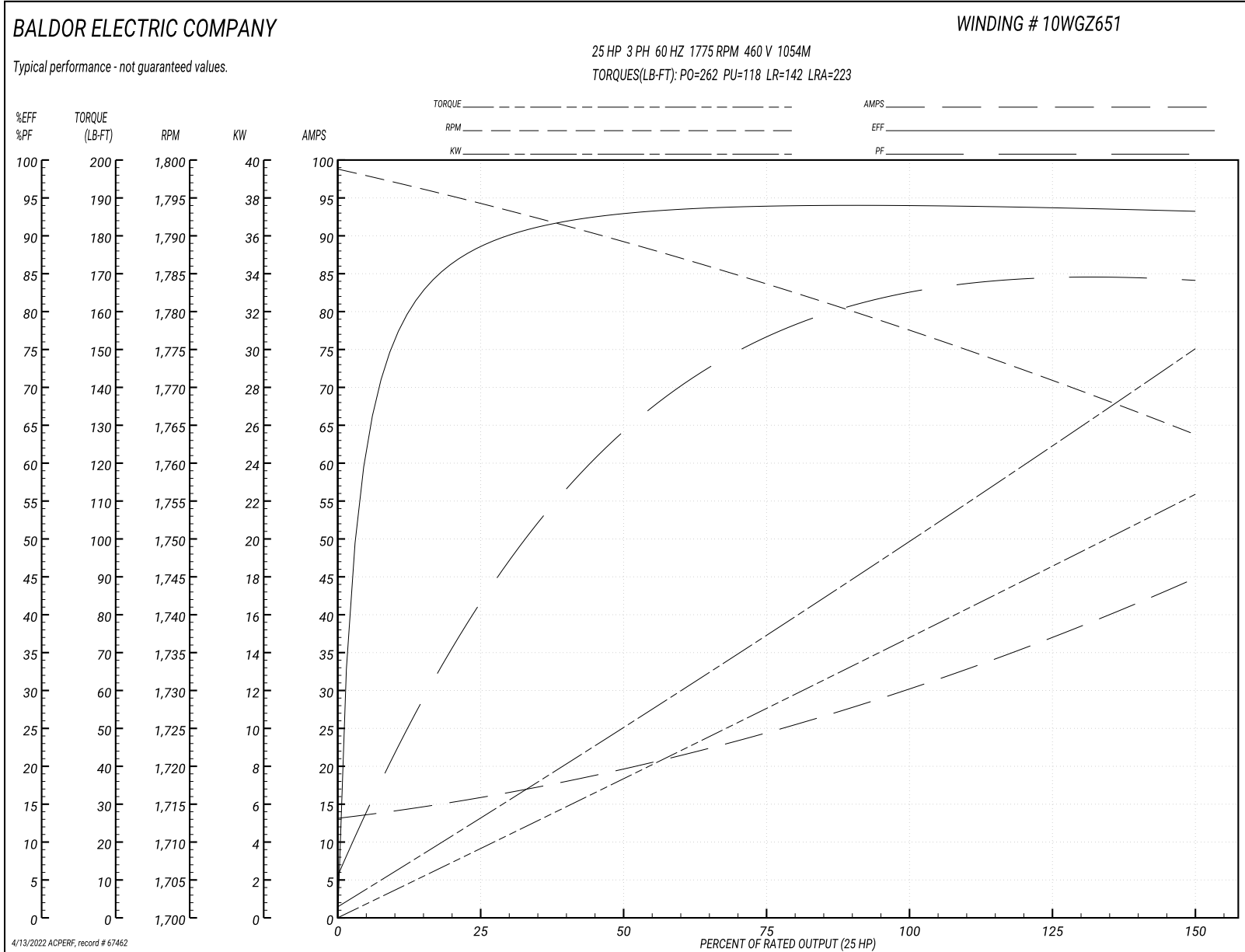
Typical performance - not guaranteed values

Winding: 10WGZ651-R004		Type: 1054M		Enclosure: XPFC	
Nameplate Data			460 V, 60 Hz: High Voltage Connection		
Rated Output (HP)	25	Full Load Torque	74.02 LB-FT		
Volts	230/460	Start Configuration	direct on line		
Full Load Amps	62/31	Breakdown Torque	262 LB-FT		
R.P.M.	1775	Pull-up Torque	118 LB-FT		
Hz	60	Phase	3	Locked-rotor Torque	142 LB-FT
NEMA Design Code	A	KVA Code	J	Starting Current	223 A
Service Factor (S.F.)	1	No-load Current	13.6 A		
NEMA Nom. Eff.	93.6	Power Factor	81	Line-line Res. @ 25°C	0.2345 Ω
Rating - Duty	40C AMB-CONT		Temp. Rise @ Rated Load	51°C	
			Locked-rotor Power Factor	30.6	

Load Characteristics 460 V, 60 Hz, 25 HP

% of Rated Load	25	50	75	100	125	150
Power Factor	43	65	76	81	84	85
Efficiency	88.3	92.8	93.9	94	93.7	93.1
Speed	1794.1	1789.3	1783.5	1777.8	1770.8	1763.8
Line amperes	15.3	19.3	24.6	30.6	37.2	44.5

Performance Graph at 460V, 60Hz, 25.0HP Typical performance - Not guaranteed values



AC Induction Motor Performance Data

Record # 74484

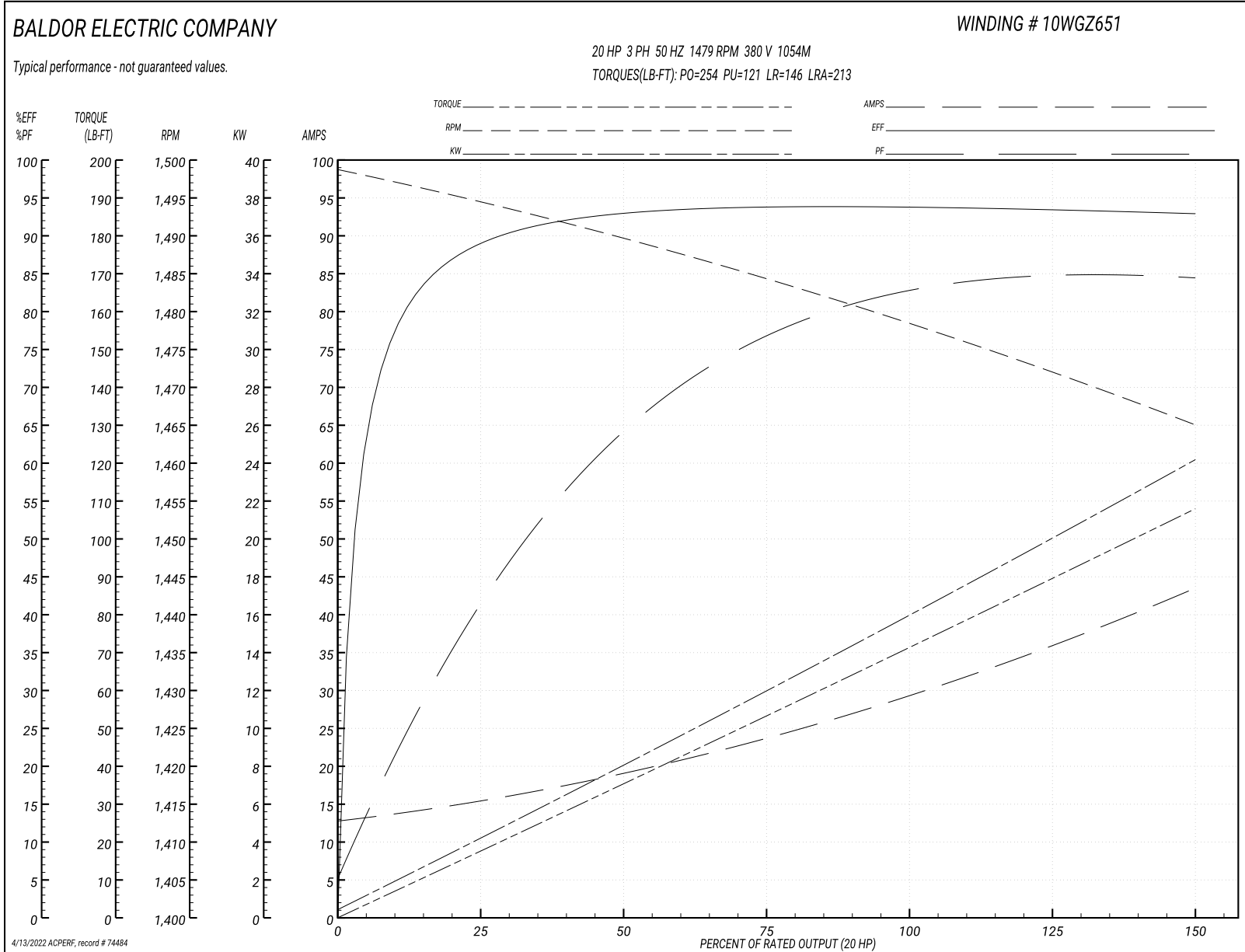
Typical performance - not guaranteed values

Winding: 10WGZ651-R024		Type: 1054M		Enclosure: XPFC		
Nameplate Data			380 V, 50 Hz: High Voltage Connection			
Rated Output (HP)	25//20		Full Load Torque	71.24 LB-FT		
Volts	230/460//190/380		Start Configuration	direct on line		
Full Load Amps	62/31//60/30		Breakdown Torque	254 LB-FT		
R.P.M.	1775//1475		Pull-up Torque	121 LB-FT		
Hz	60//50	Phase	3	Locked-rotor Torque	146 LB-FT	
NEMA Design Code	A		KVA Code	J	Starting Current	213 A
Service Factor (S.F.)	1			No-load Current	13.24 A	
NEMA Nom. Eff.	93.6	Power Factor	81	Line-line Res. @ 25°C	0.231 Ω	
Rating - Duty	40C AMB-CONT			Temp. Rise @ Rated Load	48°C	
S.F. Amps				Temp. Rise @ S.F. Load	58°C	
				Locked-rotor Power Factor	33.9	
				Rotor inertia	4.31 LB-FT ²	

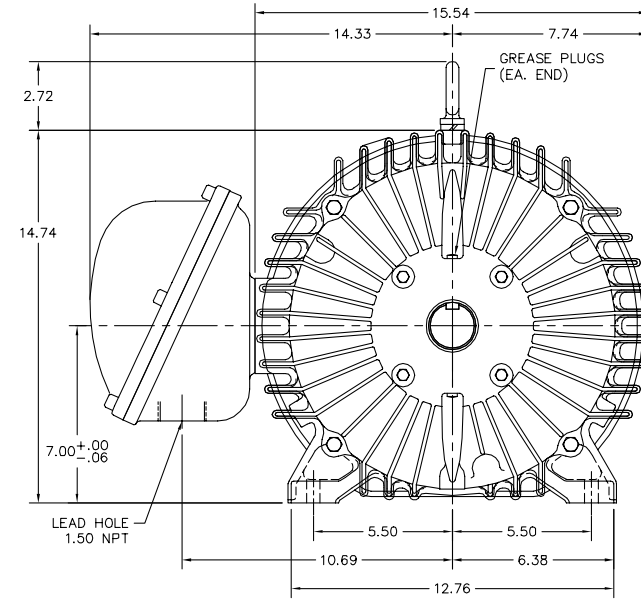
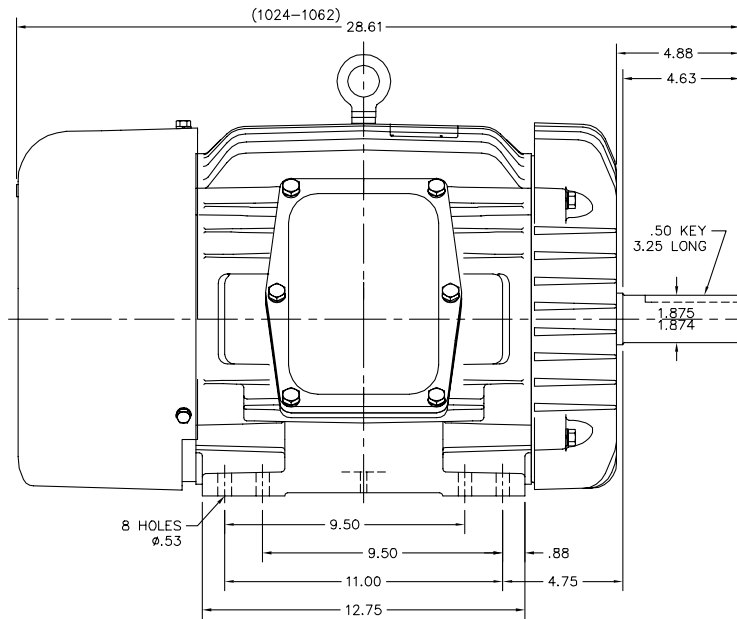
Load Characteristics 380 V, 50 Hz, 20 HP

% of Rated Load	25	50	75	100	125	150
Power Factor	43	66	76	82	84	85
Efficiency	88.8	93	93.8	93.8	93.3	92.9
Speed	1494	1490	1484	1479	1472	1465
Line amperes	14.85	18.69	23.83	29.65	36.06	43.17

Performance Graph at 380V, 50Hz, 20.0HP Typical performance - Not guaranteed values



10LYE106



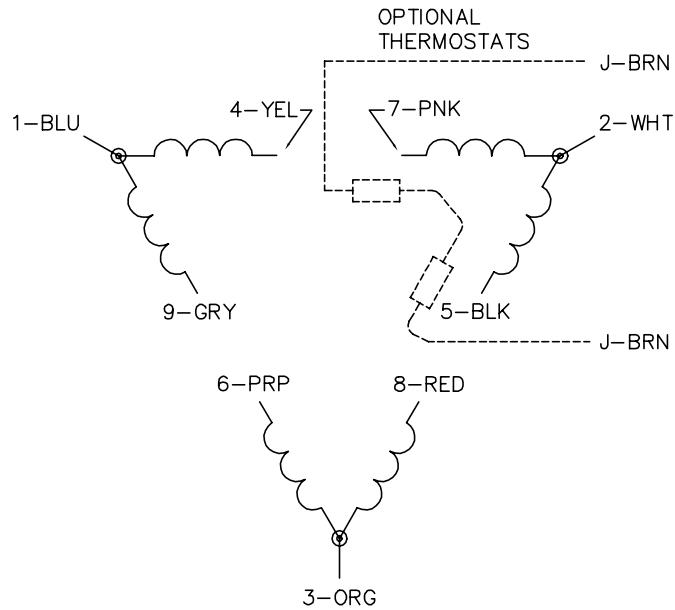
10LYE106

CUSTOMER IS RESPONSIBLE FOR DETERMINING THAT BALDOR'S PRODUCT WILL PERFORM SUITABLY IN THE INTENDED APPLICATION.

REV. DESC: ADDED 1062 STACK	VERSION: 04	TDR: 000001123693
REV. LTR: M	REVISD: 01:49:53 05/05/2021	BY: USEROLI
FILE: \AAA\00001\944		
MTL: -		

BALDOR - RELIANCE[®]
 HORZ XPFC 284-6T CL.I GP.D,CL.II GP.F&G
 SH 1 of 1

CD0180



LOW VOLTAGE
(2D)



HIGH VOLTAGE
(1D)



NOTES:

1. INTERCHANGE ANY TWO LINE LEADS TO REVERSE ROTATION.
2. OPTIONAL THERMOSTATS ARE PROVIDED WHEN SPECIFIED.
3. ACTUAL NUMBER OF INTERNAL PARALLEL CIRCUITS MAY BE A MULTIPLE OF THOSE SHOWN ABOVE.
4. LEAD COLORS ARE OPTIONAL. LEADS MUST ALWAYS BE NUMBERED AS SHOWN.

CD0180

REV. DESC: ADD CLASS CONN00000007		
REV. LTR: D	VERSION: 01	TDR: 000001099922
FILE: \AAA\00005\148	REVISED: 10:25:29 02/19/2019	BY: ENBRIRO
MTL: -	© □	

BALDOR - RELIANCE®

3PH, DV, 9 LEADS, DELTA CONNECTION

SH 1 of 1

Marketing maintained PDF of MN416:

<http://www.baldor.com/support/Literature/Load.ashx/MN416?ManNumber=MN416>