

**BALDOR® • RELIANCE** 

**Product Information Packet**

**XM28342T**

**30HP, 1760//1475RPM, 3PH, 60//50HZ, 286T, XPF**

Part Detail							
Revision:	A	Status:	PRD/A	Change #:		Proprietary:	No
Type:	AC	Elec. Spec:	10WGY538	CD Diagram:	CD0180	Mfg Plant:	
Mech. Spec:		Layout:	10LYE106	Poles:	04	Created Date:	06-24-2020
Base:		Eff. Date:	04-30-2021	Leads:	9#8		

Specs			
Catalog Number:	XM28342T	Duty Rating:	CONT
Enclosure:	XPFC	Electrically Isolated Bearing:	Not Electrically Isolated
Frame:	286T	Feedback Device:	NO FEEDBACK
Frame Material:	Iron	Heater Indicator:	No Heater
Output @ Frequency:	25.000 HP @ 50 HZ	Insulation Class:	B
	30.000 HP @ 60 HZ	Inverter Code:	Inverter Duty
Synchronous Speed @ Frequency:	1800 RPM @ 60 HZ	IP Rating:	NONE
Voltage @ Frequency:	230.0 V @ 60 HZ	KVA Code:	J
	190.0 V @ 50 HZ	Lifting Lugs:	Standard Lifting Lugs
	380.0 V @ 50 HZ	Locked Bearing Indicator:	Locked Bearing
	460.0 V @ 60 HZ	Motor Lead Termination:	Flying Leads
XP Class and Group:	CLI GP D; CLII GP F,G	Motor Type:	1056M
XP Division:	Division I	Mounting Arrangement:	F1
Agency Approvals:	UR	Power Factor:	80
	CSA EEV	Product Family:	Hazardous Location Motor
	CSA	Pulley Face Code:	Standard
Auxillary Box:	No Auxillary Box	Rodent Screen:	None
Auxillary Box Lead Termination:	None	RoHS Status:	ROHS NON-COMPLIANT

<b>Base Indicator:</b>	Rigid	<b>Shaft Ground Indicator:</b>	No Shaft Grounding
<b>Bearing Grease Type:</b>	Polyrex EM (-20F +300F)	<b>Shaft Rotation:</b>	Reversible
<b>Blower:</b>	None	<b>Speed Code:</b>	Single Speed
<b>Constant Torque Speed Range:</b>	6	<b>Motor Standards:</b>	NEMA
<b>Current @ Voltage:</b>	76.000 A @ 230.0 V	<b>Starting Method:</b>	Direct on line
	76.000 A @ 190.0 V	<b>Thermal Device - Bearing:</b>	None
	38.000 A @ 460.0 V	<b>Thermal Device - Winding:</b>	Normally Closed Thermostat
	38.000 A @ 380.0 V	<b>Vibration Sensor Indicator:</b>	No Vibration Sensor
<b>Design Code:</b>	A	<b>Winding Thermal 1:</b>	None
<b>Drip Cover:</b>	No Drip Cover	<b>Winding Thermal 2:</b>	None
		<b>XP Temp Code:</b>	T3C

Nameplate NP0887XPSLEV									
NO.					CC	010A			
S/N					TEMP CODE	T3C			
SPEC.	10-0000-1576				INV.TYPE	PWM			
CAT.NO.	XM28342T				C HP FR	60		C HP TO	90
HP	30//25				CT HZ FROM	12		CT HZ TO	60
VOLTS	230/460//190/380				VT HZ FROM	6		VT HZ TO	60
AMPS	76/38//76/38				MAG CUR	39.6/19.8			
RPM	1760//1475				MX RPM	2700			
HZ	60//50	PH	3	CL	F	NOM.EFF.	93.6		
SER.F.	1.00	DES	A	SL HZ	1.3	WK2	4.46		
FRAME	286T	RATING	40C AMB-CONT						
	1.15SF ON SINEWAVE								
	NEMA MG-1,PT.5,IP54								

Parts List		
Part Number	Description	Quantity
SA385337	SA 10-0000-1576	1.000 EA
RA375578	RA 10-0000-1576	1.000 EA
LB1115N	LABEL,LIFTING DEVICE (ON ROLLS)	1.000 EA
LB1119N	WARNING LABEL	1.000 EA
LC0181	CONNECTION LABEL	1.000 EA
NP0887XPSLEV	SS XP INV UL CSA-EEV CC CL-I GP-D	1.000 EA
85XU0407S04	4X1/4 U DRIVE PIN STAINLESS	2.000 EA
85XU0407S04	4X1/4 U DRIVE PIN STAINLESS	4.000 EA
MN416A01	TAG-INSTAL-MAINT no wire (2100/bx) 4/22	1.000 EA
LB1073	ALUM XP CAUTION LABEL	1.000 EA
10FH1008A01	310 FAN HOUSING X-PROOF MACH.	1.000 EA
HW1001A31	LOCKWASHER 5/16, ZINC PLT.591 OD, .319 I	3.000 EA
10XN3118K12	5/16-18 X .75 GRADE 5, ZINC PLATED	3.000 EA
09FN3001C02	EXTERNAL FAN, PLASTIC (COMES W/SCREW FRO	1.000 EA
HW2500A25	WOODRUFF KEY USA #1008 #BLOW CARBON STEE	1.000 EA
51XB1214A20	12-14X1.25 HXWSSLD SERTYB	1.000 EA
MJ1000A02	GREASE, MOBIL POLYREX EM - 124047	0.130 LB
WD4100A03	DE-750 HEYCO PLUG 62MP0750 MICRO PLASTIC	1.000 EA
10EP1701A01	FR ENDPLATE, MACH	1.000 EA
HA3050A03	3/8-16 X 2.25" GRADE 8 BOLT	4.000 EA
HW1001A38	LOCKWASHER 3/8, ZINC PLT .688 OD, .382 I	4.000 EA
HW5100A11	W3917-042 WVY WSHR (WB)	1.000 EA
HW4500A20	1/8NPT SL PIPE PLUG	1.000 EA
HW4500A20	1/8NPT SL PIPE PLUG	1.000 EA

Parts List (continued)		
Part Number	Description	Quantity
10EP1709A08	PU ENDPLATE, X-PROOF W/LABYRINTH SHAFT G	1.000 EA
HW1001A38	LOCKWASHER 3/8, ZINC PLT .688 OD, .382 I	4.000 EA
HA3050A03	3/8-16 X 2.25" GRADE 8 BOLT	4.000 EA
10XN2520K40	1/4-20 X 2-1/2 HEX HD CAPSCREW, GRADE 5,Z	4.000 EA
HW1001A25	LOCKWASHER 1/4, ZINC PLT .493 OD, .255 I	4.000 EA
HW4500A20	1/8NPT SL PIPE PLUG	1.000 EA
HW4500A20	1/8NPT SL PIPE PLUG	1.000 EA
12CB1001A01	K.O.BOX, MACH X-PROOF, 1.50 NPT HOLE	1.000 EA
10XN3118K16	5/16-18 X 1' GRADE #5, STL, ZINC PLATE	4.000 EA
HW1001A31	LOCKWASHER 5/16, ZINC PLT.591 OD, .319 I	4.000 EA
WD1000B25	GND LUG, BURNDY L125HP OR T&B L125HP-BB	1.000 EA
19XW3118G08	.31-18X.50,HEX WSHR HD,TAPTITE 2,GREEN	1.000 EA
12CB1501A01	COND.BOX LID, MACH., X-PROOF, 310,312	1.000 EA
10XN3816K20	3/8-16 X 1.25 HEX HD CAP GRADE 5	6.000 EA
HW1001A38	LOCKWASHER 3/8, ZINC PLT .688 OD, .382 I	6.000 EA
MG1025G29	WILKOFAS, 789.229, DARK CHARCOAL GRAY	0.125 GA
12PA1000	PACKAGING GROUP PRINT PK1024A07	1.000 EA
HW2501H28	KEY, 1/2 SQ X 3.250	1.000 EA

**AC Induction Motor Performance Data**

Record # 83882

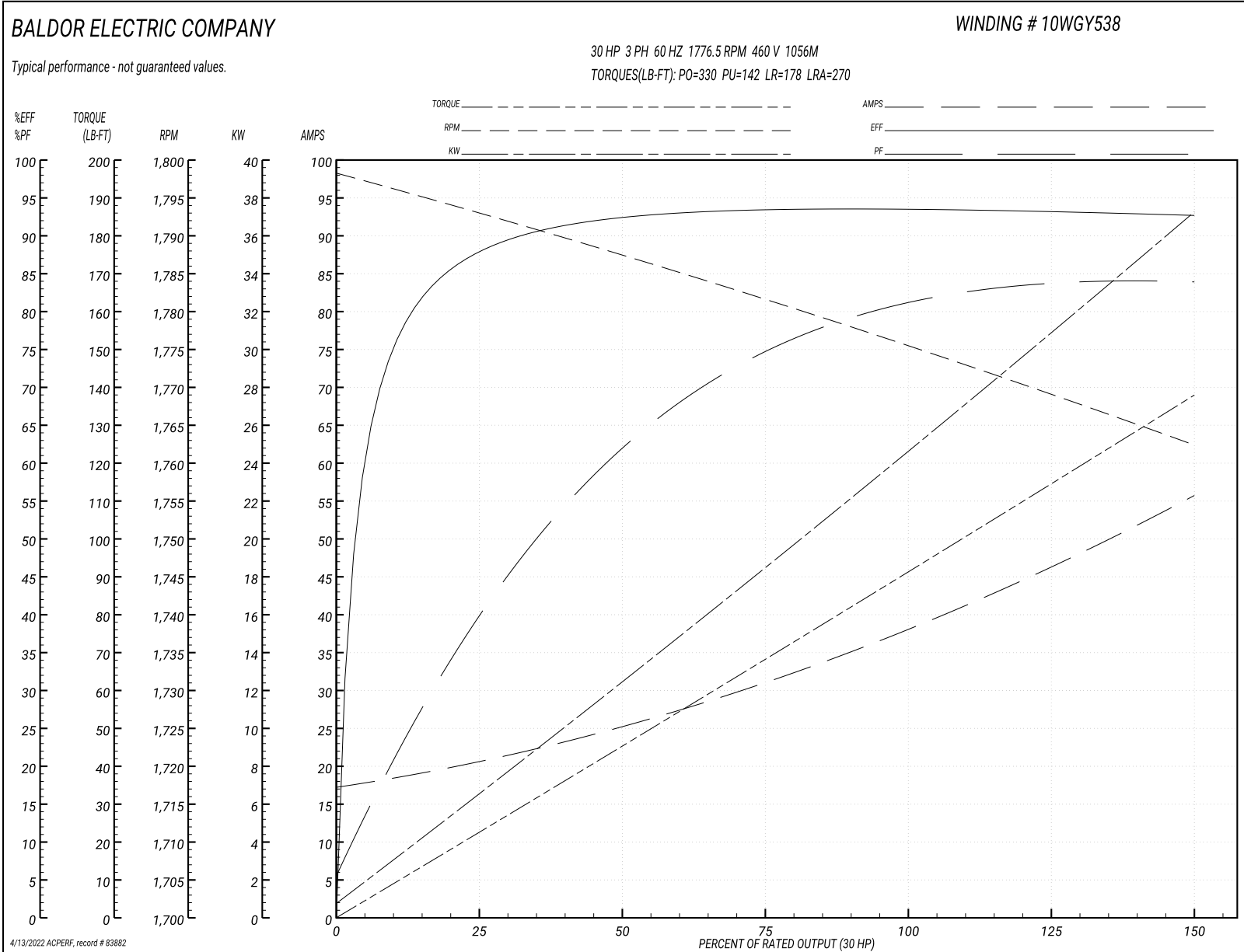
Typical performance - not guaranteed values

<b>Winding: 10WGY538-R047</b>		<b>Type: 1056M</b>		<b>Enclosure: XPFC</b>	
<b>Nameplate Data</b>			<b>460 V, 60 Hz: High Voltage Connection</b>		
<b>Rated Output (HP)</b>	30//25		<b>Full Load Torque</b>	88.7 LB-FT	
<b>Volts</b>	230/460//190/380		<b>Start Configuration</b>	direct on line	
<b>Full Load Amps</b>	76/38		<b>Breakdown Torque</b>	330 LB-FT	
<b>R.P.M.</b>	1760//1475		<b>Pull-up Torque</b>	142 LB-FT	
<b>Hz</b>	<b>60 Phase</b>	<b>3</b>	<b>Locked-rotor Torque</b>	178 LB-FT	
<b>NEMA Design Code</b>	<b>A</b>	<b>KVA Code</b>	<b>J</b>	<b>Starting Current</b>	270 A
<b>Service Factor (S.F.)</b>			<b>1</b>	<b>No-load Current</b>	17.9 A
<b>NEMA Nom. Eff.</b>	93.6	<b>Power Factor</b>	<b>80</b>	<b>Line-line Res. @ 25°C</b>	0.19377 Ω
<b>Rating - Duty</b>	40C AMB-CONT			<b>Temp. Rise @ Rated Load</b>	64°C
				<b>Locked-rotor Power Factor</b>	30.9
				<b>Rotor inertia</b>	4.47 lb-ft <sup>2</sup>

**Load Characteristics 460 V, 60 Hz, 30 HP**

<b>% of Rated Load</b>	<b>25</b>	<b>50</b>	<b>75</b>	<b>100</b>	<b>125</b>	<b>150</b>
<b>Power Factor</b>	41	63	73	80	82	85
<b>Efficiency</b>	87.6	92.3	93.5	93.7	93.4	92.9
<b>Speed</b>	1792.2	1787.6	1782.4	1776.5	1770.3	1762.1
<b>Line amperes</b>	19.8	24.3	30.7	37.6	45.6	55.2

Performance Graph at 460V, 60Hz, 30.0HP Typical performance - Not guaranteed values





**AC Induction Motor Performance Data**

Record # 83883

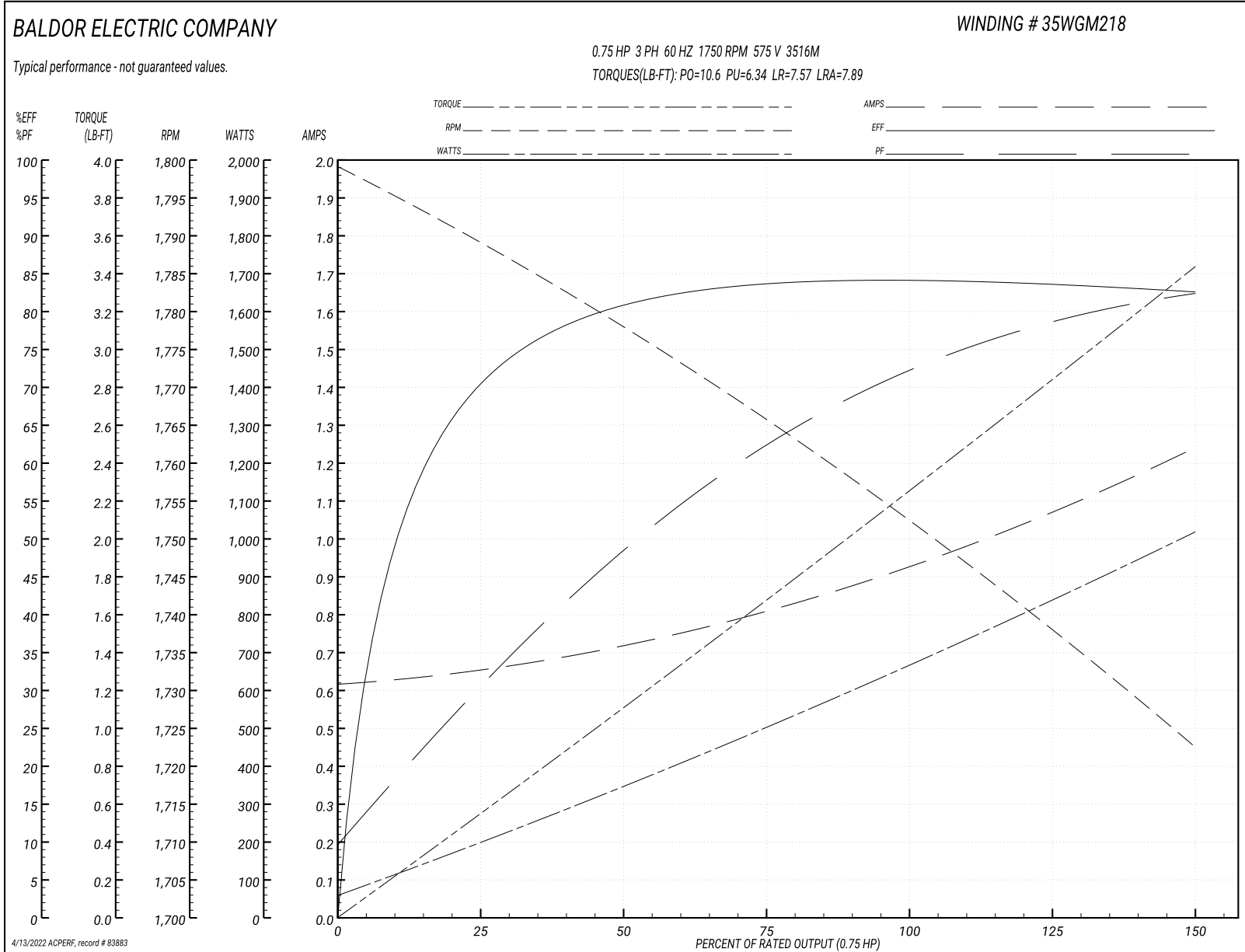
Typical performance - not guaranteed values

<b>Winding: 35WGM218-R026</b>		<b>Type: 3516M</b>		<b>Enclosure: TEFC</b>	
<b>Nameplate Data</b>			<b>575 V, 60 Hz: Single Voltage Motor</b>		
<b>Rated Output (HP)</b>	.75	<b>Full Load Torque</b>	2.22 LB-FT		
<b>Volts</b>	575	<b>Start Configuration</b>	direct on line		
<b>Full Load Amps</b>	.9	<b>Breakdown Torque</b>	10.6 LB-FT		
<b>R.P.M.</b>	1750	<b>Pull-up Torque</b>	6.34 LB-FT		
<b>Hz</b>	60 <b>Phase</b>	3	<b>Locked-rotor Torque</b>	7.57 LB-FT	
<b>NEMA Design Code</b>	<b>B KVA Code</b>	M	<b>Starting Current</b>	7.89 A	
<b>Service Factor (S.F.)</b>	1.25		<b>No-load Current</b>	0.621 A	
<b>NEMA Nom. Eff.</b>	84 <b>Power Factor</b>	71	<b>Line-line Res. @ 25°C</b>	34.7 Ω	
<b>Rating - Duty</b>	40C AMB-CONT		<b>Temp. Rise @ Rated Load</b>	30°C	
<b>S.F. Amps</b>	1.1		<b>Temp. Rise @ S.F. Load</b>	38°C	
			<b>Locked-rotor Power Factor</b>	65.1	
			<b>Rotor inertia</b>	0.0946 lb-ft <sup>2</sup>	

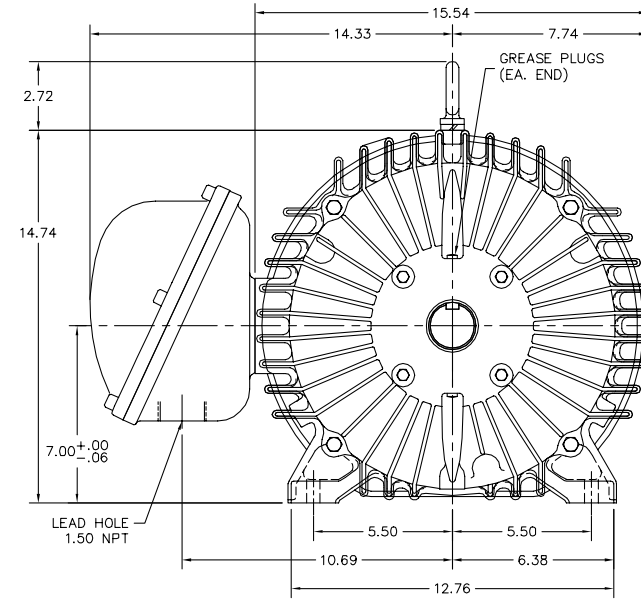
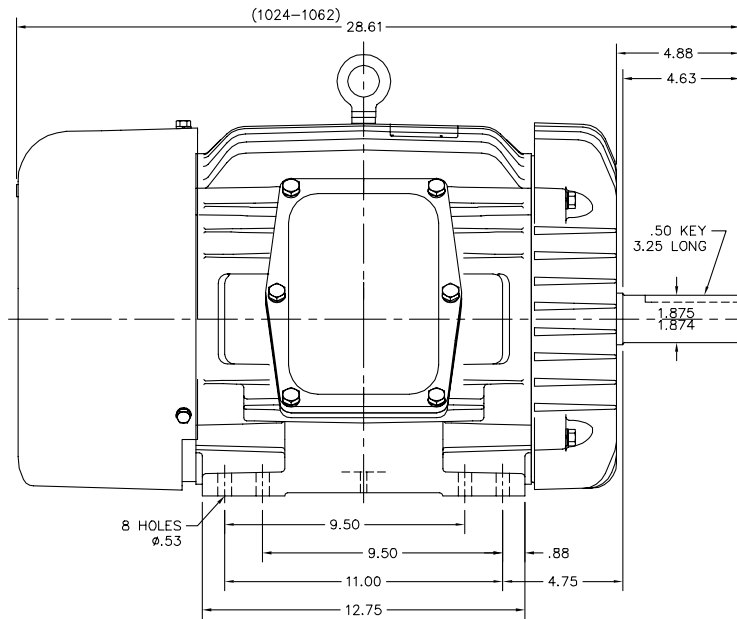
**Load Characteristics 575 V, 60 Hz, 0.75 HP**

<b>% of Rated Load</b>	<b>25</b>	<b>50</b>	<b>75</b>	<b>100</b>	<b>125</b>	<b>150</b>	<b>S.F.</b>
<b>Power Factor</b>	31	48	62	71	78	83	78
<b>Efficiency</b>	68.4	80	83.4	84.4	84.3	82.1	84.3
<b>Speed</b>	1790	1778	1766	1753	1739	1722	1739
<b>Line amperes</b>	0.647	0.711	0.808	0.924	1.07	1.24	1.07

Performance Graph at 575V, 60Hz, 0.75HP Typical performance - Not guaranteed values



10LYE106



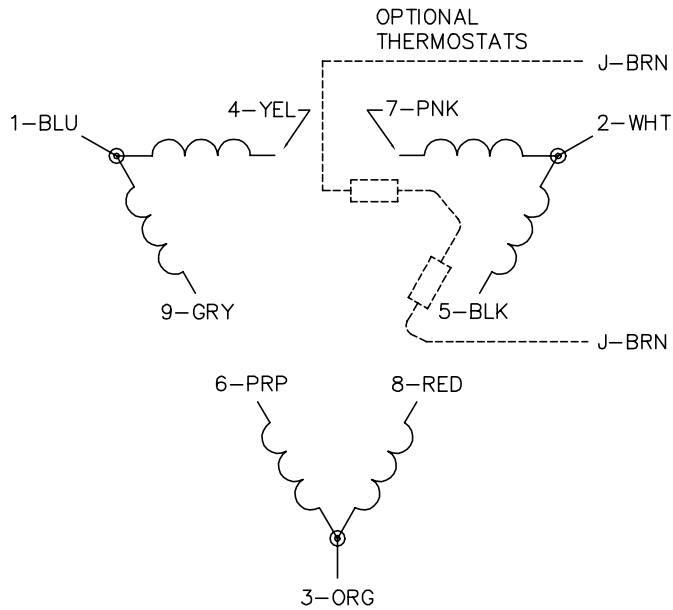
10LYE106

CUSTOMER IS RESPONSIBLE FOR DETERMINING THAT BALDOR'S PRODUCT WILL PERFORM SUITABLY IN THE INTENDED APPLICATION.

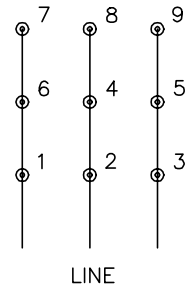
REV. DESC: ADDED 1062 STACK	VERSION: 04	TDR: 000001123693
REV. LTR: M	REVISD: 01:49:53 05/05/2021	BY: USEROLI
FILE: \AAA\00001\944		
MTL: -		

**BALDOR - RELIANCE**®  
 HORZ XPFC 284-6T CL.I GP.D,CL.II GP.F&G  
 SH 1 of 1

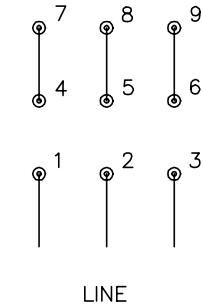
CD0180



LOW VOLTAGE  
(2D)



HIGH VOLTAGE  
(1D)



NOTES:

1. INTERCHANGE ANY TWO LINE LEADS TO REVERSE ROTATION.
2. OPTIONAL THERMOSTATS ARE PROVIDED WHEN SPECIFIED.
3. ACTUAL NUMBER OF INTERNAL PARALLEL CIRCUITS MAY BE A MULTIPLE OF THOSE SHOWN ABOVE.
4. LEAD COLORS ARE OPTIONAL. LEADS MUST ALWAYS BE NUMBERED AS SHOWN.

CD0180

REV. DESC: ADD CLASS CONN00000007		
REV. LTR: D	VERSION: 01	TDR: 000001099922
FILE: \AAA\00005\148	REVISED: 10:25:29 02/19/2019	BY: ENBRIRO
MTL: -	© □	

**BALDOR - RELIANCE®**

3PH, DV, 9 LEADS, DELTA CONNECTION

SH 1 of 1

Marketing maintained PDF of MN416:

<http://www.baldor.com/support/Literature/Load.ashx/MN416?ManNumber=MN416>