

BALDOR® • RELIANCE 

Product Information Packet

XM32362T

30//25HP, 1180//980RPM, 3PH, 60//50HZ, 326T

| Part Detail | | | | | | | |
|-------------|----|-------------|------------|-------------|--------|---------------|------------|
| Revision: | - | Status: | PRD/A | Change #: | | Proprietary: | No |
| Type: | AC | Elec. Spec: | 12WGY812 | CD Diagram: | CD0005 | Mfg Plant: | |
| Mech. Spec: | | Layout: | 12LYL018 | Poles: | 06 | Created Date: | 03-23-2021 |
| Base: | | Eff. Date: | 04-15-2021 | Leads: | 9#8 | | |

| Specs | | | |
|---------------------------------|-----------------------|--------------------------------|---------------------------|
| Catalog Number: | XM32362T | Electrically Isolated Bearing: | Not Electrically Isolated |
| Enclosure: | XPFC | Feedback Device: | NO FEEDBACK |
| Frame: | 326T | Heater Indicator: | No Heater |
| Frame Material: | Iron | Insulation Class: | F |
| Output @ Frequency: | 30.000 HP @ 60 HZ | Inverter Code: | Inverter Duty |
| | 25.000 HP @ 50 HZ | IP Rating: | NONE |
| Synchronous Speed @ Frequency: | 1200 RPM @ 60 HZ | KVA Code: | H |
| Voltage @ Frequency: | 380.0 V @ 50 HZ | Lifting Lugs: | Standard Lifting Lugs |
| | 460.0 V @ 60 HZ | Locked Bearing Indicator: | Locked Bearing |
| | 190.0 V @ 50 HZ | Motor Lead Termination: | Flying Leads |
| | 230.0 V @ 60 HZ | Motor Type: | 1264M |
| XP Class and Group: | CLI GP D; CLII GP F,G | Mounting Arrangement: | F1 |
| XP Division: | Division I | Power Factor: | 78 |
| Agency Approvals: | UR | Product Family: | Hazardous Location Motor |
| | CSA EEV | Pulley Face Code: | Standard |
| | CSA | Rodent Screen: | None |
| Auxillary Box: | No Auxillary Box | Shaft Ground Indicator: | No Shaft Grounding |
| Auxillary Box Lead Termination: | None | Shaft Rotation: | Reversible |

| | | | |
|-------------------------------------|-------------------------|------------------------------------|----------------------------|
| Base Indicator: | Rigid | Speed Code: | Single Speed |
| Bearing Grease Type: | Polyrex EM (-20F +300F) | Motor Standards: | NEMA |
| Blower: | None | Starting Method: | Direct on line |
| Constant Torque Speed Range: | 6 | Thermal Device - Bearing: | None |
| Current @ Voltage: | 78.000 A @ 230.0 V | Thermal Device - Winding: | Normally Closed Thermostat |
| | 39.000 A @ 460.0 V | Vibration Sensor Indicator: | No Vibration Sensor |
| Design Code: | A | Winding Thermal 1: | None |
| Drip Cover: | No Drip Cover | Winding Thermal 2: | None |
| Duty Rating: | CONT | XP Temp Code: | T3C |

| Nameplate NP0887XPSLEV | | | | | | | | | |
|------------------------|------------------------|----|--------|--------------|------------|-----------|----|----------|------|
| NO. | | | | | CC | 010A | | | |
| S/N | | | | | TEMP CODE | T3C | | | |
| SPEC. | 12-0000-2082 | | | | INV.TYPE | PWM | | | |
| CAT.NO. | XM32362T | | | | C HP FR | 60 | | C HP TO | 90 |
| HP | 30//25 | | | | CT HZ FROM | 6 | | CT HZ TO | 60 |
| VOLTS | 230/460//190/380 | | | | VT HZ FROM | 6 | | VT HZ TO | 60 |
| AMPS | 78/39 | | | | MAG CUR | 34.4/17.2 | | | |
| RPM | 1180//980 | | | | MX RPM | 1800 | | | |
| HZ | 60//50 | PH | 3 | CL | F | NOM.EFF. | 93 | | |
| SER.F. | 1.00 | | DES | A | SL HZ | 1 | | WK2 | 12.2 |
| FRAME | 326T | | RATING | 40C AMB-CONT | | | | | |
| | NEMA MG-1 PART 5, IP54 | | | | | | | | |
| | 1.15 SF ON SINE WAVE | | | | | | | | |
| | | | | | | | | | |

| Parts List | | |
|---------------|---|----------|
| Part Number | Description | Quantity |
| SA392537 | SA 12-0000-2082 | 1.000 EA |
| RA383103 | RA 12-0000-2082 | 1.000 EA |
| LB1115N | LABEL,LIFTING DEVICE (ON ROLLS) | 1.000 EA |
| LC0005E01 | SPL CONN.DIA./WARN.LABEL(LC0005/LB1119) | 1.000 EA |
| NP0887XPSLEV | SS XP INV UL CSA-EEV CC CL-I GP-D | 1.000 EA |
| 85XU0407S04 | 4X1/4 U DRIVE PIN STAINLESS | 4.000 EA |
| 85XU0407S04 | 4X1/4 U DRIVE PIN STAINLESS | 2.000 EA |
| MN416A01 | TAG-INSTAL-MAINT no wire (2100/bx) 4/22 | 1.000 EA |
| LB1073 | ALUM XP CAUTION LABEL | 1.000 EA |
| 12FH1001A01 | FAN HOUSING 312 EXPLOSION PROOF MOTORS | 1.000 EA |
| HW1001A31 | LOCKWASHER 5/16, ZINC PLT.591 OD, .319 I | 3.000 EA |
| 10XN3118K12 | 5/16-18 X .75 GRADE 5, ZINC PLATED | 3.000 EA |
| 09FN3001B03SP | EXTERNAL FAN, PLASTIC (COMES W/SCREW FRO | 1.000 EA |
| HW2500A25 | WOODRUFF KEY USA #1008 #BLOW CARBON STEE | 1.000 EA |
| MJ1000A02 | GREASE, MOBIL POLYREX EM - 124047 | 0.200 LB |
| 12EP1705A01 | ENDPLATE, MACH. 312 - EXPLOSION PROOF 31 | 1.000 EA |
| HA3051A03 | 1/2-13X2.75 BLT GR8 1.75 TO E NC F/S | 4.000 EA |
| HW1001A50 | LOCKWASHER 1/2, ZINC PLT.,.879 OD, .509 I | 4.000 EA |
| HW5100A13 | W4627-047 WVY WSHER | 1.000 EA |
| HW4500A20 | 1/8NPT SL PIPE PLUG | 1.000 EA |
| HW4500A20 | 1/8NPT SL PIPE PLUG | 1.000 EA |
| 12EP1706A01 | ENDPLATE, MACH. 312 - EXPLOSION PROOF 31 | 1.000 EA |
| HW1001A50 | LOCKWASHER 1/2, ZINC PLT.,.879 OD, .509 I | 4.000 EA |
| HA3051A03 | 1/2-13X2.75 BLT GR8 1.75 TO E NC F/S | 4.000 EA |

| Parts List (continued) | | |
|-------------------------------|--|-----------------|
| Part Number | Description | Quantity |
| 10XN3118K40 | 5/16-18 X 2.75" HEX HD, GRADE 5 | 4.000 EA |
| HW1001A31 | LOCKWASHER 5/16, ZINC PLT.591 OD, .319 I | 4.000 EA |
| HW4500A20 | 1/8NPT SL PIPE PLUG | 1.000 EA |
| HW4500A20 | 1/8NPT SL PIPE PLUG | 1.000 EA |
| 12CB1001A01 | K.O.BOX, MACH X-PROOF, 1.50 NPT HOLE | 1.000 EA |
| 10XN3118K16 | 5/16-18 X 1' GRADE #5, STL, ZINC PLATE | 4.000 EA |
| HW1001A31 | LOCKWASHER 5/16, ZINC PLT.591 OD, .319 I | 4.000 EA |
| WD1000B25 | GND LUG, BURNDY L125HP OR T&B L125HP-BB | 1.000 EA |
| 19XW3118G08 | .31-18X.50,HEX WSHR HD,TAPTITE 2,GREEN | 1.000 EA |
| 12CB1501A01 | COND.BOX LID, MACH., X-PROOF, 310,312 | 1.000 EA |
| 10XN3816K20 | 3/8-16 X 1.25 HEX HD CAP GRADE 5 | 6.000 EA |
| HW1001A38 | LOCKWASHER 3/8, ZINC PLT .688 OD, .382 I | 6.000 EA |
| MG1025G29 | WILKOFASST, 789.229, DARK CHARCOAL GRAY | 0.125 GA |
| 14PA1000 | PACKAGING 314 GROUP COMBINED PRINT | 1.000 EA |
| HW2501H33 | KEY, 1/2 SQ X 3.875 | 1.000 EA |

AC Induction Motor Performance Data

Record # 67041

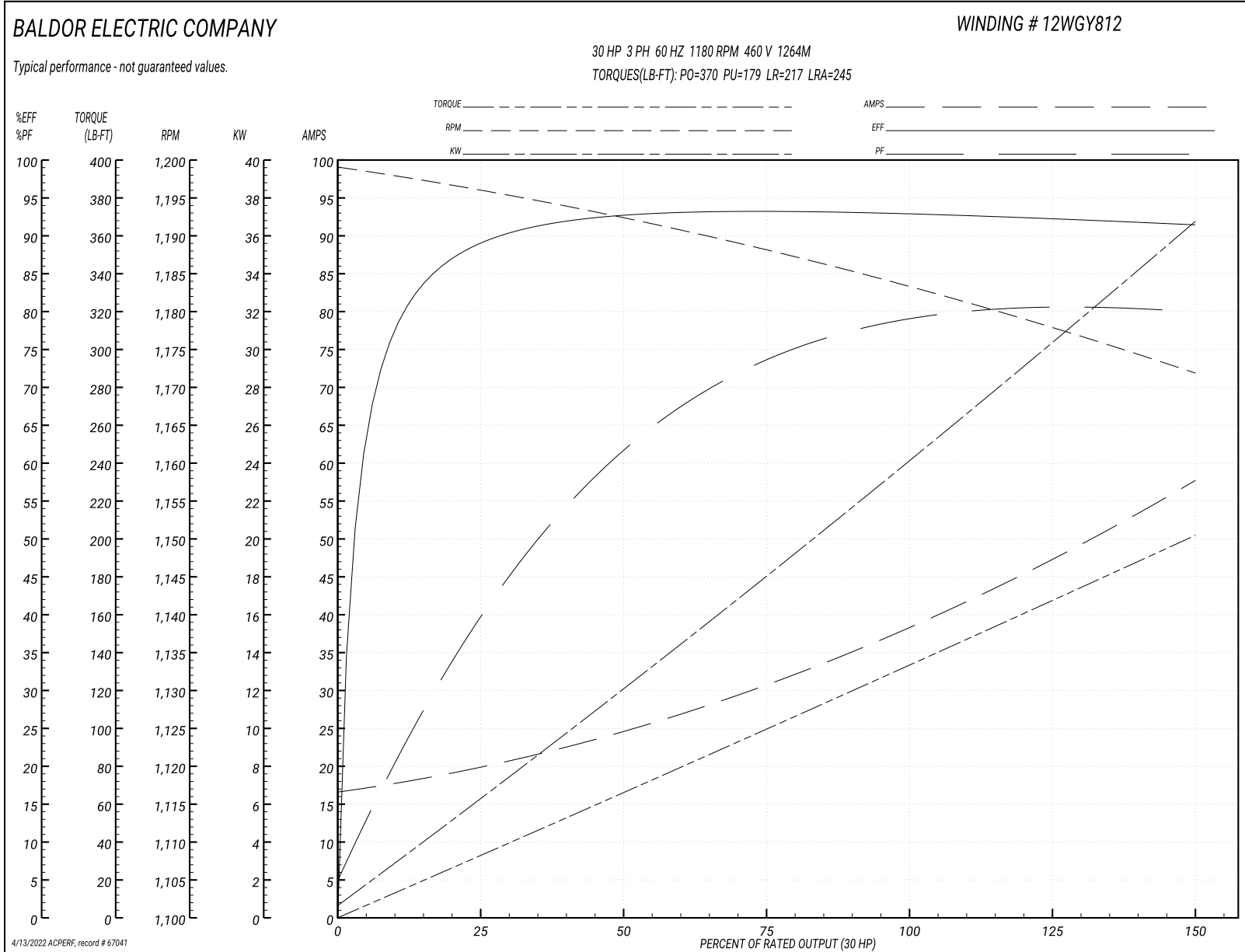
Typical performance - not guaranteed values

| Winding: 12WGY812-R015 | | | Type: 1264M | Enclosure: XPFC | |
|------------------------|--------------|--------------|--|-----------------------|-----------|
| Nameplate Data | | | 460 V, 60 Hz: High Voltage Connection | | |
| Rated Output (HP) | 30 | | Full Load Torque | 133 LB-FT | |
| Volts | 230/460 | | Start Configuration | direct on line | |
| Full Load Amps | 78/39 | | Breakdown Torque | 370 LB-FT | |
| R.P.M. | 1180 | | Pull-up Torque | 179 LB-FT | |
| Hz | 60 Phase | 3 | Locked-rotor Torque | 217 LB-FT | |
| NEMA Design Code | A | KVA Code | H | Starting Current | 245 A |
| Service Factor (S.F.) | 1 | | No-load Current | 17.2 A | |
| NEMA Nom. Eff. | 93 | Power Factor | 78 | Line-line Res. @ 25°C | 0.22799 Ω |
| Rating - Duty | 40C AMB-CONT | | Temp. Rise @ Rated Load | 56°C | |
| | | | Locked-rotor Power Factor | 27.6 | |

Load Characteristics 460 V, 60 Hz, 30 HP

| % of Rated Load | 25 | 50 | 75 | 100 | 125 | 150 |
|-----------------|--------|--------|--------|--------|--------|--------|
| Power Factor | 42 | 63 | 73 | 78 | 80 | 80 |
| Efficiency | 89 | 92.7 | 93.4 | 93.1 | 92.4 | 91.4 |
| Speed | 1196.5 | 1191.9 | 1188.3 | 1183.2 | 1178.2 | 1171.8 |
| Line amperes | 19.2 | 24.1 | 31 | 38.7 | 47.5 | 57.3 |

Performance Graph at 460V, 60Hz, 30.0HP Typical performance - Not guaranteed values



AC Induction Motor Performance Data

Record # 75682

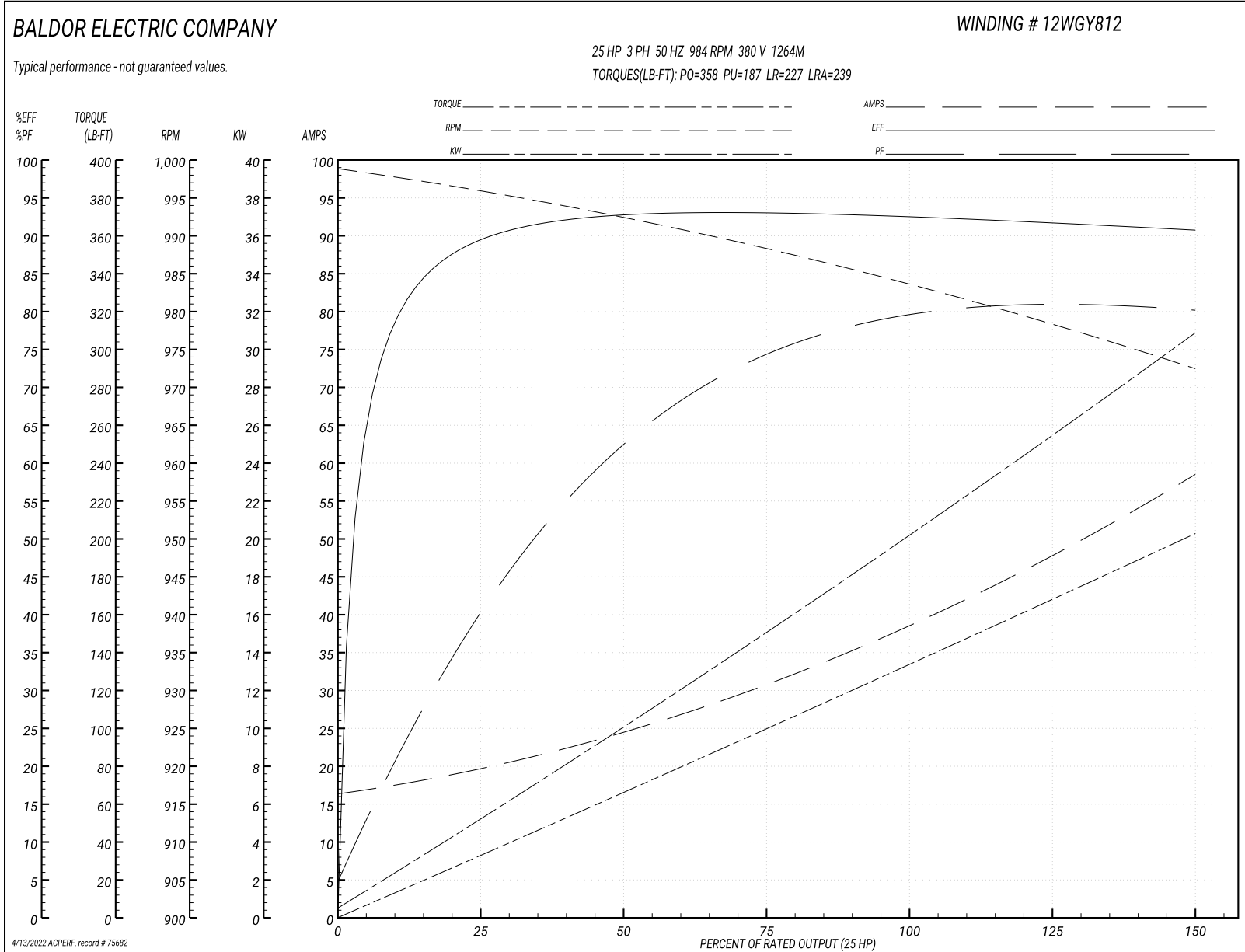
Typical performance - not guaranteed values

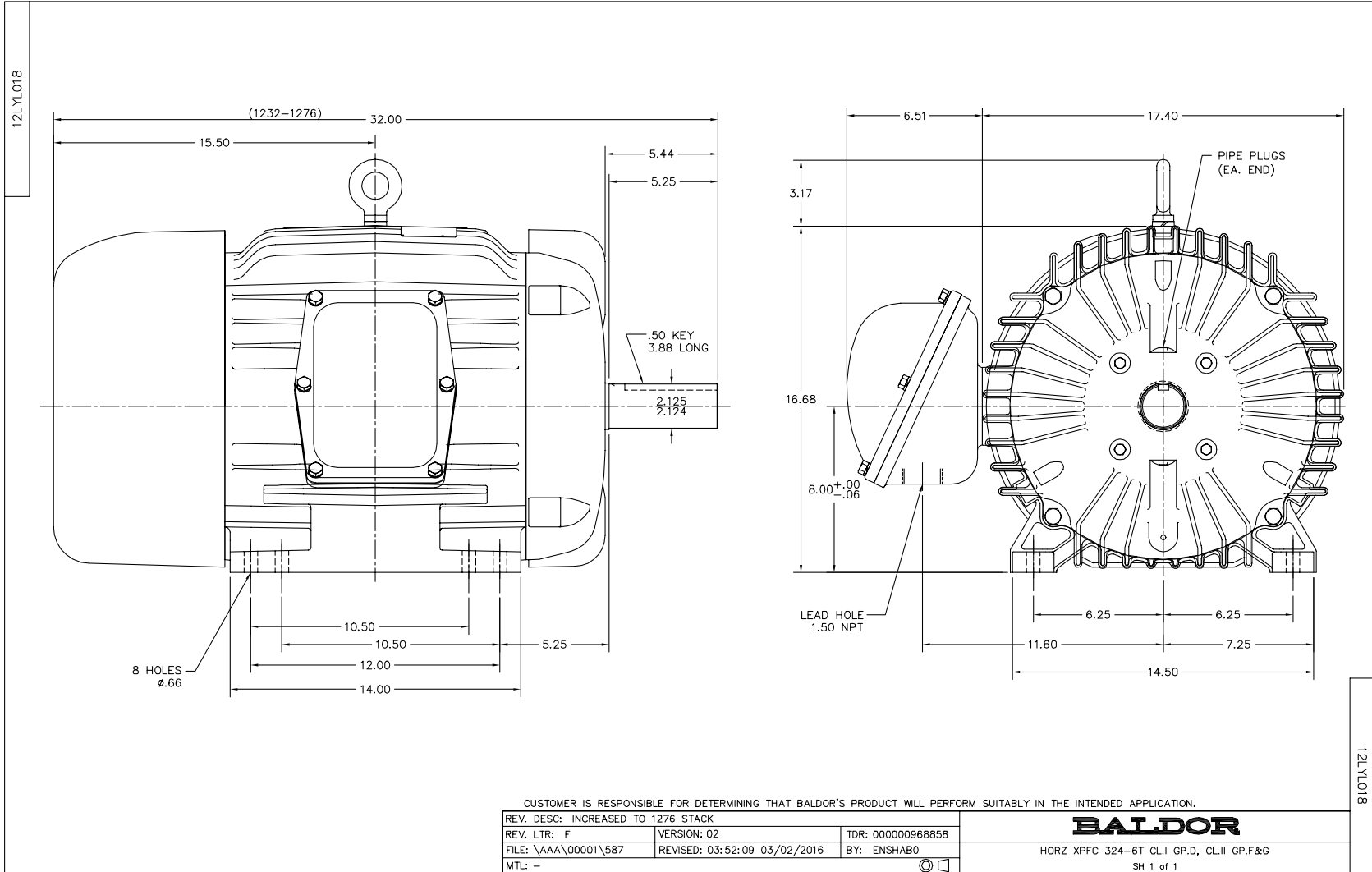
| Winding: 12WGY812-R018 | | Type: 1264M | | Enclosure: XPFC | |
|-------------------------------|------------------|---------------------|--|------------------------------|-----------|
| Nameplate Data | | | 380 V, 50 Hz: High Voltage Connection | | |
| Rated Output (HP) | 30//25 | | Full Load Torque | 133 LB-FT | |
| Volts | 230/460//190/380 | | Start Configuration | direct on line | |
| Full Load Amps | 78/39 | | Breakdown Torque | 358 LB-FT | |
| R.P.M. | 1180//980 | | Pull-up Torque | 187 LB-FT | |
| Hz | 60//50 | Phase | 3 | Locked-rotor Torque | 227 LB-FT |
| NEMA Design Code | A | KVA Code | H | Starting Current | 239 A |
| Service Factor (S.F.) | 1 | | No-load Current | 16.97 A | |
| NEMA Nom. Eff. | 93 | Power Factor | 78 | Line-line Res. @ 25°C | 0.222 Ω |
| Rating - Duty | 40C AMB-CONT | | Temp. Rise @ Rated Load | 56°C | |
| S.F. Amps | | | Temp. Rise @ S.F. Load | 69°C | |
| | | | Locked-rotor Power Factor | 30.7 | |
| | | | Rotor inertia | 12.2 LB-FT ² | |

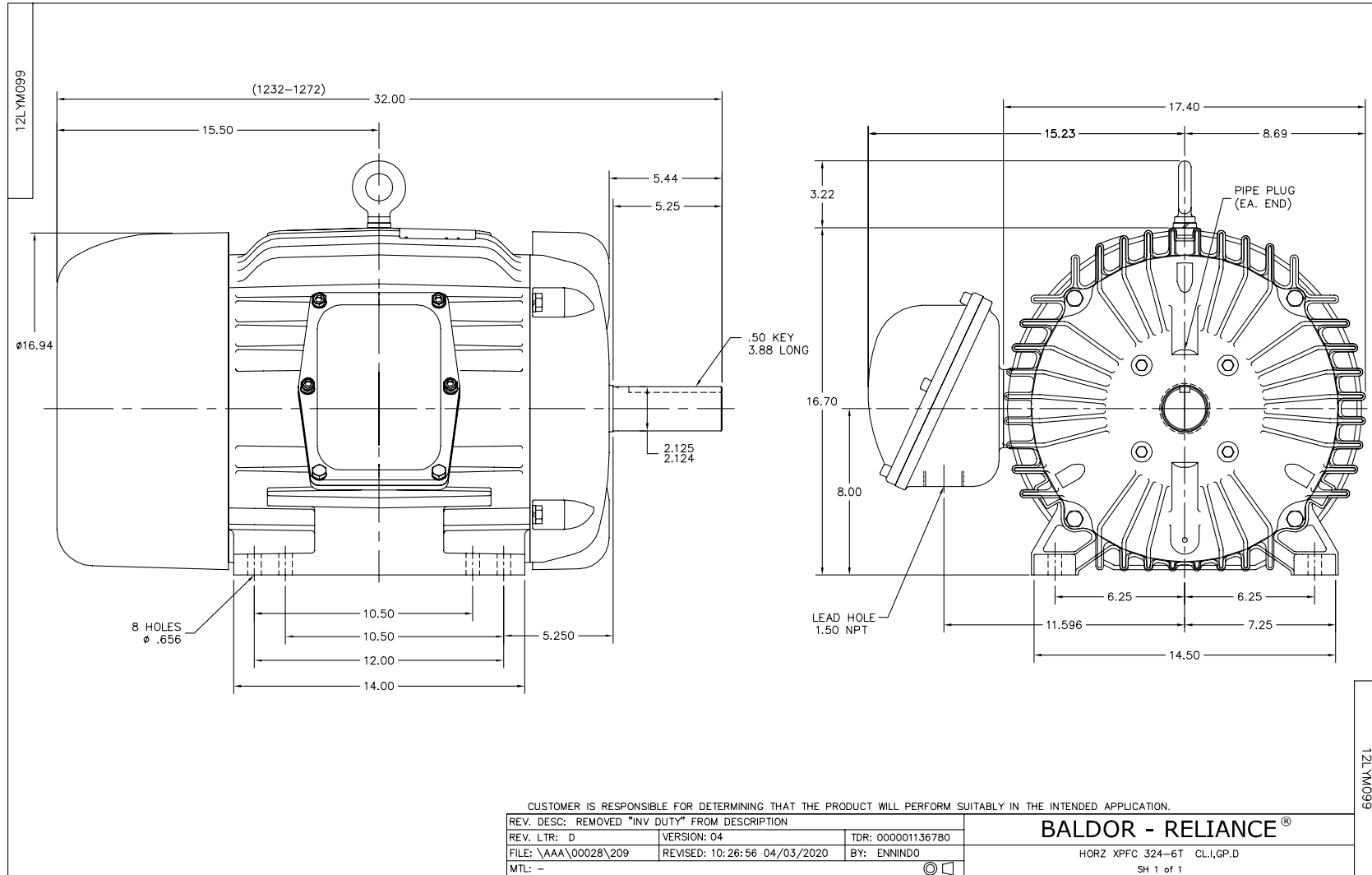
Load Characteristics 380 V, 50 Hz, 25 HP

| % of Rated Load | 25 | 50 | 75 | 100 | 125 | 150 |
|------------------------|-----------|-----------|-----------|------------|------------|------------|
| Power Factor | 42 | 64 | 74 | 79 | 80 | 81 |
| Efficiency | 89.3 | 92.6 | 93.1 | 92.3 | 91.9 | 90.6 |
| Speed | 996 | 992 | 988 | 984 | 979 | 972 |
| Line amperes | 18.98 | 23.98 | 31.07 | 38.94 | 48.02 | 58.14 |

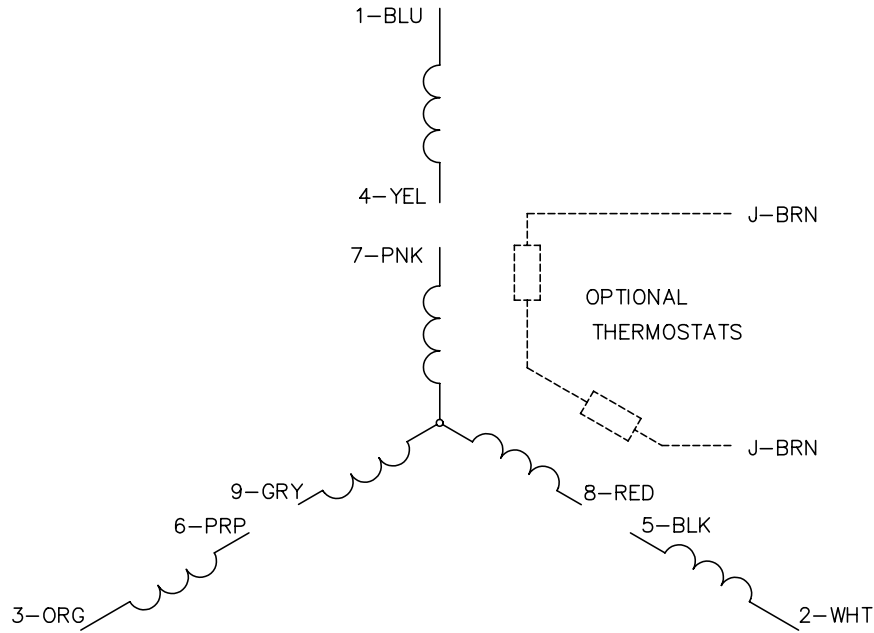
Performance Graph at 380V, 50Hz, 25.0HP Typical performance - Not guaranteed values



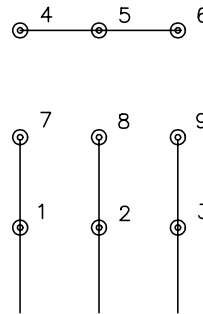




CD0005

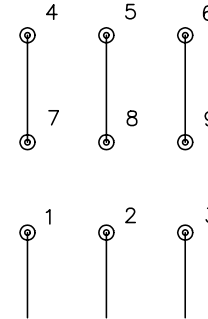


LOW VOLTAGE
(2Y)



LINE

HIGH VOLTAGE
(1Y)



LINE

NOTES:

1. INTERCHANGE ANY TWO LINE LEADS TO REVERSE ROTATION.
2. OPTIONAL THERMOSTATS ARE PROVIDED WHEN SPECIFIED.
3. ACTUAL NUMBER OF INTERNAL PARALLEL CIRCUITS MAY BE A MULTIPLE OF THOSE SHOWN ABOVE.
4. LEAD COLORS ARE OPTIONAL. LEADS MUST ALWAYS BE NUMBERED AS SHOWN.

REV. DESC: REVISE TO SHOW OPTIONAL COLORS

REV. LTR: E BY: JLP

REVISED: 01/19/99 10:15

TDR: 0171435

9000D

FILE: AAA00005140

MDL: -

MTL: -

BALDOR ELECTRIC Co.

3PH, DV, 9 LEADS

CD0005

Marketing maintained PDF of MN416:

<http://www.baldor.com/support/Literature/Load.ashx/MN416?ManNumber=MN416>