

**BALDOR® • RELIANCE** 

**Product Information Packet**

**XM32422T**

**40//30HP,3540//2950RPM,3PH,60//50HZ,324T**

Part Detail							
Revision:	-	Status:	PRD/A	Change #:		Proprietary:	No
Type:	AC	Elec. Spec:	12WGY584	CD Diagram:	CD0180	Mfg Plant:	
Mech. Spec:		Layout:	12LYG783	Poles:	02	Created Date:	04-29-2021
Base:		Eff. Date:	05-10-2021	Leads:	9#8		

Specs			
Catalog Number:	XM32422T	Drip Cover:	No Drip Cover
Enclosure:	XPFC	Duty Rating:	CONT
Frame:	324TS	Electrically Isolated Bearing:	Not Electrically Isolated
Frame Material:	Iron	Feedback Device:	NO FEEDBACK
Output @ Frequency:	40.000 HP @ 60 HZ	Heater Indicator:	No Heater
	30.000 HP @ 50 HZ	Insulation Class:	F
Synchronous Speed @ Frequency:	3600 RPM @ 60 HZ	Inverter Code:	Inverter Duty
Voltage @ Frequency:	190.0 V @ 50 HZ	IP Rating:	NONE
	230.0 V @ 60 HZ	KVA Code:	H
	380.0 V @ 50 HZ	Lifting Lugs:	Standard Lifting Lugs
	460.0 V @ 60 HZ	Locked Bearing Indicator:	Locked Bearing
XP Class and Group:	CLI GP D; CLII GP F,G	Motor Lead Termination:	Flying Leads
XP Division:	Division I	Motor Type:	1252M
Agency Approvals:	UR	Mounting Arrangement:	F1
	CSA EEV	Power Factor:	88
	CSA	Product Family:	Hazardous Location Motor
Auxillary Box:	No Auxillary Box	Pulley Face Code:	Standard
Auxillary Box Lead Termination:	None	Rodent Screen:	None

<b>Base Indicator:</b>	Rigid	<b>Shaft Ground Indicator:</b>	No Shaft Grounding
<b>Bearing Grease Type:</b>	Polyrex EM (-20F +300F)	<b>Shaft Rotation:</b>	Reversible
<b>Blower:</b>	None	<b>Speed Code:</b>	Single Speed
<b>Constant Torque Speed Range:</b>	6	<b>Motor Standards:</b>	NEMA
<b>Current @ Voltage:</b>	98.000 A @ 208.0 V	<b>Starting Method:</b>	Direct on line
	90.000 A @ 230.0 V	<b>Thermal Device - Bearing:</b>	None
	82.000 A @ 190.0 V	<b>Thermal Device - Winding:</b>	Normally Closed Thermostat
	45.000 A @ 460.0 V	<b>Vibration Sensor Indicator:</b>	No Vibration Sensor
	41.000 A @ 380.0 V	<b>Winding Thermal 1:</b>	None
<b>Design Code:</b>	A	<b>Winding Thermal 2:</b>	None
		<b>XP Temp Code:</b>	T3C

Nameplate NP0887XPSLEV										
NO.						CC	010A			
S/N						TEMP CODE	T3C			
SPEC.	12-0000-2141					INV.TYPE	PWM			
CAT.NO.	XM32422T					C HP FR	60		C HP TO	90
HP	40//30					CT HZ FROM	6		CT HZ TO	60
VOLTS	230/460//190/380					VT HZ FROM	6		VT HZ TO	60
AMPS	90/45//82/41					MAG CUR	24/12			
RPM	3540//2950					MX RPM	5400			
HZ	60//50		PH	3	CL	F	NOM.EFF.	92.4		
SER.F.	1.00		DES	A	SL HZ	1	WK2	4.07		
FRAME	324TS		RATING		40C AMB-CONT					
NEMA MG-1 PART 5, IP54										
1.15 SF ON SINE WAVE										

Parts List		
Part Number	Description	Quantity
SA393382	SA 12-0000-2141	1.000 EA
RA384026	RA 12-0000-2141	1.000 EA
LB1115N	LABEL,LIFTING DEVICE (ON ROLLS)	1.000 EA
LB1119N	WARNING LABEL	1.000 EA
LC0181	CONNECTION LABEL	1.000 EA
NP0887XPSLEV	SS XP INV UL CSA-EEV CC CL-I GP-D	1.000 EA
85XU0407S04	4X1/4 U DRIVE PIN STAINLESS	2.000 EA
85XU0407S04	4X1/4 U DRIVE PIN STAINLESS	4.000 EA
MN416A01	TAG-INSTAL-MAINT no wire (2100/bx) 4/22	1.000 EA
LB1073	ALUM XP CAUTION LABEL	1.000 EA
12FH1001A01	FAN HOUSING 312 EXPLOSION PROOF MOTORS	1.000 EA
HW1001A31	LOCKWASHER 5/16, ZINC PLT.591 OD, .319 I	3.000 EA
10XN3118K12	5/16-18 X .75 GRADE 5, ZINC PLATED	3.000 EA
10FN3001A02	310 FAN, PLASTIC 2.000 DIA. BORE	1.000 EA
HW2500A25	WOODRUFF KEY USA #1008 #BLOW CARBON STEE	1.000 EA
MJ1000A02	GREASE, MOBIL POLYREX EM - 124047	0.200 LB
12EP1705A01	ENDPLATE, MACH. 312 - EXPLOSION PROOF 31	1.000 EA
HA3051A03	1/2-13X2.75 BLT GR8 1.75 TO E NC F/S	4.000 EA
HW1001A50	LOCKWASHER 1/2, ZINC PLT.,.879 OD, .509 I	4.000 EA
HW5100A13	W4627-047 WVY WSHER	1.000 EA
HW4500A20	1/8NPT SL PIPE PLUG	1.000 EA
HW4500A20	1/8NPT SL PIPE PLUG	1.000 EA
12EP1706A01	ENDPLATE, MACH. 312 - EXPLOSION PROOF 31	1.000 EA
HW1001A50	LOCKWASHER 1/2, ZINC PLT.,.879 OD, .509 I	4.000 EA

Parts List (continued)		
Part Number	Description	Quantity
HA3051A03	1/2-13X2.75 BLT GR8 1.75 TO E NC F/S	4.000 EA
10XN3118K40	5/16-18 X 2.75" HEX HD, GRADE 5	4.000 EA
HW1001A31	LOCKWASHER 5/16, ZINC PLT.591 OD, .319 I	4.000 EA
HW4500A20	1/8NPT SL PIPE PLUG	1.000 EA
HW4500A20	1/8NPT SL PIPE PLUG	1.000 EA
12CB1001A01	K.O.BOX, MACH X-PROOF, 1.50 NPT HOLE	1.000 EA
10XN3118K16	5/16-18 X 1' GRADE #5, STL, ZINC PLATE	4.000 EA
HW1001A31	LOCKWASHER 5/16, ZINC PLT.591 OD, .319 I	4.000 EA
WD1000B25	GND LUG, BURNDY L125HP OR T&B L125HP-BB	1.000 EA
19XW3118G08	.31-18X.50,HEX WSHR HD,TAPTITE 2,GREEN	1.000 EA
12CB1501A01	COND.BOX LID, MACH., X-PROOF, 310,312	1.000 EA
10XN3816K20	3/8-16 X 1.25 HEX HD CAP GRADE 5	6.000 EA
HW1001A38	LOCKWASHER 3/8, ZINC PLT .688 OD, .382 I	6.000 EA
MG1025G29	WILKOFAS, 789.229, DARK CHARCOAL GRAY	0.125 GA
14PA1000	PACKAGING 314 GROUP COMBINED PRINT	1.000 EA
HW2501H18	KEY, 1/2 SQ X 2.000	1.000 EA

**AC Induction Motor Performance Data**

Record # 66216

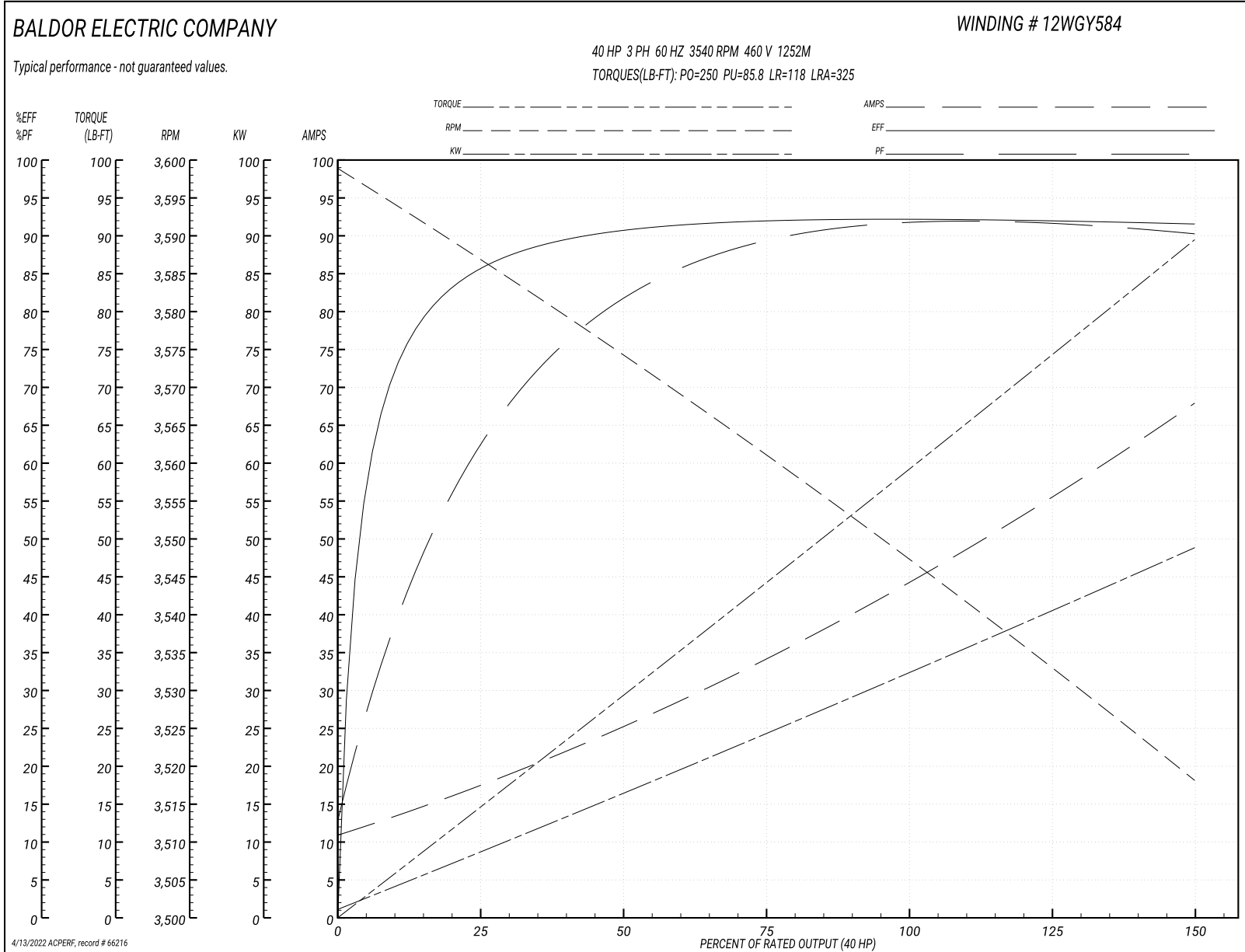
Typical performance - not guaranteed values

<b>Winding:</b> 12WGY584-R006		<b>Type:</b> 1252M		<b>Enclosure:</b> XPFC	
<b>Nameplate Data</b>			<b>460 V, 60 Hz: High Voltage Connection</b>		
<b>Rated Output (HP)</b>	40	<b>Full Load Torque</b>	59.2 LB-FT		
<b>Volts</b>	230/460	<b>Start Configuration</b>	direct on line		
<b>Full Load Amps</b>	90/45	<b>Breakdown Torque</b>	250 LB-FT		
<b>R.P.M.</b>	3540	<b>Pull-up Torque</b>	85.8 LB-FT		
<b>Hz</b>	60 <b>Phase</b>	3	<b>Locked-rotor Torque</b>	118 LB-FT	
<b>NEMA Design Code</b>	A	<b>KVA Code</b>	H	<b>Starting Current</b>	325 A
<b>Service Factor (S.F.)</b>	1		<b>No-load Current</b>	11.7 A	
<b>NEMA Nom. Eff.</b>	92.4	<b>Power Factor</b>	88	<b>Line-line Res. @ 25°C</b>	0.12 Ω
<b>Rating - Duty</b>	40C AMB-CONT		<b>Temp. Rise @ Rated Load</b>	59°C	
			<b>Locked-rotor Power Factor</b>	20.8	
			<b>Rotor inertia</b>	4.07 LB-FT <sup>2</sup>	

**Load Characteristics 460 V, 60 Hz, 40 HP**

<b>% of Rated Load</b>	<b>25</b>	<b>50</b>	<b>75</b>	<b>100</b>	<b>125</b>	<b>150</b>
<b>Power Factor</b>	67	83	89	90	91	91
<b>Efficiency</b>	84.6	90.4	91.9	92.6	92	91.5
<b>Speed</b>	3587	3574	3561	3548	3533	3518
<b>Line amperes</b>	16.4	24.7	34.4	44.7	55.9	67.4

Performance Graph at 460V, 60Hz, 40.0HP Typical performance - Not guaranteed values





**AC Induction Motor Performance Data**

Record # 75686

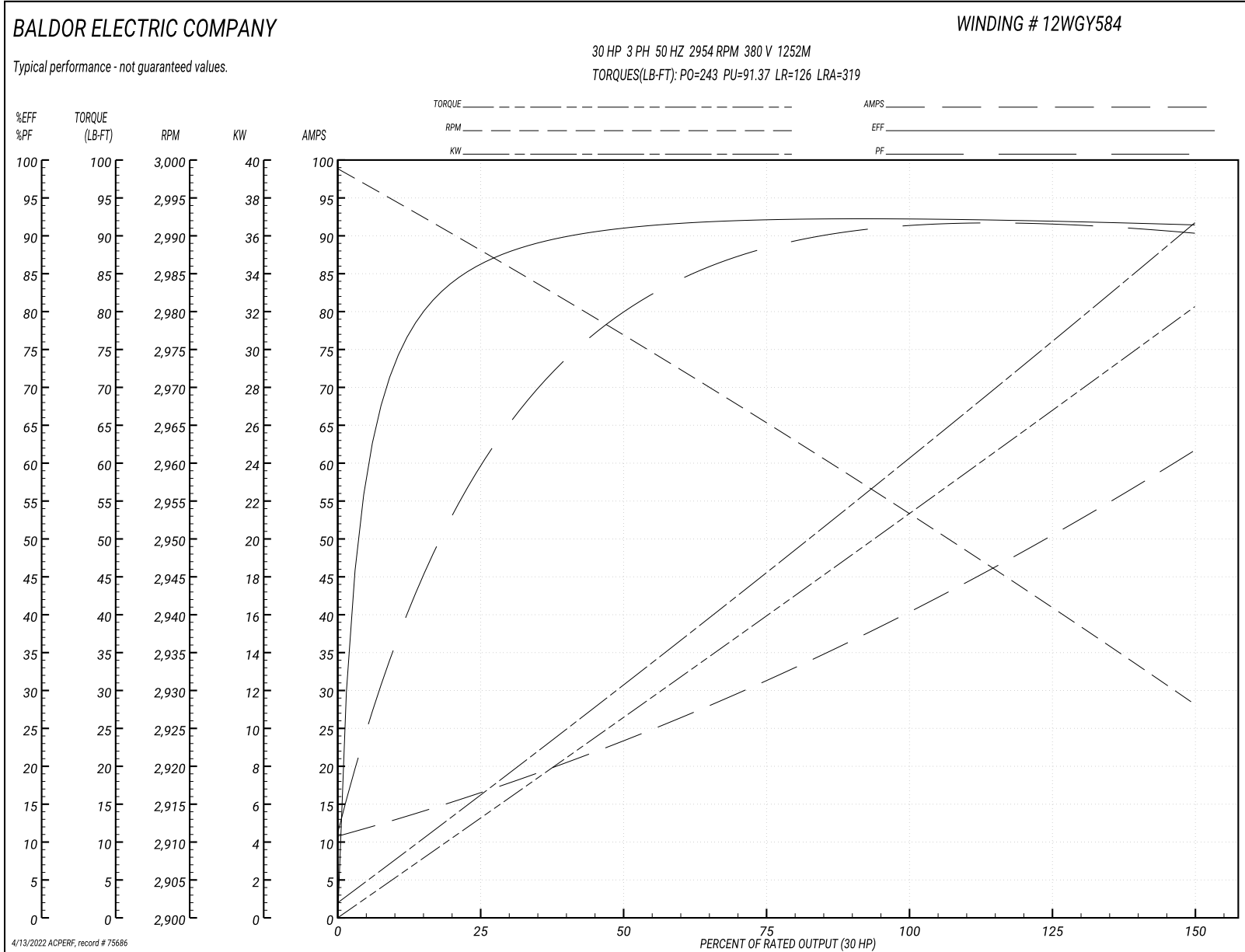
Typical performance - not guaranteed values

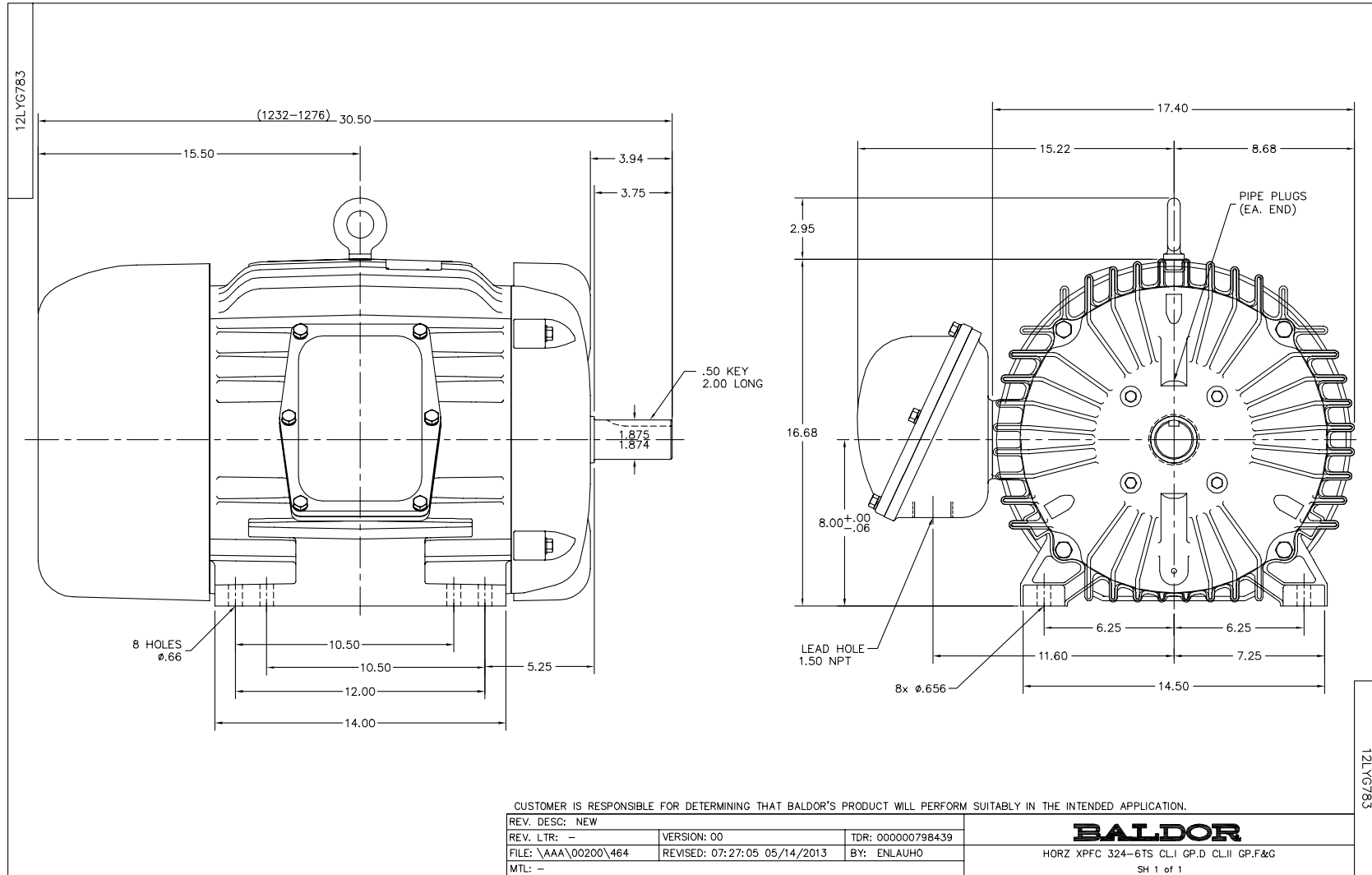
<b>Winding: 12WGY584-R003</b>		<b>Type: 1252M</b>		<b>Enclosure: XPFC</b>	
<b>Nameplate Data</b>			<b>380 V, 50 Hz: High Voltage Connection</b>		
<b>Rated Output (HP)</b>	40//30		<b>Full Load Torque</b>	53.34 LB-FT	
<b>Volts</b>	230/460//190/380		<b>Start Configuration</b>	direct on line	
<b>Full Load Amps</b>	90/45//82/41		<b>Breakdown Torque</b>	243 LB-FT	
<b>R.P.M.</b>	3540//2950		<b>Pull-up Torque</b>	91.37 LB-FT	
<b>Hz</b>	60//50	<b>Phase</b>	3	<b>Locked-rotor Torque</b>	126 LB-FT
<b>NEMA Design Code</b>	A	<b>KVA Code</b>	H	<b>Starting Current</b>	319 A
<b>Service Factor (S.F.)</b>	1		<b>No-load Current</b>	11.51 A	
<b>NEMA Nom. Eff.</b>	92.4	<b>Power Factor</b>	88	<b>Line-line Res. @ 25°C</b>	0.125 Ω
<b>Rating - Duty</b>	40C AMB-CONT		<b>Temp. Rise @ Rated Load</b>	51°C	
<b>S.F. Amps</b>			<b>Temp. Rise @ S.F. Load</b>	62°C	
			<b>Locked-rotor Power Factor</b>	23.5	
			<b>Rotor inertia</b>	4.07 LB-FT <sup>2</sup>	

**Load Characteristics 380 V, 50 Hz, 30 HP**

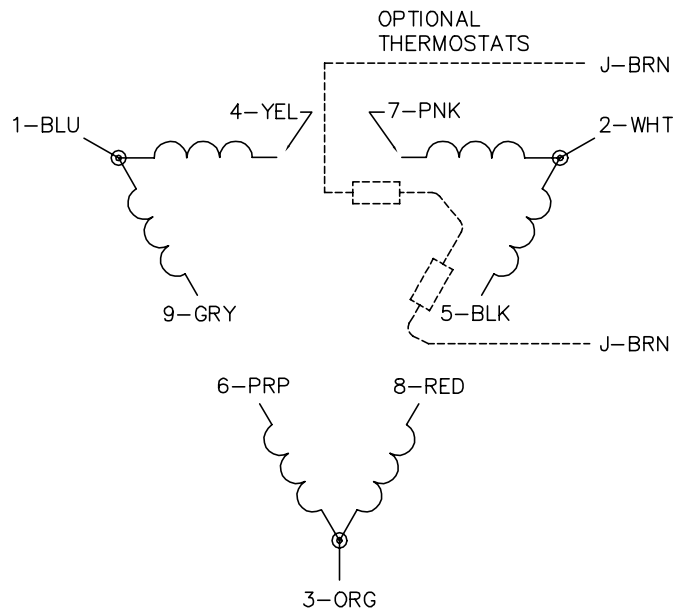
<b>% of Rated Load</b>	<b>25</b>	<b>50</b>	<b>75</b>	<b>100</b>	<b>125</b>	<b>150</b>
<b>Power Factor</b>	64	82	88	90	91	91
<b>Efficiency</b>	85.1	90.6	92	92.6	91.9	91.3
<b>Speed</b>	2988	2977	2965	2954	2941	2928
<b>Line amperes</b>	15.53	22.84	31.5	40.78	50.89	61.21

Performance Graph at 380V, 50Hz, 30.0HP Typical performance - Not guaranteed values





CD0180



LOW VOLTAGE  
(2D)



HIGH VOLTAGE  
(1D)



NOTES:

1. INTERCHANGE ANY TWO LINE LEADS TO REVERSE ROTATION.
2. OPTIONAL THERMOSTATS ARE PROVIDED WHEN SPECIFIED.
3. ACTUAL NUMBER OF INTERNAL PARALLEL CIRCUITS MAY BE A MULTIPLE OF THOSE SHOWN ABOVE.
4. LEAD COLORS ARE OPTIONAL. LEADS MUST ALWAYS BE NUMBERED AS SHOWN.

CD0180

REV. DESC: ADD CLASS CONN00000007		
REV. LTR: D	VERSION: 01	TDR: 000001099922
FILE: \AAA\00005\148	REVISED: 10:25:29 02/19/2019	BY: ENBRIRO
MTL: -	© □	

**BALDOR - RELIANCE®**

3PH, DV, 9 LEADS, DELTA CONNECTION

SH 1 of 1

Marketing maintained PDF of MN416:

<http://www.baldor.com/support/Literature/Load.ashx/MN416?ManNumber=MN416>