

BALDOR® • RELIANCE 

Product Information Packet

XM32542T

50//40HP,1775//1470RPM,3PH,60//50HZ,326T

Part Detail							
Revision:	-	Status:	PRD/A	Change #:		Proprietary:	No
Type:	AC	Elec. Spec:	12WGY141	CD Diagram:	CD0180	Mfg Plant:	
Mech. Spec:		Layout:	12LYL018	Poles:	04	Created Date:	05-12-2021
Base:		Eff. Date:	05-14-2021	Leads:	9#6		

Specs			
Catalog Number:	XM32542T	Duty Rating:	CONT
Enclosure:	XPFC	Electrically Isolated Bearing:	Not Electrically Isolated
Frame:	326T	Feedback Device:	NO FEEDBACK
Frame Material:	Iron	Heater Indicator:	No Heater
Output @ Frequency:	50.000 HP @ 60 HZ	Insulation Class:	F
	40.000 HP @ 50 HZ	Inverter Code:	Inverter Duty
Synchronous Speed @ Frequency:	1800 RPM @ 60 HZ	IP Rating:	NONE
Voltage @ Frequency:	190.0 V @ 50 HZ	KVA Code:	H
	460.0 V @ 60 HZ	Lifting Lugs:	Standard Lifting Lugs
	230.0 V @ 60 HZ	Locked Bearing Indicator:	Locked Bearing
	380.0 V @ 50 HZ	Motor Lead Termination:	Flying Leads
XP Class and Group:	CLI GP D; CLII GP F,G	Motor Type:	1272M
XP Division:	Division I	Mounting Arrangement:	F1
Agency Approvals:	UR	Power Factor:	85
	CSA EEV	Product Family:	General Purpose
	CSA	Pulley Face Code:	Standard
Auxillary Box:	No Auxillary Box	Rodent Screen:	None
Auxillary Box Lead Termination:	None	Shaft Ground Indicator:	No Shaft Grounding

Base Indicator:	Rigid	Shaft Rotation:	Reversible
Bearing Grease Type:	Polyrex EM (-20F +300F)	Speed Code:	Single Speed
Blower:	None	Motor Standards:	NEMA
Constant Torque Speed Range:	20	Starting Method:	Direct on line
Current @ Voltage:	58.000 A @ 460.0 V	Thermal Device - Bearing:	None
	56.000 A @ 380.0 V	Thermal Device - Winding:	Normally Closed Thermostat
	116.000 A @ 230.0 V	Vibration Sensor Indicator:	No Vibration Sensor
	112.000 A @ 190.0 V	Winding Thermal 1:	None
Design Code:	A	Winding Thermal 2:	None
Drip Cover:	No Drip Cover	XP Temp Code:	T3C

Nameplate NP0887XPSLEV									
NO.					CC	010A			
S/N					TEMP CODE	T3C			
SPEC.	12-0000-2168				INV. TYPE	PWM			
CAT.NO.	XM32542T				C HP FR	60		C HP TO	90
HP	50//40				CT HZ FROM	20		CT HZ TO	60
VOLTS	230/460//190/380				VT HZ FROM	6		VT HZ TO	60
AMPS	116/58//112/56				MAG CUR	19.8//19.46			
RPM	1775//1470				MX RPM	2700			
HZ	60//50	PH	3	CL	F	NOM.EFF.	94.5		
SER.F.	1.00	DES	A	SL HZ	0.8	WK2	9.59		
FRAME	326T	RATING	40C AMB-CONT						
NEMA MG-1 PART 5, IP54									
1.15 SF ON SINE WAVE									

Parts List		
Part Number	Description	Quantity
SA393550	SA 12-0000-2168	1.000 EA
RA384203	RA 12-0000-2168	1.000 EA
LB1115N	LABEL,LIFTING DEVICE (ON ROLLS)	1.000 EA
LB1119N	WARNING LABEL	1.000 EA
LC0181	CONNECTION LABEL	1.000 EA
NP0887XPSLEV	SS XP INV UL CSA-EEV CC CL-I GP-D	1.000 EA
85XU0407S04	4X1/4 U DRIVE PIN STAINLESS	4.000 EA
85XU0407S04	4X1/4 U DRIVE PIN STAINLESS	2.000 EA
MN416A01	TAG-INSTAL-MAINT no wire (2100/bx) 4/22	1.000 EA
LB1073	ALUM XP CAUTION LABEL	1.000 EA
12FH1001A01	FAN HOUSING 312 EXPLOSION PROOF MOTORS	1.000 EA
HW1001A31	LOCKWASHER 5/16, ZINC PLT.591 OD, .319 I	3.000 EA
10XN3118K12	5/16-18 X .75 GRADE 5, ZINC PLATED	3.000 EA
09FN3001C03	EXTERNAL FAN, PLASTIC (COMES W/SCREW FRO	1.000 EA
HW2500A25	WOODRUFF KEY USA #1008 #BLOW CARBON STEE	1.000 EA
MJ1000A02	GREASE, MOBIL POLYREX EM - 124047	0.200 LB
12EP1705A01	ENDPLATE, MACH. 312 - EXPLOSION PROOF 31	1.000 EA
HA3051A03	1/2-13X2.75 BLT GR8 1.75 TO E NC F/S	4.000 EA
HW1001A50	LOCKWASHER 1/2, ZINC PLT.,.879 OD, .509 I	4.000 EA
HW5100A13	W4627-047 WVY WSHER	1.000 EA
HW4500A20	1/8NPT SL PIPE PLUG	1.000 EA
HW4500A20	1/8NPT SL PIPE PLUG	1.000 EA
12EP1706A01	ENDPLATE, MACH. 312 - EXPLOSION PROOF 31	1.000 EA
HW1001A50	LOCKWASHER 1/2, ZINC PLT.,.879 OD, .509 I	4.000 EA

Parts List (continued)		
Part Number	Description	Quantity
HA3051A03	1/2-13X2.75 BLT GR8 1.75 TO E NC F/S	4.000 EA
10XN3118K40	5/16-18 X 2.75" HEX HD, GRADE 5	4.000 EA
HW1001A31	LOCKWASHER 5/16, ZINC PLT.591 OD, .319 I	4.000 EA
HW4500A20	1/8NPT SL PIPE PLUG	1.000 EA
HW4500A20	1/8NPT SL PIPE PLUG	1.000 EA
12CB1001A01	K.O.BOX, MACH X-PROOF, 1.50 NPT HOLE	1.000 EA
10XN3118K16	5/16-18 X 1' GRADE #5, STL, ZINC PLATE	4.000 EA
HW1001A31	LOCKWASHER 5/16, ZINC PLT.591 OD, .319 I	4.000 EA
WD1000B25	GND LUG, BURNDY L125HP OR T&B L125HP-BB	1.000 EA
19XW3118G08	.31-18X.50,HEX WSHR HD,TAPTITE 2,GREEN	1.000 EA
12CB1501A01	COND.BOX LID, MACH., X-PROOF, 310,312	1.000 EA
10XN3816K20	3/8-16 X 1.25 HEX HD CAP GRADE 5	6.000 EA
HW1001A38	LOCKWASHER 3/8, ZINC PLT .688 OD, .382 I	6.000 EA
MG1025G29	WILKOFAS, 789.229, DARK CHARCOAL GRAY	0.125 GA
14PA1000	PACKAGING 314 GROUP COMBINED PRINT	1.000 EA
HW2501H33	KEY, 1/2 SQ X 3.875	1.000 EA

AC Induction Motor Performance Data

Record # 42428

Typical performance - not guaranteed values

Winding: 12WGY141-R020		Type: 1272M		Enclosure: XPFC	
Nameplate Data			460 V, 60 Hz: High Voltage Connection		
Rated Output (HP)	50//40		Full Load Torque	147 LB-FT	
Volts	230/460//190/380		Start Configuration	direct on line	
Full Load Amps	116/58//112/56		Breakdown Torque	396 LB-FT	
R.P.M.	1775//1470		Pull-up Torque	183 LB-FT	
Hz	60//50	Phase	3	Locked-rotor Torque	254 LB-FT
NEMA Design Code	A	KVA Code	G	Starting Current	397 A
Service Factor (S.F.)	1		No-load Current	19.8 A	
NEMA Nom. Eff.	94.5	Power Factor	85	Line-line Res. @ 25°C	0.10889 Ω
Rating - Duty	40C AMB-CONT		Temp. Rise @ Rated Load	64°C	
			Locked-rotor Power Factor	26	
			Rotor inertia	9.59 LB-FT ²	

Load Characteristics 460 V, 60 Hz, 50 HP

% of Rated Load	25	50	75	100	125	150
Power Factor	53	74	83	86	87	87
Efficiency	91.3	94.3	94.8	94.6	94	93.1
Speed	1794.5	1789.3	1783.5	1777.5	1770.7	1761.5
Line amperes	24.2	33.5	44.7	57.6	71.5	90

Performance Graph at 460V, 60Hz, 50.0HP Typical performance - Not guaranteed values

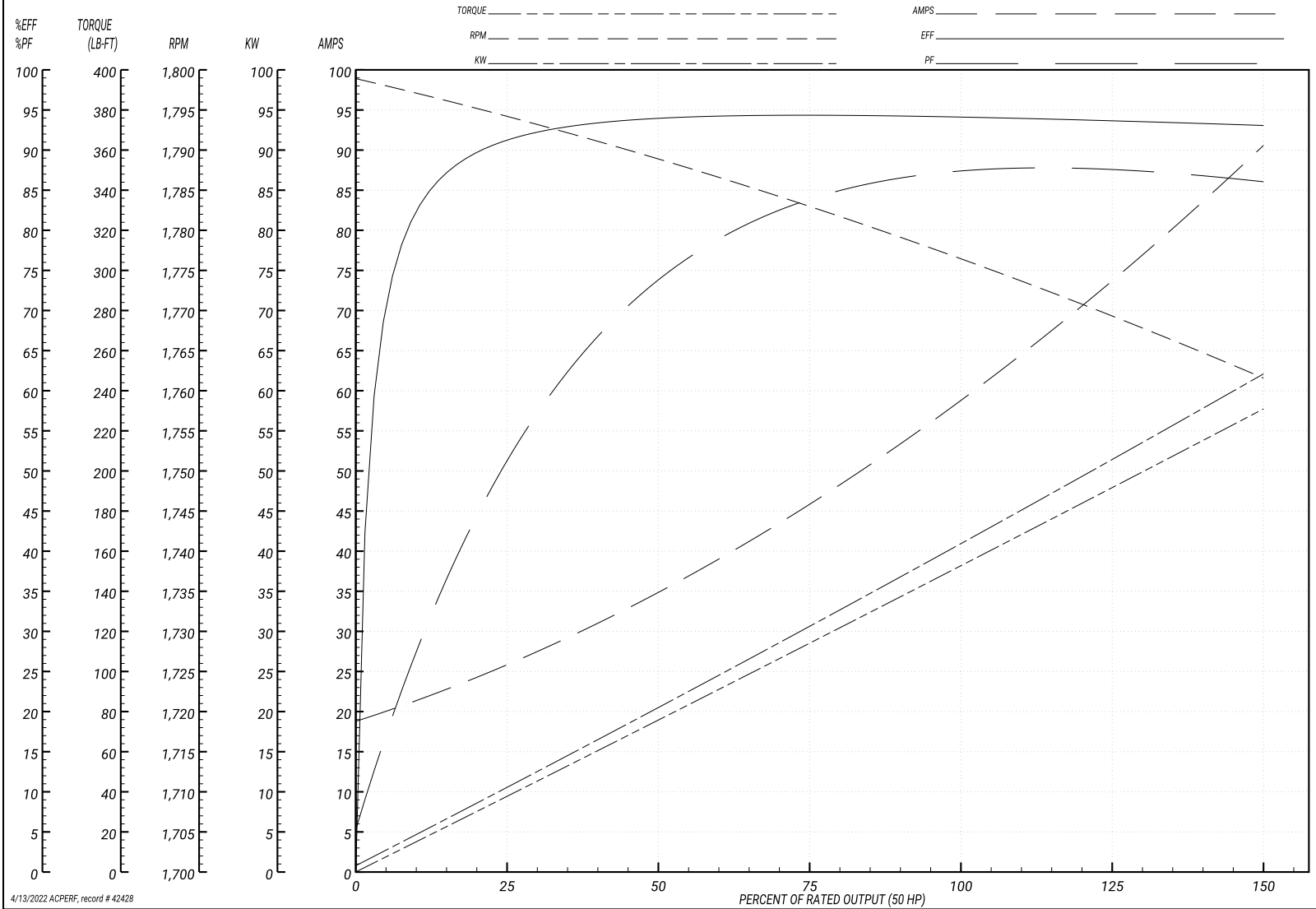
BALDOR ELECTRIC COMPANY

WINDING # 12WGY141

Typical performance - not guaranteed values.

50 HP 3 PH 60 HZ 1777.5 RPM 460 V 1272M

TORQUES(LB-FT): PO=396 PU=183 LR=254 LRA=397



4/13/2022 ACPERF, record # 42428

AC Induction Motor Performance Data

Record # 42429

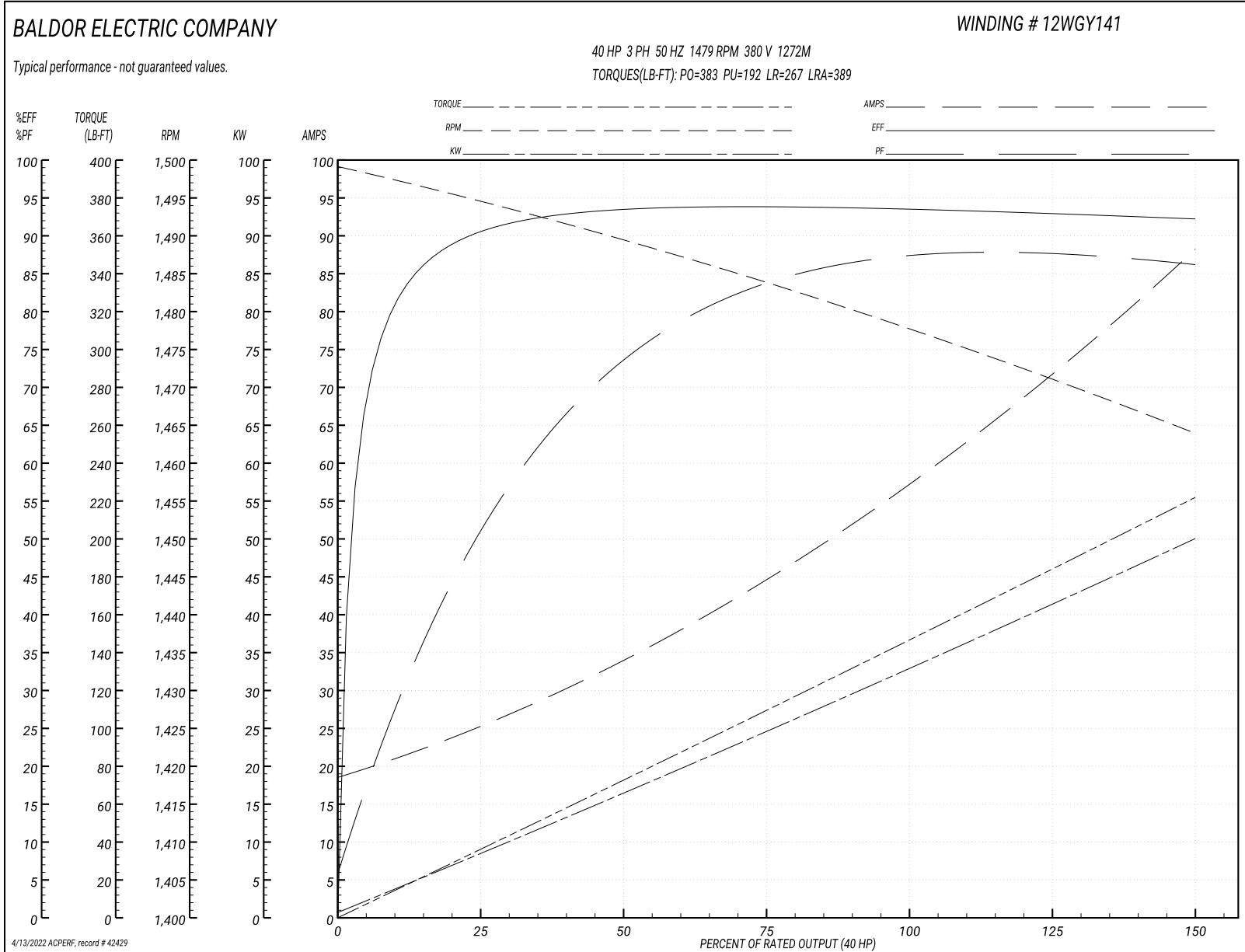
Typical performance - not guaranteed values

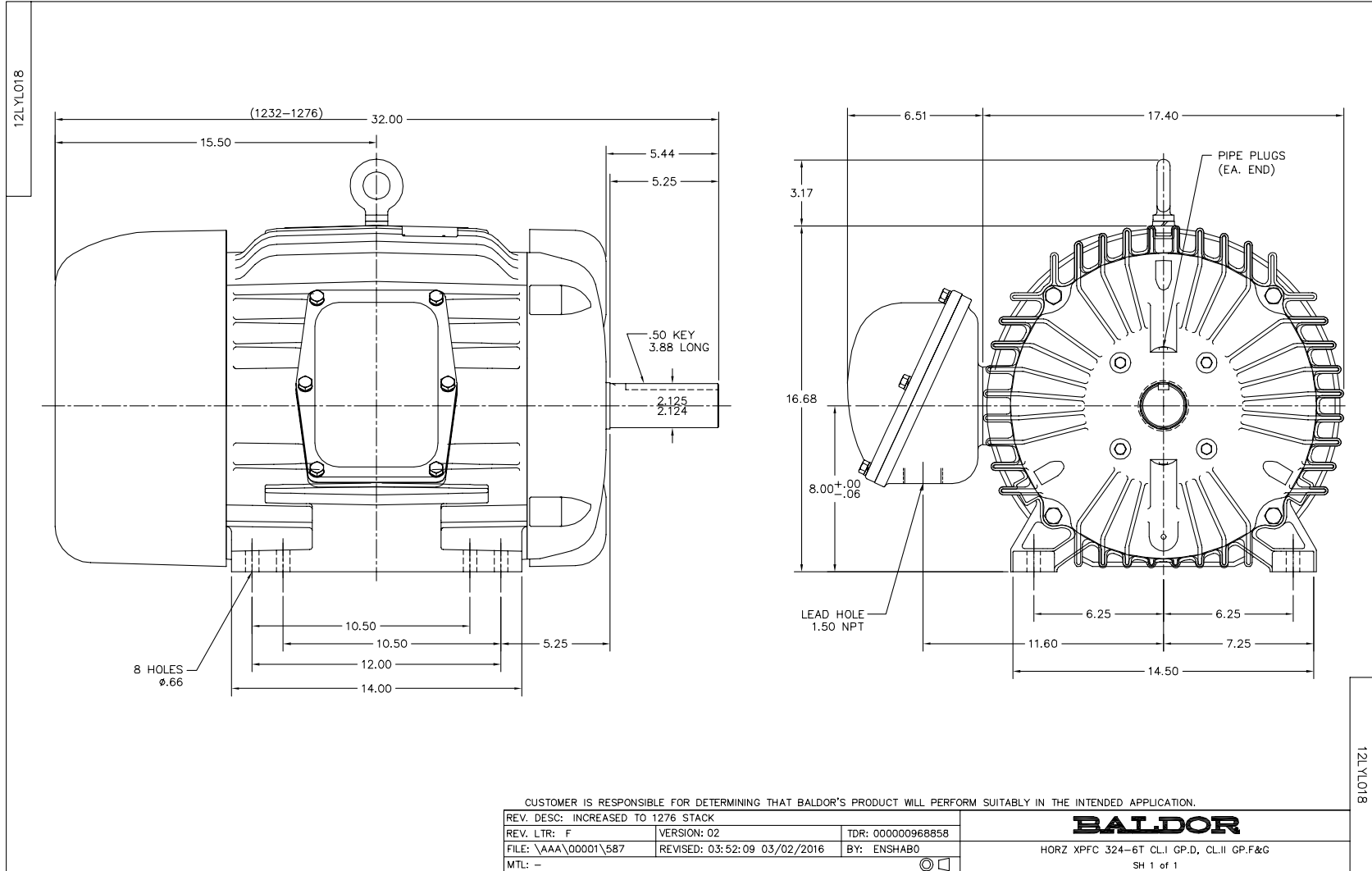
Winding: 12WGY141-R020		Type: 1272M		Enclosure: XPFC	
Nameplate Data			380 V, 50 Hz: High Voltage Connection		
Rated Output (HP)	50//40		Full Load Torque	141 LB-FT	
Volts	230/460//190/380		Start Configuration	direct on line	
Full Load Amps	116/58//112/56		Breakdown Torque	383 LB-FT	
R.P.M.	1775//1470		Pull-up Torque	192 LB-FT	
Hz	60//50	Phase	3	Locked-rotor Torque	267 LB-FT
NEMA Design Code	A	KVA Code	G	Starting Current	389 A
Service Factor (S.F.)	1		No-load Current	19.5 A	
NEMA Nom. Eff.	94.5	Power Factor	85	Line-line Res. @ 25°C	0.107 Ω
Rating - Duty	40C AMB-CONT		Temp. Rise @ Rated Load	60°C	
S.F. Amps			Temp. Rise @ S.F. Load	74°C	
			Locked-rotor Power Factor	29	
			Rotor inertia	9.59 LB-FT ²	

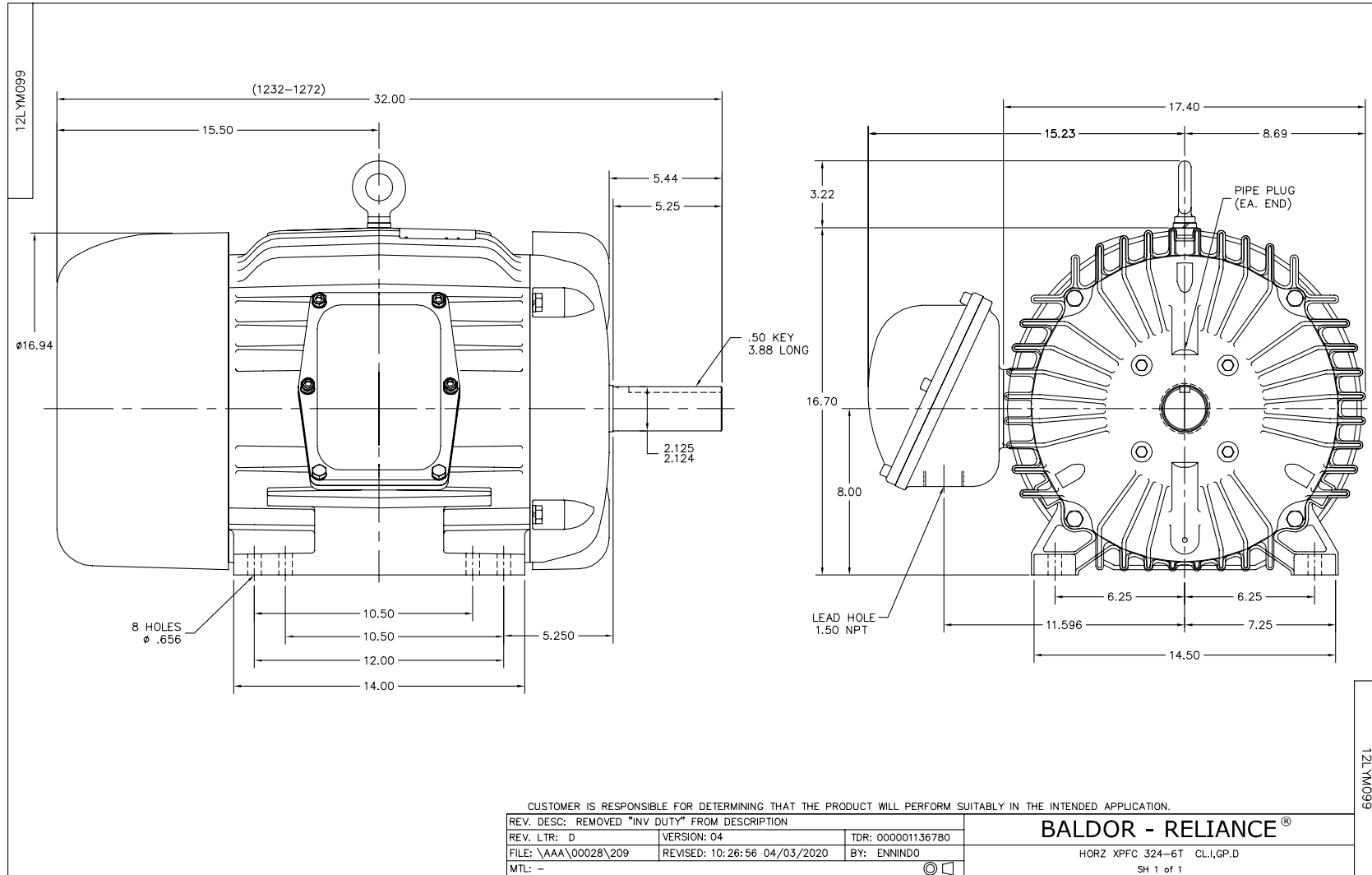
Load Characteristics 380 V, 50 Hz, 40 HP

% of Rated Load	25	50	75	100	125	150
Power Factor	52	74	83	86	87	87
Efficiency	90	93.7	93.7	93.5	93.2	92.2
Speed	1495	1490	1484	1479	1472	1464
Line amperes	23.7	32.7	43.6	56.1	69.6	87.7

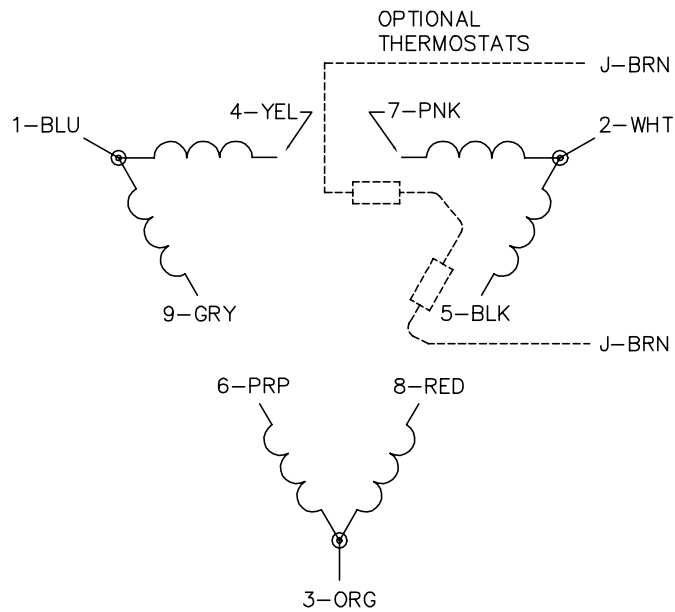
Performance Graph at 380V, 50Hz, 40.0HP Typical performance - Not guaranteed values



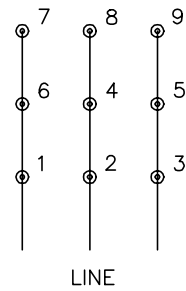




CD0180



LOW VOLTAGE
(2D)



HIGH VOLTAGE
(1D)



NOTES:

1. INTERCHANGE ANY TWO LINE LEADS TO REVERSE ROTATION.
2. OPTIONAL THERMOSTATS ARE PROVIDED WHEN SPECIFIED.
3. ACTUAL NUMBER OF INTERNAL PARALLEL CIRCUITS MAY BE A MULTIPLE OF THOSE SHOWN ABOVE.
4. LEAD COLORS ARE OPTIONAL. LEADS MUST ALWAYS BE NUMBERED AS SHOWN.

CD0180

REV. DESC: ADD CLASS CONN00000007		
REV. LTR: D	VERSION: 01	TDR: 000001099922
FILE: \AAA\00005\148	REVISED: 10:25:29 02/19/2019	BY: ENBRIRO
MTL: -	© □	

BALDOR - RELIANCE®

3PH, DV, 9 LEADS, DELTA CONNECTION

SH 1 of 1

Marketing maintained PDF of MN416:

<http://www.baldor.com/support/Literature/Load.ashx/MN416?ManNumber=MN416>