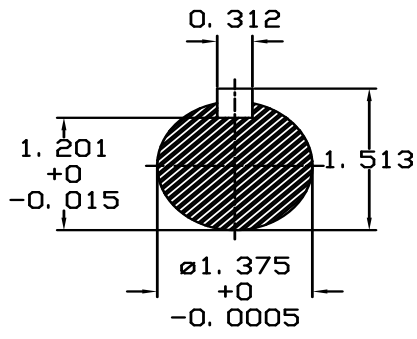
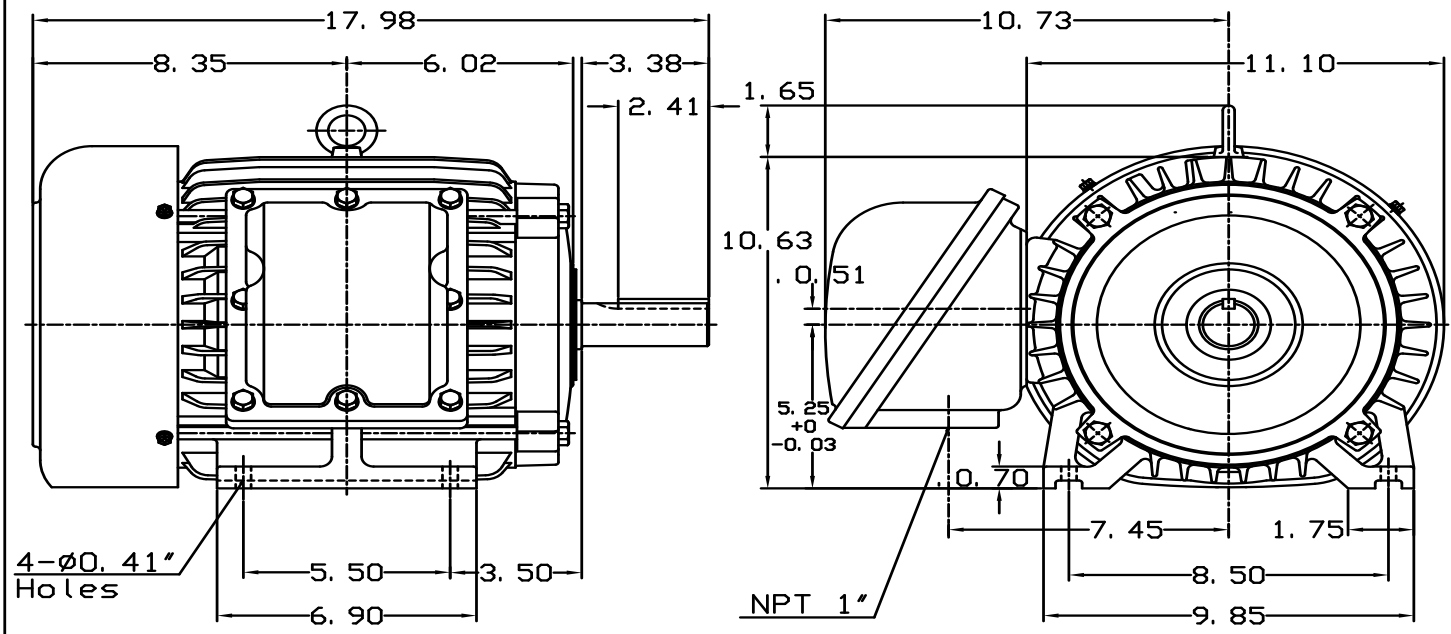


DATE MAY 18, 2012	OUTLINE DIMENSIONS 3-PHASE INDUCTION MOTOR	MOTOR TYPE: AEHHXV
CATALOG NO. XP0028		FRAME NO. 213T

Pole	HP	KW	Hz	VOLT	Syn. Speed RPM
8	2	1.5	60	230/460	900

Ins	Rating	Dimension in	Approx Weight	Bearings	
F	CONT.	inches	187 lbs.	DE: 6308ZZ	NDE: 6306ZZ

Totally Enclosed Fan-Cooled Type. Squirrel-Cage Rotor.



NOTE:
1. EXPLOSION PROOF:
CLASS I GROUP C, D AND
CLASS II GROUP E, F, G.

<table border="1"> <tr> <td>DWN.</td> <td>J. H. LIANG</td> <td>11-12-98</td> </tr> <tr> <td>CHKD.</td> <td>C. S. LO</td> <td>11-23-98</td> </tr> <tr> <td>APPD.</td> <td>Y. B. HUANG</td> <td>11-23-98</td> </tr> </table>	DWN.	J. H. LIANG	11-12-98	CHKD.	C. S. LO	11-23-98	APPD.	Y. B. HUANG	11-23-98		DWG NO. 31049H822012
DWN.	J. H. LIANG	11-12-98									
CHKD.	C. S. LO	11-23-98									
APPD.	Y. B. HUANG	11-23-98									

TECO Westinghouse

ISSUED 05/28/14	PERFORMANCE DATA	ENCLOSURE TEFC
TYPE AEHHXV	3-PHASE INDUCTION MOTOR	CATALOG# XP0028

NAMEPLATE INFORMATION

OUTPUT		POLE	FRAME SIZE	VOLTAGE	HZ	RATED AMBIENT	INS. CLASS	NEMA DESIGN	TIME RATING	SERVICE FACTOR
HP	KW									
2	2	8	213T	460	60	40°C	F	B	CONT.	1.15

TYPICAL PERFORMANCE

FULL LOAD RPM	EFFICIENCY				POWER FACTOR			MAXIMUM POWER FACTOR CORRECTION
	FULL LOAD		3/4 LOAD %	1/2 LOAD %	F. L. %	3/4 LOAD %	1/2 LOAD %	
	MIN. %	NOM. %						
865	82.5	85.5	84.0	82.5	64.0	55.0	42.5	2 KVAR

CURRENTS

NO LOAD	FULL LOAD	LOCKED ROTOR	NEMA KVA CODE LETTER
230/460	230/460	230/460	
4.72/2.36	6.84/3.42	50/25	

TORQUE

INERTIA

ACCEL TIME

FULL LOAD lb-ft	LOCKED ROTOR %FLT	PULL UP %FLT	BREAK DOWN %FLT	ROTOR WR ² lb-ft ²	NEMA LOAD WK ² lb-ft ²	MAX ALLOWABLE WK ² lb-ft ²	NEMA LOAD WK ² Sec	MAX ALLOWABLE WK ² Sec
12.14	225	200	275	0.586	59	285	6.02	28.83

SAFE STALL TIME IN SECONDS

ALLOWABLE STARTS PER HOUR

SOUND PRESSURE LEVEL @ 3 FT dB(A)

COLD	HOT	COLD	HOT	52
80	56	2	1	

APPROVED:	M. PRATER	DRAWING NO.	31057XP0028	REVISION 0
-----------	------------------	-------------	--------------------	-------------------

DATE:
May 14, 2011

CONNECTION DIAGRAM

CATALOG NO.:
XP0028



SCHEMATIC - 2Y/Y CONNECTION

ACROSS THE LINE CONNECTION



**LINE
230 VOLT CONNECTION**



**LINE
460 VOLT CONNECTION**