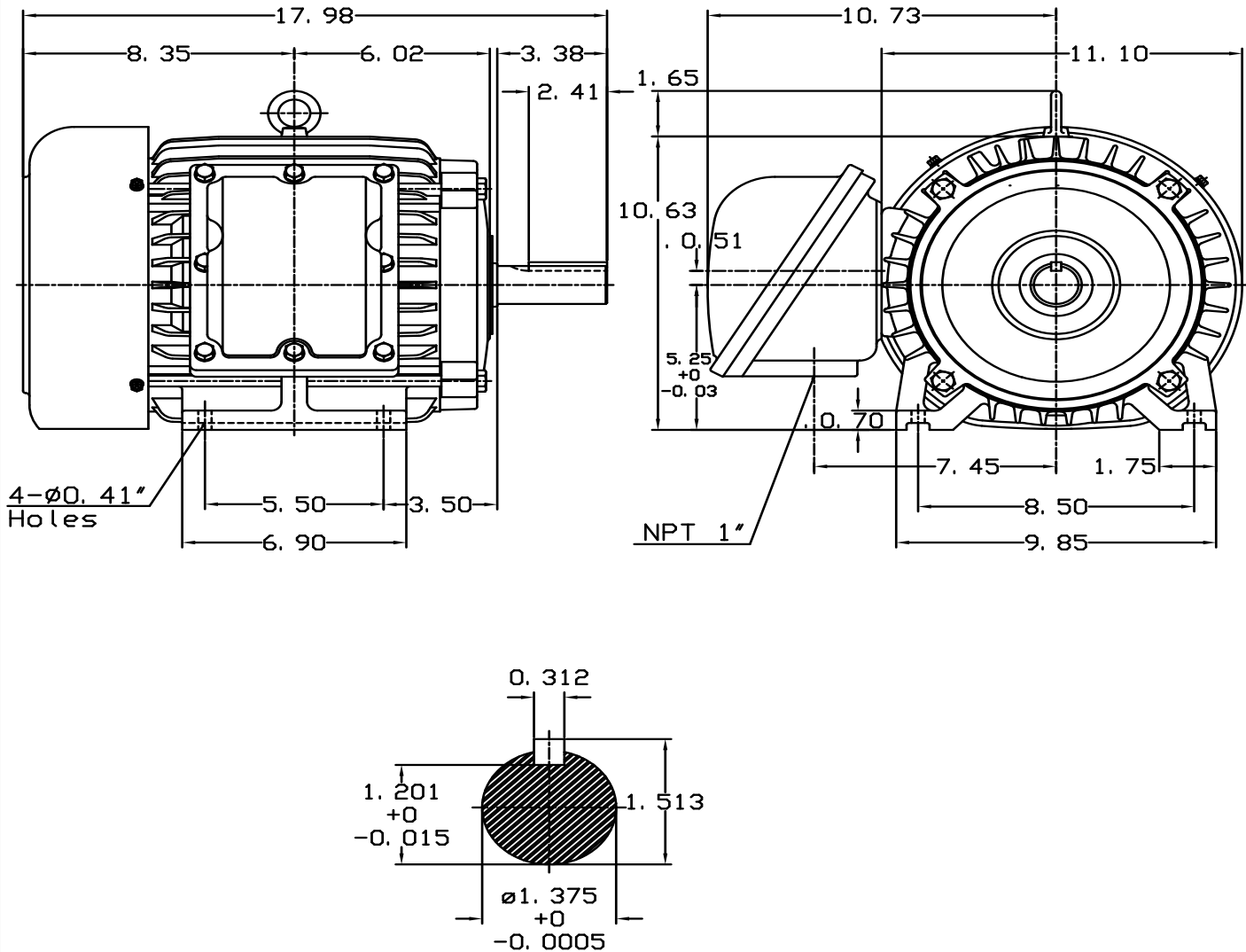


|                       |  |                                               |  |                       |  |
|-----------------------|--|-----------------------------------------------|--|-----------------------|--|
| DATE<br>MAY 18, 2011  |  | OUTLINE DIMENSIONS<br>3-PHASE INDUCTION MOTOR |  | MOTOR TYPE:<br>AEHHXV |  |
| CATALOG NO.<br>XPO036 |  |                                               |  | FRAME NO. 213T        |  |

|      |        |              |               |            |                   |
|------|--------|--------------|---------------|------------|-------------------|
| Pole | HP     | KW           | Hz            | VOLT       | Syn. Speed<br>RPM |
| 6    | 3      | 2.24         | 60            | 230/460    | 1200              |
| Ins  | Rating | Dimension in | Approx Weight | Bearings   |                   |
| F    | CONT.  | inches       | 187 lbs.      | DE: 6308ZZ | NDE: 6306ZZ       |

Totally Enclosed Fan-Cooled Type, Squirrel-Cage Rotor.



NOTE:  
1. EXPLOSION PROOF:  
CLASS I GROUP C, D AND  
CLASS II GROUP E, F, G.

|       |             |          |
|-------|-------------|----------|
| DWN.  | J. H. LIANG | 11-12-98 |
| CHKD. | C. S. LO    | 11-23-98 |
| APPD. | Y. B. HUANG | 11-23-98 |

TECO   Westinghouse

DWG NO.  
31049H822012

# TECO Westinghouse

|                               |                                |                                     |
|-------------------------------|--------------------------------|-------------------------------------|
| ISSUED<br><b>May 28, 2014</b> | <b>PERFORMANCE DATA</b>        | ENCLOSURE<br><b>EXPLOSION PROOF</b> |
| TYPE<br><b>AEHHXV</b>         | <b>3-PHASE INDUCTION MOTOR</b> | CATALOG#<br><b>XP0036</b>           |

### NAMEPLATE INFORMATION

| OUTPUT   |            | POLE     | FRAME SIZE  | VOLTAGE        | HZ        | RATED AMBIENT | INS. CLASS | NEMA DESIGN | TIME RATING  | SERVICE FACTOR |
|----------|------------|----------|-------------|----------------|-----------|---------------|------------|-------------|--------------|----------------|
| HP       | KW         |          |             |                |           |               |            |             |              |                |
| <b>3</b> | <b>2.2</b> | <b>6</b> | <b>213T</b> | <b>230/460</b> | <b>60</b> | <b>40°C</b>   | <b>F</b>   | <b>B</b>    | <b>CONT.</b> | <b>1.15</b>    |

### TYPICAL PERFORMANCE

| FULL LOAD RPM | EFFICIENCY  |             |            |            | POWER FACTOR |             |            | MAXIMUM POWER FACTOR CORRECTION |
|---------------|-------------|-------------|------------|------------|--------------|-------------|------------|---------------------------------|
|               | FULL LOAD   |             | 3/4 LOAD % | 1/2 LOAD % | F. L. %      | 3/4 LOAD %  | 1/2 LOAD % |                                 |
|               | MIN. %      | NOM. %      |            |            |              |             |            |                                 |
| <b>1170</b>   | <b>87.5</b> | <b>89.5</b> | <b>90</b>  | <b>88</b>  | <b>80</b>    | <b>73.5</b> | <b>61</b>  | <b>1.6 KVAR</b>                 |

### CURRENTS

| NO LOAD     |             |             | FULL LOAD   |             |             | LOCKED ROTOR |              |              | NEMA KVA CODE LETTER |
|-------------|-------------|-------------|-------------|-------------|-------------|--------------|--------------|--------------|----------------------|
| AT          | AT          | AT          | AT          | AT          | AT          | AT           | AT           | AT           |                      |
| 208 VOLT    | 230 VOLT    | 460 VOLT    | 208 VOLT    | 230 VOLT    | 460 VOLT    | 208 VOLT     | 230 VOLT     | 460 VOLT     |                      |
| <b>4.47</b> | <b>4.04</b> | <b>2.02</b> | <b>8.67</b> | <b>7.84</b> | <b>3.92</b> | <b>70.77</b> | <b>64.00</b> | <b>32.00</b> | <b>K</b>             |

### TORQUE

### INERTIA

### ACCEL TIME

| FULL LOAD lb-ft | LOCKED ROTOR %FLT | PULL UP %FLT | BREAK DOWN %FLT | ROTOR WR <sup>2</sup> lb-ft <sup>2</sup> | NEMA LOAD WK <sup>2</sup> lb-ft <sup>2</sup> | MAX ALLOWABLE WK <sup>2</sup> lb-ft <sup>2</sup> | NEMA LOAD WK <sup>2</sup> Sec | MAX ALLOWABLE WK <sup>2</sup> Sec |
|-----------------|-------------------|--------------|-----------------|------------------------------------------|----------------------------------------------|--------------------------------------------------|-------------------------------|-----------------------------------|
| <b>13.46</b>    | <b>200</b>        | <b>155</b>   | <b>315</b>      | <b>0.836</b>                             | <b>44</b>                                    | <b>288.00</b>                                    | <b>5.25</b>                   | <b>33.85</b>                      |

SAFE STALL TIME IN SECONDS

ALLOWABLE STARTS PER HOUR

SOUND PRESSURE LEVEL @ 3 FT dB(A)

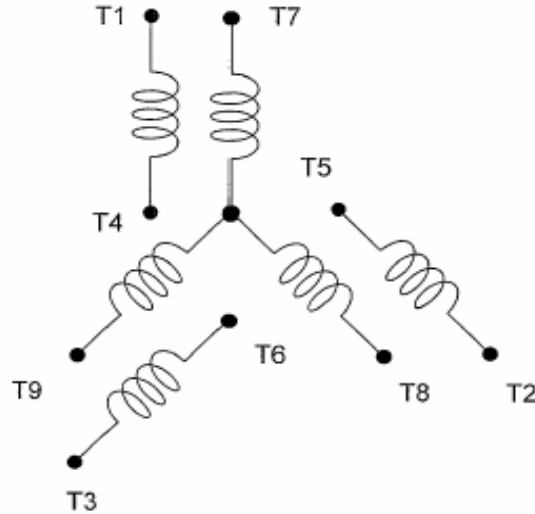
| COLD      | HOT       | COLD     | HOT      | 53 |
|-----------|-----------|----------|----------|----|
| <b>87</b> | <b>61</b> | <b>2</b> | <b>1</b> |    |

|           |                  |             |                    |                   |
|-----------|------------------|-------------|--------------------|-------------------|
| APPROVED: | <b>M. PRATER</b> | DRAWING NO. | <b>31057XP0036</b> | REVISION <b>0</b> |
|-----------|------------------|-------------|--------------------|-------------------|

DATE:  
May 14, 2011

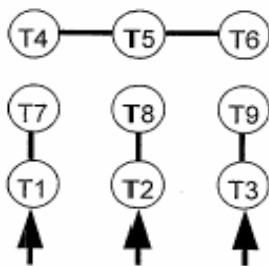
# CONNECTION DIAGRAM

CATALOG NO.:  
XP0036

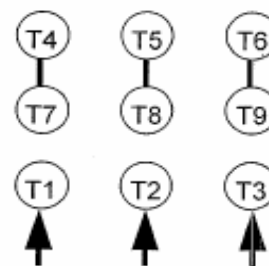


**SCHEMATIC - 2Y/Y CONNECTION**

## ACROSS THE LINE CONNECTION



**LINE  
230 VOLT CONNECTION**



**LINE  
460 VOLT CONNECTION**