

DATE  
JULY 15, 2013  
CATALOG NO.  
XP0508

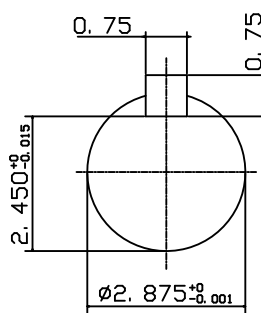
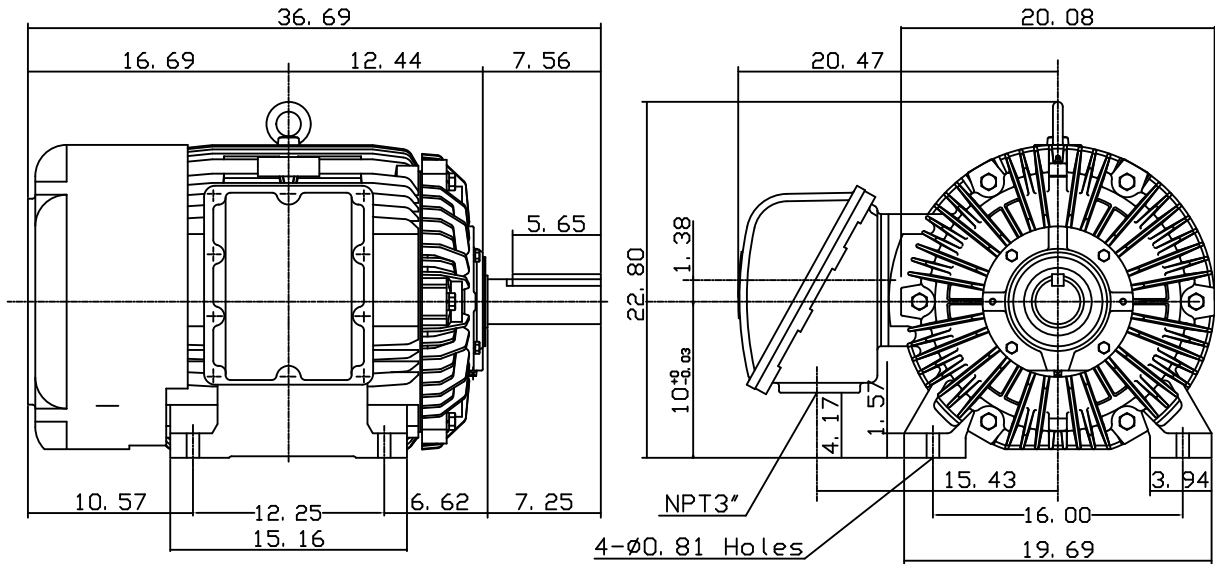
OUTLINE DIMENSIONS  
3-PHASE INDUCTION MOTOR

MOTOR TYPE:  
AEHHXU  
FRAME NO. 404T

| Pole | HP | KW   | Hz | VOLT    | RPM |
|------|----|------|----|---------|-----|
| 8    | 50 | 37.3 | 60 | 230/460 | 900 |

| Ins | Rating | Dimension in | Approx Weight | Bearings |           |
|-----|--------|--------------|---------------|----------|-----------|
| F   | CONT.  | inches       | 1287 lbs.     | DE: 6317 | NDE: 6313 |

Totally Enclosed Fan-Cooled Type, Squirrel-cage Rotor.



Note:  
1. EXPLOSION-PROOF:  
CLASS I GROUP D AND  
CLASS II GROUP E,F,G.

Note:  
1. EXPLOSION-PROOF:  
Class I GROUP D AND  
CLASS II GROUP E,F,G.

WC0293-1

|       |             |          |
|-------|-------------|----------|
| DWN.  | G. L. GUD   | 06-19-00 |
| CHKD. | C. H. KAD   | 06-22-00 |
| APPD. | Y. B. HUANG | 06-22-00 |

TECO Westinghouse

DWG NO.  
31049M633050

# TECO Westinghouse

|                                  |                                |                           |
|----------------------------------|--------------------------------|---------------------------|
| ISSUED<br><b>August 20, 2013</b> | <b>PERFORMANCE DATA</b>        | ENCLOSURE<br><b>TEFC</b>  |
| TYPE<br><b>AEHHXU</b>            | <b>3-PHASE INDUCTION MOTOR</b> | CATALOG#<br><b>XP0508</b> |

### NAMEPLATE INFORMATION

| OUTPUT      |              | POLE     | FRAME SIZE  | VOLTAGE        | HZ        | RATED AMBIENT | INS. CLASS | NEMA DESIGN | TIME RATING  | SERVICE FACTOR |
|-------------|--------------|----------|-------------|----------------|-----------|---------------|------------|-------------|--------------|----------------|
| HP          | KW           |          |             |                |           |               |            |             |              |                |
| <b>50.0</b> | <b>37.30</b> | <b>8</b> | <b>404T</b> | <b>230/460</b> | <b>60</b> | <b>40°C</b>   | <b>F</b>   | <b>C</b>    | <b>CONT.</b> | <b>1.15</b>    |

### TYPICAL PERFORMANCE

| FULL LOAD RPM | EFFICIENCY  |           |             |            | POWER FACTOR |            |             | MAXIMUM POWER FACTOR CORRECTION |
|---------------|-------------|-----------|-------------|------------|--------------|------------|-------------|---------------------------------|
|               | FULL LOAD   |           | 3/4 LOAD %  | 1/2 LOAD % | F. L. %      | 3/4 LOAD % | 1/2 LOAD %  |                                 |
|               | MIN. %      | NOM. %    |             |            |              |            |             |                                 |
| <b>885</b>    | <b>91.7</b> | <b>93</b> | <b>93.6</b> | <b>93</b>  | <b>80.5</b>  | <b>77</b>  | <b>67.5</b> | <b>20 KVAR</b>                  |

### CURRENTS

| NO LOAD      |              |              | FULL LOAD     |               |              | LOCKED ROTOR  |               |               | NEMA KVA CODE LETTER |
|--------------|--------------|--------------|---------------|---------------|--------------|---------------|---------------|---------------|----------------------|
| AT           | AT           | AT           | AT            | AT            | AT           | AT            | AT            | AT            |                      |
| 208 VOLT     | 230 VOLT     | 460 VOLT     | 208 VOLT      | 230 VOLT      | 460 VOLT     | 208 VOLT      | 230 VOLT      | 460 VOLT      |                      |
| <b>54.18</b> | <b>49.00</b> | <b>24.50</b> | <b>138.30</b> | <b>125.07</b> | <b>62.54</b> | <b>801.68</b> | <b>725.00</b> | <b>362.50</b> | <b>G</b>             |

### TORQUE

### INERTIA

### ACCEL TIME

| FULL LOAD lb-ft | LOCKED ROTOR %FLT | PULL UP %FLT | BREAK DOWN %FLT | ROTOR WR <sup>2</sup> lb-ft <sup>2</sup> | NEMA LOAD WK <sup>2</sup> lb-ft <sup>2</sup> | MAX ALLOWABLE WK <sup>2</sup> lb-ft <sup>2</sup> | NEMA LOAD WK <sup>2</sup> Sec | MAX ALLOWABLE WK <sup>2</sup> Sec |
|-----------------|-------------------|--------------|-----------------|--|--|--|-------------------------------|-----------------------------------|
|                 |                   |              |                 |  |  |  |                               |                                   |

| SAFE STALL TIME IN SECONDS |           | ALLOWABLE STARTS PER HOUR |          | SOUND PRESSURE LEVEL @ 3 FT dB(A) |
|----------------------------|-----------|---------------------------|----------|-----------------------------------|
| COLD                       | HOT       | COLD                      | HOT      |                                   |
| <b>26</b>                  | <b>18</b> | <b>2</b>                  | <b>1</b> |                                   |

|           |                  |             |                    |                   |
|-----------|------------------|-------------|--------------------|-------------------|
| APPROVED: | <b>M. PRATER</b> | DRAWING NO. | <b>31057XP0508</b> | REVISION <b>0</b> |
|-----------|------------------|-------------|--------------------|-------------------|

DATE:  
May 14, 2011

# CONNECTION DIAGRAM

CATALOG NO.:  
XP0508



**SCHEMATIC -  $\Delta$  / Y CONNECTION**

## ACROSS THE LINE CONNECTION



**LINE  
230 VOLT CONNECTION**



**LINE  
460 VOLT CONNECTION**

**\*CONTACT TWMC IF YOU HAVE ANY QUESTIONS  
REGARDING THE MOTOR CONNECTION.**

**PH: 1-800-873-8326**