

DATE
APRIL 5, 2012
CAT. #: XP0602C

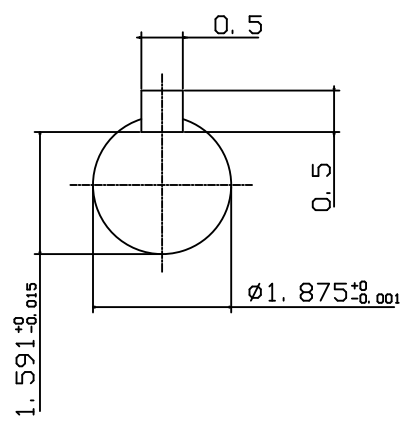
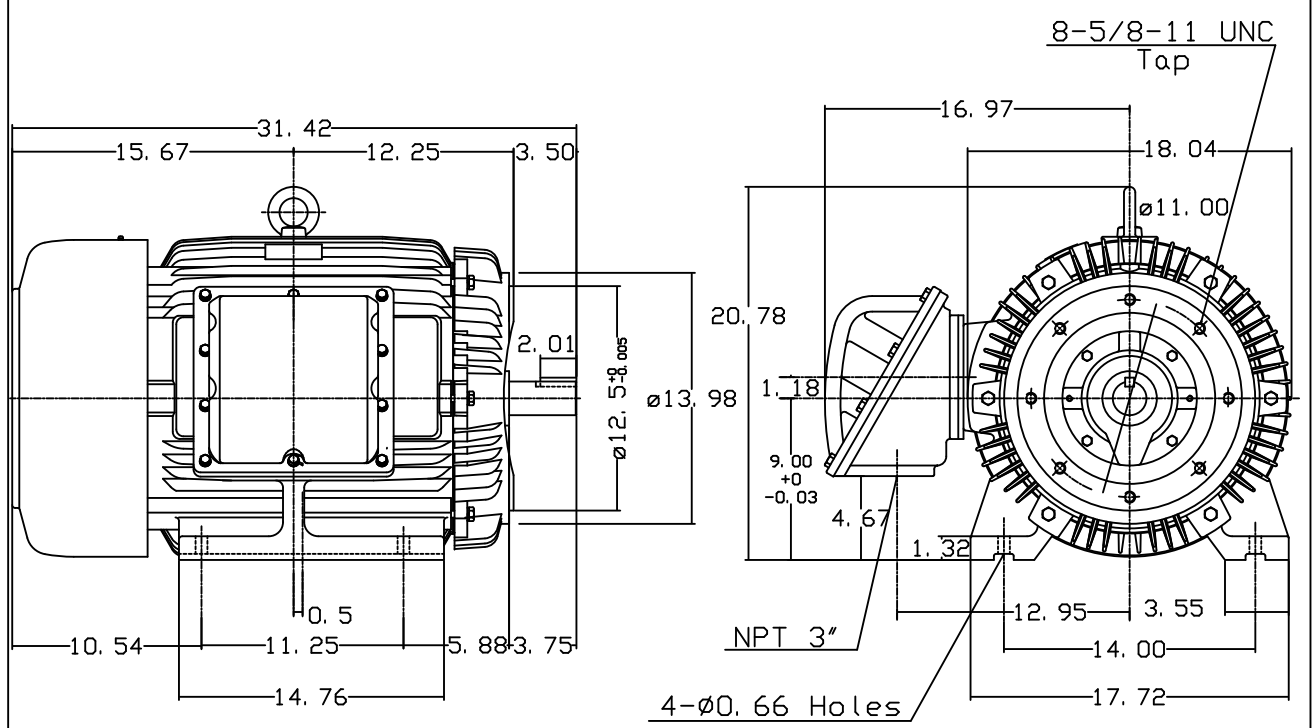
OUTLINE DIMENSIONS
3-PHASE INDUCTION MOTOR

MOTOR TYPE:
AEHHXF
FRAME NO. 364TSC

| Pole | HP | KW | Hz | VOLT | Syn. Speed r/min(rpm) |
|------|----|----|----|---------|--------------------------|
| 2 | 60 | 45 | 60 | 230/460 | 3600 |

| Ins | Rating | Dimension in | Approx Weight | Bearings |
|-----|--------|--------------|---------------|------------------------|
| F | CONT. | inches | 920 LBS | DE: 6312C3 NDE: 6212C3 |

Totally Enclosed Fan-Cooled Type. Squirrel-cage Rotor.



Note:
1. Explosion proof:
Class I Group D and
Class II Group E, F, G.

| | | |
|-------|-------------|----------|
| DWN. | J. H. LIANG | 11-30-00 |
| CHKD. | C. H. KAO | 03-16-01 |
| APPD. | Y. B. HUANG | 03-16-01 |



DWG NO.
31049M631240

TECO Westinghouse

| | | |
|-------------------------------|--------------------------------|-------------------------------------|
| ISSUED May 14, 2011 | PERFORMANCE DATA | ENCLOSURE EXPLOSION PROOF |
| TYPE AEHXXF | 3-PHASE INDUCTION MOTOR | CATALOG# XP0602C |

NAMEPLATE INFORMATION

| OUTPUT | | POLE | FRAME SIZE | VOLTAGE | HZ | RATED AMBIENT | INS. CLASS | NEMA DESIGN | TIME RATING | SERVICE FACTOR |
|-----------|-------------|----------|---------------|----------------|-----------|---------------|------------|-------------|--------------|----------------|
| HP | KW | | | | | | | | | |
| 60 | 44.8 | 2 | 364TSC | 230/460 | 60 | 40°C | F | B | CONT. | 1.15 |

TYPICAL PERFORMANCE

| FULL LOAD RPM | EFFICIENCY | | | | POWER FACTOR | | | MAXIMUM POWER FACTOR CORRECTION |
|---------------|-------------|-------------|-----------|-----------|--------------|-----------|-------------|---------------------------------|
| | FULL LOAD | | 3/4 LOAD | 1/2 LOAD | F. L. | 3/4 LOAD | 1/2 LOAD | |
| | MIN. % | NOM. % | | | | | | |
| 3550 | 92.4 | 93.6 | 94 | 94 | 93 | 92 | 89.5 | 8.3 KVAR |

CURRENTS

| NO LOAD | | | FULL LOAD | | | LOCKED ROTOR | | | NEMA KVA CODE LETTER |
|--------------|--------------|--------------|---------------|---------------|--------------|---------------|---------------|---------------|----------------------|
| AT | AT | AT | AT | AT | AT | AT | AT | AT | |
| 208 VOLT | 230 VOLT | 460 VOLT | 208 VOLT | 230 VOLT | 460 VOLT | 208 VOLT | 230 VOLT | 460 VOLT | |
| 23.00 | 20.80 | 10.40 | 142.64 | 129.00 | 64.50 | 962.02 | 870.00 | 435.00 | G |

TORQUE

INERTIA

ACCEL TIME

| FULL LOAD lb-ft | LOCKED ROTOR %FLT | PULL UP %FLT | BREAK DOWN %FLT | ROTOR WR ² lb-ft ² | NEMA LOAD WK ² lb-ft ² | MAX ALLOWABLE WK ² lb-ft ² | NEMA LOAD WK ² Sec | MAX ALLOWABLE WK ² Sec |
|-----------------|-------------------|--------------|-----------------|--|--|--|-------------------------------|-----------------------------------|
| 88.74 | 145 | 115 | 290 | 7.379 | 58 | 143.00 | 4.04 | 9.30 |

SAFE STALL TIME IN SECONDS

ALLOWABLE STARTS PER HOUR

SOUND PRESSURE LEVEL @ 3 FT dB(A)

COLD

HOT

COLD

HOT

17

12

2

1

78

APPROVED:

M. PRATER

DRAWING NO.

31057XP0602C

REVISION **0**

DATE:
May 14, 2011

CONNECTION DIAGRAM

CATALOG NO.:
XP0602



SCHEMATIC - Δ / Y CONNECTION

ACROSS THE LINE CONNECTION



LINE
230 VOLT CONNECTION



LINE
460 VOLT CONNECTION

***CONTACT TWMC IF YOU HAVE ANY QUESTIONS
REGARDING THE MOTOR CONNECTION.**

PH: 1-800-873-8326