

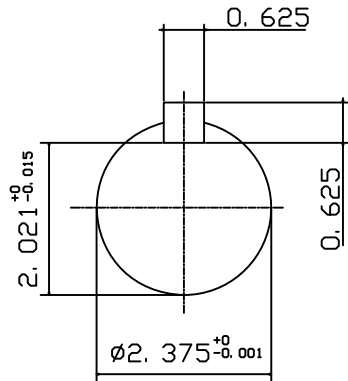
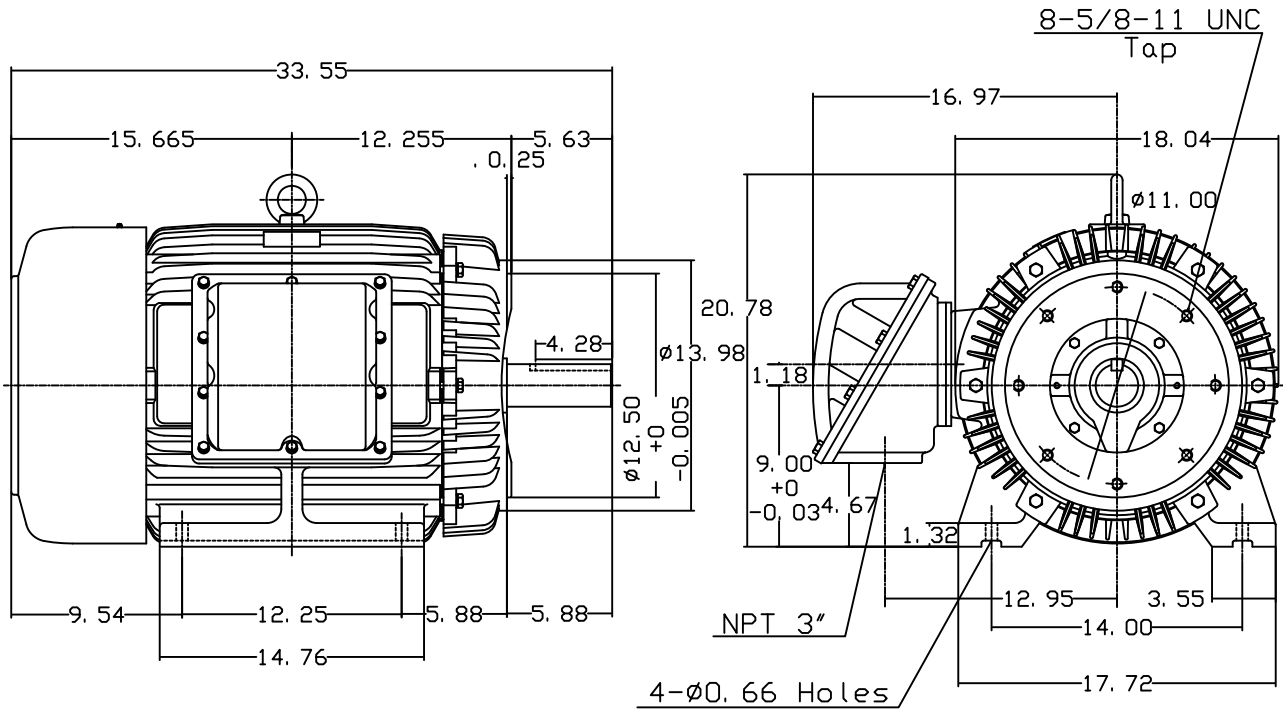
DATE
APRIL 6, 2007
CAT. #: XP0754C

OUTLINE DIMENSIONS
3-PHASE INDUCTION MOTOR

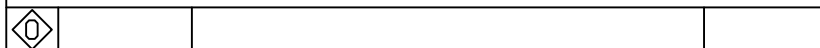
MOTOR TYPE:
AEHHXF
FRAME NO. 365TC

Pole	HP	KW	Hz	VOLT	Syn. Speed r/min(rpm)
4	75	56	60	230/460	1800
Ins	Rating	Dimension in	Approx Weight	Bearings	
F	CONT.	inches	1030 LBS	DE: 6313	NDE: 6213

Totally Enclosed Fan-Cooled Type. Squirrel-cage Rotor.



Note:
1. Explosion proof:
Class I Group D and
Class II Group E, F, G.



DWN.	J. H. LIANG	11-30-00
CHKD.	C. H. KAD	03-16-01
APPD.	Y. B. HUANG	03-16-01

TEC Westinghouse

DWG NO.
31049M632240

TECO Westinghouse

ISSUED May 14, 2011	PERFORMANCE DATA	ENCLOSURE EXPLOSION PROOF
TYPE AEHXXF	3-PHASE INDUCTION MOTOR	CATALOG# XP0754C

NAMEPLATE INFORMATION

OUTPUT		POLE	FRAME SIZE	VOLTAGE	HZ	RATED AMBIENT	INS. CLASS	NEMA DESIGN	TIME RATING	SERVICE FACTOR
HP	KW									
75	56.0	4	365TC	230/460	60	40°C	F	B	CONT.	1.15

TYPICAL PERFORMANCE

FULL LOAD RPM	EFFICIENCY				POWER FACTOR			MAXIMUM POWER FACTOR CORRECTION
	FULL LOAD		3/4 LOAD	1/2 LOAD	F. L.	3/4 LOAD	1/2 LOAD	
	MIN. %	NOM. %						
1775	94.5	95.4	95.5	95.5	88	86	80	18.3 KVAR

CURRENTS

NO LOAD			FULL LOAD			LOCKED ROTOR			NEMA KVA CODE LETTER
AT	AT	AT	AT	AT	AT	AT	AT	AT	
208 VOLT	230 VOLT	460 VOLT	208 VOLT	230 VOLT	460 VOLT	208 VOLT	230 VOLT	460 VOLT	
50.87	46.00	23.00	184.88	167.20	83.60	1199.76	1085.00	542.50	G

TORQUE

INERTIA

ACCEL TIME

FULL LOAD lb-ft	LOCKED ROTOR %FLT	PULL UP %FLT	BREAK DOWN %FLT	ROTOR WR ² lb-ft ²	NEMA LOAD WK ² lb-ft ²	MAX ALLOWABLE WK ² lb-ft ²	NEMA LOAD WK ² Sec	MAX ALLOWABLE WK ² Sec
221.8	215	175	250	14.674	338	582.00	4.30	7.27

SAFE STALL TIME IN SECONDS

ALLOWABLE STARTS PER HOUR

SOUND PRESSURE LEVEL @ 3 FT dB(A)

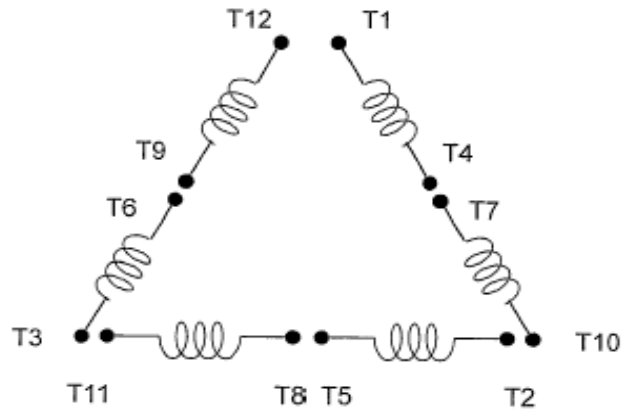
COLD	HOT	COLD	HOT	75
17	12	2	1	

APPROVED:	M. PRATER	DRAWING NO.	31057XP0754C	REVISION 0
-----------	------------------	-------------	---------------------	-------------------

DATE:
September 13, 2006

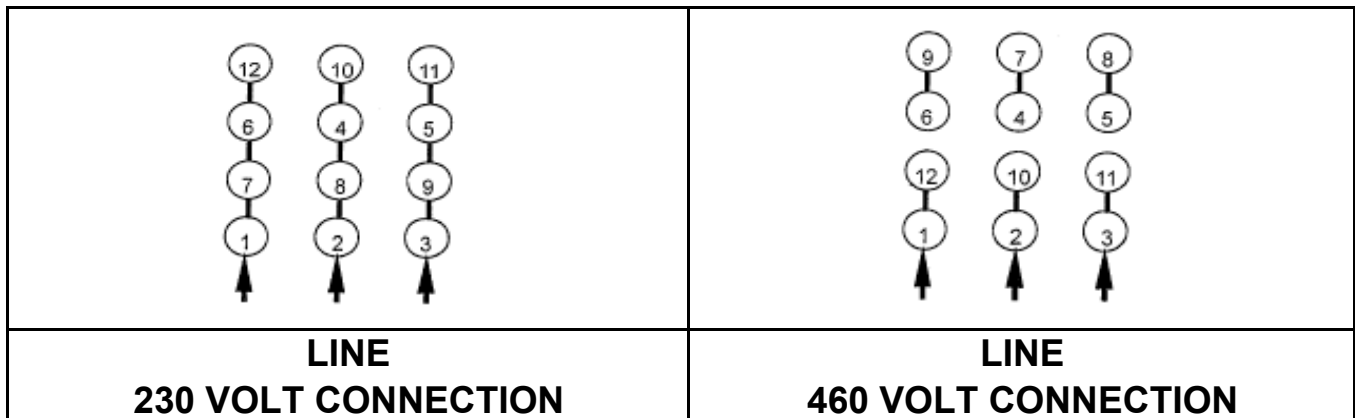
CONNECTION DIAGRAM

CATALOG NO.:
XP0754C



SCHEMATIC - Δ / Y CONNECTION

ACROSS THE LINE CONNECTION



WYE START-DELTA RUN CONNECTION

