

DATE
APRIL 30, 2011
CATALOG NO.
XP1/54C

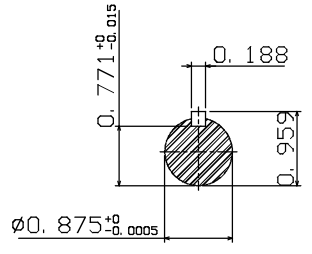
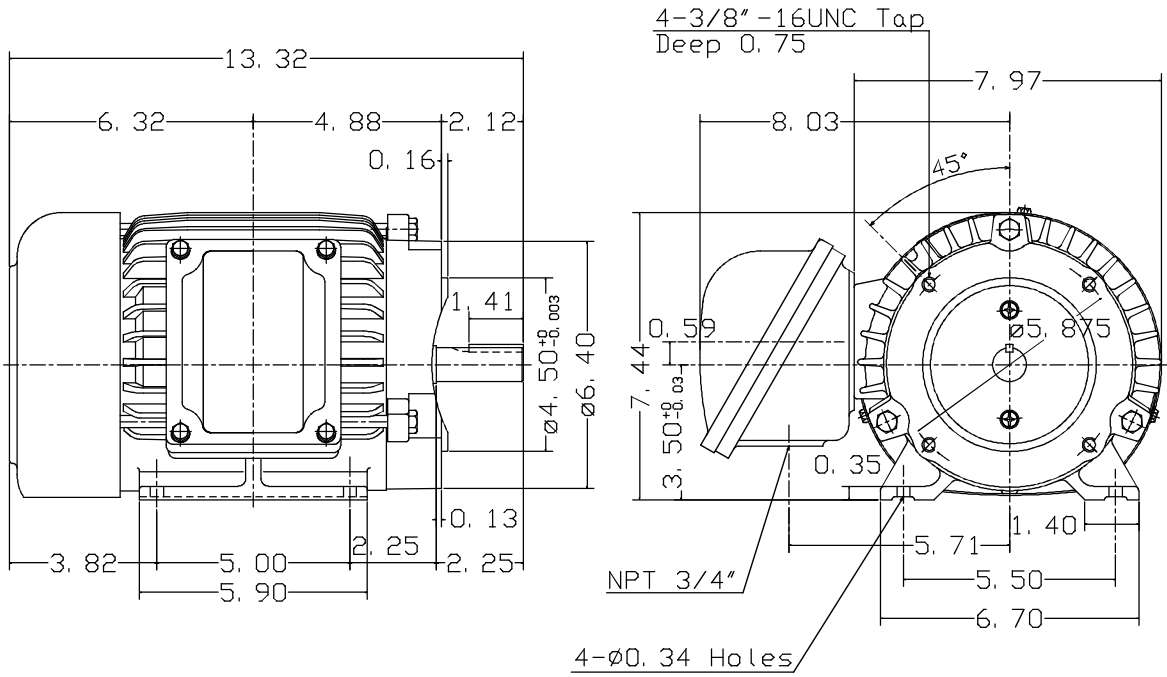
OUTLINE DIMENSIONS
3-PHASE INDUCTION MOTOR

MOTOR TYPE:
AEHHXF
FRAME NO. 145TC

| Pole | HP | KW | Hz | VOLT | Syn. Speed RPM |
|------|-----|----|----|---------|-------------------|
| 4 | 1.5 | 1 | 60 | 230/460 | 1800 |

| Ins | Rating | Dimension in | Approx Weight | Bearings |
|-----|--------|--------------|---------------|------------------------|
| F | CONT. | inches | 102 lbs. | DE: 6205ZZ NDE: 6205ZZ |

Totally Enclosed Fan-Cooled Type, Squirrel-Cage Rotor.



NOTE:
1. EXPLOSION PROOF:
CLASS I GROUP C, D AND
CLASS II GROUP E, F, G.



| | | |
|-------|-------------|----------|
| DWN. | J. H. LIANG | 11-12-98 |
| CHKD. | C. S. LO | 11-23-98 |
| APPD. | Y. B. HUANG | 11-23-98 |



DWG NO.
31049M620021

TECO Westinghouse

| | | |
|---------------------------------|--------------------------------|-------------------------------------|
| ISSUED April 11, 2011 | PERFORMANCE DATA | ENCLOSURE EXPLOSION PROOF |
| TYPE AEHHXF | 3-PHASE INDUCTION MOTOR | CATALOG# XP1/54C |

NAMEPLATE INFORMATION

| OUTPUT | | POLE | FRAME SIZE | VOLTAGE | HZ | RATED AMBIENT | INS. CLASS | NEMA DESIGN | TIME RATING | SERVICE FACTOR |
|------------|------------|----------|--------------|----------------|-----------|---------------|------------|-------------|--------------|----------------|
| HP | KW | | | | | | | | | |
| 1.5 | 1.1 | 4 | 145TC | 230/460 | 60 | 40°C | F | B | CONT. | 1.15 |

TYPICAL PERFORMANCE

| FULL LOAD RPM | EFFICIENCY | | | | POWER FACTOR | | | MAXIMUM POWER FACTOR CORRECTION |
|---------------|------------|-------------|-----------|-------------|--------------|-----------|-------------|---------------------------------|
| | FULL LOAD | | 3/4 LOAD | 1/2 LOAD | F. L. | 3/4 LOAD | 1/2 LOAD | |
| | MIN. % | NOM. % | | | | | | |
| 1730 | 84 | 86.5 | 87 | 85.5 | 75.5 | 67 | 53.5 | 1.0 KVAR |

CURRENTS

| NO LOAD | | | FULL LOAD | | | LOCKED ROTOR | | | NEMA KVA CODE LETTER |
|-------------|-------------|-------------|-------------|-------------|-------------|--------------|--------------|--------------|----------------------|
| AT | AT | AT | AT | AT | AT | AT | AT | AT | |
| 208 VOLT | 230 VOLT | 460 VOLT | 208 VOLT | 230 VOLT | 460 VOLT | 208 VOLT | 230 VOLT | 460 VOLT | |
| 2.81 | 2.54 | 1.27 | 4.75 | 4.30 | 2.15 | 44.23 | 40.00 | 20.00 | M |

TORQUE

INERTIA

ACCEL TIME

| FULL LOAD lb-ft | LOCKED ROTOR %FLT | PULL UP %FLT | BREAK DOWN %FLT | ROTOR WR ² lb-ft ² | NEMA LOAD WK ² lb-ft ² | MAX ALLOWABLE WK ² lb-ft ² | NEMA LOAD WK ² Sec | MAX ALLOWABLE WK ² Sec |
|-----------------|-------------------|--------------|-----------------|--|--|--|-------------------------------|-----------------------------------|
| 4.552 | 300 | 305 | 375 | 0.103 | 8.6 | 34.00 | 3.53 | 13.83 |

SAFE STALL TIME IN SECONDS

ALLOWABLE STARTS PER HOUR

SOUND PRESSURE LEVEL @ 3 FT dB(A)

| COLD | HOT | COLD | HOT | 50 |
|-----------|-----------|----------|----------|----|
| 31 | 22 | 2 | 1 | |

| | | | | |
|-----------|------------------|-------------|---------------------|-------------------|
| APPROVED: | M. PRATER | DRAWING NO. | 31057XP1/54C | REVISION 0 |
|-----------|------------------|-------------|---------------------|-------------------|

DATE:
June 27, 2005

CONNECTION DIAGRAM

CATALOG NO.:
XP1/54C



SCHEMATIC - 2Y/Y CONNECTION

ACROSS THE LINE CONNECTION



**LINE
230 VOLT CONNECTION**



**LINE
460 VOLT CONNECTION**



DWG NO.
DAC-1566-2