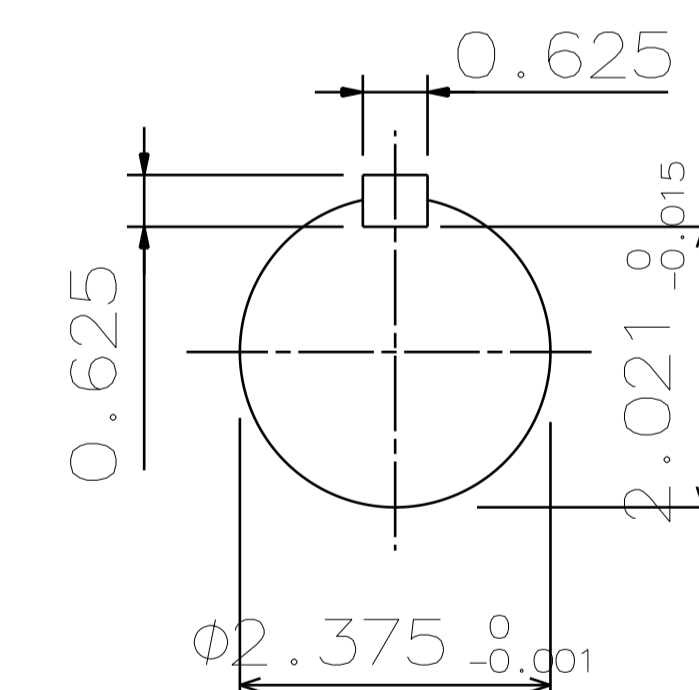
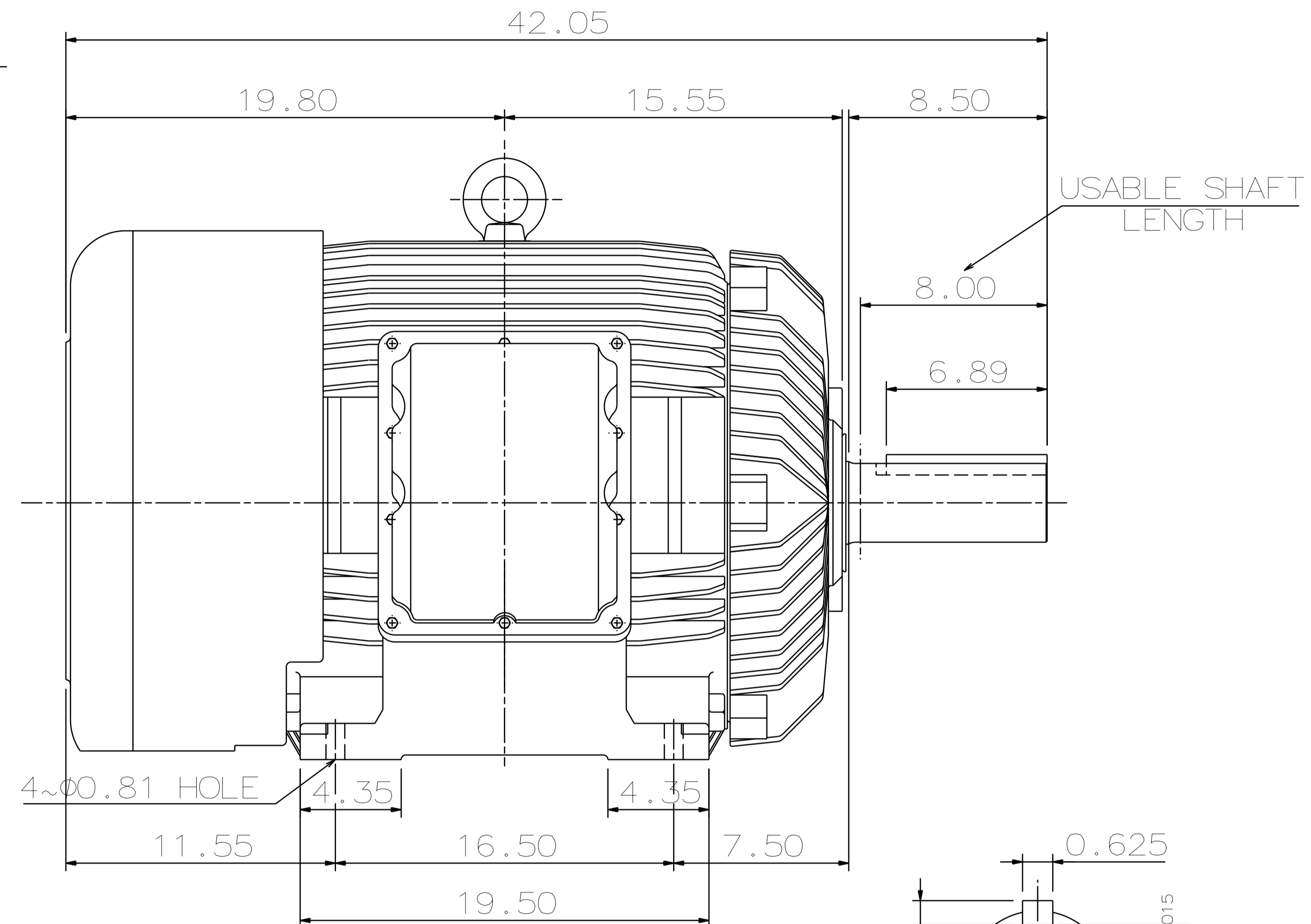
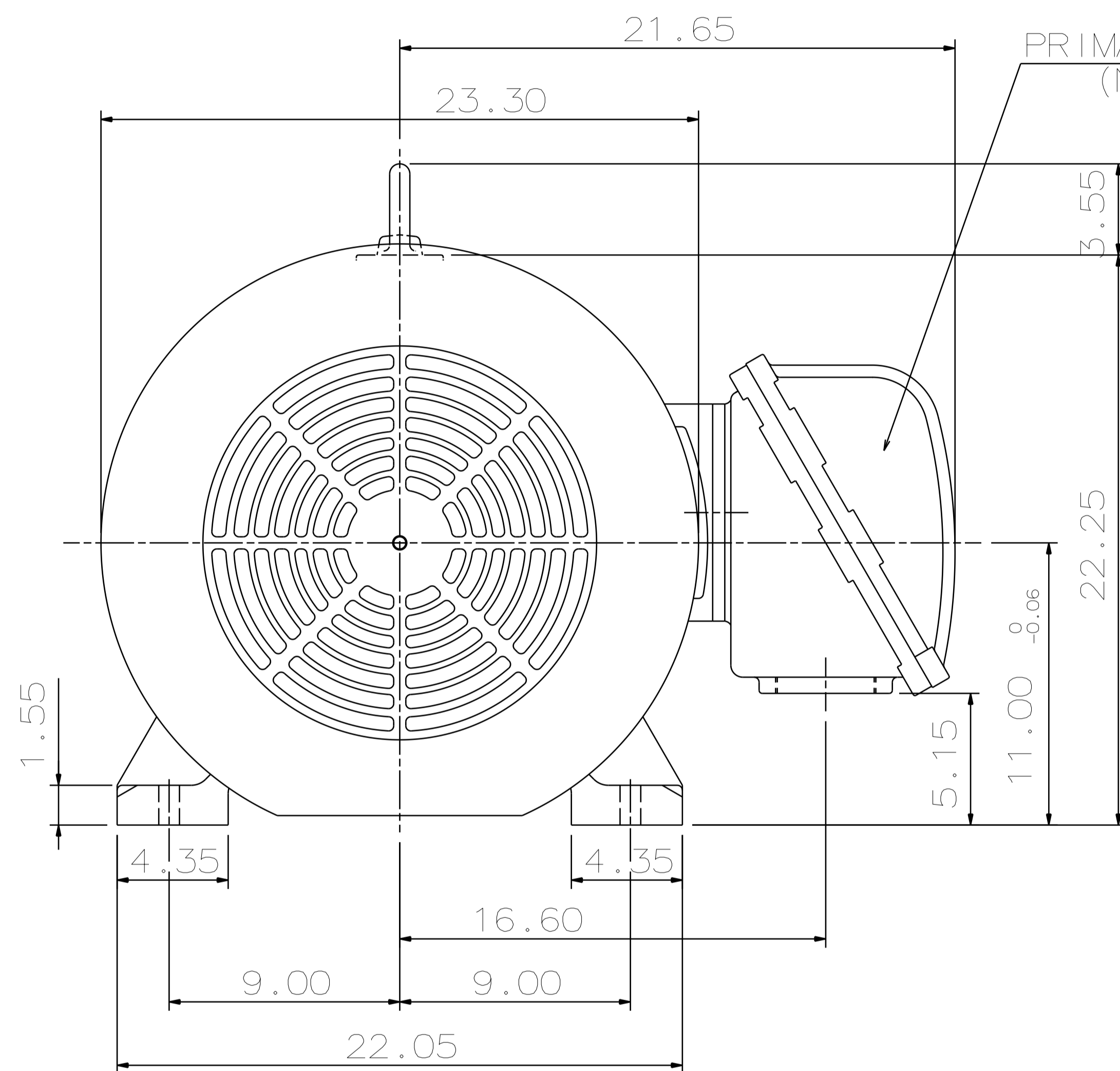


TYPE	OUTPUT		POLE	TIME RATING	VOLTAGE V	Hz	SYN. SPEED R.P.M
	HP.	kW.					
AEHHXU	150	111.8	4	CONT.	230/460	60	1800

TOTALLY ENCLOSED FAN-COOLED TYPE. SQUIRREL-CAGE ROTOR



SHAFT END ENLARGED VIEW

NOTE:

1. DIMENSIONS IN INCHES
2. FRAME NO. 445T
3. F CLASS INSULATION
4. FOR DIRECT FLEXIBLE COUPLING
5. ENCLOSURE: IP44
6. UL EXPLOSION PROOF
7. NON-SPARKING FAN
8. BEARING SIZE: DRIVE-END NU318C3
OPP. DRIVE-END 6318C3
9. CLASS I, DIVISION 1, GROUP D AND CLASS II, GROUPS E, F AND G TEMP CODE T2D/T3B.

DWN.	H. CHEN	DEC. 21. 2010
CHKD.	W. WENG	DEC. 21. 2010
APPD.	T. HSIAO	DEC. 21. 2010

DATE	DEC 08 2016	OUTLINE DIMENSIONS	
XP1504R		3-PHASE INDUCTION MOTOR	
TEC Westinghouse		DWG NO.	REV: 00
		3A049DTA10108-54	

TECO Westinghouse

ISSUED 04/06/11	PERFORMANCE DATA 3-PHASE INDUCTION MOTOR	ENCLOSURE EXPLOSION PROOF
TYPE AEHHXU		CATALOG# XP1504R

NAMEPLATE INFORMATION

OUTPUT		POLE	FRAME SIZE	VOLTAGE	HZ	RATED AMBIENT	INS. CLASS	NEMA DESIGN	TIME RATING	SERVICE FACTOR
HP	KW									
150	112	4	445T	460	60	40°C	F	B	CONT.	1.15

TYPICAL PERFORMANCE

FULL LOAD RPM	EFFICIENCY				POWER FACTOR			MAXIMUM POWER FACTOR CORRECTION
	FULL LOAD		3/4 LOAD	1/2 LOAD	F. L.	3/4 LOAD	1/2 LOAD	
	MIN. %	NOM. %	%	%	%	%	%	
1783	95	95.8	95.4	94.5	89	83	79	37 KVAR

CURRENTS			NEMA KVA CODE LETTER
NO LOAD	FULL LOAD	LOCKED ROTOR	
46.6	165	1085	G

TORQUE				INERTIA			ACCEL TIME	
FULL LOAD lb-ft	LOCKED ROTOR %FLT	PULL UP %FLT	BREAK DOWN %FLT	ROTOR WR ² lb-ft ²	NEMA LOAD WK ² lb-ft ²	MAX ALLOWABLE WK ² lb-ft ²	NEMA LOAD WK ² Sec	MAX ALLOWABLE WK ² Sec
441	120	96	210	51.5	640	1125	5.61	9.55

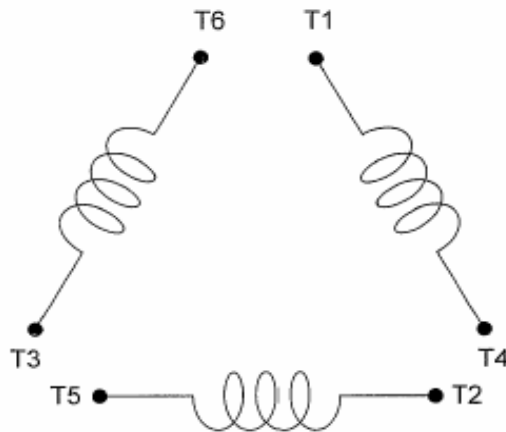
SAFE STALL TIME IN SECONDS		ALLOWABLE STARTS PER HOUR		SOUND PRESSURE LEVEL @ 3 FT dB(A)
COLD	HOT	COLD	HOT	
34	13	2	1	83

APPROVED:	M. PRATER	DRAWING NO.	3A057XP1504R	REVISION 0
-----------	------------------	-------------	---------------------	-------------------

DATE:
May 14, 2011

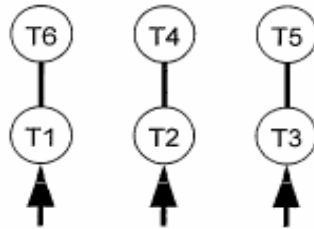
CONNECTION DIAGRAM

CATALOG NO.:
XP1504R



SCHEMATIC - Δ / Y CONNECTION

ACROSS THE LINE CONNECTION



460 VOLT CONNECTION

***CONTACT TWMC IF YOU HAVE ANY QUESTIONS
REGARDING THE MOTOR CONNECTION.**

PH: 1-800-873-8326