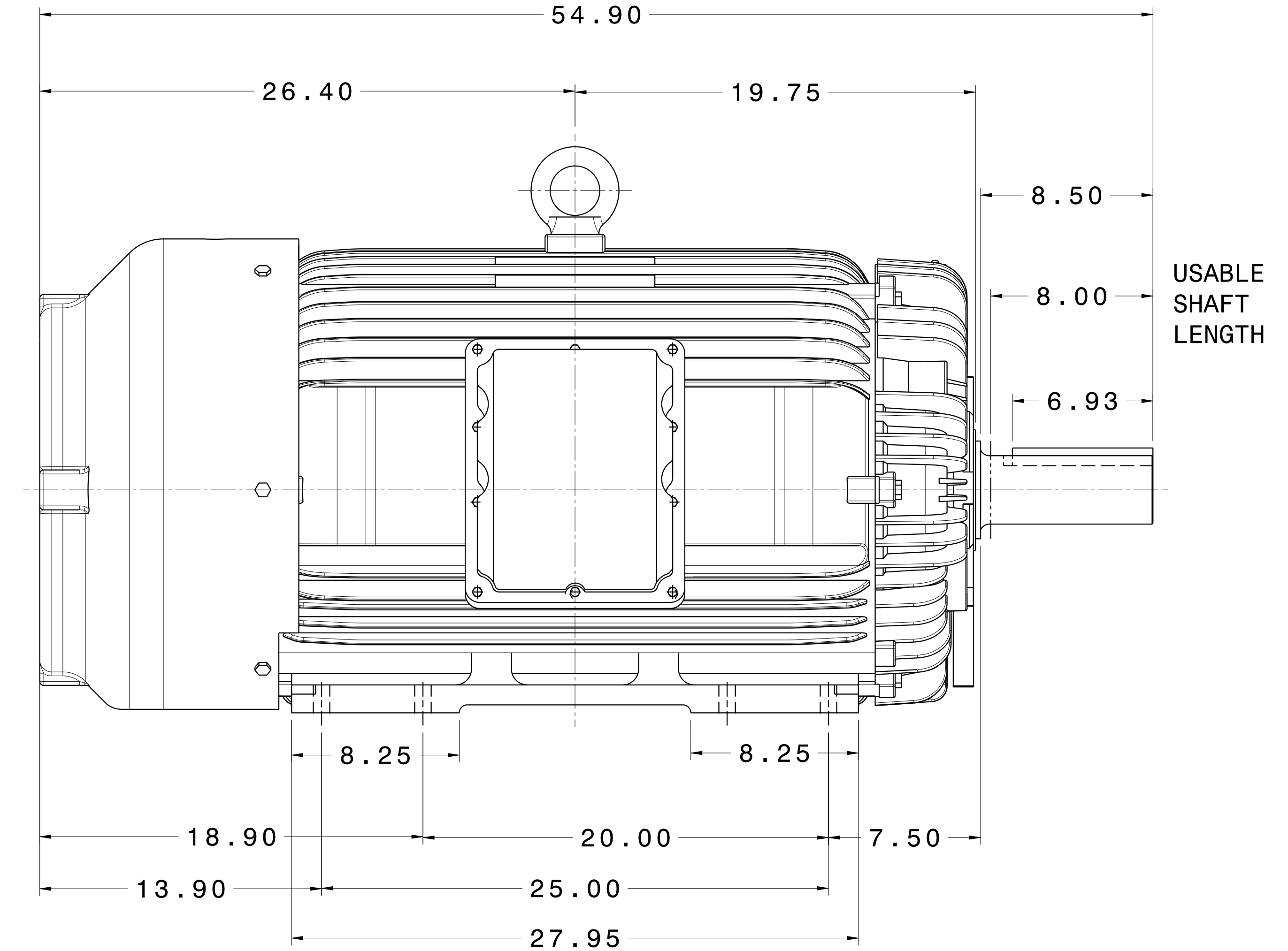
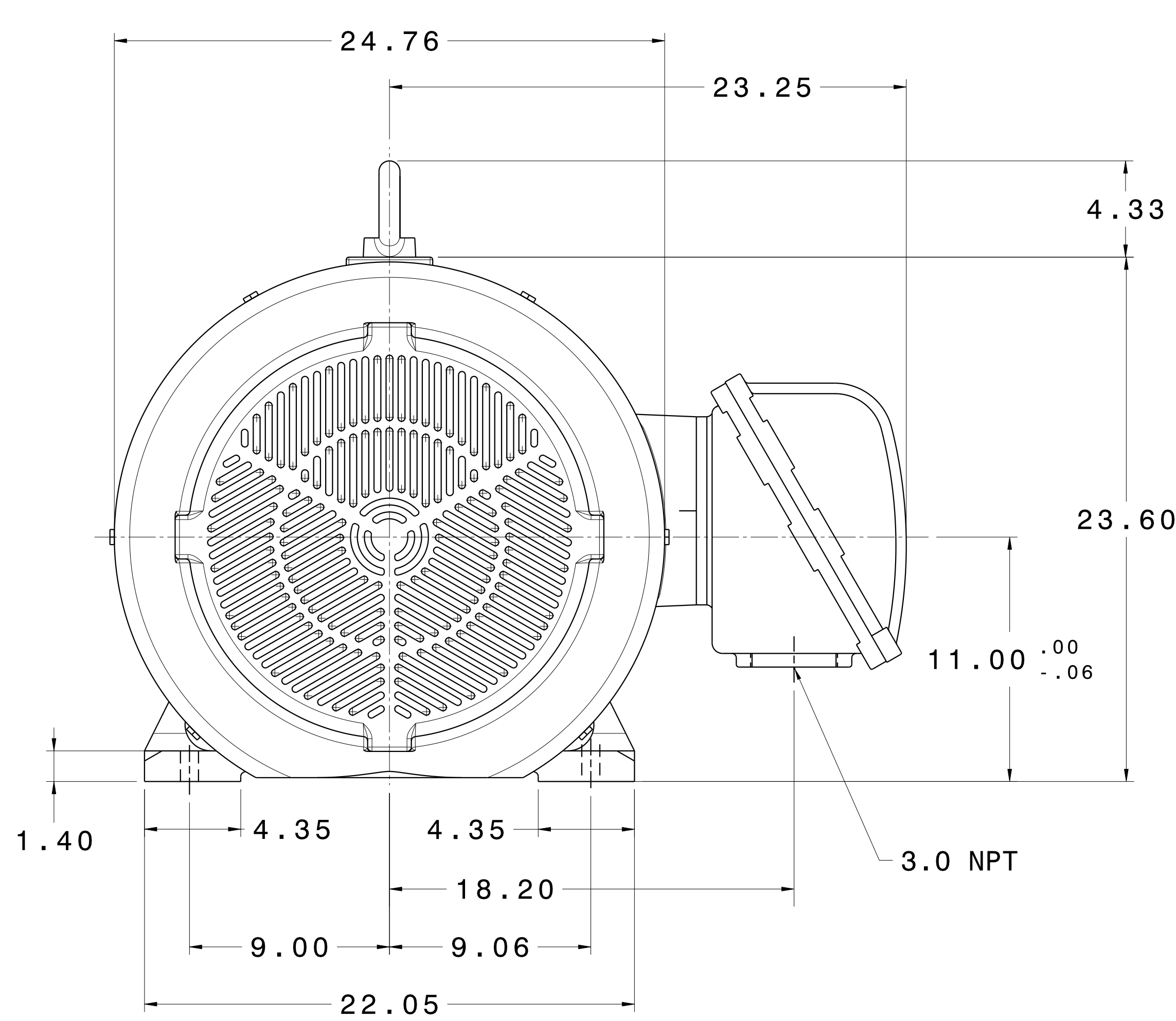
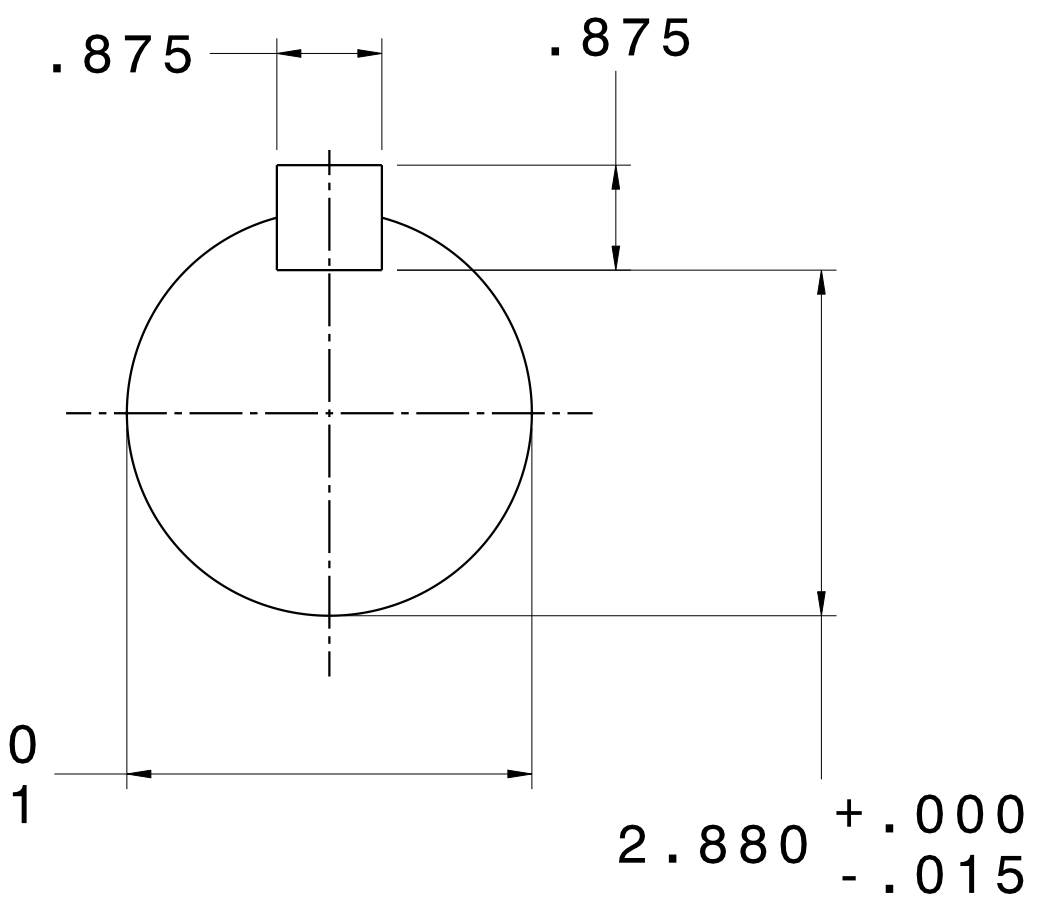


CATALOG #	TYPE	FRAME	OUTPUT		POLE	SYN. SPEED R.P.M.	VOLTAGE V.	Hz.	TIME RATING	INSULATION CLASS	SERVICE FACTOR	BEARINGS		WEIGHT LBS
			HP	KW								DE	NDE	
XP1506	AEHHXU	447T	150	112	4	1200	460	60	CONT.	F	1.15	6320C3	6316C3	2200

TOTALLY ENCLOSED FAN-COOLED TYPE. SQUIRREL CAGE MOTOR



USABLE SHAFT LENGTH



- NOTES:
1. DIMENSIONS IN INCH.
 2. ENCLOSURE: IP54.
 3. FOR DIRECT FLEXIBLE COUPLING.
 4. SUITABLE FOR DIVISION I, CLASS I, GROUP D AND CLASS II, GROUPS E,F,G.

REV. DATA	TECO Westinghouse			REV NO	01
	3-PHASE INDUCTION MOTOR OUTLINE DIMENSIONS			DWG NO.	XP1506
REF:	DWN T. FELPS	042616	APPD S. GROHOSKY	042616	
	TECO-WESTINGHOUSE MOTOR COMPANY			ROUND ROCK, TEXAS	USA

TECO Westinghouse

ISSUED 02/19/20	PERFORMANCE DATA	ENCLOSURE TEXP
TYPE AEHHXU	3-PHASE INDUCTION MOTOR	CATALOG# XP1506

NAMEPLATE INFORMATION

OUTPUT		POLE	FRAME SIZE	VOLTAGE	HZ	RATED AMBIENT	INS. CLASS	NEMA DESIGN	TIME RATING	SERVICE FACTOR
HP	KW									
150	112	6	447T	460	60	40°C	F	B	CONT.	1.15

TYPICAL PERFORMANCE

FULL LOAD RPM	EFFICIENCY				POWER FACTOR			MAXIMUM POWER FACTOR CORRECTION
	FULL LOAD		3/4 LOAD %	1/2 LOAD %	F. L. %	3/4 LOAD %	1/2 LOAD %	
	MIN. %	NOM. %						
1185	95.0	95.8	95.2	81.0	84.5	84.0	81.0	34 KVAR

CURRENTS

NO LOAD	FULL LOAD	LOCKED ROTOR	NEMA KVA CODE LETTER
43	173	1085	G

TORQUE

INERTIA

ACCEL TIME

FULL LOAD lb-ft	LOCKED ROTOR %FLT	PULL UP %FLT	BREAK DOWN %FLT	ROTOR WR ² lb-ft ²	NEMA LOAD WK ² lb-ft ²	MAX ALLOWABLE WK ² lb-ft ²	NEMA LOAD WK ² Sec	MAX ALLOWABLE WK ² Sec
665	135	120	220	103.0	1718	3092	6.14	10.77

SAFE STALL TIME IN SECONDS

ALLOWABLE STARTS PER HOUR

SOUND PRESSURE LEVEL @ 3 FT dB(A)

COLD	HOT	COLD	HOT	81
2	1	2	1	

APPROVED:

M. PRATER

DRAWING NO.

31057XP1506

REVISION **0**

DATE:
May 14, 2011

CONNECTION DIAGRAM

CATALOG NO.:
XP1506



SCHEMATIC - Δ / Y CONNECTION

ACROSS THE LINE CONNECTION



LINE
230 VOLT CONNECTION



LINE
460 VOLT CONNECTION

***CONTACT TWMC IF YOU HAVE ANY QUESTIONS
REGARDING THE MOTOR CONNECTION.**

PH: 1-800-873-8326