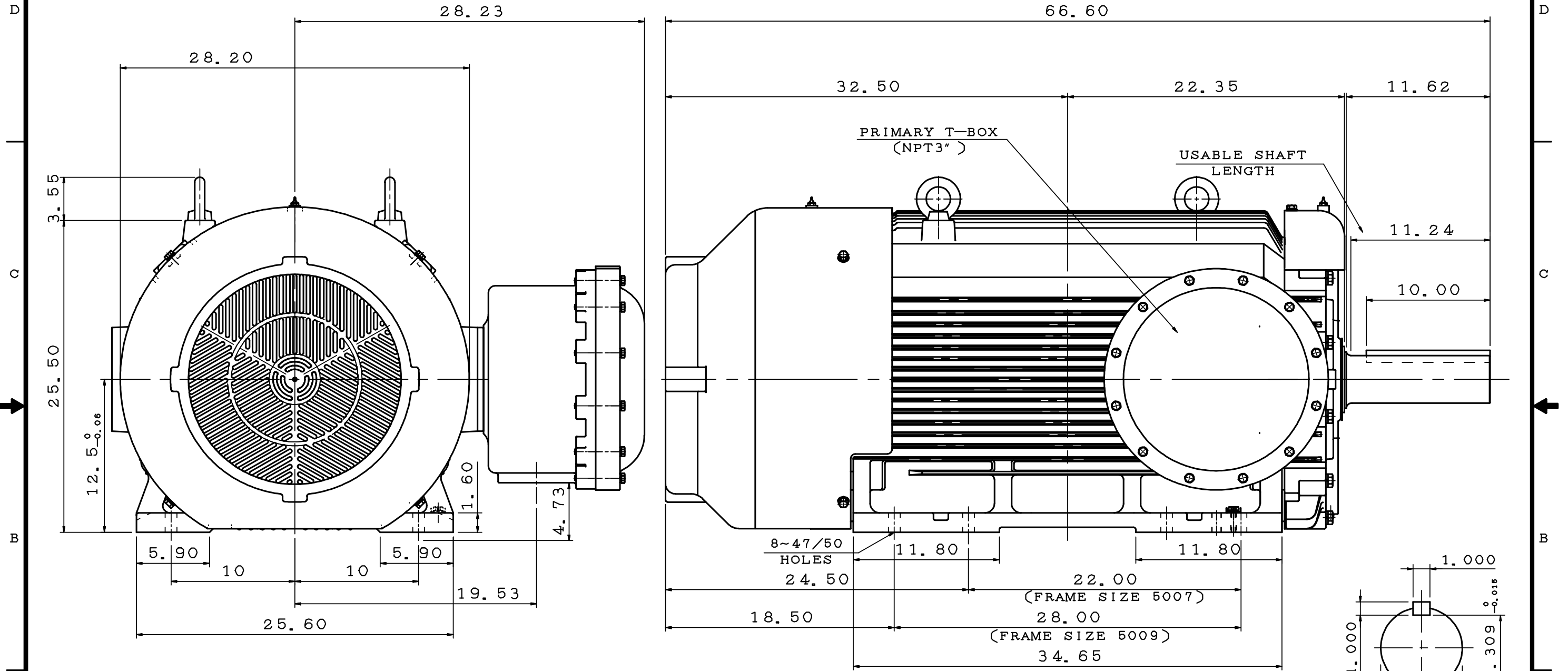


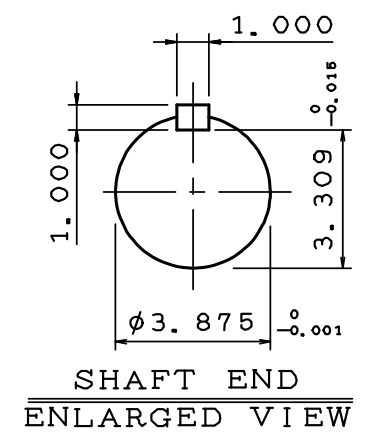
TYPE	OUTPUT		POLE	TIME RATING	VOLTAGE V	Hz	SYN. SPEED R. P. M
	HP.	kW.					
AEHHXU	250	186.5	6	CONT.	460	60	1200

TOTALLY ENCLOSED FAN-COOLED TYPE. SUIRREL-CAGE ROTOR



NOTE:

1. DIMENSIONS IN inch
2. FRAME NO. 5009B
3. F CLASS INSULATION, S. F. 1.15
4. FOR DIRECT FLEXIBLE COUPLING
5. ENCLOSURE: IP44
6. BEARING SIZE: DRIVE-END NU324
OPP. DRIVE-END 6320
7. UL EXPLOSION PROOF
8. NON-SPARKING FAN
9. WEIGHT 4330 LBS.



DATE	FEBRUARY 2, 2016	OUTLINE DIMENSIONS
CATALOG #	XP2506R	3-PHASE INDUCTION MOTOR
DWN.	M. HSU	DEC•30•2015
CHKD.	C. WANG	DEC•30•2015
APPD.	S. WANG	DEC•30•2015
TECO Westinghouse		DWG NO. REV: 00 4B040R167

TECO Westinghouse

ISSUED 06/08/16	PERFORMANCE DATA	ENCLOSURE TEXP
TYPE AEHHXU	3-PHASE INDUCTION MOTOR	CATALOG# XP2506R

NAMEPLATE INFORMATION

OUTPUT		POLE	FRAME SIZE	VOLTAGE	HZ	RATED AMBIENT	INS. CLASS	NEMA DESIGN	TIME RATING	SERVICE FACTOR
HP	KW									
250	187	6	5007B	460	60	40°C	F	B	CONT.	1.15

TYPICAL PERFORMANCE

FULL LOAD RPM	EFFICIENCY				POWER FACTOR			MAXIMUM POWER FACTOR CORRECTION
	FULL LOAD		3/4 LOAD	1/2 LOAD	F. L.	3/4 LOAD	1/2 LOAD	
	MIN. %	NOM. %						
1186	95.0	95.8	95.4	81.5	87.0	86.2	81.5	57 KVAR

CURRENTS			NEMA KVA CODE LETTER
NO LOAD	FULL LOAD	LOCKED ROTOR	
72	281	1825	G

TORQUE				INERTIA			ACCEL TIME	
FULL LOAD	LOCKED ROTOR	PULL UP	BREAK DOWN	ROTOR	NEMA LOAD	MAX ALLOWABLE	NEMA LOAD	MAX ALLOWABLE
lb-ft	%FLT	%FLT	%FLT	WR ² lb-ft ²	WK ² lb-ft ²	WK ² lb-ft ²	WK ² Sec	WK ² Sec
153	120	100	200	190.2	2743	4937	47.12	82.37

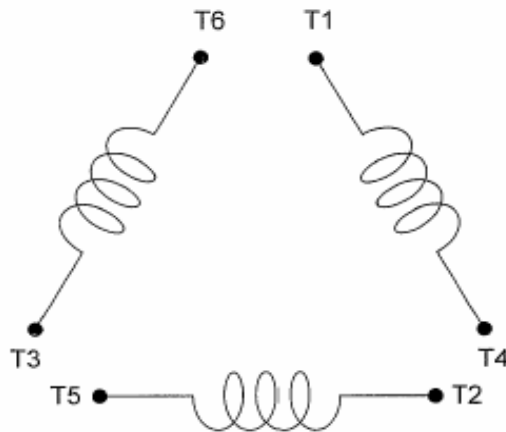
SAFE STALL TIME IN SECONDS		ALLOWABLE STARTS PER HOUR		SOUND PRESSURE LEVEL @ 3 FT dB(A)
COLD	HOT	COLD	HOT	
2	1	2	1	

APPROVED:	M. PRATER	DRAWING NO.	31057XP2506R	REVISION 0
-----------	------------------	-------------	---------------------	-------------------

DATE:
May 14, 2011

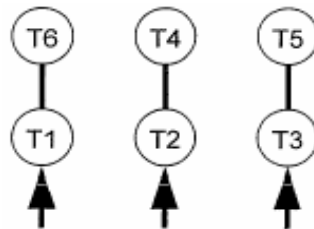
CONNECTION DIAGRAM

CATALOG NO.:
XP2506R



SCHEMATIC - Δ / Y CONNECTION

ACROSS THE LINE CONNECTION



460 VOLT CONNECTION

***CONTACT TWMC IF YOU HAVE ANY QUESTIONS
REGARDING THE MOTOR CONNECTION.**

PH: 1-800-873-8326