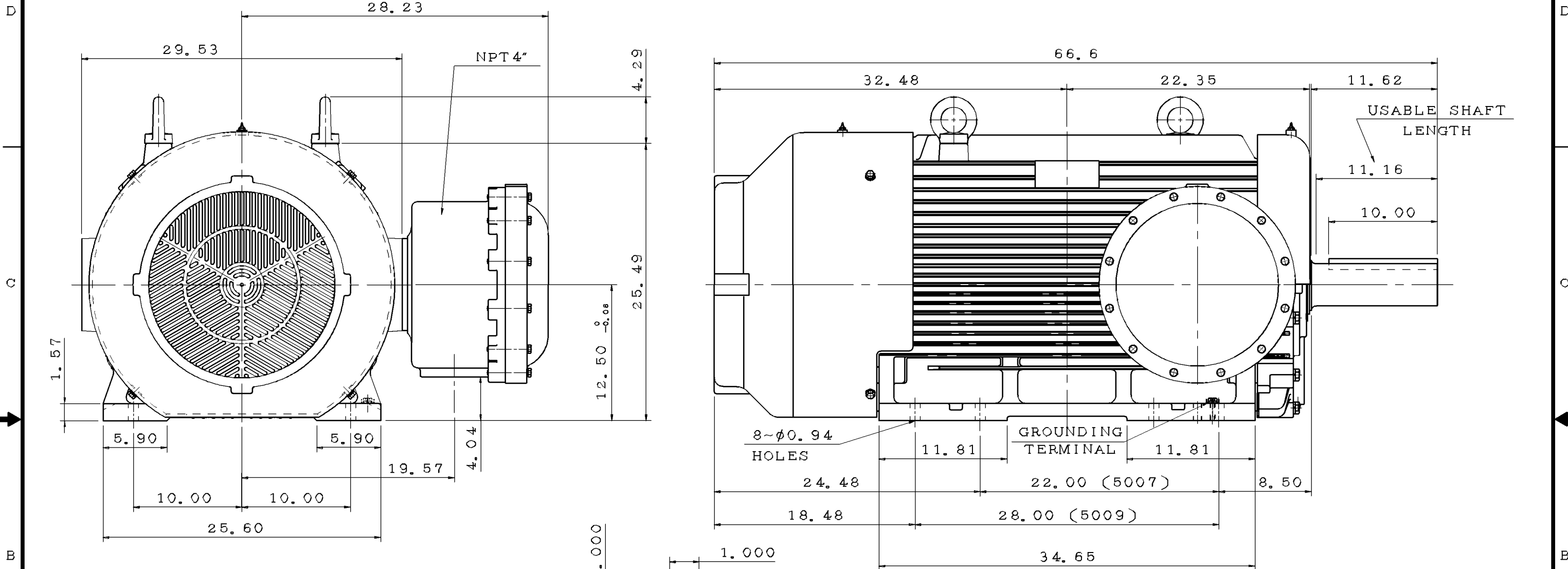


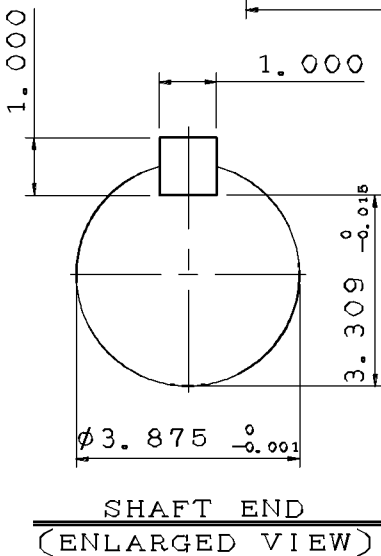
TYPE	OUTPUT		POLE	TIME RATING	VOLTAGE V	Hz	SYN. SPEED R. P. M
	HP.	kW.					
AEHH-XU	400	299	4	CONT.	460	60	1800

TOTALLY ENCLOSED FAN-COOLED TYPE. SUIRREL-CAGE ROTOR.



NOTE:

1. DIMENSIONS IN inch
2. FRAME NO. 5007B
3. F CLASS INSULATION, S. F. 1.15
4. FOR DIRECT FLEXIBLE COUPLING
5. ENCLOSURE: IP44
6. BEARING SIZE: DRIVE-END 6324
OPP. DRIVE-END 6320
7. UL EXPLOSION PROOF
8. WITH THERMOSTAT: N. C. 145°C 3PCS
9. NON-SPARKING FAN
10. MOTOR APPROX. WEIGHT: 48051b



DATE	June 21, 2016	OUTLINE DIMENSIONS
Catalog #	XP4004	3-PHASE INDUCTION MOTOR

DWN.	R. SHEN	MAR. 21. 2016
CHKD.	Y. LEE	MAR. 29. 2016
APPD.	C. LIU	MAR. 29. 2016

TECO Westinghouse

DWG NO. REV:00
4B040Q710

TECO Westinghouse

ISSUED 06/08/16	PERFORMANCE DATA 3-PHASE INDUCTION MOTOR	ENCLOSURE TEXP
TYPE AEHHXU		CATALOG# XP4004

NAMEPLATE INFORMATION

OUTPUT		POLE	FRAME SIZE	VOLTAGE	HZ	RATED AMBIENT	INS. CLASS	NEMA DESIGN	TIME RATING	SERVICE FACTOR
HP	KW									
400	298	4	5009B	460	60	40°C	F	B	CONT.	1.15

TYPICAL PERFORMANCE

FULL LOAD RPM	EFFICIENCY				POWER FACTOR			MAXIMUM POWER FACTOR CORRECTION
	FULL LOAD		3/4 LOAD %	1/2 LOAD %	F. L. %	3/4 LOAD %	1/2 LOAD %	
	MIN. %	NOM. %						
1785	95.4	96.2	95.7	84.4	87.7	87.4	84.4	73 KVAR

CURRENTS			NEMA KVA CODE LETTER
NO LOAD	FULL LOAD	LOCKED ROTOR	
92	444	2900	G

TORQUE				INERTIA			ACCEL TIME	
FULL LOAD lb-ft	LOCKED ROTOR %FLT	PULL UP %FLT	BREAK DOWN %FLT	ROTOR WR ² lb-ft ²	NEMA LOAD WK ² lb-ft ²	MAX ALLOWABLE WK ² lb-ft ²	NEMA LOAD WK ² Sec	MAX ALLOWABLE WK ² Sec
1177	100	90	210	176.0	1546	2319	39.50	57.23

SAFE STALL TIME IN SECONDS		ALLOWABLE STARTS PER HOUR		SOUND PRESSURE LEVEL @ 3 FT dB(A)
COLD	HOT	COLD	HOT	
2	1	2	1	

APPROVED:	M. PRATER	DRAWING NO.	31057XP4004	REVISION 0
-----------	------------------	-------------	--------------------	-------------------