

DATE
MAY 11. 2015
CATALOG NO.
XPV0014C

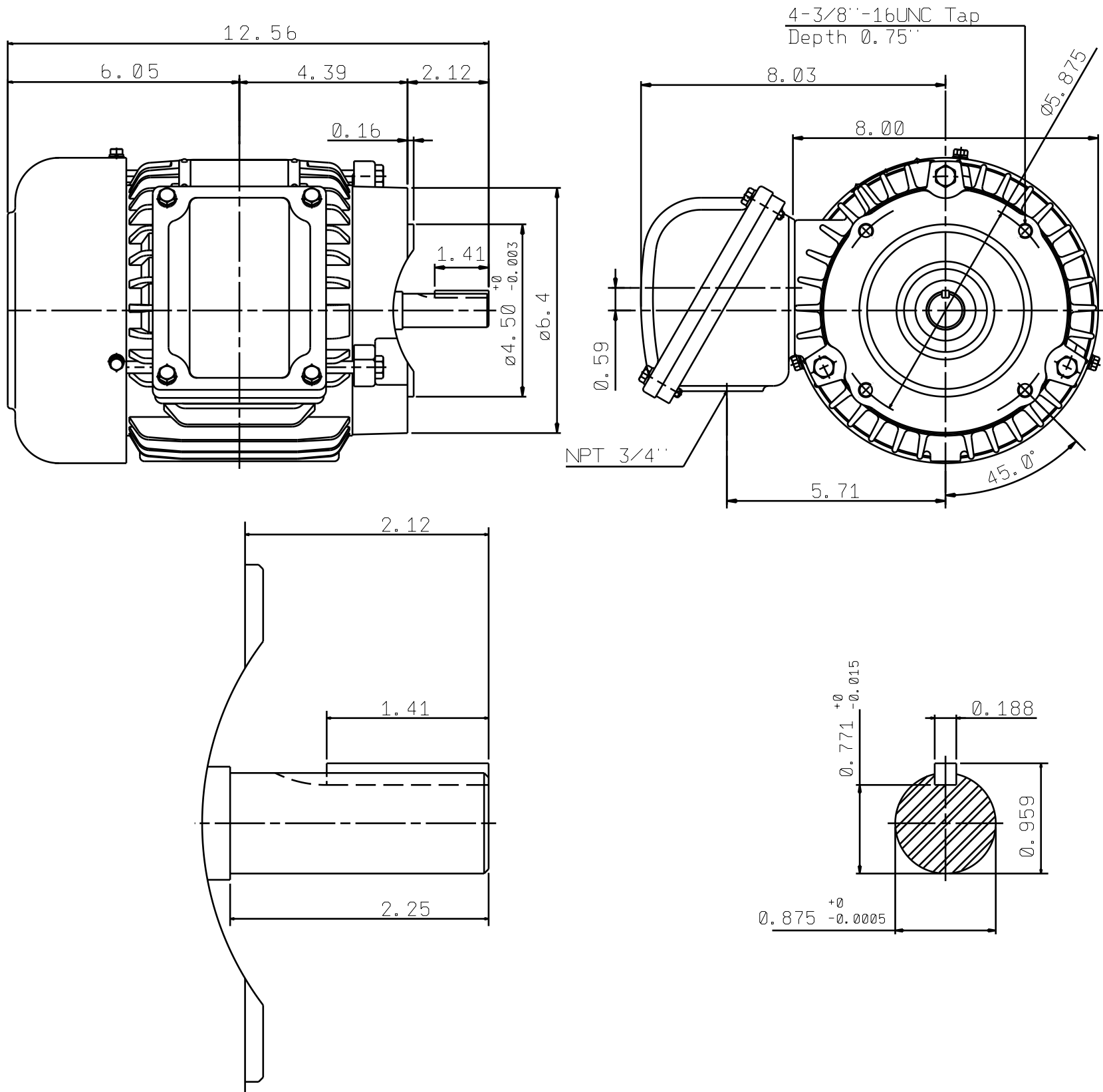
OUTLINE DIMENSIONS
3-PHASE INDUCTION MOTOR

MOTOR TYPE:
AEUHXG
FRAME NO. 143TC

Pole	HP	KW	Hz	VOLT	Syn. Speed RPM
4	1	.75	60	230/460	1800

Ins	Rating	Dimension in	Approx Weight	Bearings
F	CONT.	inches	90 lbs.	DE: 6205ZZ NDE: 6205ZZ

Totally Enclosed Fan-Cooled Type. Squirrel-Cage Rotor.



NOTE:
1. EXPLOSION PROOF:
CLASS I, DIV 1, GROUP C+D,
CLASS II, DIV 1 and 2, GROUP
E, F, G.

--	--	--	--

DWN.	J. H. LIANG	11.12.98
CHKD.	C. S. LO	11.23.98
APPD.	Y. B. HUANG	11.23.98



DWG NO.

TECO Westinghouse

ISSUED September 5, 2017	PERFORMANCE DATA	ENCLOSURE EXPLOSION PROOF
TYPE AEUHXG	3-PHASE INDUCTION MOTOR	CATALOG# XPV0014C

NAMEPLATE INFORMATION

OUTPUT		POLE	FRAME SIZE	VOLTAGE	HZ	RATED AMBIENT	INS. CLASS	NEMA DESIGN	TIME RATING	SERVICE FACTOR
HP	KW									
1	0.7	4	143T	230/460	60	40°C	F	B	CONT.	1.15

TYPICAL PERFORMANCE

FULL LOAD RPM	EFFICIENCY				POWER FACTOR			MAXIMUM POWER FACTOR CORRECTION
	FULL LOAD		3/4 LOAD	1/2 LOAD	F. L.	3/4 LOAD	1/2 LOAD	
	MIN. %	NOM. %						
1755	82.5	85.5	84	80.5	68	58.5	45	0.9 KVAR

CURRENTS

NO LOAD			FULL LOAD			LOCKED ROTOR			NEMA KVA CODE LETTER
AT	AT	AT	AT	AT	AT	AT	AT	AT	
208 VOLT	230 VOLT	460 VOLT	208 VOLT	230 VOLT	460 VOLT	208 VOLT	230 VOLT	460 VOLT	
2.52	2.28	1.14	3.56	3.22	1.61	33.17	30.00	15.00	N

TORQUE

INERTIA

ACCEL TIME

FULL LOAD lb-ft	LOCKED ROTOR %FLT	PULL UP %FLT	BREAK DOWN %FLT	ROTOR WR ² lb-ft ²	NEMA LOAD WK ² lb-ft ²	MAX ALLOWABLE WK ² lb-ft ²	NEMA LOAD WK ² Sec	MAX ALLOWABLE WK ² Sec
2.992	350	325	450	0.075	5.8	25.31	3.12	13.49

SAFE STALL TIME IN SECONDS

ALLOWABLE STARTS PER HOUR

SOUND PRESSURE LEVEL @ 3 FT dB(A)

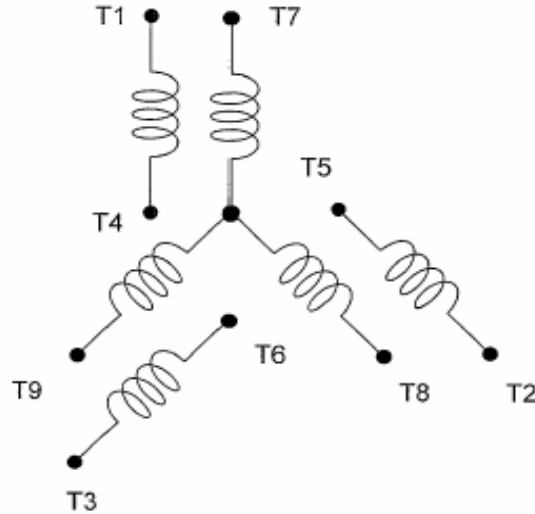
COLD		HOT		53
40	28	2	1	

APPROVED:	M. PRATER	DRAWING NO.	31057XPV0014C	REVISION 0
-----------	------------------	-------------	----------------------	-------------------

DATE:
May 14, 2011

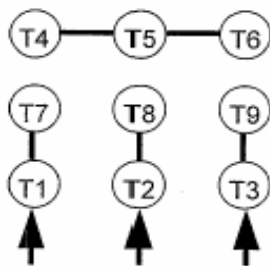
CONNECTION DIAGRAM

CATALOG NO.:
XPV0014C

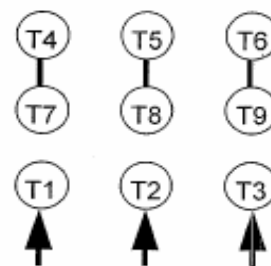


SCHEMATIC - 2Y/Y CONNECTION

ACROSS THE LINE CONNECTION



**LINE
230 VOLT CONNECTION**



**LINE
460 VOLT CONNECTION**