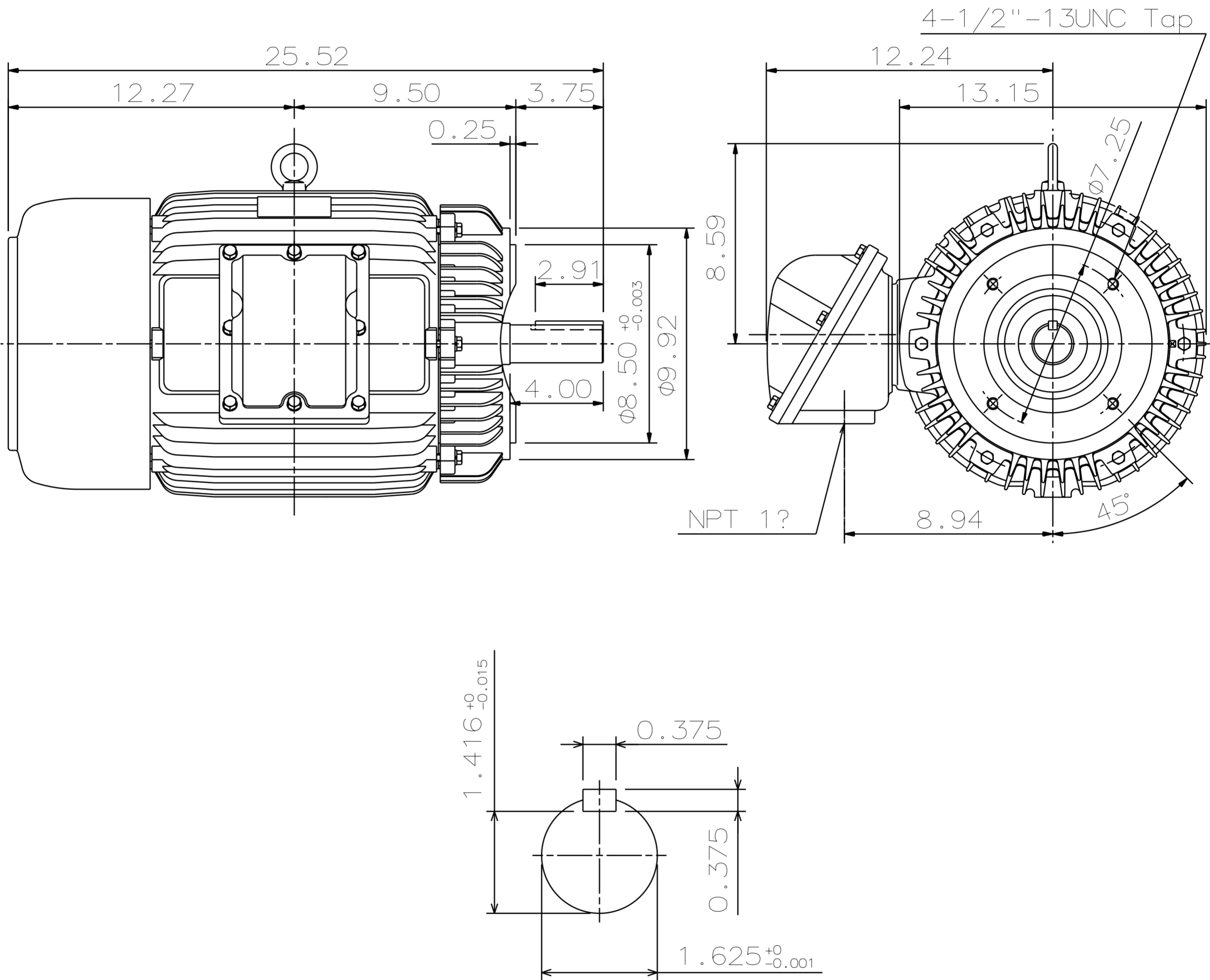


DATE May 2, 2018	OUTLINE DIMENSIONS 3-PHASE INDUCTION MOTOR	MOTOR TYPE: AEUHXG
Catalog No. XPV0106C		FRAME NO. 256TC

Pole	HP	kW	Hz	VOLT	r/min (rpm)
6	10	7.5	60	230/460	1200
Ins	Rating	Dimension in	Approx Weight	Bearings	
F	CONT.	inches	407 LBS.	DE: 6309ZZ NDE: 6307ZZ	

Totally Enclosed Fan-Cooled Vertical Type. Squirrel-cage Rotor.



Note:

- Suitable for Division I, Class I Group D & class II Group E, F, G, T2D or T3B.

--	--	--	--

DWG.	E.NARVAEZ	10.11.18		DWG NO. XPV0106C

R