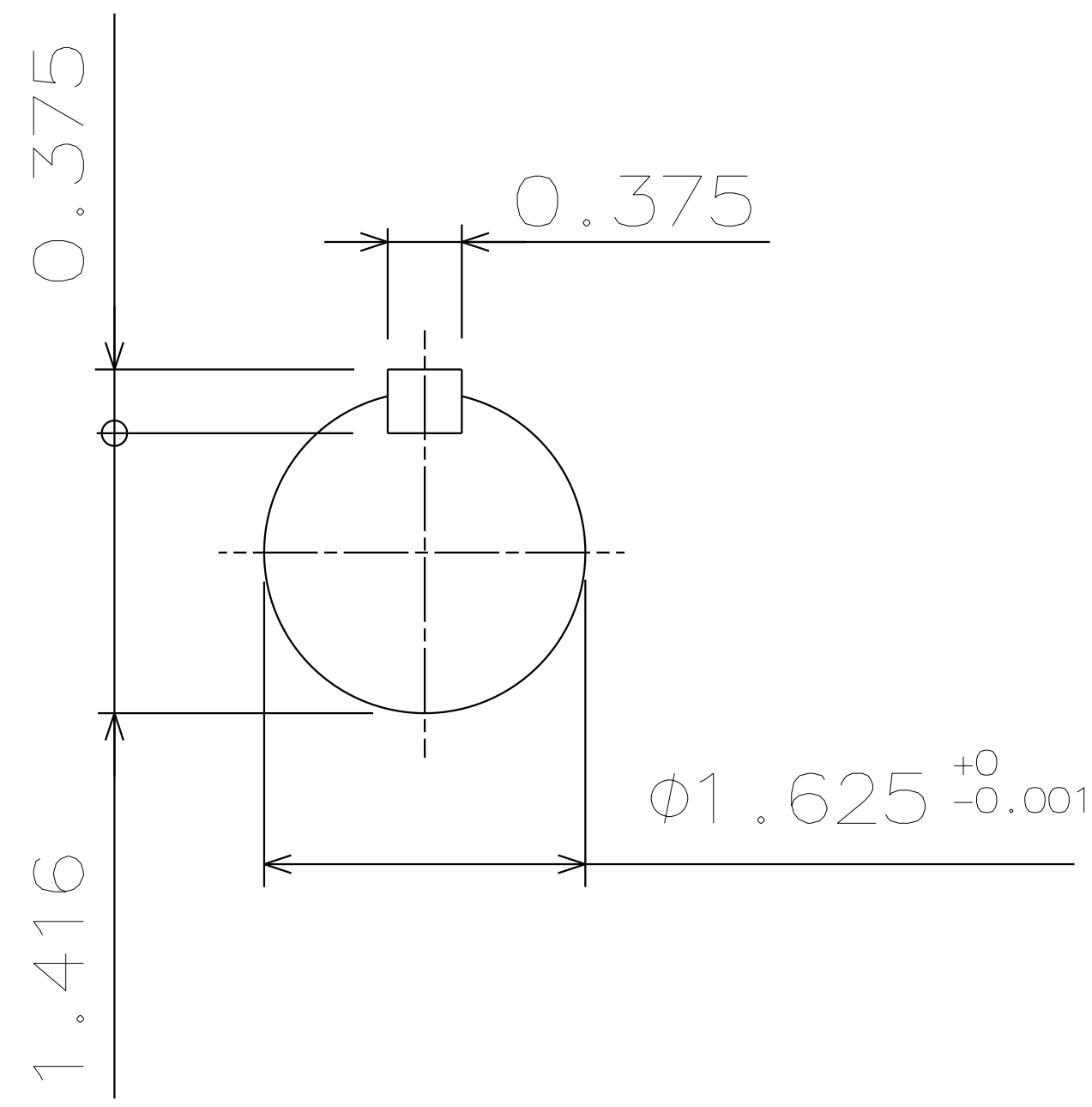
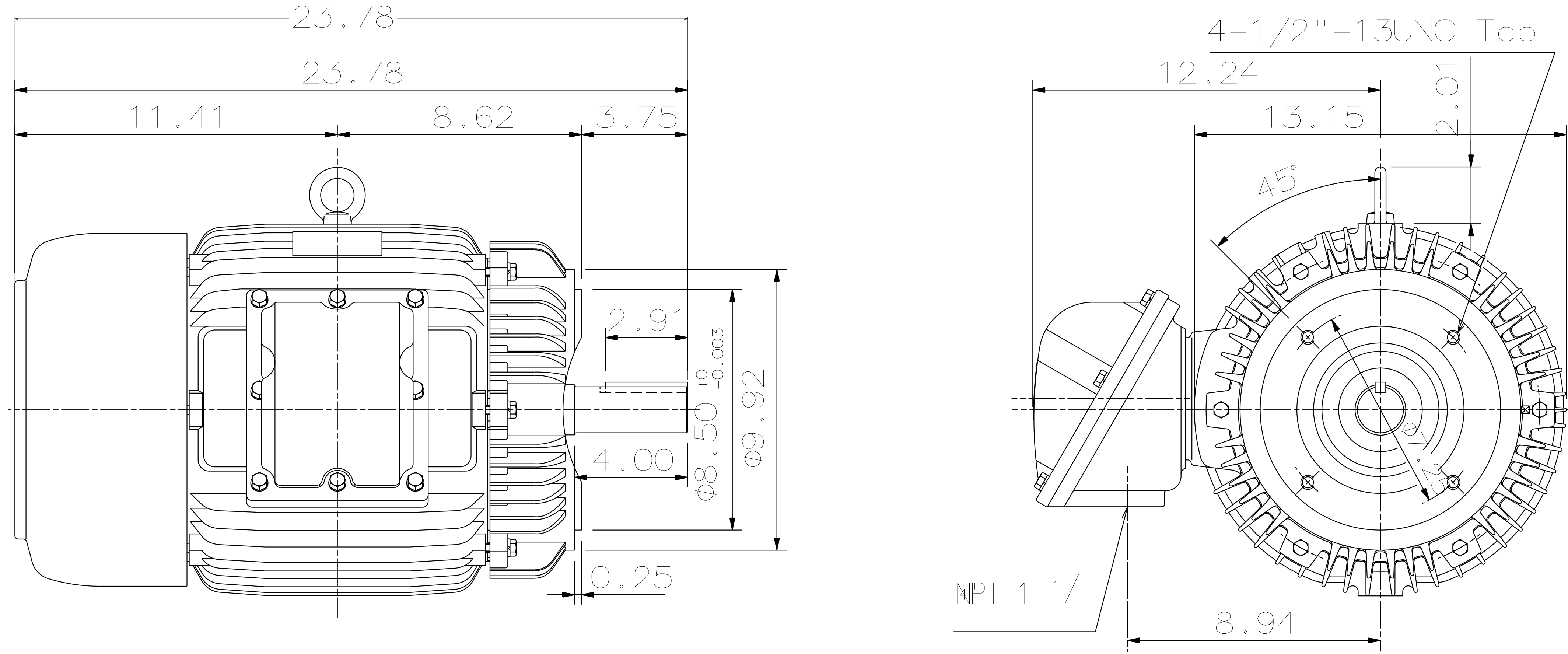


CATALOG #	TYPE	FRAME	OUTPUT		POLE	SYN. SPEED R.P.M.	VOLTAGE V.	Hz.	TIME RATING	INSULATION CLASS	SERVICE FACTOR	BEARINGS		WEIGHT LBS
			HP	kW								DE	NDE	
XV0154C	AEUHXF	254TC	15	11.2	4	1800	230/460	60	CONT.	F	1.15	6309ZZC3	6307ZZC3	435

TOTALLY ENCLOSED FAN-COOLED TYPE. SQUIRREL CAGE MOTOR



NOTES:

1. DIMENSIONS IN INCH.
2. ENCLOSURE: IP54.
3. FOR DIRECT FLEXIBLE COUPLING.
4. EXPLOSION PROOF: CLASS I, DIV 1, GR. C&D, CLASS II, DIV 1&2, GR. E,F,&G.

REF:	REV. DATA			
	TECO Westinghouse			REV NO 01
	3-PHASE INDUCTION MOTOR OUTLINE DIMENSIONS			DWG NO. XPV0154C
	DWN C. COOK	040518	APPD	
TECO-WESTINGHOUSE MOTOR COMPANY				ROUND ROCK, TEXAS USA

TECO Westinghouse

ISSUED April 5, 2018	PERFORMANCE DATA	ENCLOSURE EXPLOSION PROOF
TYPE AEUHXF	3-PHASE INDUCTION MOTOR	CATALOG# XPV0154C

NAMEPLATE INFORMATION

OUTPUT		POLE	FRAME SIZE	VOLTAGE	HZ	RATED AMBIENT	INS. CLASS	NEMA DESIGN	TIME RATING	SERVICE FACTOR
HP	KW									
15	11.2	4	254TC	230/460	60	40°C	F	C	CONT.	1.15

TYPICAL PERFORMANCE

FULL LOAD RPM	EFFICIENCY				POWER FACTOR			MAXIMUM POWER FACTOR CORRECTION
	FULL LOAD		3/4 LOAD	1/2 LOAD	F. L.	3/4 LOAD	1/2 LOAD	
	MIN. %	NOM. %	%	%	%	%	%	
1765	91	92.4	93	92.4	88	85	77	4.7 KVAR

CURRENTS

NO LOAD			FULL LOAD			LOCKED ROTOR			NEMA KVA CODE LETTER
AT	AT	AT	AT	AT	AT	AT	AT	AT	
208 VOLT	230 VOLT	460 VOLT	208 VOLT	230 VOLT	460 VOLT	208 VOLT	230 VOLT	460 VOLT	
12.94	11.70	5.85	38.15	34.50	17.25	256.54	232.00	116.00	G

TORQUE

INERTIA

ACCEL TIME

FULL LOAD lb-ft	LOCKED ROTOR %FLT	PULL UP %FLT	BREAK DOWN %FLT	ROTOR WR ² lb-ft ²	NEMA LOAD WK ² lb-ft ²	MAX ALLOWABLE WK ² lb-ft ²	NEMA LOAD WK ² Sec	MAX ALLOWABLE WK ² Sec
44.62	245	190	280	2.179	75	145.00	4.16	7.93

SAFE STALL TIME IN SECONDS

ALLOWABLE STARTS PER HOUR

SOUND PRESSURE LEVEL @ 3 FT dB(A)

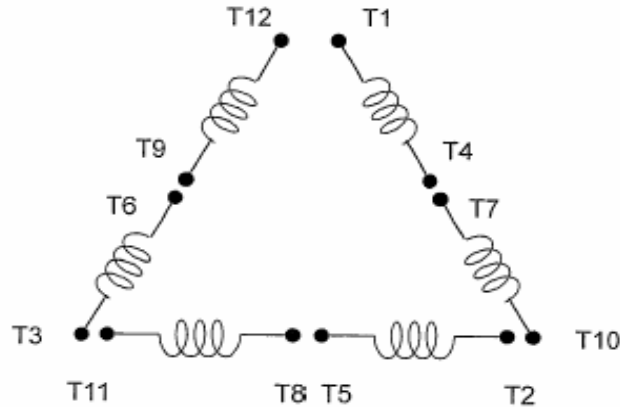
SAFE STALL TIME IN SECONDS		ALLOWABLE STARTS PER HOUR		SOUND PRESSURE LEVEL @ 3 FT dB(A)
COLD	HOT	COLD	HOT	
17	12	2	1	64

APPROVED:	M. PRATER	DRAWING NO.	31057XPV0154C	REVISION 0
-----------	------------------	-------------	----------------------	-------------------

DATE:
May 13, 2016

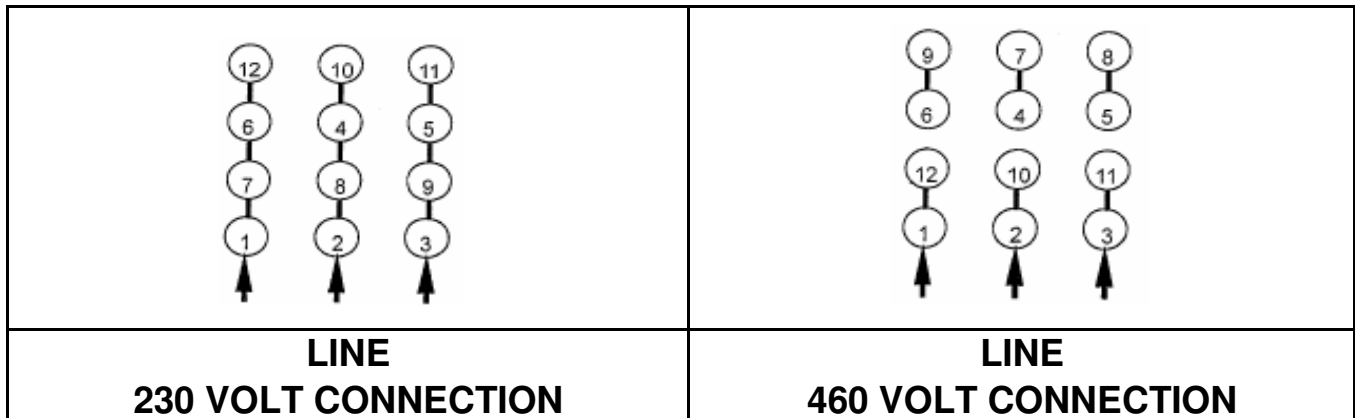
CONNECTION DIAGRAM

CATALOG NO.:
XPV0154C



SCHEMATIC - Δ / Y CONNECTION

ACROSS THE LINE CONNECTION



WYE START-DELTA RUN CONNECTION

