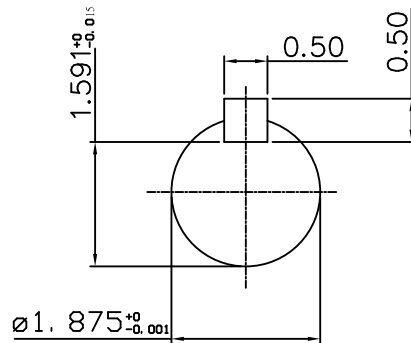
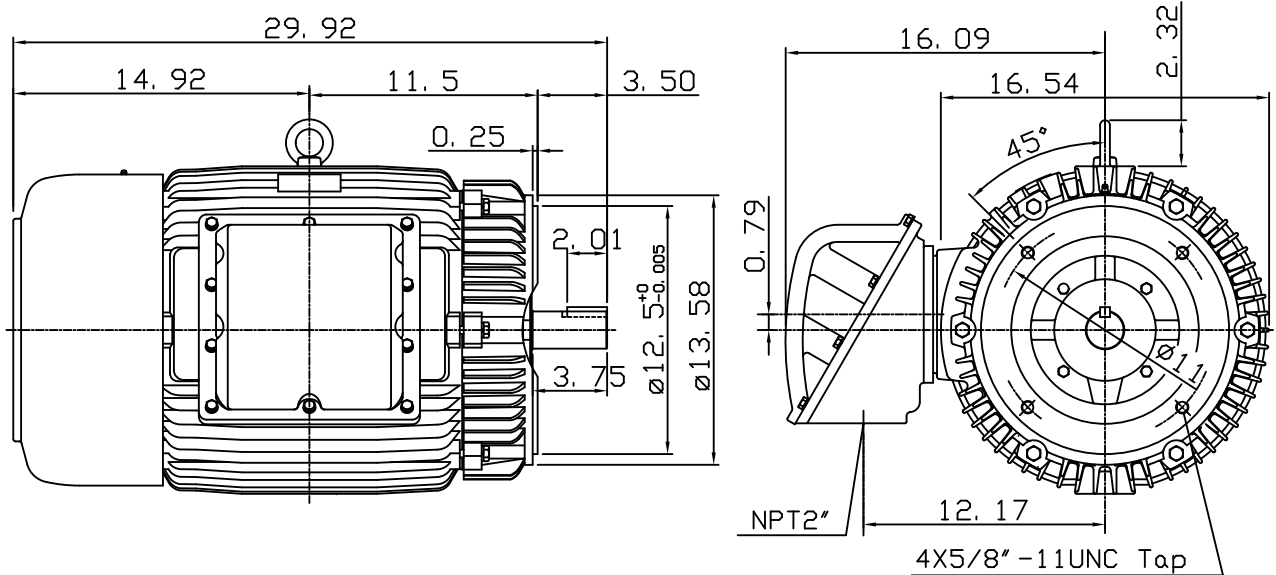


DATE March 5, 2007	OUTLINE DIMENSIONS 3-PHASE INDUCTION MOTOR	MOTOR TYPE: AEUHXG
Cat. #: XPV0502C		FRAME NO. 326TSC

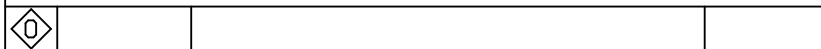
Pole	HP	kW	Hz	VOLT	Syn. Speed r/min(rpm)
2	50	37.3	60	230/460	3600

Ins	Rating	Dimension in	Approx Weight	Bearings	
F	CONT.	inch	766 lbs	DE: 6312C3	NDE: 6212C3

Totally Enclosed Fan Cooled Type. Squirrel-cage Rotor.



Note:
1. Suitable for division I,
class I Group D & class II
Group E, F, G, T2D or T3B.



DWN.	G. L. GUD	05-28-03
CHKD.	C. H. KAO	06-06-03
APPD.	M. C. TSAI	06-06-03

TECO Westinghouse

DWG NO.
31049U563000

TECO Westinghouse

ISSUED July 11, 2018	PERFORMANCE DATA	ENCLOSURE EXPLOSION PROOF
TYPE AEHHXG	3-PHASE INDUCTION MOTOR	CATALOG# XPV0502C

NAMEPLATE INFORMATION

OUTPUT		POLE	FRAME SIZE	VOLTAGE	HZ	RATED AMBIENT	INS. CLASS	NEMA DESIGN	TIME RATING	SERVICE FACTOR
HP	KW									
50	37.3	2	326TS	230/460	60	40°C	F	B	CONT.	1.15

TYPICAL PERFORMANCE

FULL LOAD RPM	EFFICIENCY				POWER FACTOR			MAXIMUM POWER FACTOR CORRECTION
	FULL LOAD		3/4 LOAD	1/2 LOAD	F. L.	3/4 LOAD	1/2 LOAD	
	MIN. %	NOM. %						
3550	92.4	93.6	94	94	91	91	89	6.5 KVAR

CURRENTS

NO LOAD			FULL LOAD			LOCKED ROTOR			NEMA KVA CODE LETTER
AT	AT	AT	AT	AT	AT	AT	AT	AT	
208 VOLT	230 VOLT	460 VOLT	208 VOLT	230 VOLT	460 VOLT	208 VOLT	230 VOLT	460 VOLT	
18.13	16.40	8.20	121.63	110.00	55.00	801.68	725.00	362.50	G

TORQUE

INERTIA

ACCEL TIME

FULL LOAD lb-ft	LOCKED ROTOR %FLT	PULL UP %FLT	BREAK DOWN %FLT	ROTOR WR ² lb-ft ²	NEMA LOAD WK ² lb-ft ²	MAX ALLOWABLE WK ² lb-ft ²	NEMA LOAD WK ² Sec	MAX ALLOWABLE WK ² Sec
73.95	185	115	240	4.488	49	88.00	4.20	7.27

SAFE STALL TIME IN SECONDS

ALLOWABLE STARTS PER HOUR

SOUND PRESSURE LEVEL @ 3 FT dB(A)

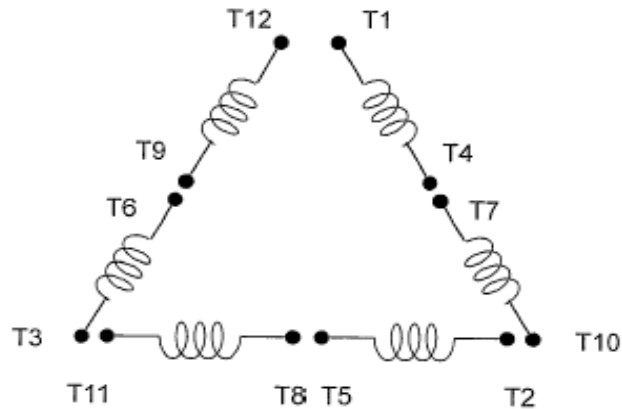
COLD	HOT	COLD	HOT	78
17	12	2	1	

APPROVED:	M. PRATER	DRAWING NO.	31057XPV0502C	REVISION 0
-----------	------------------	-------------	----------------------	-------------------

DATE:
September 13, 2006

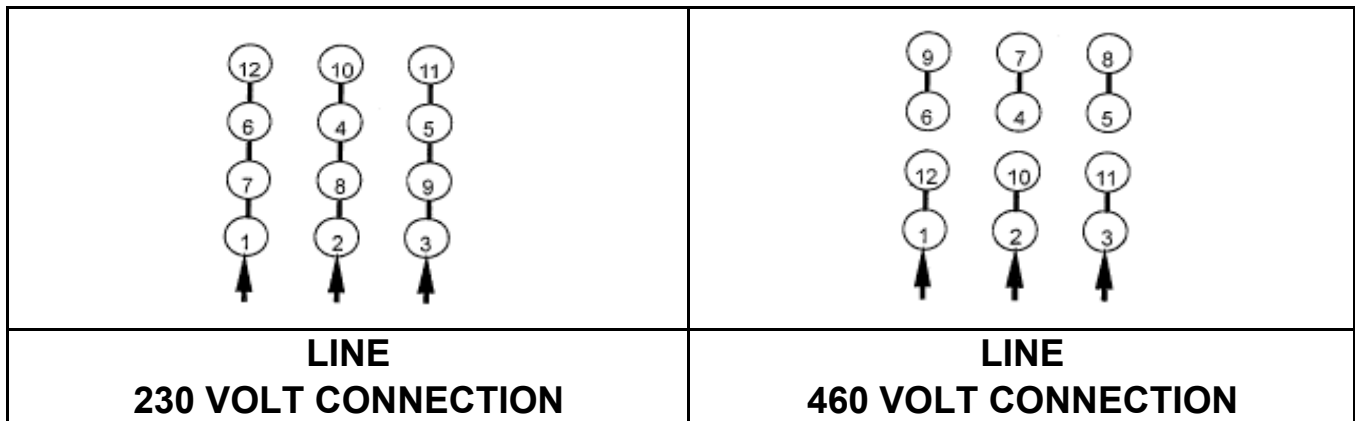
CONNECTION DIAGRAM

CATALOG NO.:
XPV0502C



SCHEMATIC - Δ / Y CONNECTION

ACROSS THE LINE CONNECTION



WYE START-DELTA RUN CONNECTION

