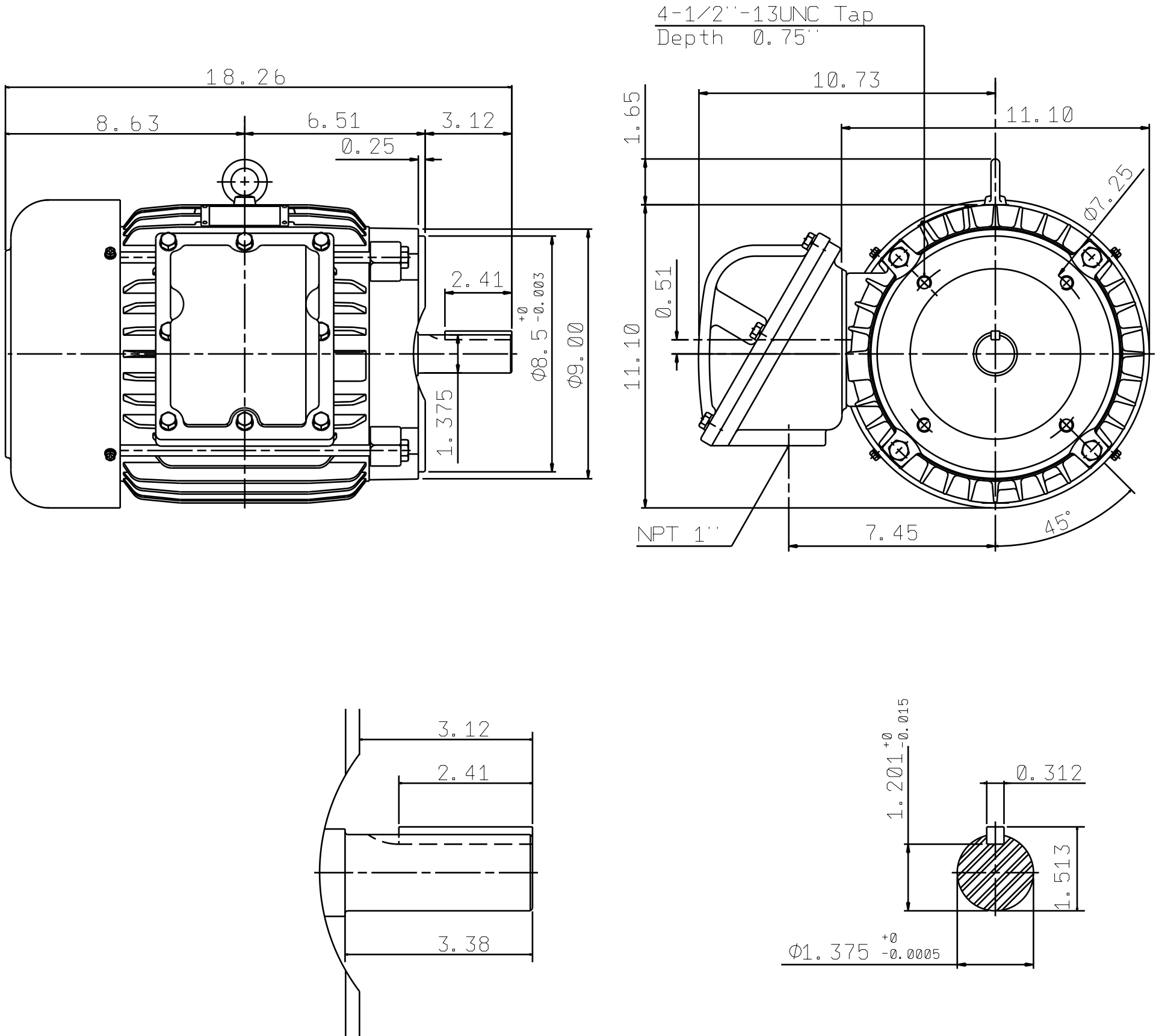


DATE MAY 11. 2015	OUTLINE DIMENSIONS 3-PHASE INDUCTION MOTOR	MOTOR TYPE: AEUHXG
CATALOG NO. XPV7/52C		FRAME NO. 213TC

Pole	HP	KW	Hz	VOLT	Syn. Speed r/min(rpm)
2	7.5	5.6	60	230/460	3600

Ins	Rating	Dimension in	Approx Weight	Bearings
F	CONT.	inches	235 lbs.	DE: 6308ZZ NDE: 6306ZZ

Totally Enclosed Fan-Cooled Type. Squirrel-Cage Rotor.



NOTE:
1. EXPLOSION PROOF:
 CLASS I, DIV 1, GROUP C+D,
 CLASS II, DIV 1 and 2, GROUP
 E,F,G.

	DWN.	J. H. LIANG	11.28.00		DWG NO. XPV7/52C
	CHKD.	C. S. LO	03.22.01		
	APPD.	Y. B. HUANG	03.22.01		

TECO Westinghouse

ISSUED July 10, 2018	PERFORMANCE DATA	ENCLOSURE EXPLOSION PROOF
TYPE AEHHXG	3-PHASE INDUCTION MOTOR	CATALOG# XPV7/52C

NAMEPLATE INFORMATION

OUTPUT		POLE	FRAME SIZE	VOLTAGE	HZ	RATED AMBIENT	INS. CLASS	NEMA DESIGN	TIME RATING	SERVICE FACTOR
HP	KW									
7.5	5.6	2	213TC	230/460	60	40°C	F	B	CONT.	1.15

TYPICAL PERFORMANCE

FULL LOAD RPM	EFFICIENCY				POWER FACTOR			MAXIMUM POWER FACTOR CORRECTION
	FULL LOAD		3/4 LOAD %	1/2 LOAD %	F. L. %	3/4 LOAD %	1/2 LOAD %	
	MIN. %	NOM. %						
3500	87.5	89.5	90	89.5	87	84	76	2.3 KVAR

CURRENTS

NO LOAD			FULL LOAD			LOCKED ROTOR			NEMA KVA CODE LETTER
AT	AT	AT	AT	AT	AT	AT	AT	AT	
208 VOLT	230 VOLT	460 VOLT	208 VOLT	230 VOLT	460 VOLT	208 VOLT	230 VOLT	460 VOLT	
6.37	5.76	2.88	19.95	18.04	9.02	140.43	127.00	63.50	H

TORQUE

INERTIA

ACCEL TIME

FULL LOAD lb-ft	LOCKED ROTOR %FLT	PULL UP %FLT	BREAK DOWN %FLT	ROTOR WR ² lb-ft ²	NEMA LOAD WK ² lb-ft ²	MAX ALLOWABLE WK ² lb-ft ²	NEMA LOAD WK ² Sec	MAX ALLOWABLE WK ² Sec
11.25	245	230	305	0.412	8.3	18.00	3.51	7.41

SAFE STALL TIME IN SECONDS

ALLOWABLE STARTS PER HOUR

SOUND PRESSURE LEVEL @ 3 FT dB(A)

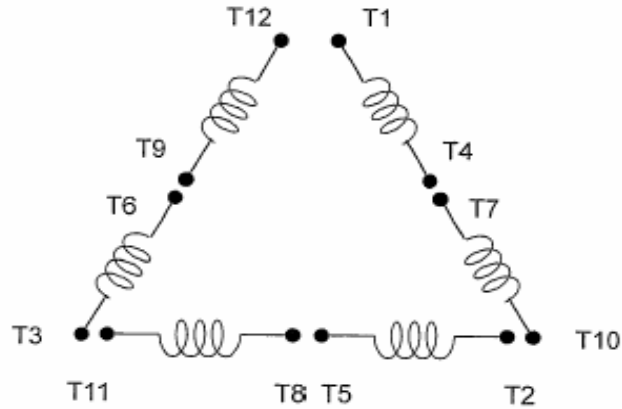
COLD		HOT		70
17	12	2	1	

APPROVED:	M. PRATER	DRAWING NO.	31057XPV7/52C	REVISION 0
-----------	------------------	-------------	----------------------	-------------------

DATE:
May 13, 2016

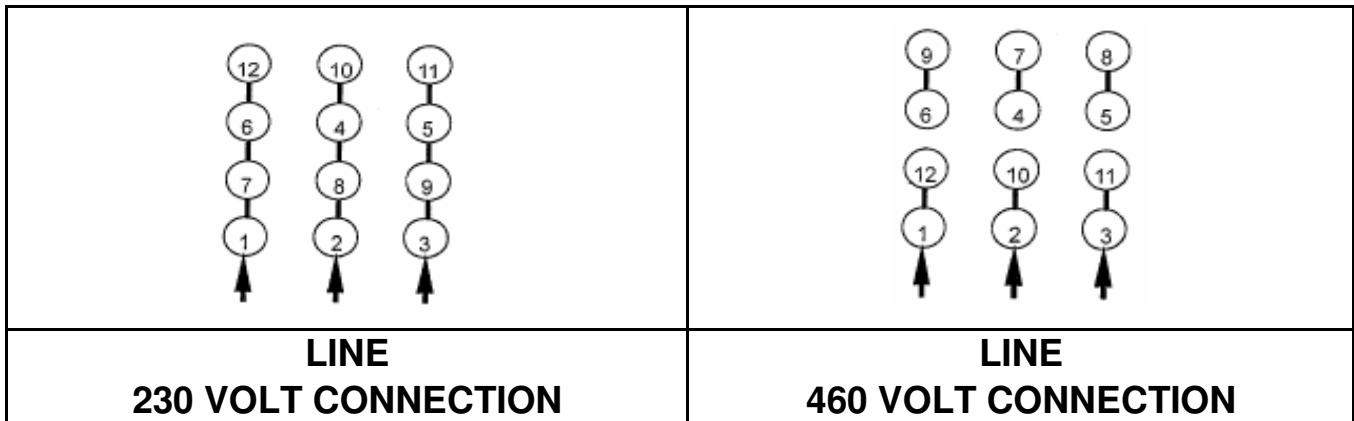
CONNECTION DIAGRAM

CATALOG NO.:
XPV7/52C



SCHEMATIC - Δ / Y CONNECTION

ACROSS THE LINE CONNECTION



WYE START-DELTA RUN CONNECTION

