

BALDOR® • RELIANCE 

Product Information Packet

XT3012T-5

1HP,3450RPM,3PH,60HZ,143T,0516M,TEFC,F1

Part Detail							
Revision:	-	Status:	PRD/A	Change #:		Proprietary:	No
Type:	AC	Elec. Spec:	05WGW060	CD Diagram:	CD0006	Mfg Plant:	
Mech. Spec:		Layout:	05LY-000-377	Poles:	02	Created Date:	05-24-2021
Base:		Eff. Date:	07-08-2021	Leads:	3#18		

Specs			
Catalog Number:	XT3012T-5	Heater Indicator:	No Heater
Enclosure:	TEFC	Insulation Class:	F
Frame:	143T	Inverter Code:	Inverter Duty
Frame Material:	Iron	IP Rating:	NONE
Output @ Frequency:	1.000 HP @ 60 HZ	KVA Code:	L
Synchronous Speed @ Frequency:	3600 RPM @ 60 HZ	Lifting Lugs:	No Lifting Lugs
Voltage @ Frequency:	575.0 V @ 60 HZ	Locked Bearing Indicator:	No Locked Bearing
XP Class and Group:	CLI GP A,B,C,D	Motor Lead Termination:	Flying Leads
XP Division:	Division II	Motor Type:	0516M
Agency Approvals:	CCSA US	Mounting Arrangement:	F1
	CSA EEV	Power Factor:	82
	NEMA PREMIUM	Product Family:	General Purpose
	UR	Pulley Face Code:	Standard
Auxillary Box:	No Auxillary Box	Rodent Screen:	None
Auxillary Box Lead Termination:	None	Shaft Ground Indicator:	No Shaft Grounding
Base Indicator:	Rigid	Shaft Rotation:	Reversible
Bearing Grease Type:	Polyrex EM (-20F +300F)	Speed Code:	Single Speed
Blower:	None	Motor Standards:	NEMA

Constant Torque Speed Range:	6	Starting Method:	Direct on line
Current @ Voltage:	1.100 A @ 575.0 V	Thermal Device - Bearing:	None
Design Code:	B	Thermal Device - Winding:	None
Drip Cover:	No Drip Cover	Vibration Sensor Indicator:	No Vibration Sensor
Duty Rating:	CONT	Winding Thermal 1:	None
Electrically Isolated Bearing:	Not Electrically Isolated	Winding Thermal 2:	None
Feedback Device:	NO FEEDBACK	XP Temp Code:	T4

Nameplate NP4224L					
CAT.NO.	XT3012T-5		I.P.	54	
SPEC.	05-0000-0978		ENCL	TEFC	
FRAME	143T	H.P.	1	T. CODE	T4
VOLTS	575	P.F.	82		
F.L. AMPS	1.1	RATING	40C AMB-CONT		
R.P.M.	3450	USABLE AT 208V			
HZ.	60	PH.	3	CLASS	F
SER.F.	1.00	DES.	B	SL HZ	2
NEMA NOM. EFF.	84	Wk2	0.05		
DE	6205	ODE	6203		
MAG. CUR.	.55				
INV TYPE	PWM	CHP	60	TO	90
CT	6	TO	60	VT	6
CC	010A	SN			
	1.15 SF ON SINE WAVE				
	SFA 1.2				
				INV TEMP CODE	T4

Parts List		
Part Number	Description	Quantity
SA395128	SA 05-0000-0978	1.000 EA
RA385852	RA 05-0000-0978	1.000 EA
LB1115N	LABEL,LIFTING DEVICE (ON ROLLS)	1.000 EA
LB1119N	WARNING LABEL	1.000 EA
LC0006	CONNECTION LABEL	1.000 EA
LB1449	DIV-2/NEC WARNING LABEL	1.000 EA
NP4224L	SS CP INV DIV-2 UL CSA-C US EEV PREM, DI	1.000 EA
85XU0407S04	4X1/4 U DRIVE PIN STAINLESS	1.000 EA
MN416A01	TAG-INSTAL-MAINT no wire (2100/bx) 4/22	1.000 EA
HW3201A05	3/8-16 EYEBOLT	1.000 EA
35FH4005A32SP	IEC FH NO GRSR W/3 HOLES - PRIMED	1.000 EA
51XW1032A06	10-32 X .38, TAPTITE II, HEX WSHR SLTD S	3.000 EA
34FN3002B01	EXTERNAL FAN, PLASTIC, .637/.639 HUB W/	1.000 EA
51XB0818A12	8-18X3/4 HXWSSLD SERTYB	1.000 EA
MJ1000A02	GREASE, MOBIL POLYREX EM - 124047	0.050 LB
HA3100A37	THRUBOLT 10-32 X 8.500	4.000 EA
XY1032A02	10-32 HEX NUT DIRECTIONAL SERRATION	4.000 EA
35EP3122K00	MASTER ODE,203 BRG,.683SH,#26 DRN,FH MTG	1.000 EA
HW4600B39SP	V-RING SLINGER 0.550 X 0.790 X .18 VITON	1.000 EA
HW5100A03	WAVY WASHER (W1543-017)	1.000 EA
HA4067A01	PUSH IN DRAIN FITTING (BLACK)	1.000 EA
35EP3123A00	MASTER DE,205 BRG,.998SH,#26 DRN	1.000 EA
HW4600B32SP	V-RING SLINGER 1.000 X 1.540 X .24 VITON	1.000 EA
HA4067A01	PUSH IN DRAIN FITTING (BLACK)	1.000 EA

Parts List (continued)		
Part Number	Description	Quantity
06CB3000	BALDOR CONDUIT BOX CAST	1.000 EA
06GS1000	GASKET,CONDUIT BOX	1.000 EA
51XW2520A12	SCREW, HEX SER SLT HD, ZN, 1/4-20 X .75	2.000 EA
11XW1032G06	10-32 X .38, TAPTITE II, HEX WSHR SLTD U	1.000 EA
HW3001B02	BRASS CUP WASHER W/GROUND SYMBOL TAB,	1.000 EA
06CB3500	BALDOR CONDUIT BOX LID	1.000 EA
06GS1001	BALDOR CONDUIT BOX GASKET	1.000 EA
51XW2520A12	.25-20 X .75, TAPTITE II, HEX WSHR SLTD	2.000 EA
MG1025L14	WILKOFASST, 776.14, GRUNDFOS BLACK	0.125 GA
36PA1000	PKG GRP, PRINT PK1016A06	1.000 EA
HW2501D13	KEY, 3/16 SQ X 1.375	1.000 EA
HA7000A01	KEY RETAINER 7/8" DIA SHAFT	1.000 EA
FE-0000001	ZRTG FE ASSEMBLY	1.000 EA
PE-0000001	ZRTG PE ASSEMBLY	1.000 EA

AC Induction Motor Performance Data

Record # 51089

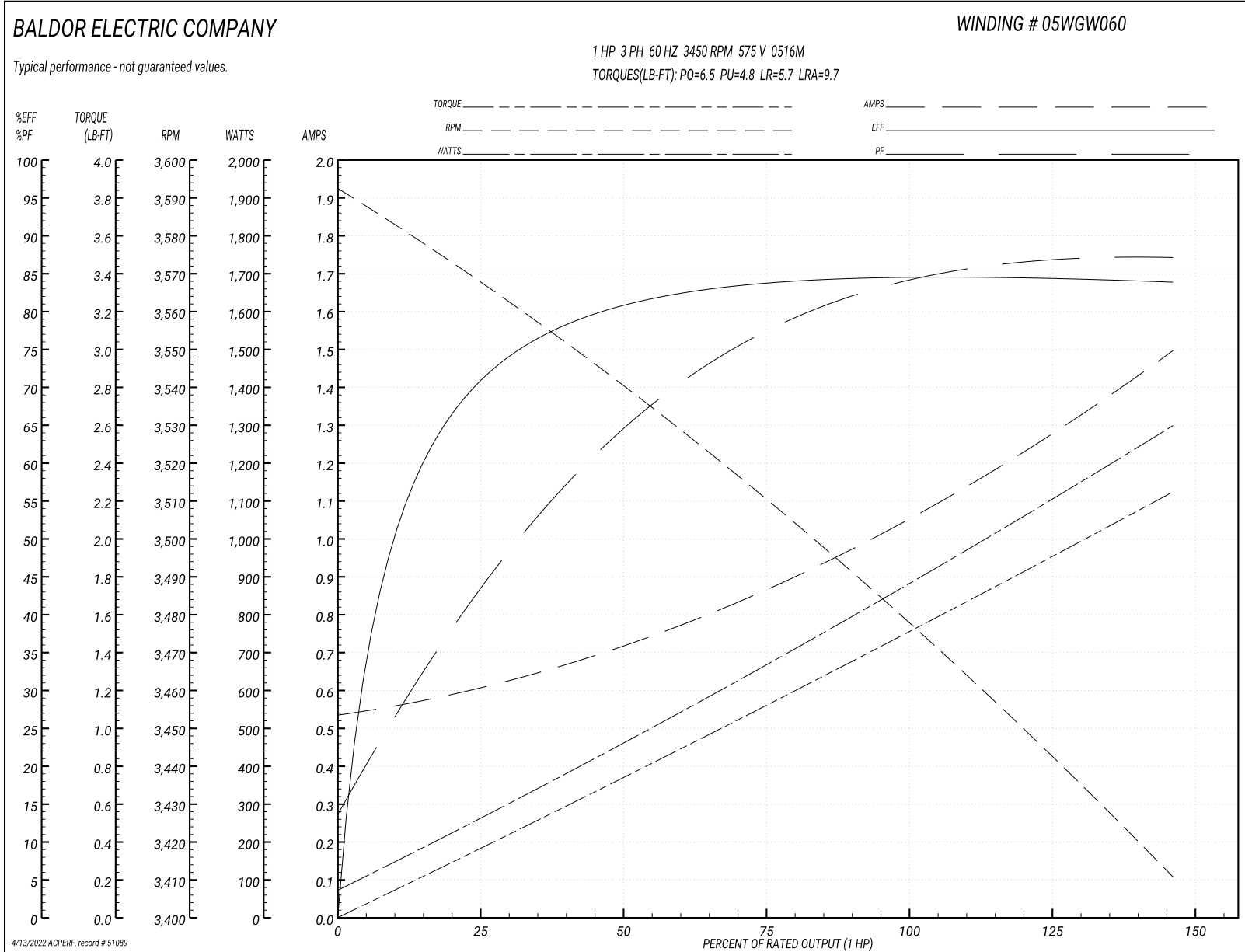
Typical performance - not guaranteed values

Winding: 05WGW060-R004		Type: 0516M		Enclosure: TEAO	
Nameplate Data			575 V, 60 Hz: Single Voltage Motor		
Rated Output (HP)	1	Full Load Torque	1.5 LB-FT		
Volts	575	Start Configuration	direct on line		
Full Load Amps	1.1	Breakdown Torque	6.5 LB-FT		
R.P.M.	3450	Pull-up Torque	4.8 LB-FT		
Hz	60 Phase	3	Locked-rotor Torque	5.7 LB-FT	
NEMA Design Code	B KVA Code	L	Starting Current	9.7 A	
Service Factor (S.F.)	1.15	No-load Current	0.54 A		
NEMA Nom. Eff.	84 Power Factor	82	Line-line Res. @ 25°C	24.1 Ω	
Rating - Duty	40C AMB-CONT		Temp. Rise @ Rated Load		
			Locked-rotor Power Factor	56.4	
			Rotor inertia	0.0443 LB-FT ²	

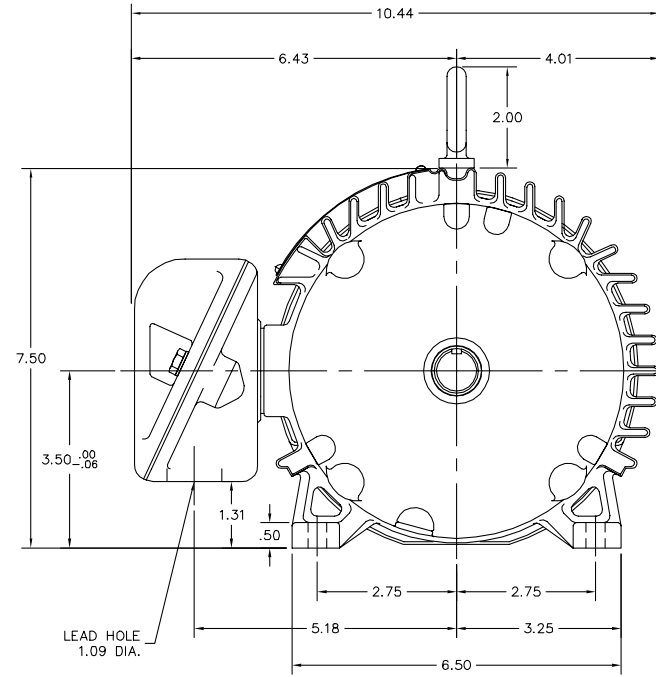
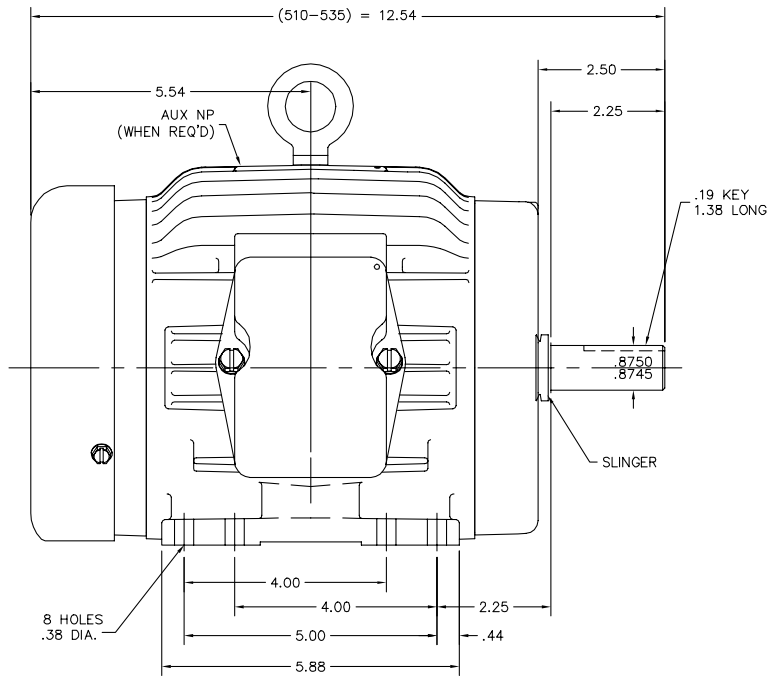
Load Characteristics 575 V, 60 Hz, 1 HP

% of Rated Load	25	50	75	100	125	150	S.F.
Power Factor	45	65	77	83	87	87	85
Efficiency	70.4	80.6	84	84.6	84.7	83.7	84.7
Speed	3567	3539	3510	3479	3446	3410	3459
Line amperes	0.6	0.72	0.87	1.06	1.25	1.5	1.17

Performance Graph at 575V, 60Hz, 1.0HP Typical performance - Not guaranteed values



05LY-000-377



05LY-000-377

CUSTOMER IS RESPONSIBLE FOR DETERMINING THAT THE PRODUCT WILL PERFORM SUITABLY IN THE INTENDED APPLICATION.

REV. DESC: NEW	VERSION: 00	TDR: 000001146643
REV. LTR: -	REVISED: 01:59:08 09/09/2020	BY: ENROBRO
FILE: \AAA\00255\663		
MTL: -		

BALDOR - RELIANCE[®]
 HORZ TEFC 143-5T 305M W/SEALED BRGS
 SH 1 of 1

CD0006



NOTES:

1. THREE LEAD MOTOR MAY BE EITHER WYE CONNECTED OR DELTA CONNECTED.
2. INTERCHANGE ANY TWO LINE LEADS TO REVERSE ROTATION.
3. OPTIONAL THERMOSTATS ARE PROVIDED WHEN SPECIFIED.
4. ACTUAL NUMBER OF INTERNAL PARALLEL CIRCUITS MAY VARY.
5. LEAD COLORS ARE OPTIONAL. LEADS MUST BE NUMBERED AS SHOWN.

CD0006

REV. DESC: ADD CLASS CONN00000007		
REV. LTR: E	VERSION: 01	TDR: 000001099922
FILE: \AAA\00005\141	REVISED: 10:24:49 02/19/2019	BY: ENBRIRO
MTL: -	© □	

BALDOR - RELIANCE®

3PH, SV, 3 LEADS, WYE OR DELTA CONNECTED

SH 1 of 1

Marketing maintained PDF of MN416:

<http://www.baldor.com/support/Literature/Load.ashx/MN416?ManNumber=MN416>